



US00D974339S

(12) **United States Design Patent**
Miller et al.

(10) **Patent No.:** **US D974,339 S**
(45) **Date of Patent:** **** Jan. 3, 2023**

- (54) **ANTENNA PEDESTAL**
- (71) Applicant: **Sensormatic Electronics, LLC**, Boca Raton, FL (US)
- (72) Inventors: **Channing Everett Miller**, Fort Lauderdale, FL (US); **John Chih Yuan Huang**, Boca Raton, FL (US); **Kelvin Lee Hunter**, Lake Worth, FL (US); **Eric Floyd Riggert**, Trabuco Canyon, CA (US)
- (73) Assignee: **SENSORMATIC ELECTRONICS, LLC**, Boca Raton, FL (US)
- (**) Term: **15 Years**
- (21) Appl. No.: **29/670,698**
- (22) Filed: **Nov. 19, 2018**
- (51) **LOC (14) Cl.** **14-03**
- (52) **U.S. Cl.**
USPC **D14/238**
- (58) **Field of Classification Search**
USPC D14/137, 148, 155, 167, 168, 230–238,
D14/240, 242, 265, 299, 343, 358
CPC H01Q 7/00; H01Q 13/10; H01Q 19/30;
H01Q 19/12
See application file for complete search history.

D473,219 S *	4/2003	Raymond	D14/230
D664,127 S *	7/2012	Yang	D14/230
D678,794 S *	3/2013	Eckert	D14/230
D683,720 S *	6/2013	Quinlan	D14/230
D715,260 S *	10/2014	Kim	D14/213
9,461,354 B2 *	10/2016	Günter	H01Q 7/00
D775,110 S *	12/2016	Tsen	D14/230
D783,005 S *	4/2017	Perez	D14/230
D786,837 S *	5/2017	Tsen	D14/230
D870,083 S *	12/2019	Zhao	D14/230
10,497,240 B2 *	12/2019	Alexis	H01Q 1/002
10,776,595 B2 *	9/2020	Miller	G08B 13/2434
D920,296 S *	5/2021	Perez	D14/230

* cited by examiner

Primary Examiner — Keli L Hill

Assistant Examiner — Harold E Blackwell, II

(74) *Attorney, Agent, or Firm* — ArentFox Schiff LLP

(57) **CLAIM**

The ornamental design for an antenna pedestal, as shown and described.

DESCRIPTION

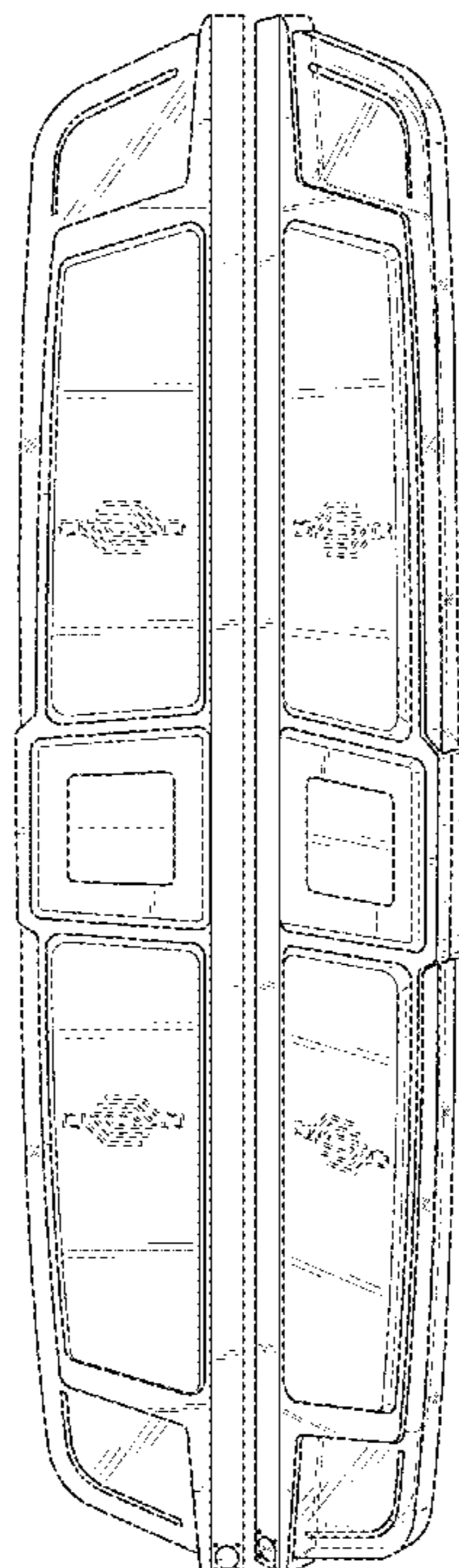
FIG. 1 is a right side elevation view of the new design; FIG. 2 is a left side elevation view of the design shown in FIG. 1; FIG. 3 is a perspective view of the design shown in FIG. 1; FIG. 4 is another perspective view of the design shown in FIG. 1; and, FIG. 5 is a front view of the design shown in FIG. 1. The broken lines shown in the figures are included for the purpose of illustrating portions of the antenna pedestal and form no part of the claimed design. The rear of the antenna pedestal forms no part of the claimed design.

1 Claim, 4 Drawing Sheets

(56) **References Cited**

U.S. PATENT DOCUMENTS

D344,731 S *	3/1994	Witzky	D14/230
D350,963 S *	9/1994	Witzky	D14/230
D354,060 S *	1/1995	Witzky	D14/230



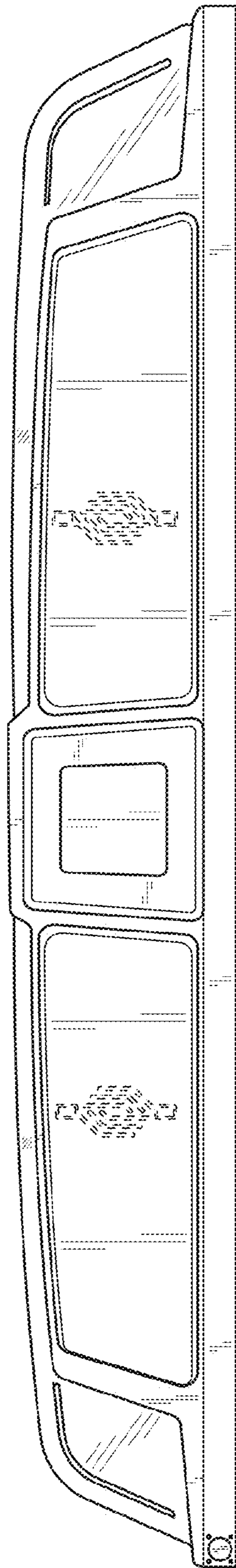


FIG. 1

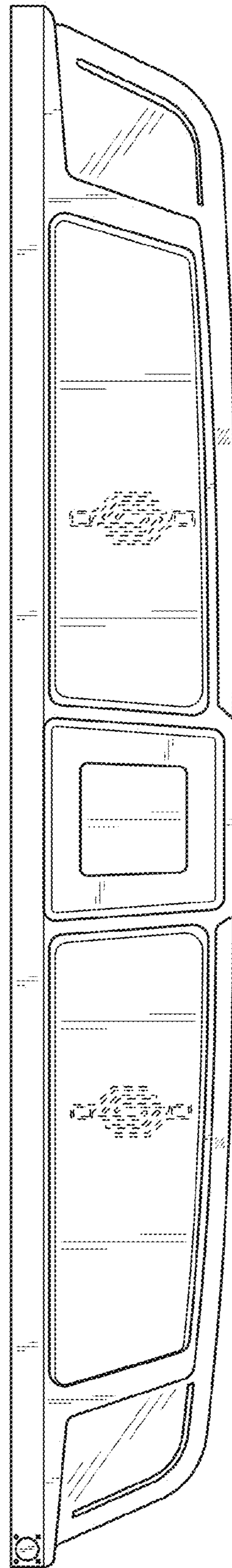


FIG. 2

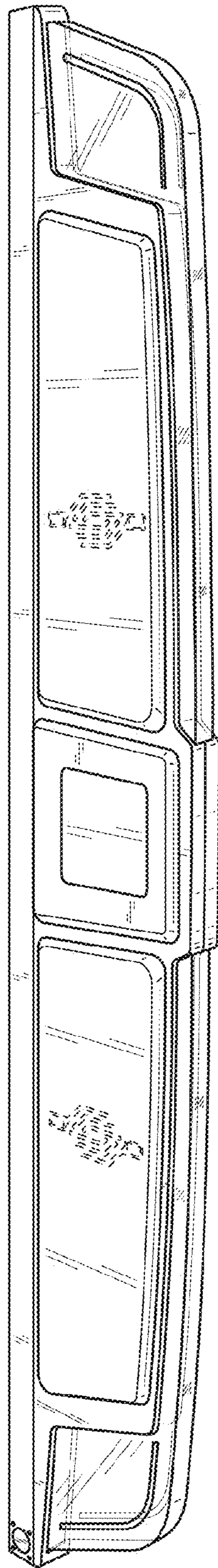


FIG. 3

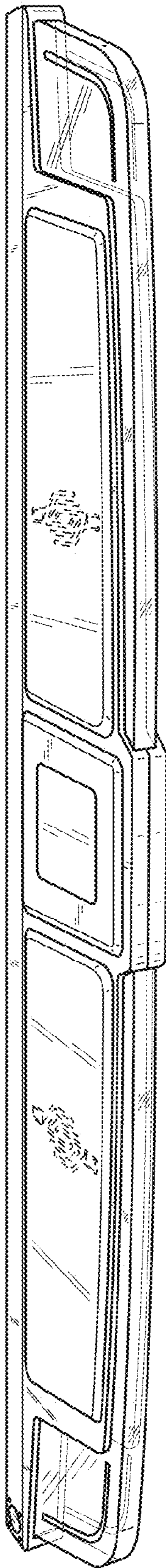


FIG. 4



FIG. 5