

US00D974335S

(12) **United States Design Patent** (10) **Patent No.:** **US D974,335 S**
Ma (45) **Date of Patent:** **** Jan. 3, 2023**

(54) **WIRELESS EARPHONE**
(71) Applicant: **SHENZHEN NA YIN TECHNOLOGY CO., LTD.**, Shenzhen (CN)
(72) Inventor: **Shaowu Ma**, Shenzhen (CN)
(73) Assignee: **SHENZHEN NA YIN TECHNOLOGY CO., LTD.**, Shenzhen (CN)

D878,338 S * 3/2020 Yang D14/223
D881,850 S * 4/2020 Zhang D14/223
D890,726 S * 7/2020 Park D14/223
D902,891 S * 11/2020 Liu D14/223
D904,761 S * 12/2020 Koneru D3/274
D904,762 S * 12/2020 Koneru D3/274
D904,901 S * 12/2020 Koneru D9/721
D907,608 S * 1/2021 Xie D14/223
D912,015 S * 3/2021 Xie D14/223
D920,959 S * 6/2021 Cai D14/223
D928,123 S * 8/2021 Gao D14/223

* cited by examiner

(**) Term: **15 Years**

Primary Examiner — Katie Jane Stofko

(21) Appl. No.: **29/783,894**

(22) Filed: **May 17, 2021**

(57) **CLAIM**

(51) **LOC (14) Cl.** **14-01**
(52) **U.S. Cl.**
USPC **D14/223**

The ornamental design for a wireless earphone, as shown and described.

(58) **Field of Classification Search**
USPC D14/223, 205, 206; D24/174, 217, 218;
128/864, 865, 866; 181/129, 130, 135;
379/430, 431; 381/380, 381, 322-324,
381/330; 455/90.3, 575, 1, 569.1;
D9/415, 432, 721; D3/274, 294;
D13/108
CPC H04R 1/10; H04R 25/00; H04R 1/1016;
H04R 1/1066; H04R 5/033; H04R
5/0335; H04R 1/1091; H04R 1/1058;
H04R 1/105; H04R 1/1083
See application file for complete search history.

DESCRIPTION

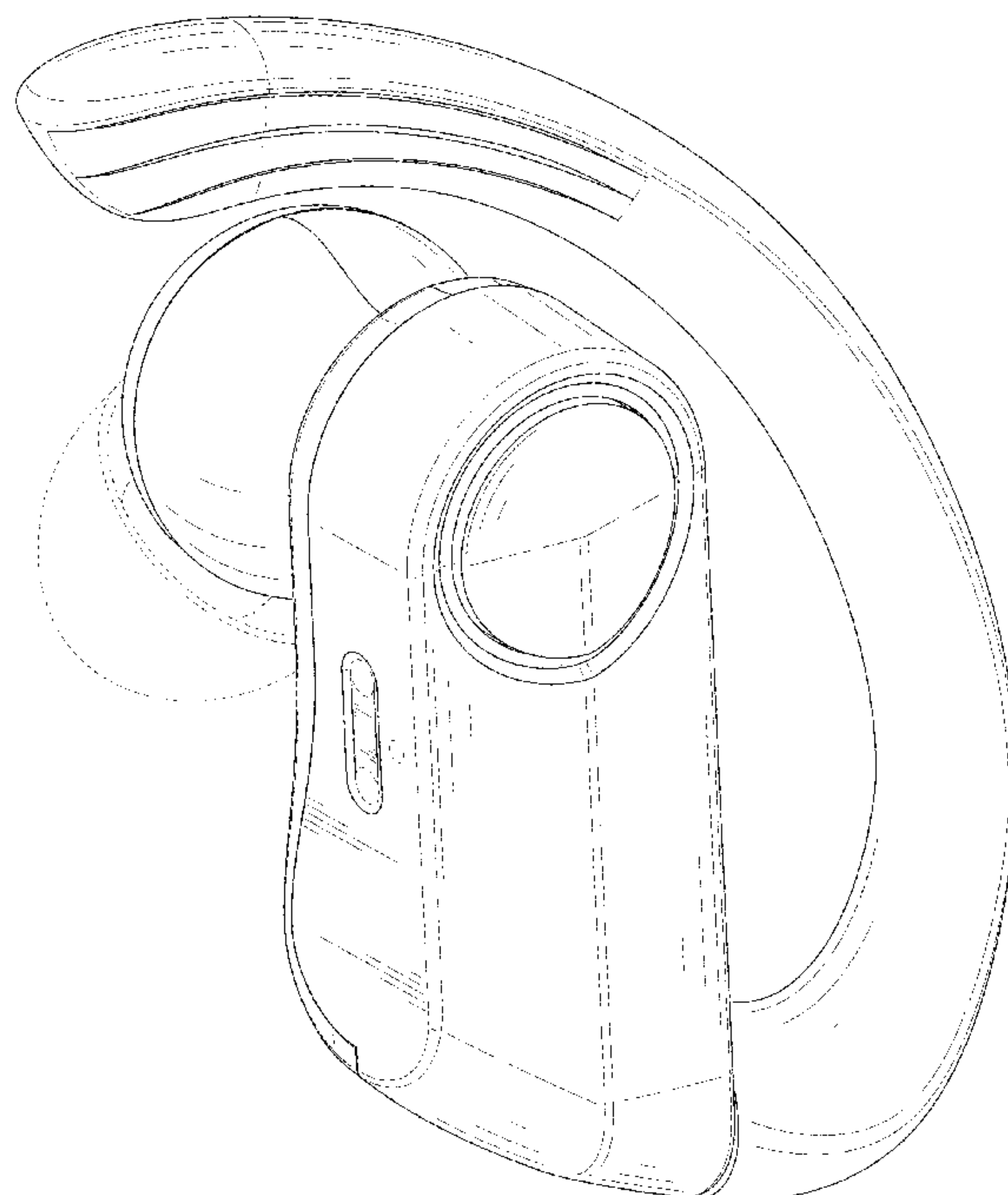
FIG. 1 is a front, top and left side perspective view of a wireless earphone showing my new design;
FIG. 2 is a rear, bottom and right side perspective view thereof;
FIG. 3 is a front elevational view thereof;
FIG. 4 is a rear elevational view thereof;
FIG. 5 is a left side elevational view thereof;
FIG. 6 is a right side elevational view thereof;
FIG. 7 is a top plan view thereof; and,
FIG. 8 is a bottom plan view thereof.
The broken lines in the drawings depict portions of the wireless earphone that form no part of the claimed design.

(56) **References Cited**

U.S. PATENT DOCUMENTS

D817,305 S * 5/2018 Hsieh D14/206
D849,401 S * 5/2019 Akana D3/274

1 Claim, 8 Drawing Sheets



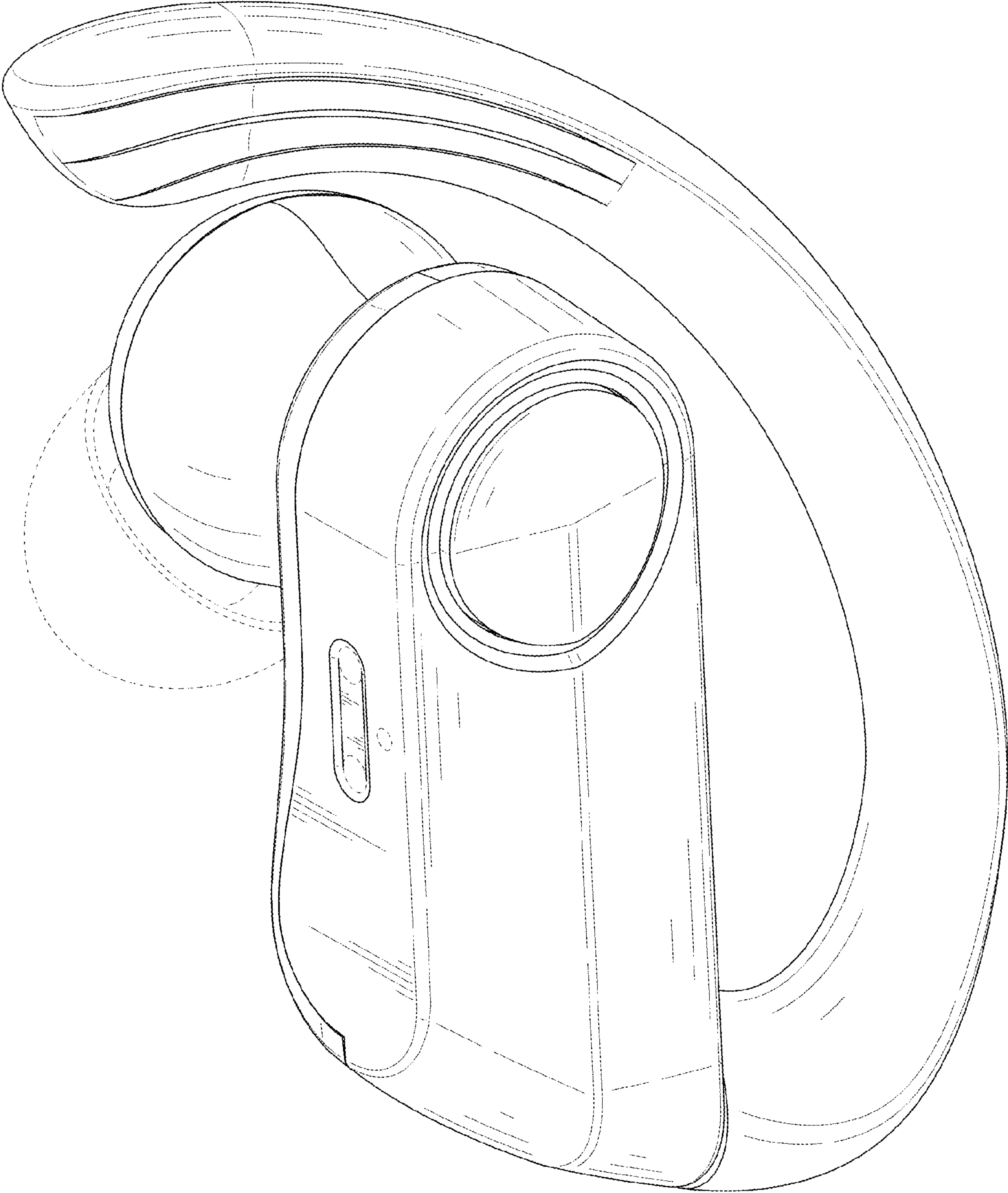


FIG. 1

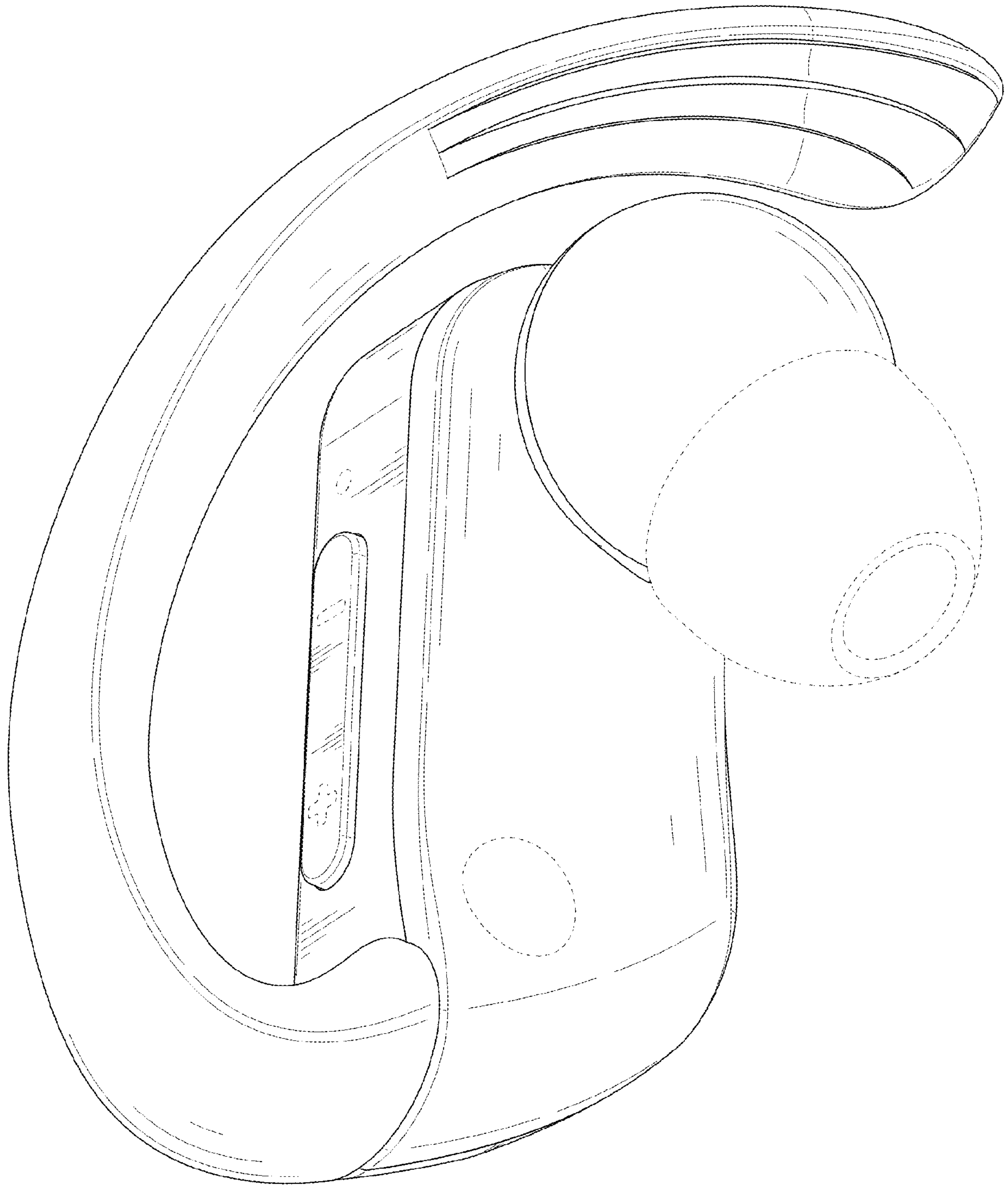


FIG. 2

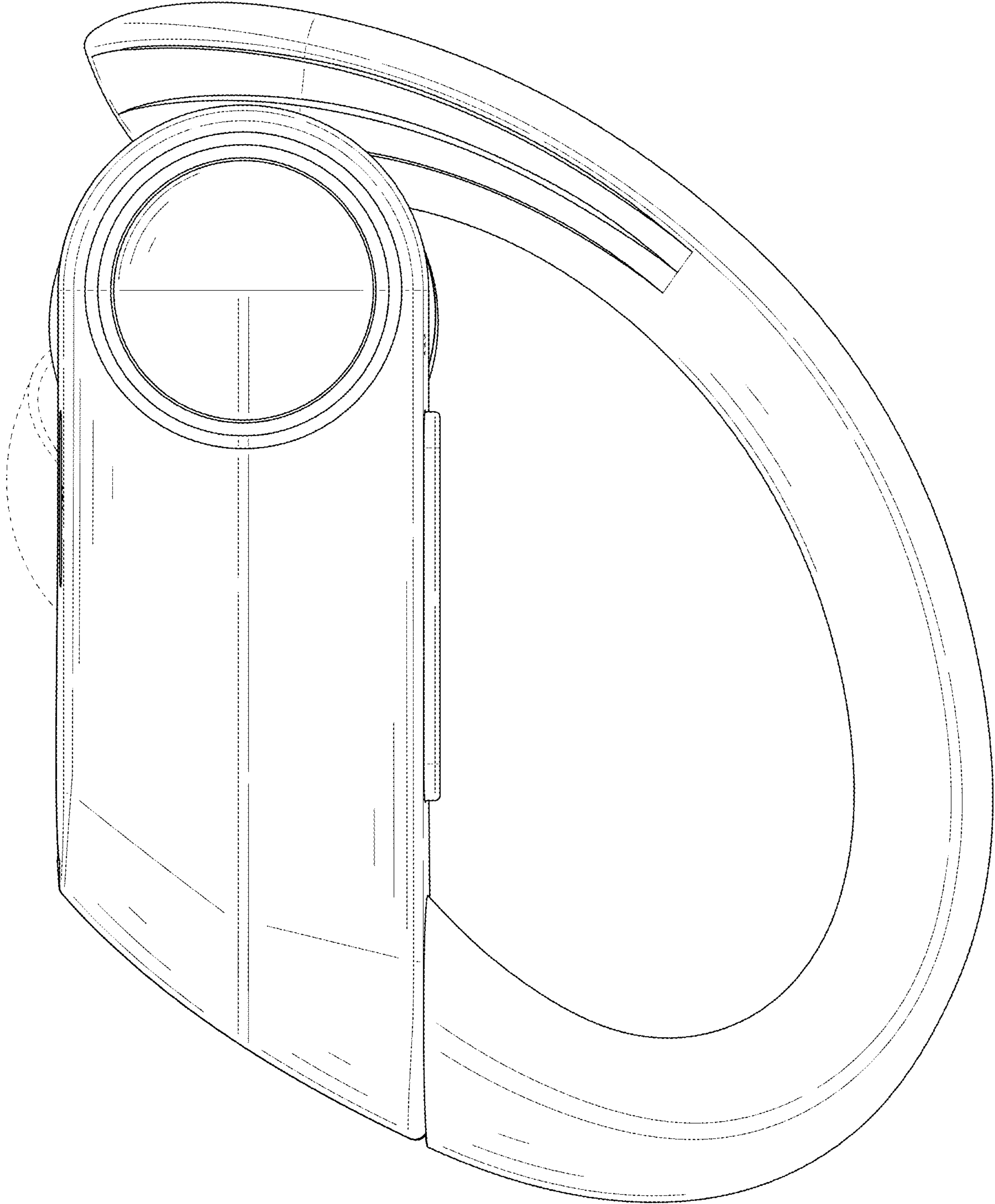


FIG. 3

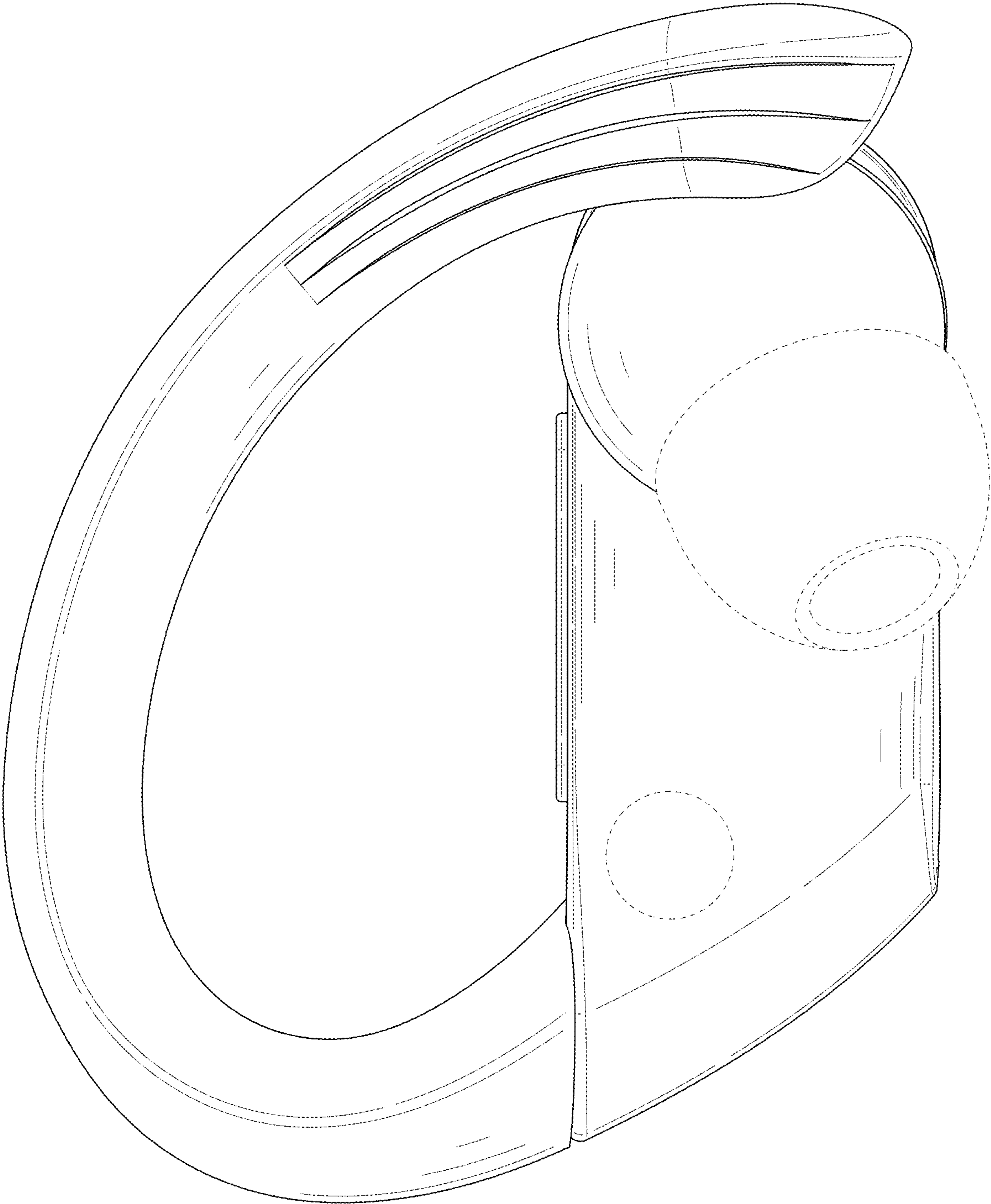


FIG. 4

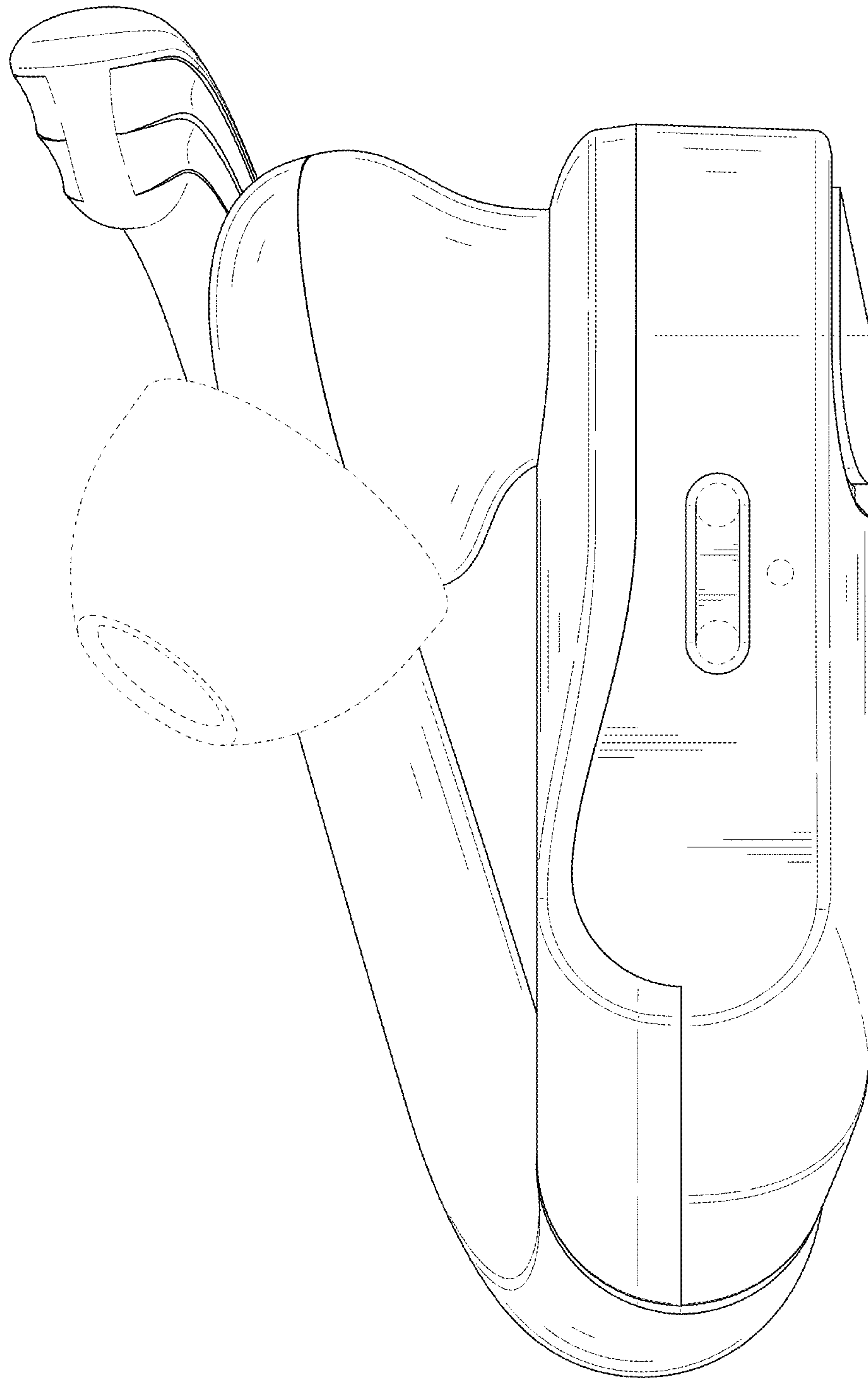


FIG. 5

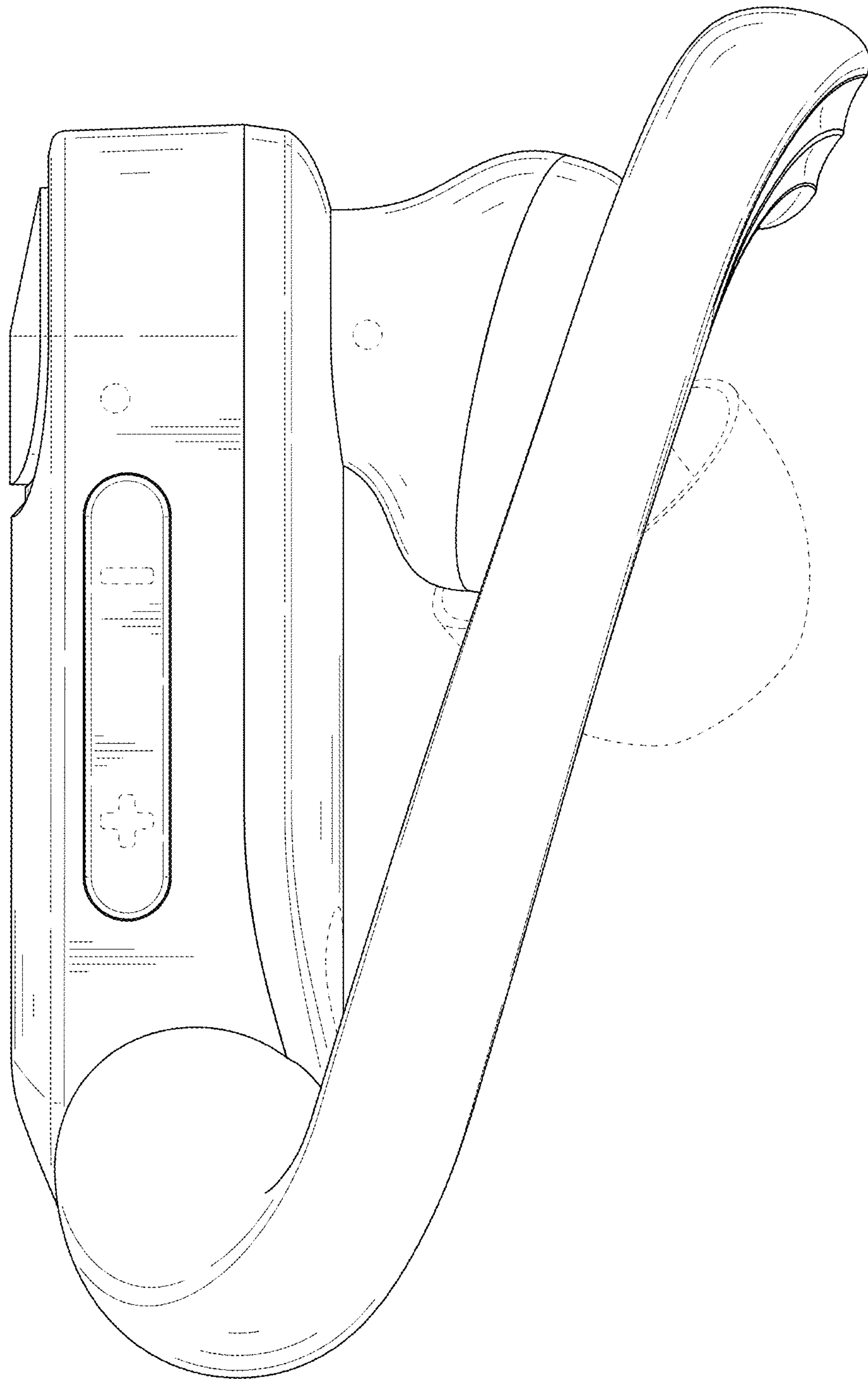


FIG. 6

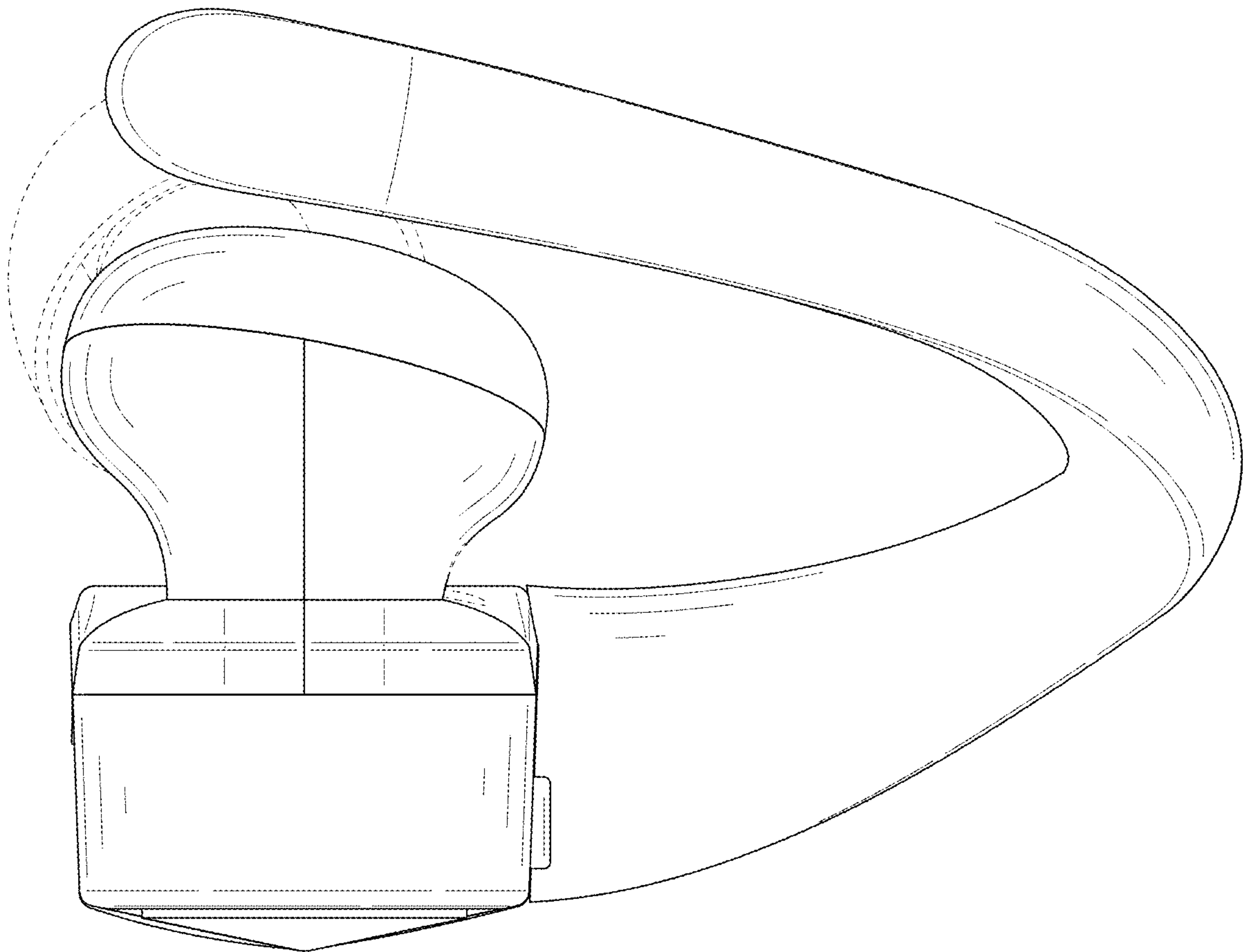


FIG. 7

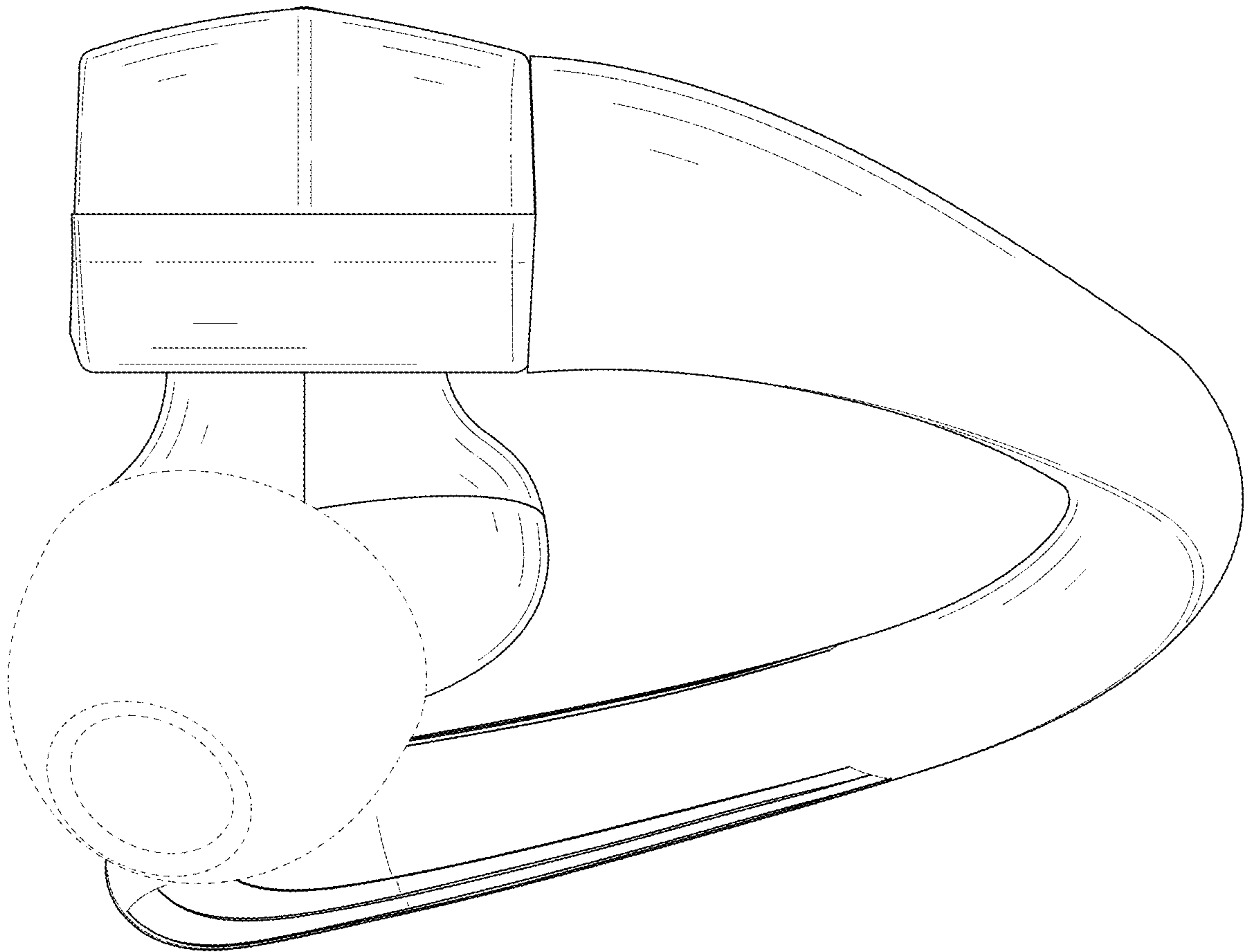


FIG. 8