



US00D974334S

(12) **United States Design Patent**
He et al.

(10) **Patent No.:** **US D974,334 S**

(45) **Date of Patent:** **** Jan. 3, 2023**

(54) **WIRELESS EARPHONE**

(71) Applicant: **Shenzhen Thousandshores Technology Co., Ltd.**, Shenzhen (CN)

(72) Inventors: **Ding He**, Shenzhen (CN); **Zhi Liu**, Shenzhen (CN); **Zhenxing Pi**, Shenzhen (CN)

(73) Assignee: **Shenzhen Thousandshores Technology Co., Ltd.**, Shenzhen (CN)

(**) Term: **15 Years**

(21) Appl. No.: **29/783,244**

(22) Filed: **May 12, 2021**

(51) **LOC (14) Cl.** **14-01**

(52) **U.S. Cl.**
USPC **D14/223**

(58) **Field of Classification Search**
USPC D14/223, 205, 206; D24/174, 217, 218;
128/864, 865, 866; 181/129, 130, 135;
379/430, 431; 381/380, 381, 322-324,
381/330; 455/90.3, 575, 1, 569.1;
D9/415, 432, 721; D3/274, 294;
D13/108

CPC H04R 1/10; H04R 25/00; H04R 1/1016;
H04R 1/1066; H04R 5/033; H04R
5/0335; H04R 1/1091; H04R 1/1058;
H04R 1/105; H04R 1/1083

See application file for complete search history.

(56) **References Cited**

U.S. PATENT DOCUMENTS

D848,980 S * 5/2019 Kim D14/223
D861,647 S * 10/2019 Chen D14/223

D869,445 S * 12/2019 Hu D14/223
D877,722 S * 3/2020 Yang D14/223
D878,337 S * 3/2020 Yang D14/223
D896,207 S * 9/2020 He D14/223
D903,639 S * 12/2020 Yang D14/223
10,887,681 B1 * 1/2021 Wen H04R 1/1025
D912,017 S * 3/2021 Chen D14/223
D940,691 S * 1/2022 Zhang D14/223
D953,302 S * 5/2022 Zhang D14/223
D957,366 S * 7/2022 Hachiri D14/223
D962,202 S * 8/2022 Zhang D14/223

* cited by examiner

Primary Examiner — Katie Jane Stofko

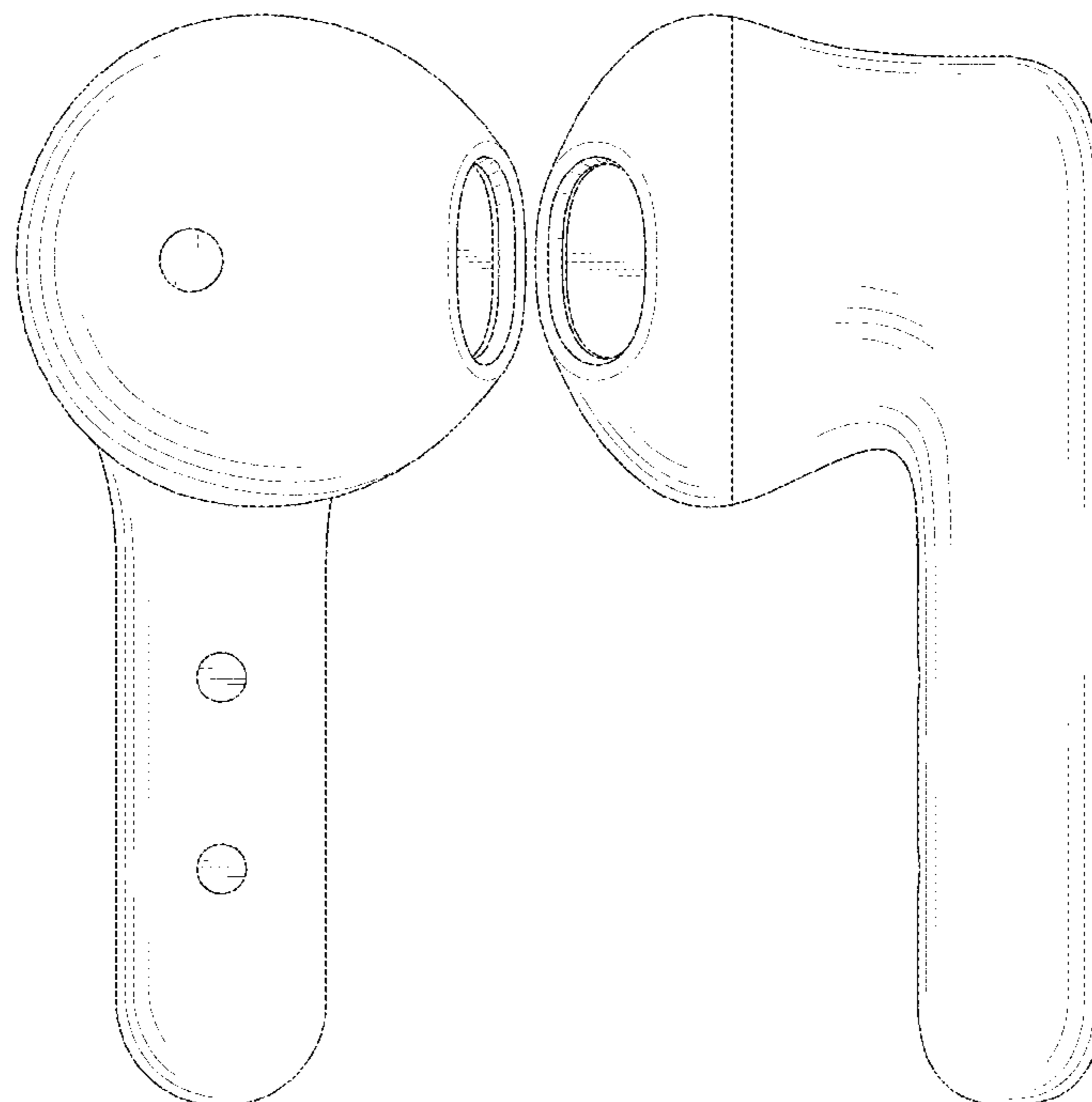
(57) **CLAIM**

The ornamental design for a wireless earphone, as shown and described.

DESCRIPTION

FIG. 1 is a rear, right side and bottom perspective view of a wireless earphone showing my new design;
FIG. 2 is a front view thereof;
FIG. 3 is a rear view thereof;
FIG. 4 is a left side view thereof;
FIG. 5 is a right side view thereof;
FIG. 6 is a top plan view thereof; and,
FIG. 7 is a bottom plan view thereof.
The broken lines in the figures illustrate portions of the wireless earphone that form no part of the claimed design.

1 Claim, 7 Drawing Sheets



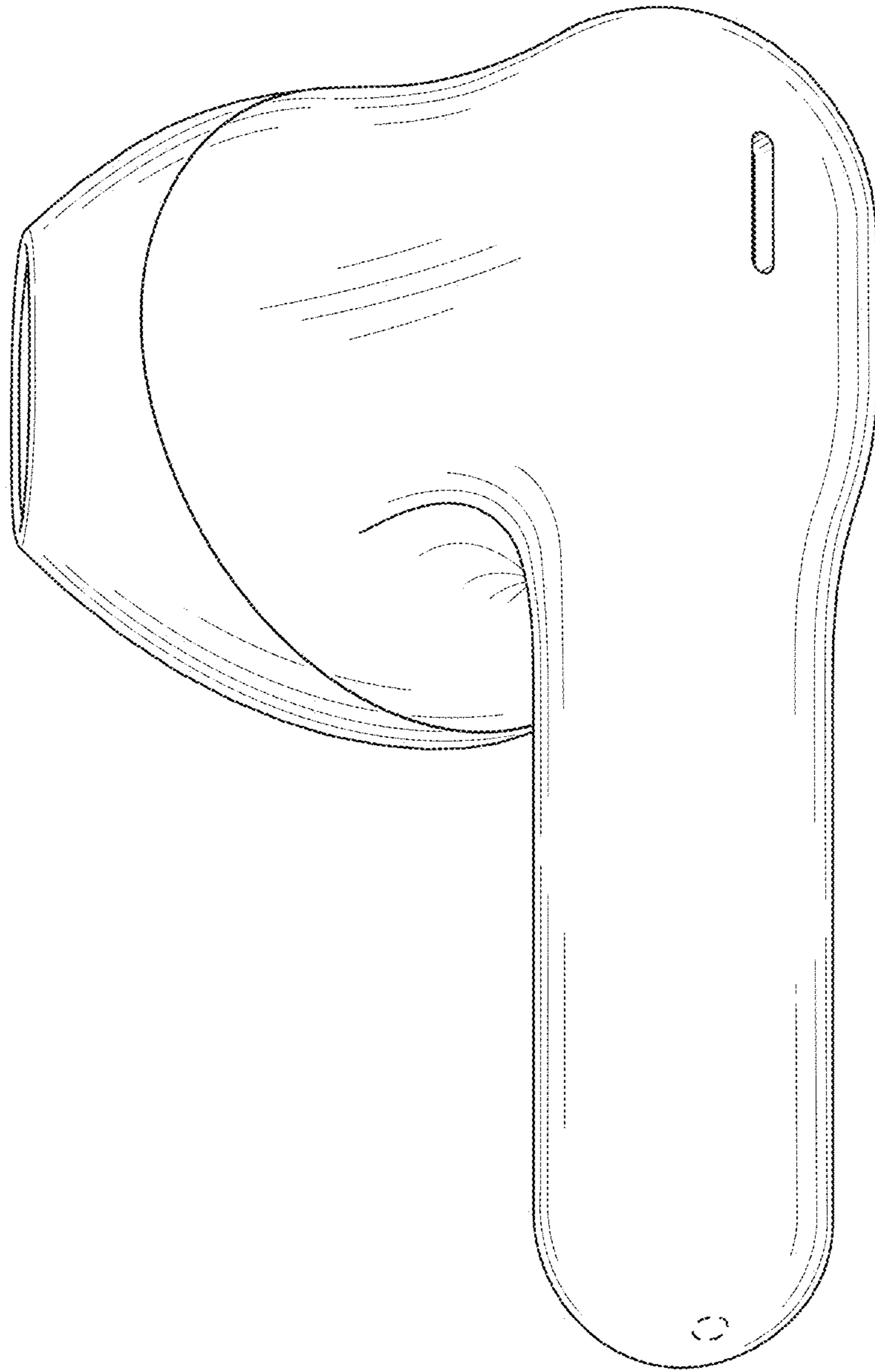


FIG. 1

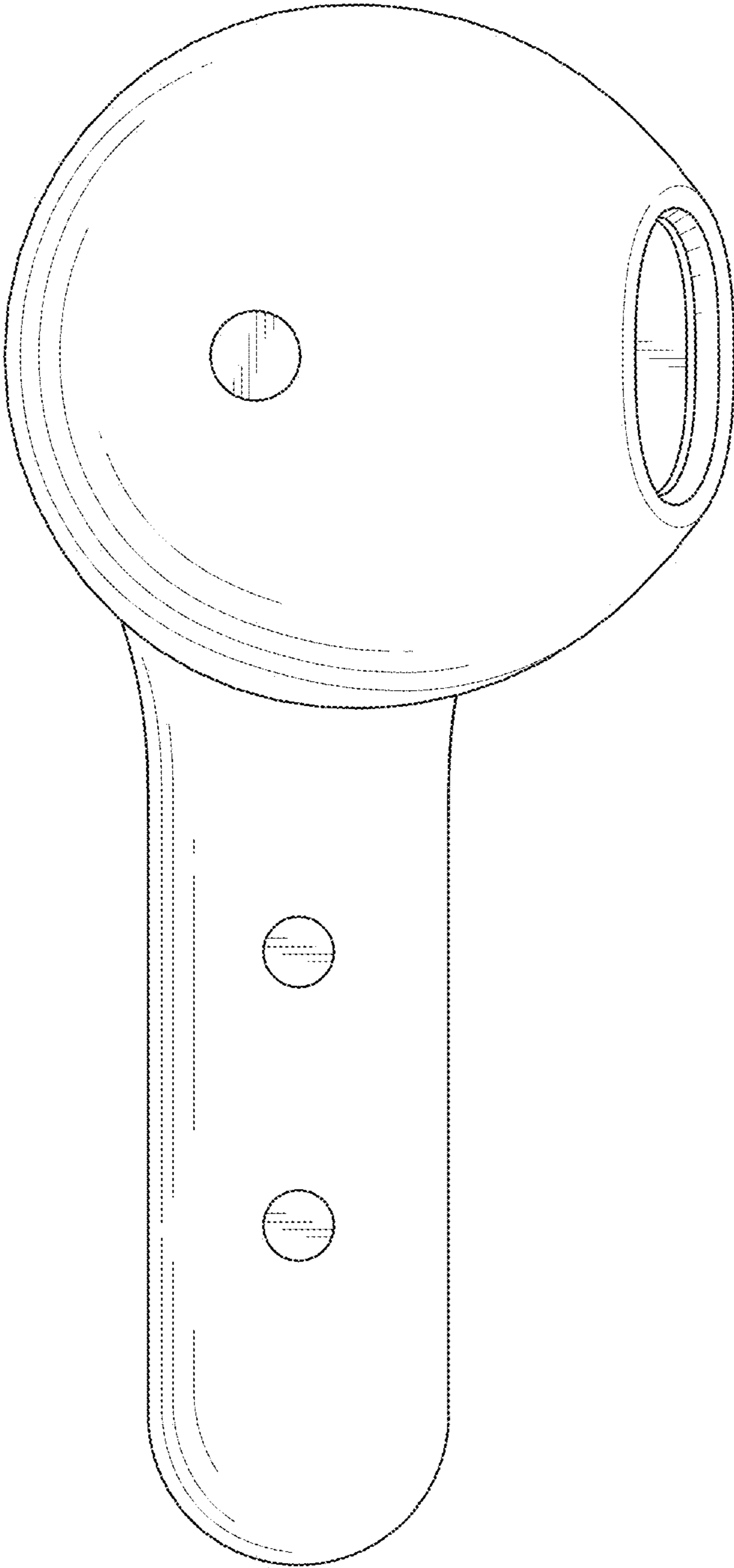


FIG. 2

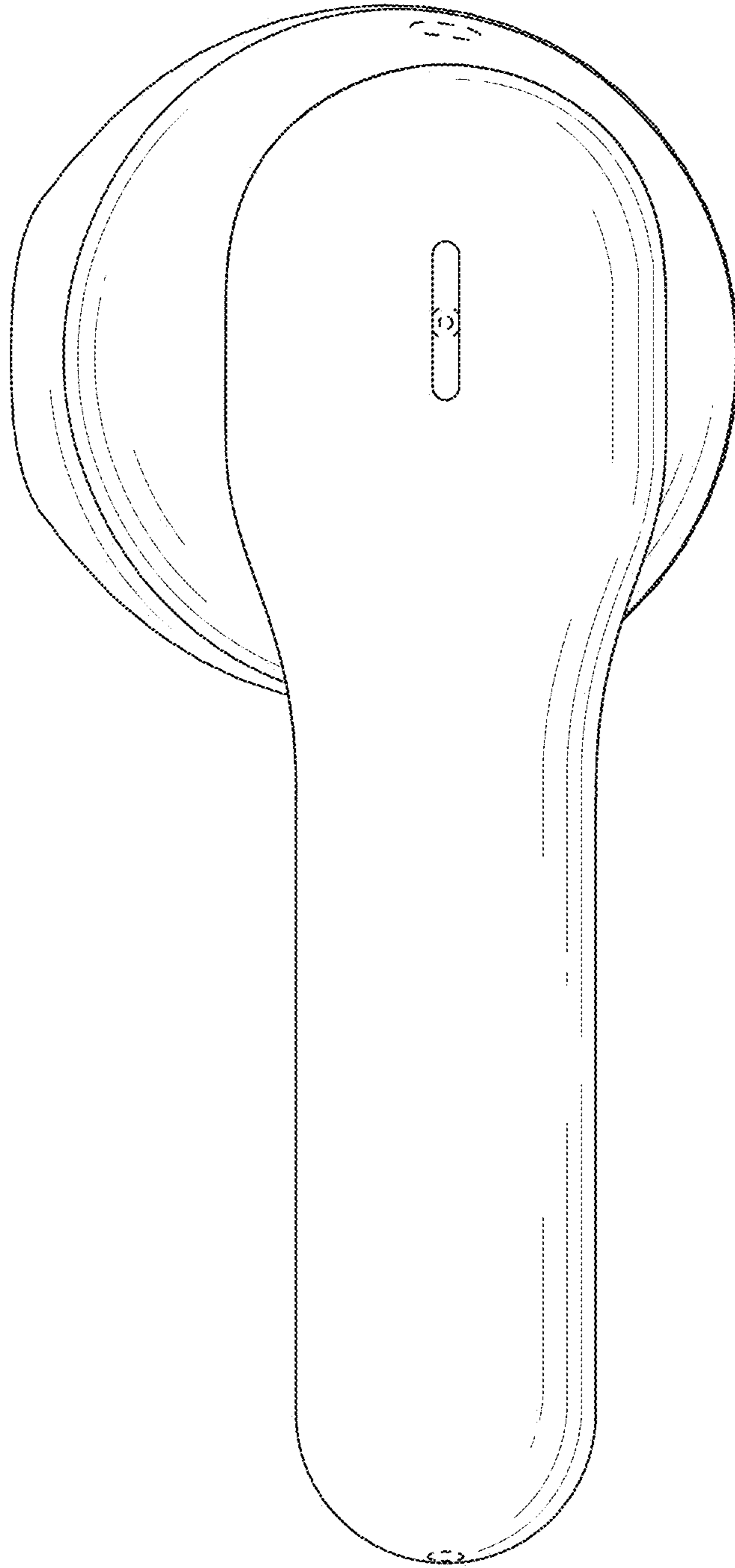


FIG. 3

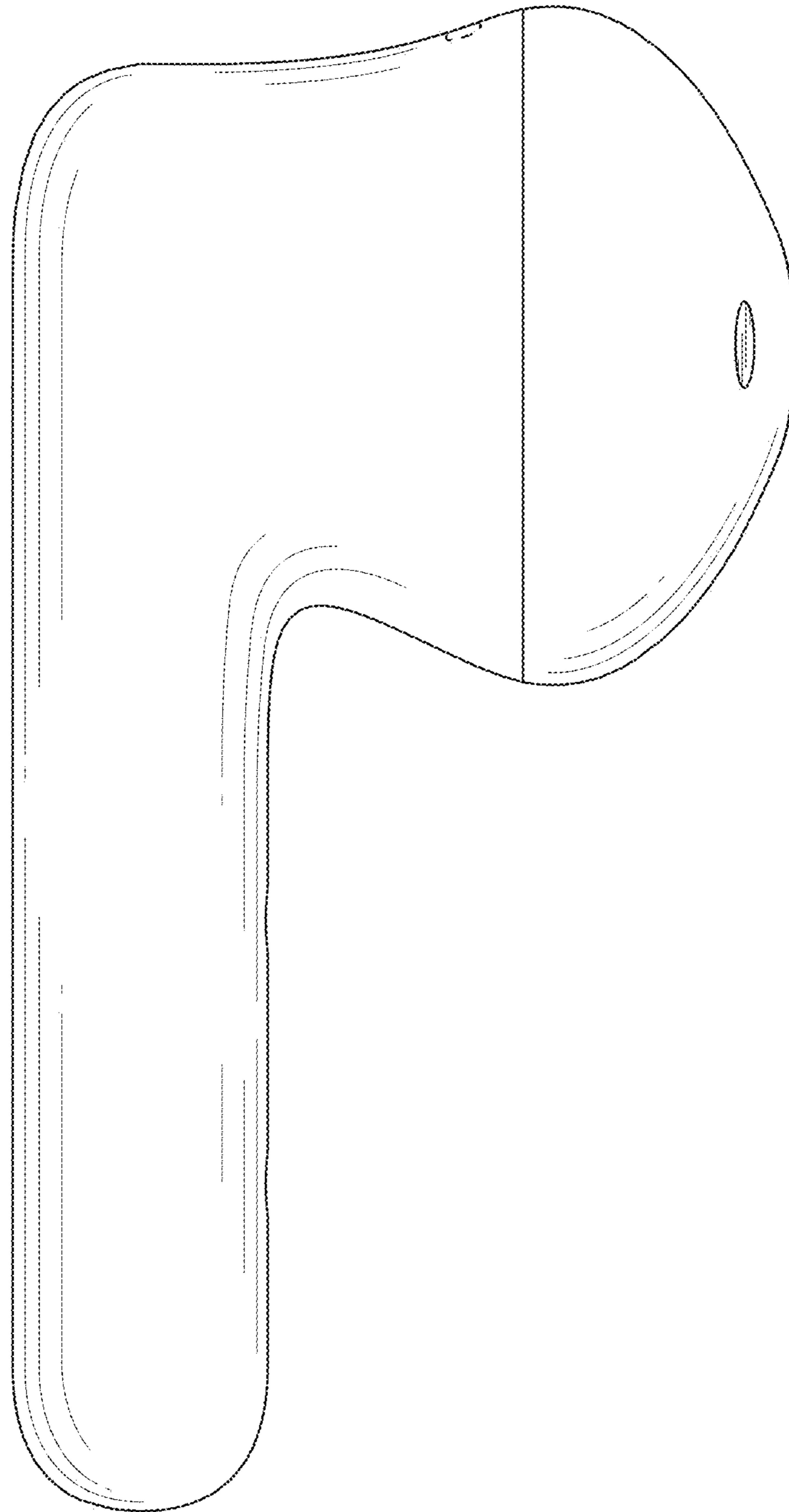


FIG. 4

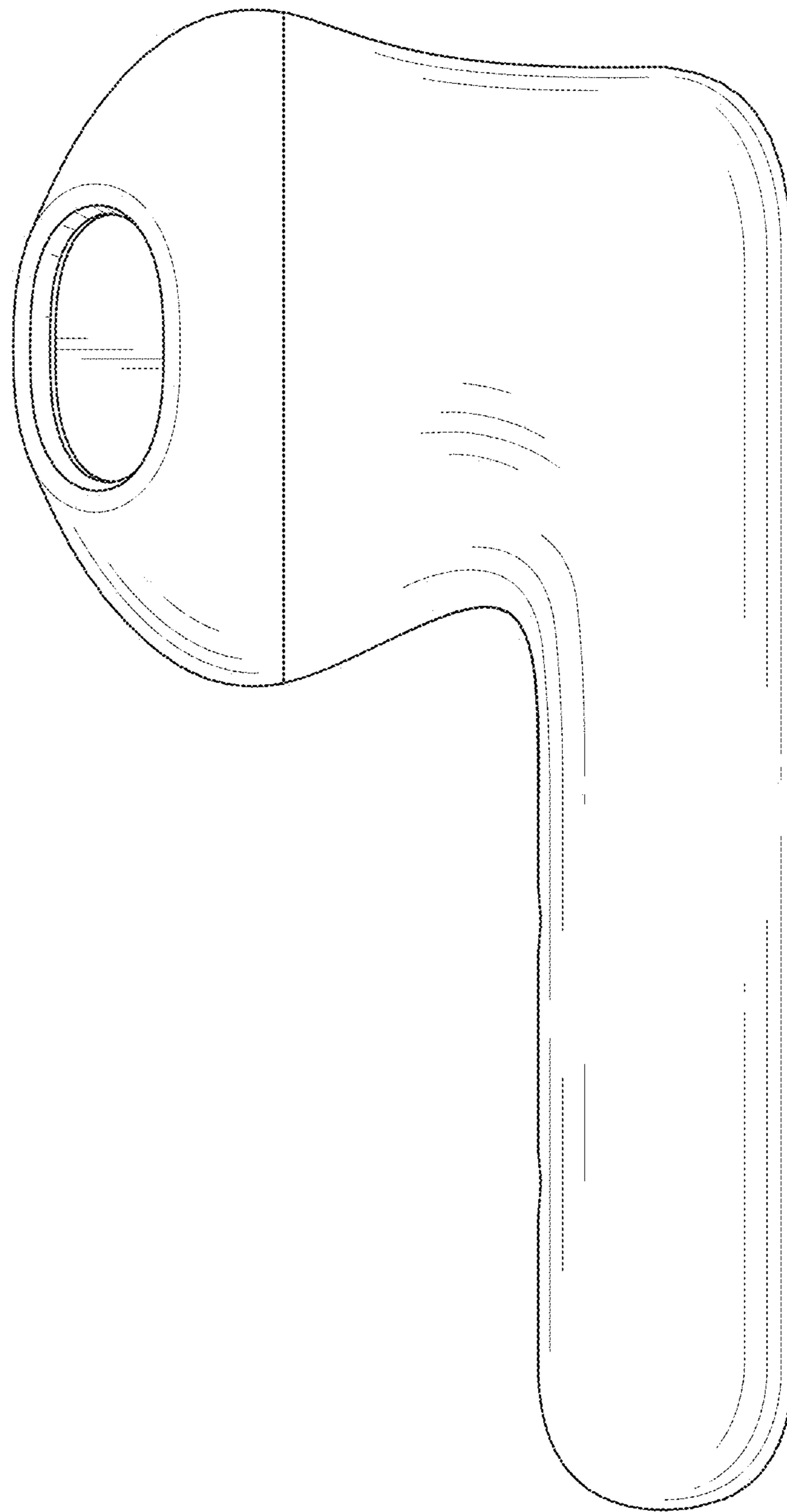


FIG. 5

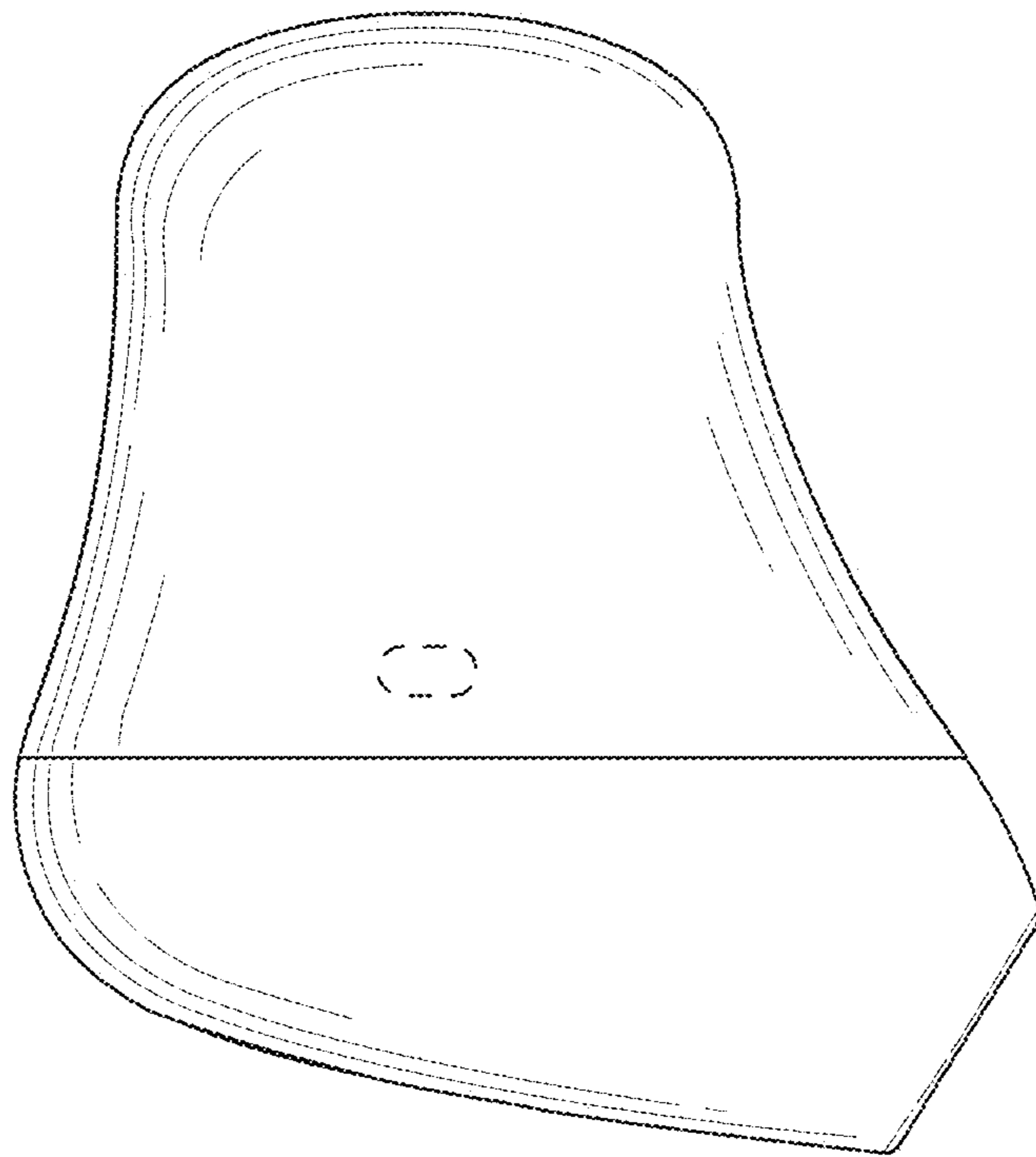


FIG. 6

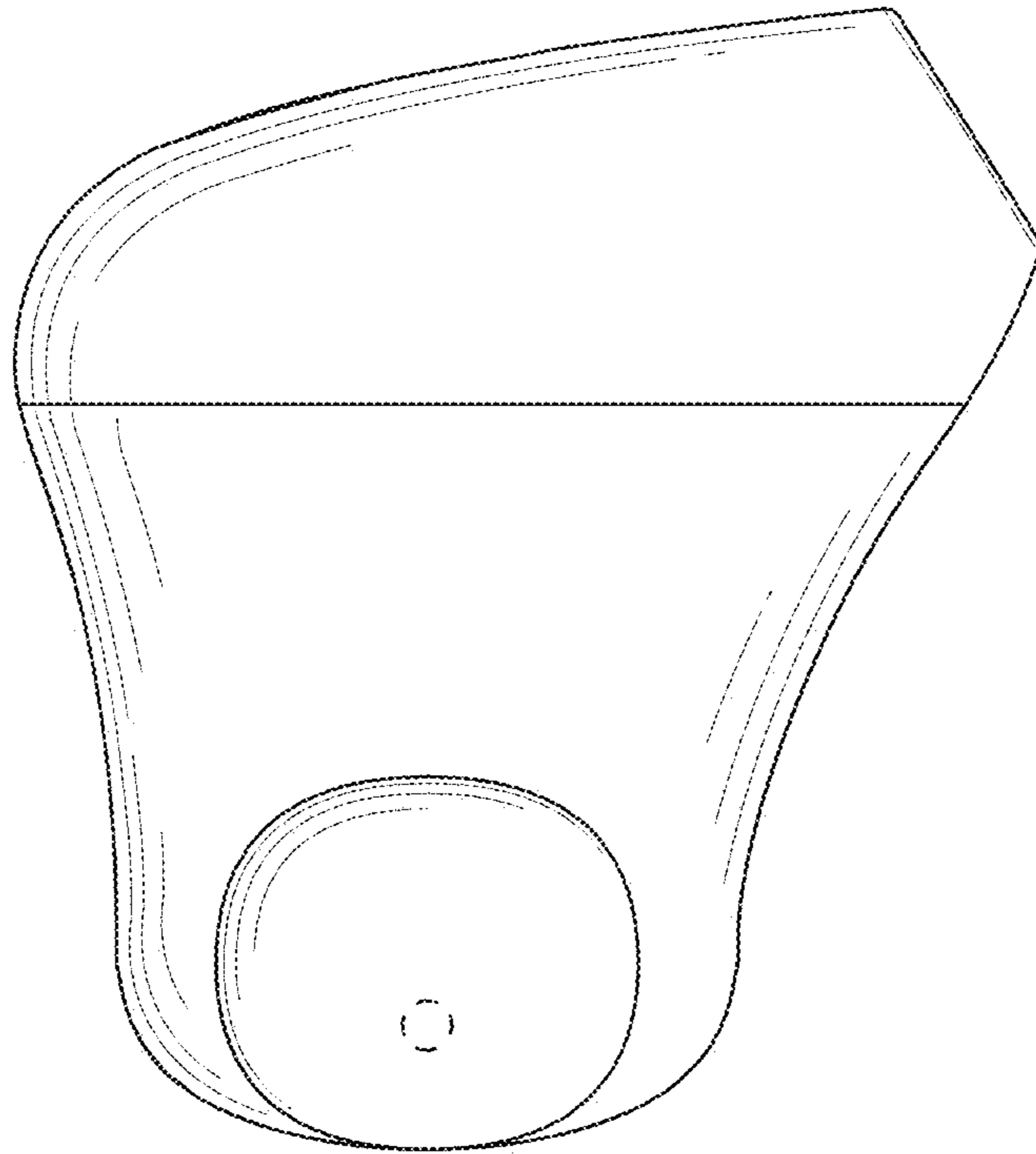


FIG. 7