



US00D974332S

(12) **United States Design Patent** (10) **Patent No.:** **US D974,332 S**
Wakuda et al. (45) **Date of Patent:** **** Jan. 3, 2023**

(54) **AV MIXER**
(71) Applicant: **Roland Corporation**, Shizuoka (JP)
(72) Inventors: **Satoshi Wakuda**, Shizuoka (JP);
Akihito Kimura, Shizuoka (JP)
(73) Assignee: **Roland Corporation**, Shizuoka (JP)
(**) Term: **15 Years**
(21) Appl. No.: **29/809,782**
(22) Filed: **Sep. 30, 2021**
(51) **LOC (14) Cl.** **14-03**
(52) **U.S. Cl.**
USPC **D14/217**
(58) **Field of Classification Search**
USPC D14/217, 257, 258, 434, 496, 162, 167,
D14/175, 188, 196-198; D13/162, 164,
D13/171, 174
CPC G10H 1/0066; G10H 1/0008; G10H
2220/106; G10H 1/32; G10H 2220/096;
G10H 2230/015; G10H 1/38; G10H
1/0091; G10H 2210/125; G10H 1/34;
G10H 1/348; G10H 1/02; G10H 1/46;
G10H 1/0025; G10H 2210/066; G10H
2220/201; G10H 2220/241; G10H
2240/211; G10H 7/008; G10H 7/02;
G10H 1/0058; G10H 2230/021; G10H
3/146; G10H 7/00; G10H 1/00; G10H
1/28; G10H 1/342; G10H 1/36; G10H
1/383; G10H 2210/081; G10H 2210/095;
G10H 3/188; G10H 1/0033; G10H
1/0083; G10H 1/0575; G10H 1/06; G10H
1/18; G10H 1/386; G10H 2220/101
See application file for complete search history.

D552,085 S * 10/2007 Andre D14/217
D595,265 S * 6/2009 Andre D14/217
D595,266 S * 6/2009 Andre D14/217
D596,161 S * 7/2009 Andre D14/217
D596,621 S * 7/2009 Andre D14/217
D597,079 S * 7/2009 Andre D14/217
D599,783 S * 9/2009 Andre D14/217
D600,679 S * 9/2009 Upham D14/217
D605,174 S * 12/2009 Andre D14/217
D625,293 S * 10/2010 Andre D14/217
D626,940 S * 11/2010 Andre D14/217
D644,208 S * 8/2011 Akana D14/217
D815,064 S * 4/2018 Garncarz D14/217
D832,822 S * 11/2018 Cho D14/217
D847,791 S * 5/2019 Jhun D14/217
D872,709 S * 1/2020 Pang D14/217
D905,013 S * 12/2020 Kuramoto D14/217
D931,280 S * 9/2021 Kangasmaa D14/388
D933,231 S * 10/2021 Marteau D24/158
D940,687 S * 1/2022 Koursaris D14/217
D951,914 S * 5/2022 Wan D14/217

* cited by examiner

Primary Examiner — Khawaja Anwar
(74) *Attorney, Agent, or Firm* — JCIPRNET

(57) **CLAIM**

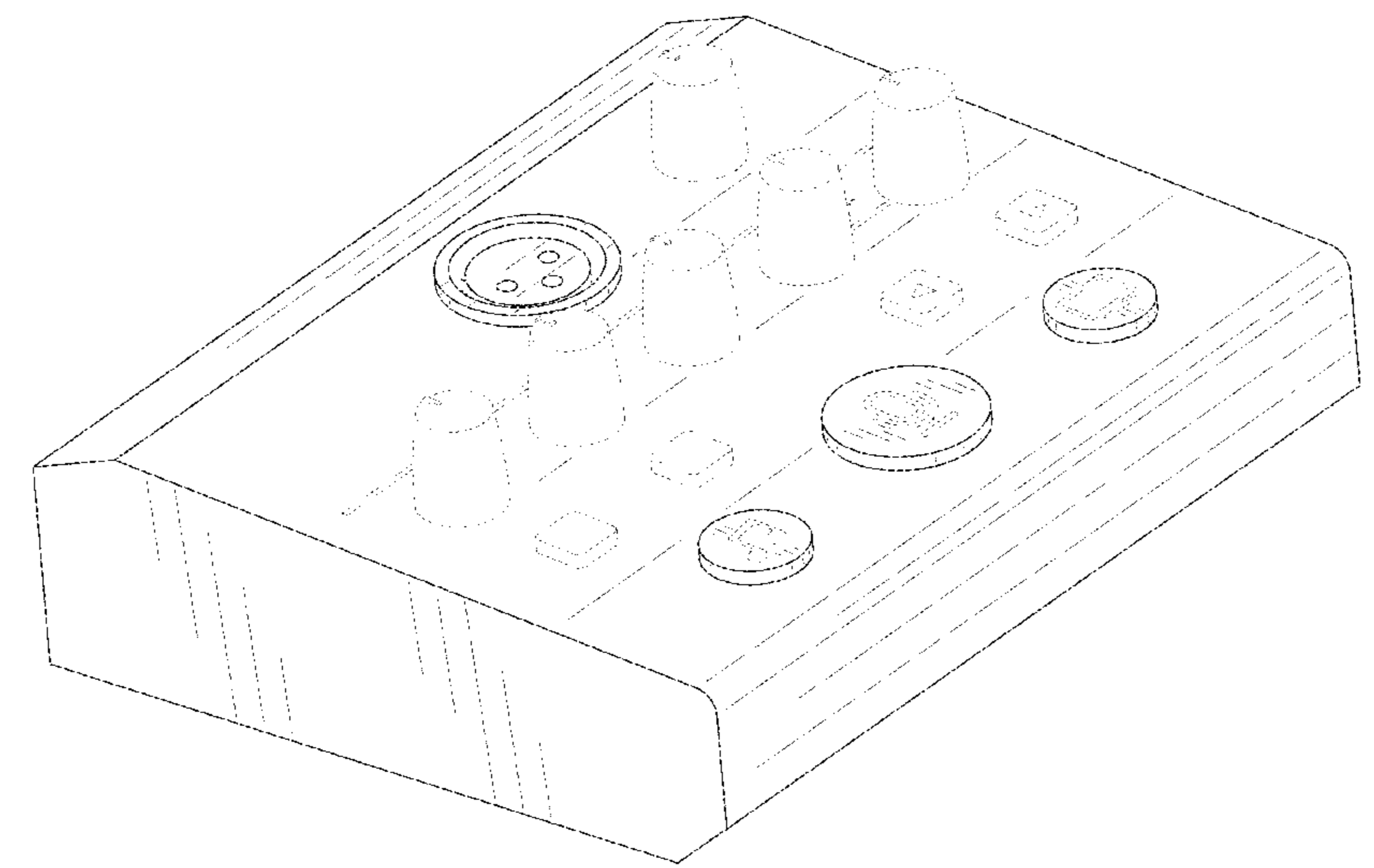
The ornamental design for an AV mixer, as shown and described.

DESCRIPTION

FIG. 1 is a perspective view of an AV mixer showing our new design;
FIG. 2 is a front view thereof;
FIG. 3 is a rear view thereof;
FIG. 4 is a left side view thereof;
FIG. 5 is a right side view thereof;
FIG. 6 is a top view thereof; and,
FIG. 7 is bottom view a thereof.
The broken lines in the drawings represent portions of the AV mixer that form no part of the claimed design.

1 Claim, 7 Drawing Sheets

(56) **References Cited**
U.S. PATENT DOCUMENTS
D244,214 S * 5/1977 Ross D14/217
D551,212 S * 9/2007 Andre D14/217



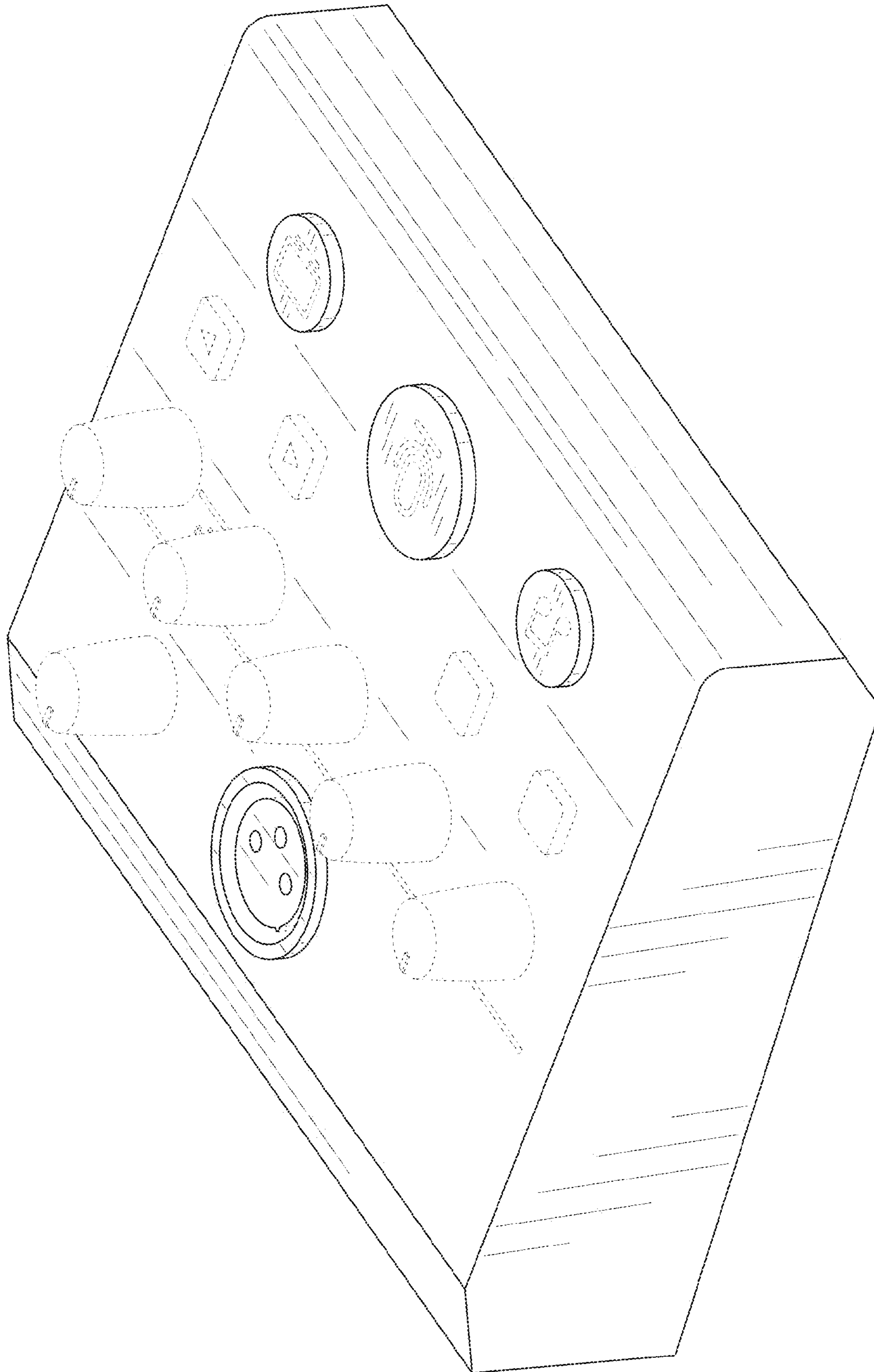


FIG. 1

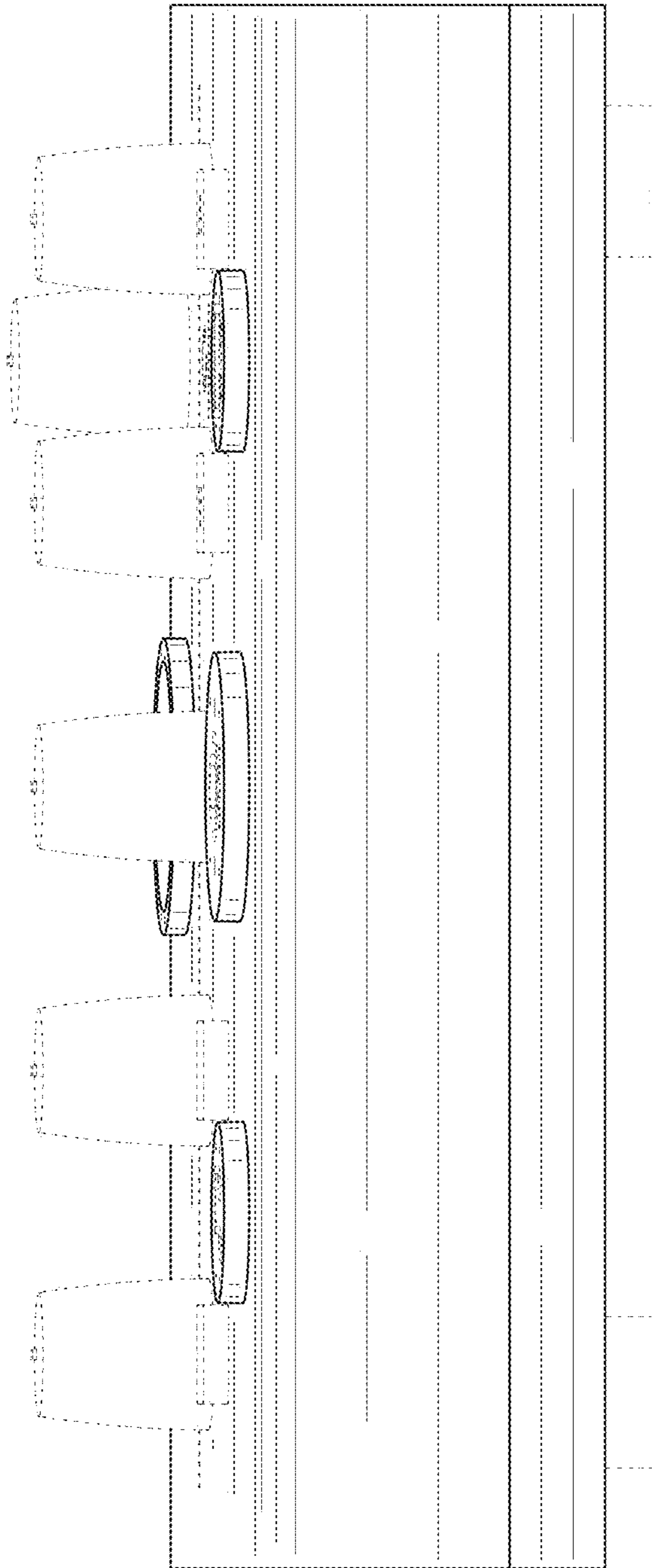


FIG. 2

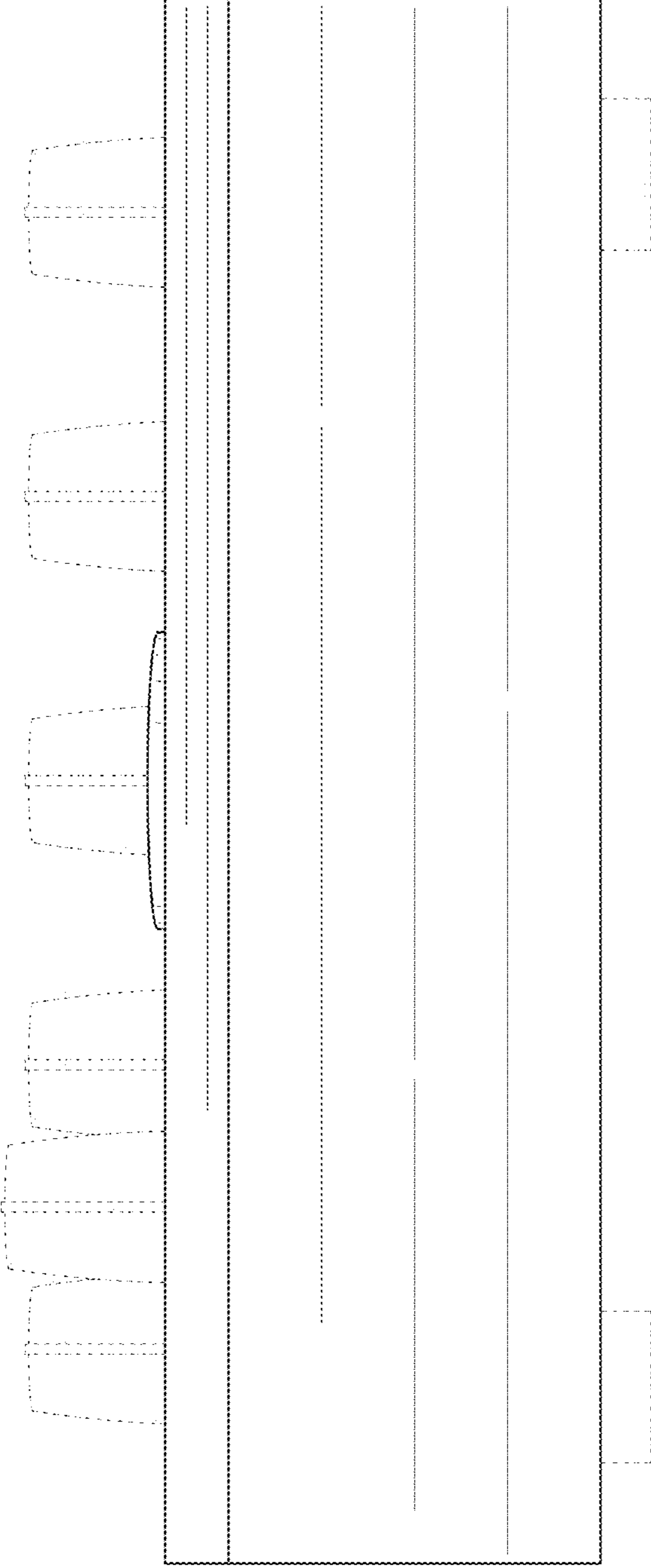


FIG. 3

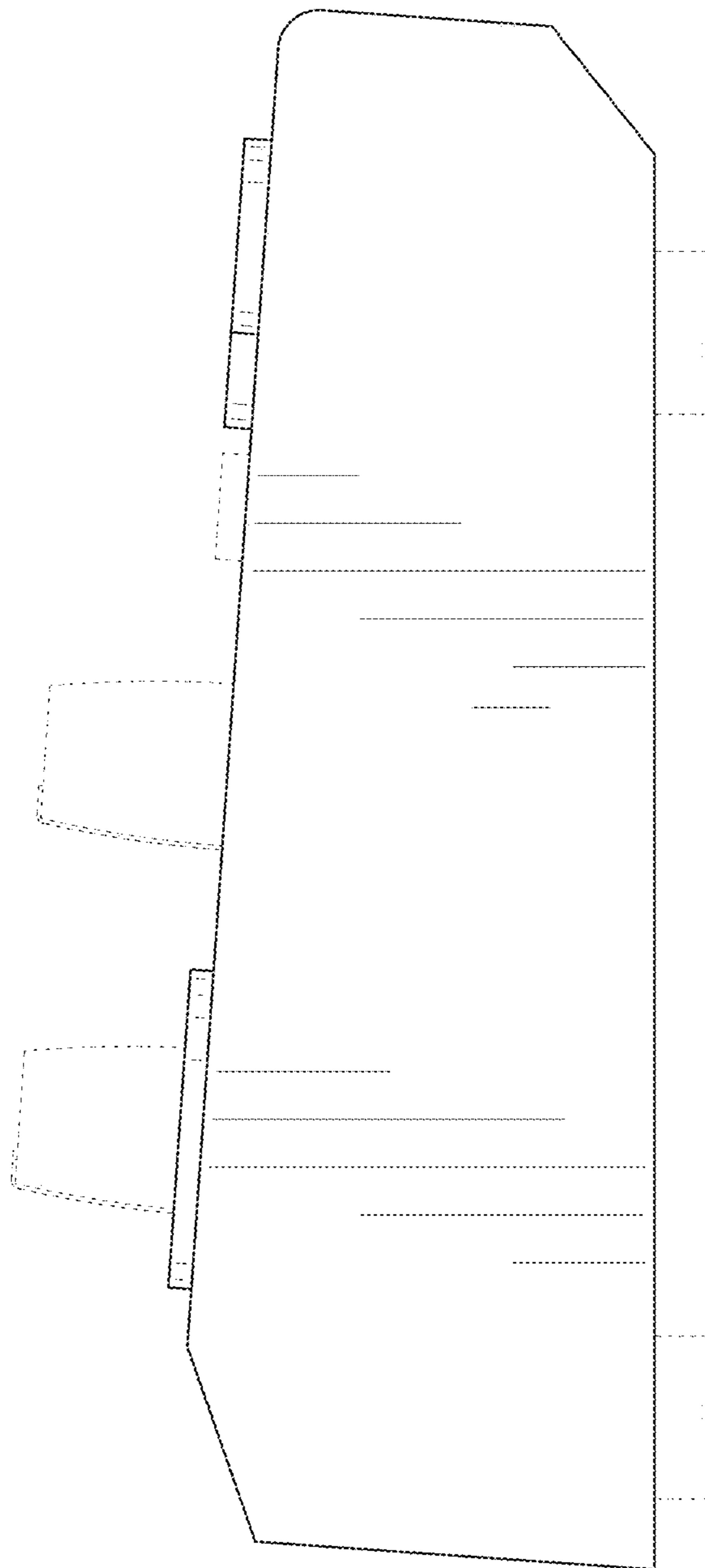


FIG. 4

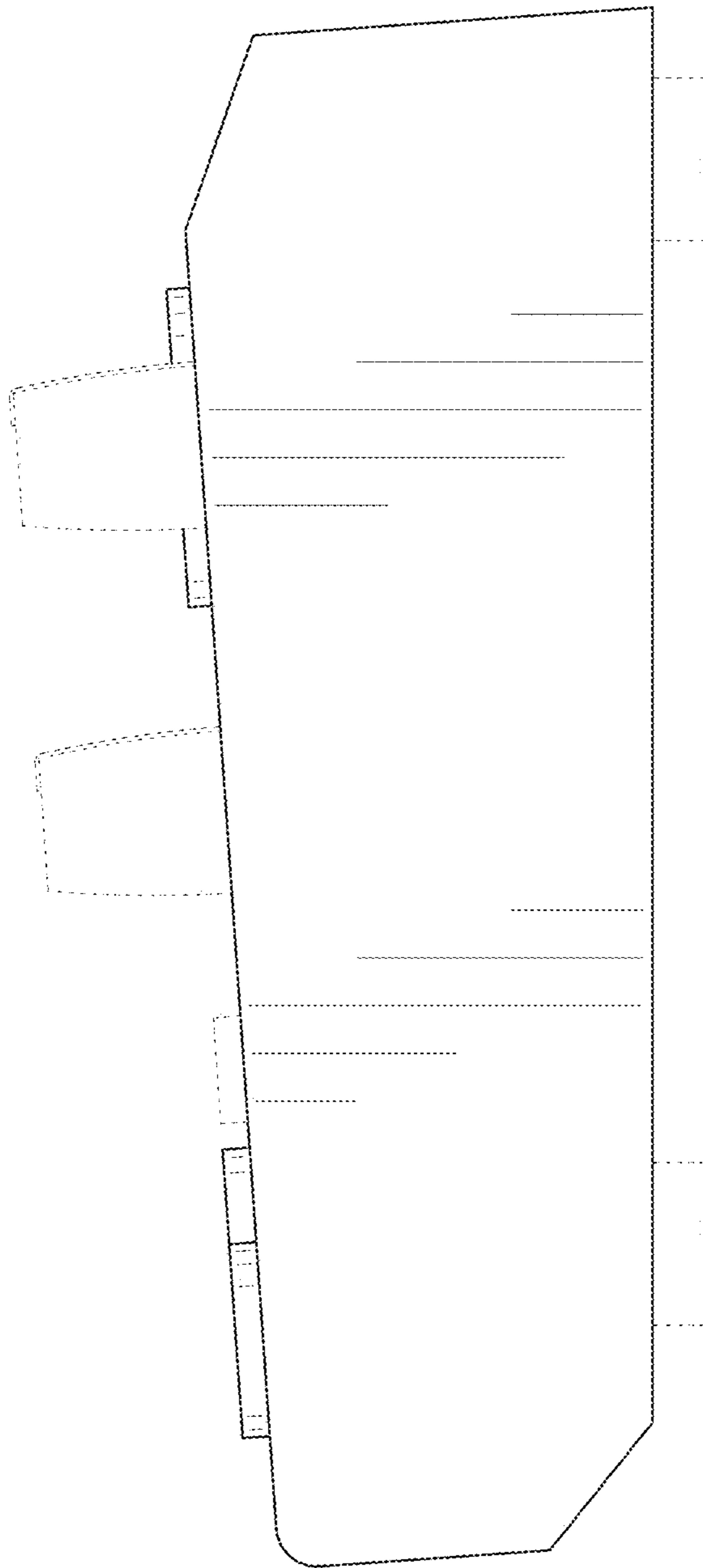


FIG. 5

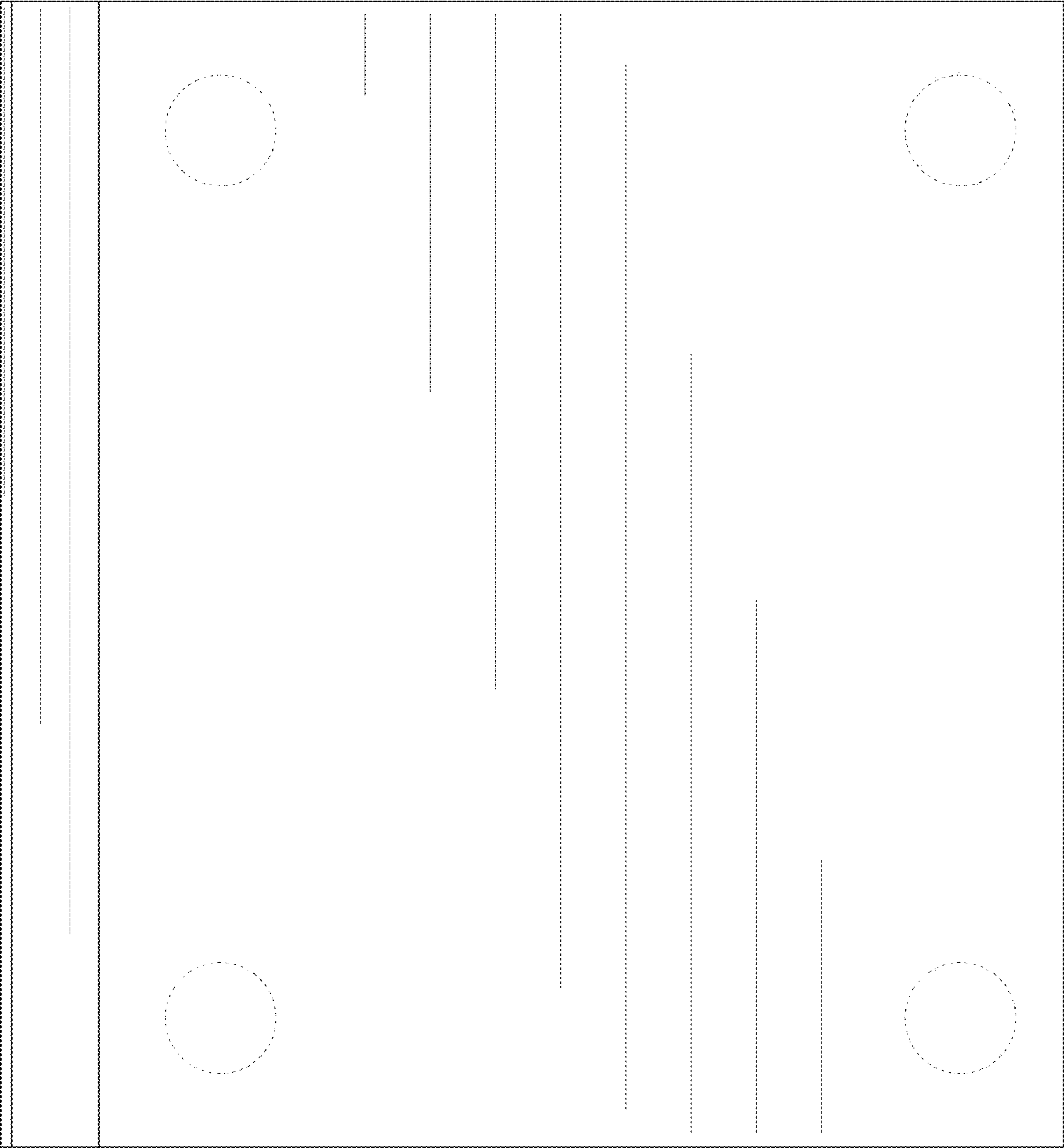


FIG. 7