



US00D974331S

(12) **United States Design Patent** (10) **Patent No.:** **US D974,331 S**
Lu et al. (45) **Date of Patent:** **** Jan. 3, 2023**

(54) **HANDLE**
(71) Applicant: **Harman International Industries, Incorporated**, Northridge, CA (US)
(72) Inventors: **Tao Lu**, Shenzhen (CN); **Alexander Demin**, Shenzhen (CN)
(73) Assignee: **Harman International Industries, Incorporated**, Northridge, CA (US)

D637,580 S * 5/2011 Aranda, Jr. D14/214
D657,196 S * 4/2012 Beyers, III D7/542
D682,255 S 5/2013 Lum et al.
D687,814 S 8/2013 Lum et al.
D691,591 S 10/2013 Lum et al.
D692,112 S * 10/2013 Le D23/304
D693,334 S 11/2013 Lum et al.
D733,680 S 7/2015 Nugent
D758,122 S * 6/2016 Simpson A47G 19/03
D7/391

(Continued)

(**) Term: **15 Years**

OTHER PUBLICATIONS

(21) Appl. No.: **29/794,789**

Design U.S. Appl. No. 29/712,088, filed Nov. 5, 2019.

(Continued)

(22) Filed: **Jun. 15, 2021**

(51) **LOC (14) Cl.** **14-01**

Primary Examiner — Lauren R Calve

(52) **U.S. Cl.**
USPC **D14/217**; D14/214; D8/315; D8/321

(74) *Attorney, Agent, or Firm* — Plumsea Law Group, LLC

(58) **Field of Classification Search**
USPC D8/300–303, 307, 315–321; D14/214, D14/217, 221; D7/394
CPC H04R 1/026; H04R 1/02; Y10T 16/44; Y10T 24/44863; Y10T 29/49826
See application file for complete search history.

(57) **CLAIM**

The ornamental design for a handle, as shown and described.

DESCRIPTION

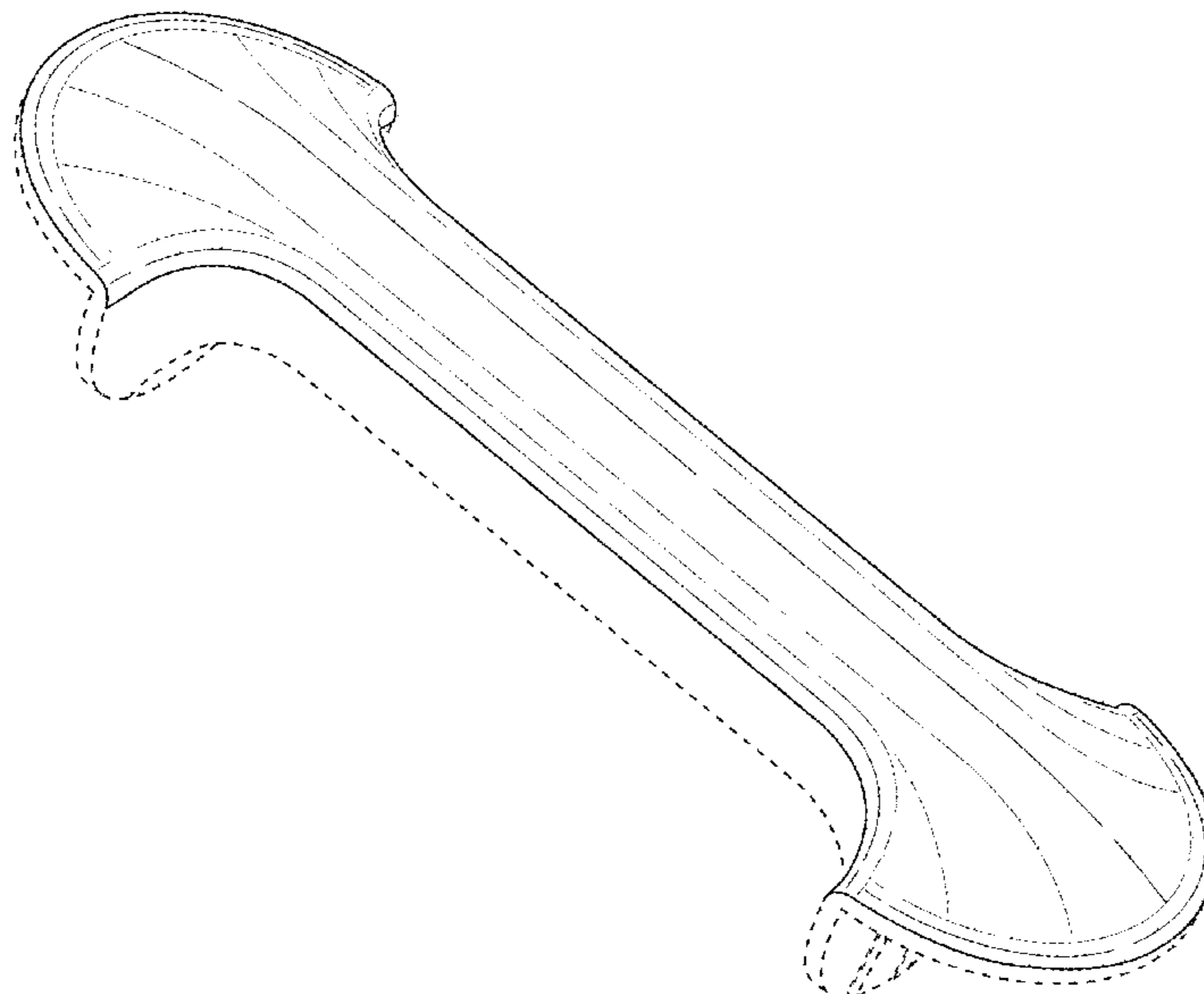
(56) **References Cited**

U.S. PATENT DOCUMENTS

2,783,494 A * 3/1957 Sterling E05B 1/0015
16/443
D342,436 S * 12/1993 Cook D15/89
D402,529 S * 12/1998 Husted D8/313
D439,238 S * 3/2001 Mackie D14/214
6,999,597 B2 * 2/2006 Yang H04R 1/02
381/386
D542,117 S * 5/2007 Fields D8/316
D582,748 S * 12/2008 Elwell D8/302
D591,724 S * 5/2009 Davies D14/214
D595,693 S * 7/2009 Hussey D14/214
D609,214 S 2/2010 Hussey et al.
D609,215 S 2/2010 Hussey et al.
D614,013 S * 4/2010 Saubert D15/89

FIG. 1 is a perspective view of a handle showing the new design;
FIG. 2 is a front elevational view thereof;
FIG. 3 is a rear elevational view thereof;
FIG. 4 is a side elevational view thereof;
FIG. 5 is an opposite side elevational view thereof;
FIG. 6 is a top view thereof; and,
FIG. 7 is a bottom view thereof.
The broken lines illustrate portions of the handle that form no part of the claimed design.
The shading is provided merely to represent contours of the design and does not connote the character of the surfaces such as any specific texture, material, gloss, translucence, transparency, surface treatment, or surface decoration.

1 Claim, 7 Drawing Sheets



(56)

References Cited

U.S. PATENT DOCUMENTS

D780,577 S * 3/2017 Seiders D9/434
D788,067 S 5/2017 Nugent et al.
D797,078 S 9/2017 Nugent et al.
D800,696 S 10/2017 Tubis et al.
D817,307 S 5/2018 Spillmann et al.
D820,661 S * 6/2018 Shargh D8/315
D823,830 S 7/2018 Spillmann et al.
D827,608 S 9/2018 Nugent et al.
D829,685 S 10/2018 Nugent et al.
D830,328 S 10/2018 Nugent et al.
D832,236 S 10/2018 Nugent et al.
D847,123 S * 4/2019 Ito D14/217
D853,989 S 7/2019 Spillmann et al.
D876,394 S 2/2020 Nugent et al.
D899,397 S 10/2020 Kim
D901,699 S * 11/2020 Chau D24/187
D907,600 S 1/2021 Nugent et al.
D908,106 S 1/2021 Jin
D908,107 S 1/2021 Jin
2011/0186585 A1 * 8/2011 Lu A47J 41/00
220/592.2

OTHER PUBLICATIONS

Design U.S. Appl. No. 29/712,098, filed Nov. 5, 2019.
Harman JBL EON206P Specification Sheet and Photographs, 2014.
Design U.S. Appl. No. 29/794,806, filed Jun. 15, 2021.
Design U.S. Appl. No. 29/752,971, filed Sep. 29, 2020.

* cited by examiner

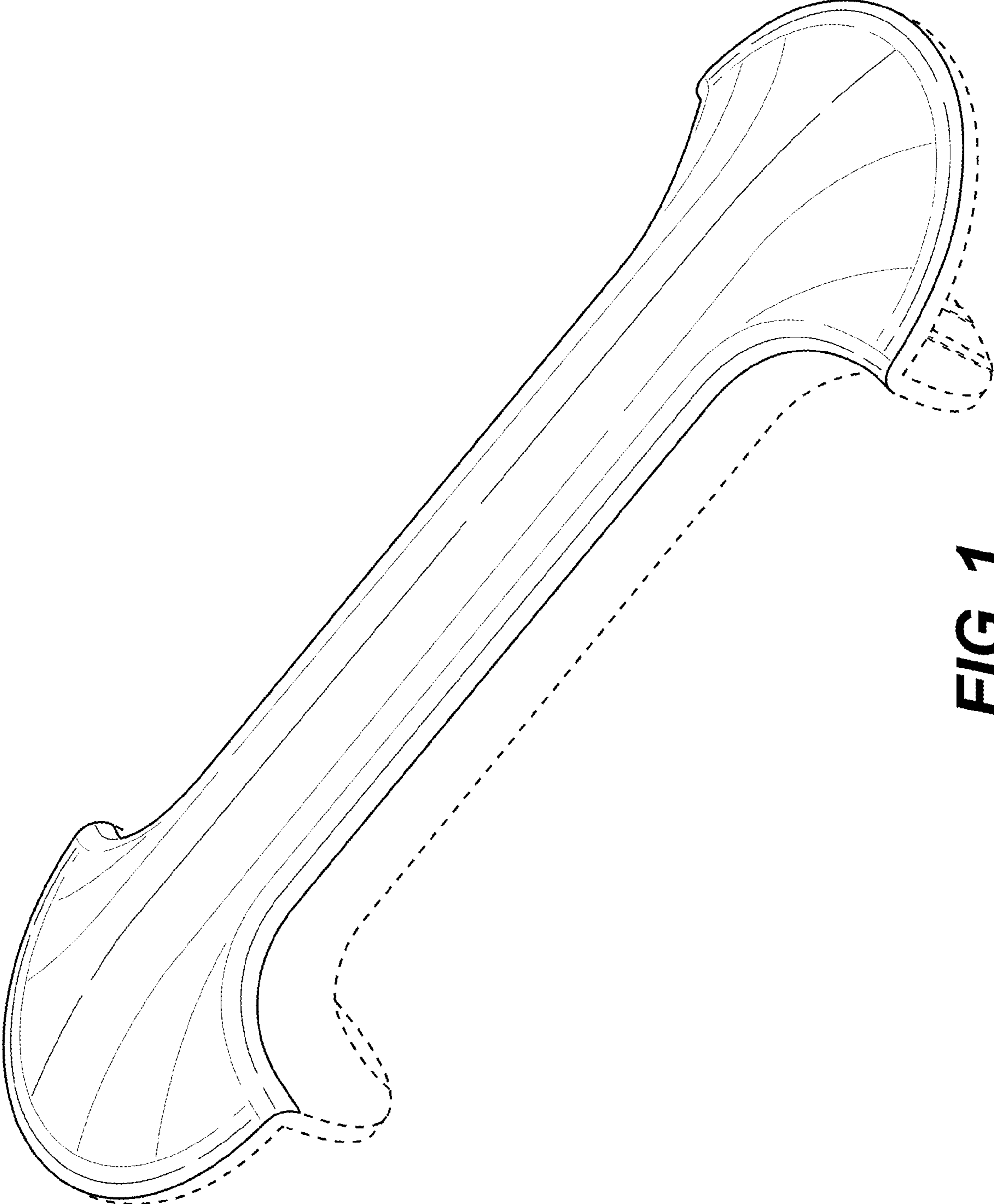


FIG. 1

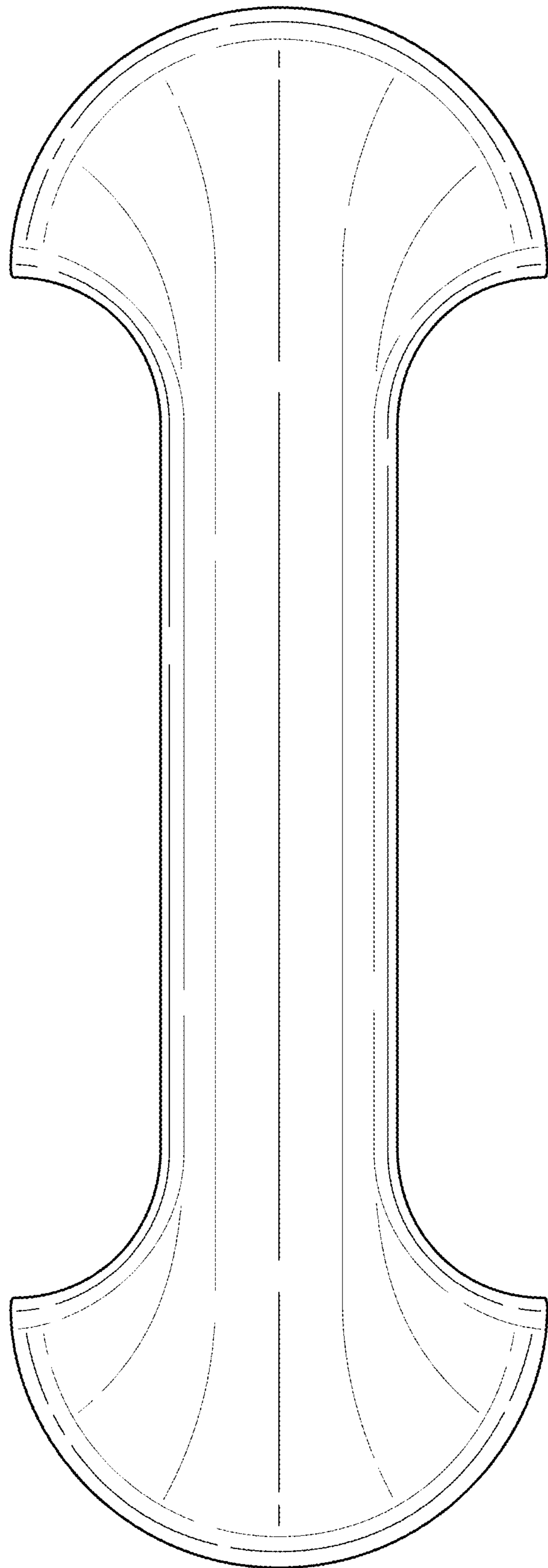


FIG. 2

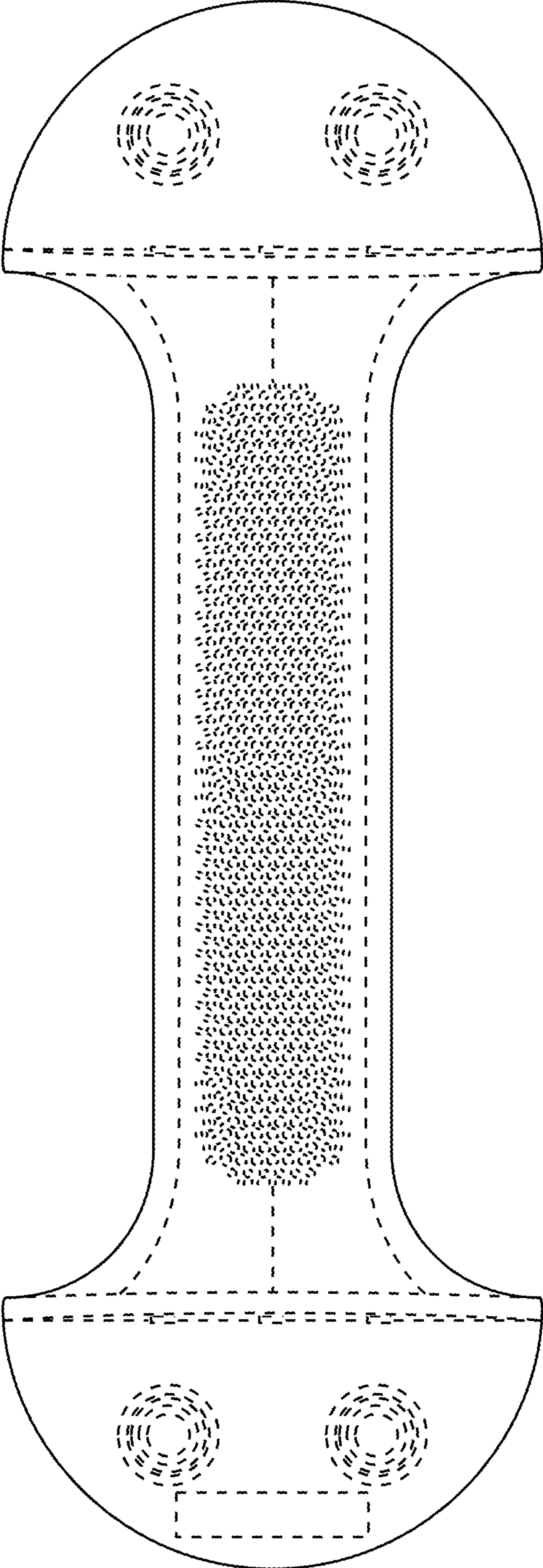


FIG. 3

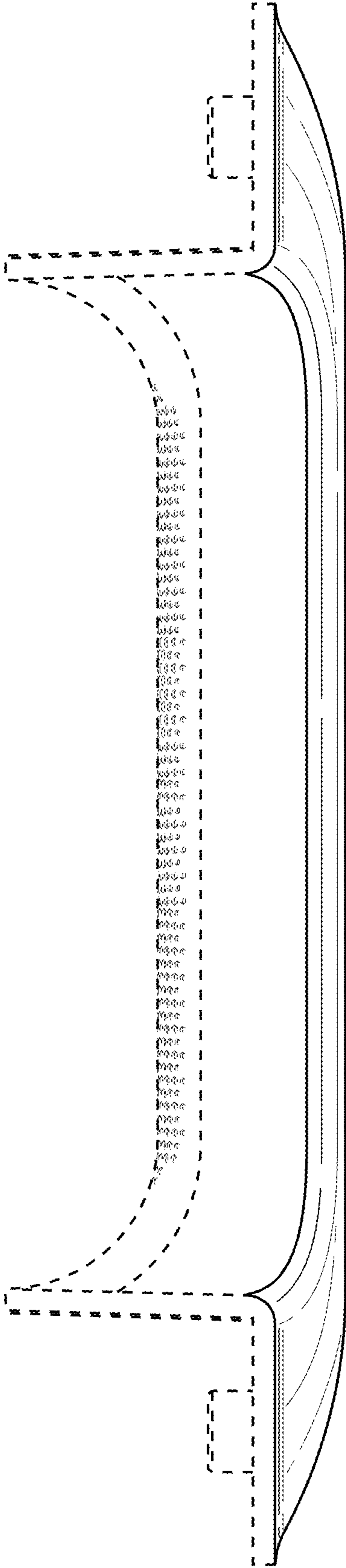


FIG. 4

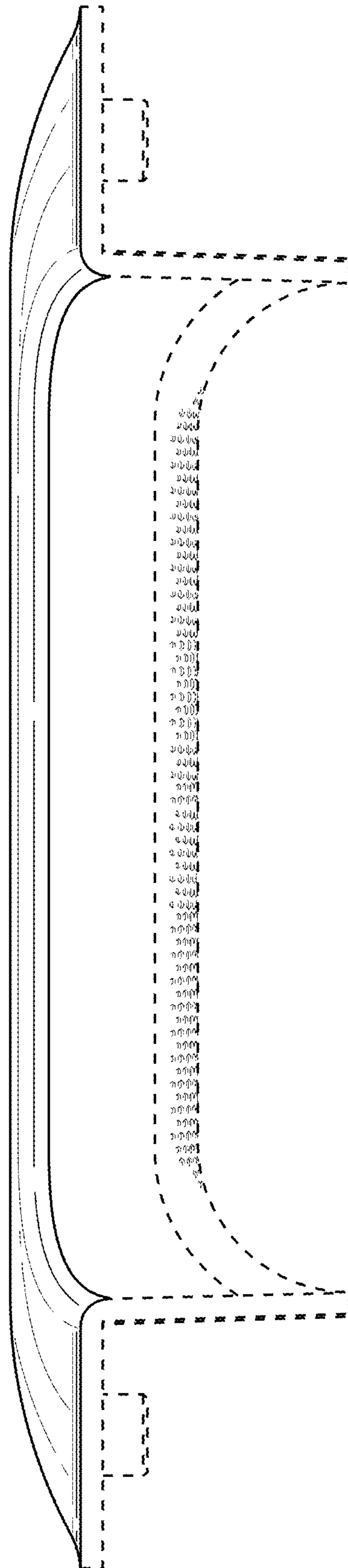


FIG. 5

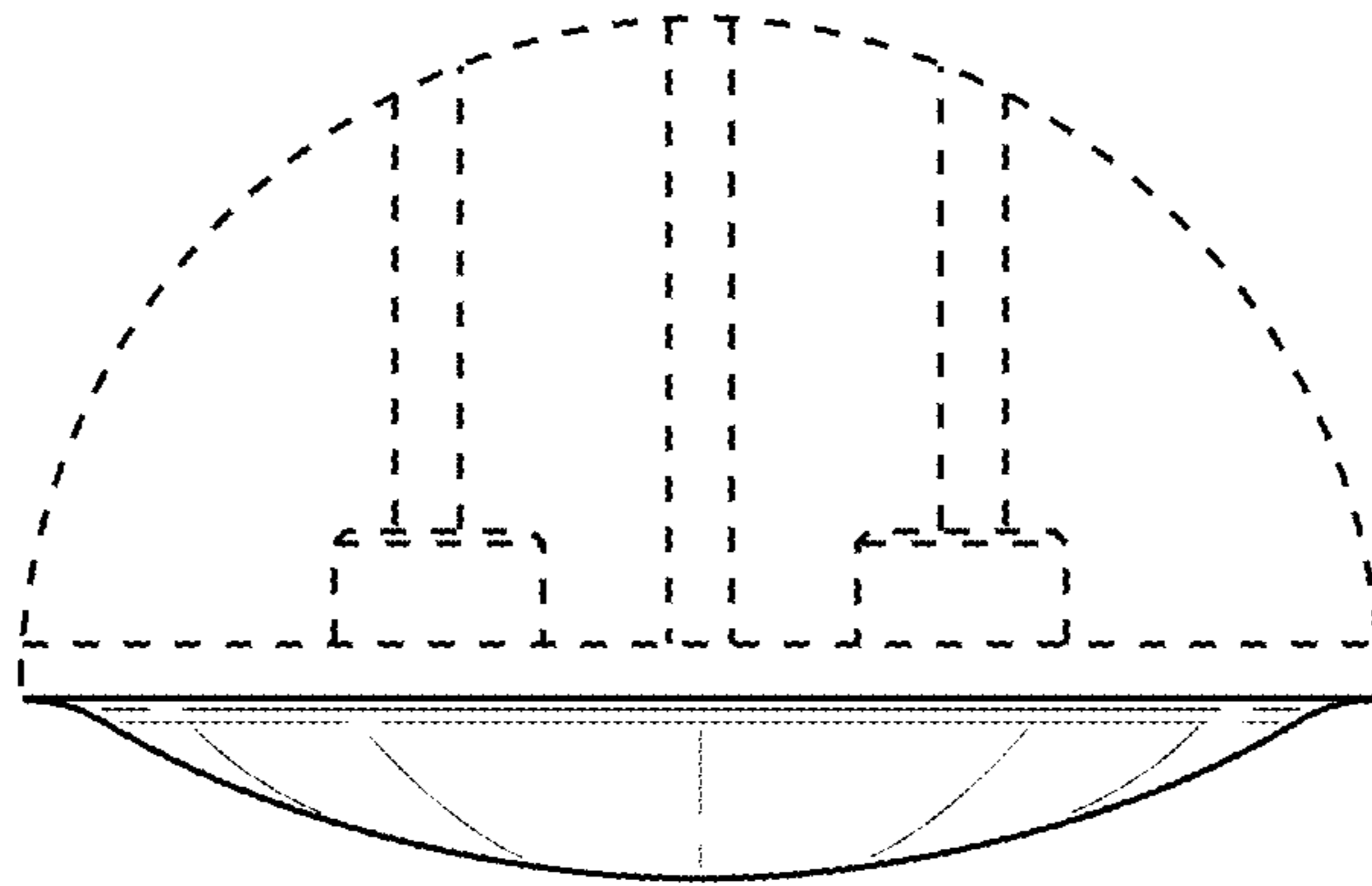


FIG. 6

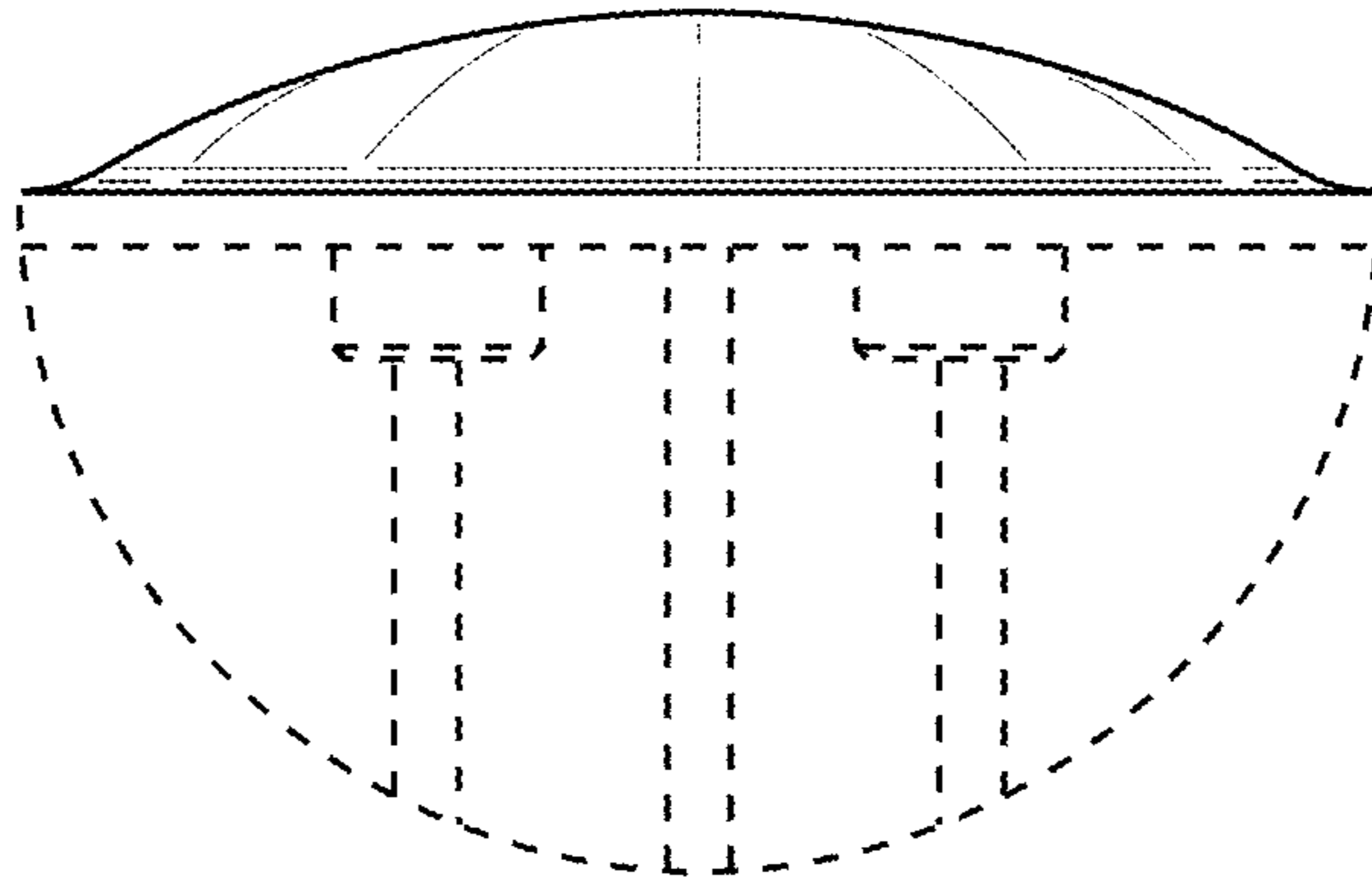


FIG. 7