

US00D974325S

(12) **United States Design Patent**
Xia

(10) **Patent No.:** **US D974,325 S**

(45) **Date of Patent:** **** Jan. 3, 2023**

(54) **HEADPHONE**

(71) Applicant: **SHENZHEN JIUHU TECHNOLOGY CO., LIMITED**, Shenzhen (CN)

(72) Inventor: **Ji Xia**, Shenzhen (CN)

(**) Term: **15 Years**

(21) Appl. No.: **29/776,553**

(22) Filed: **Mar. 31, 2021**

(51) **LOC (14) Cl.** **14-01**

(52) **U.S. Cl.**
USPC **D14/205**

(58) **Field of Classification Search**
USPC D14/205, 188, 192; D29/112; 2/209;
381/380-381, 370
CPC H04R 25/00; H04R 25/02; H04R 1/1066;
H04R 1/1016; H04R 5/033; H04R
5/0335; H04R 1/1083; H04R 1/1058;
H04R 1/105

See application file for complete search history.

(56) **References Cited**

U.S. PATENT DOCUMENTS

5,293,647	A *	3/1994	Mirmilshiteyn	H04R 1/10 379/430
D625,705	S *	10/2010	Ohori	D14/223
8,031,878	B2 *	10/2011	Gauger, Jr.	H04R 1/1025 381/74
8,755,555	B2 *	6/2014	Dougherty	H04R 1/1066 381/370
8,861,766	B2 *	10/2014	Ouryouji	H04R 1/1058 381/370
D725,630	S *	3/2015	Nakagawa	D14/205
D746,790	S *	1/2016	Strasberg	D14/205
D752,017	S *	3/2016	Daniel	D14/205
D755,753	S *	5/2016	Nakagawa	D14/205
9,344,794	B1 *	5/2016	Blonder	H04R 5/0335
9,866,946	B2 *	1/2018	Chen	H04B 1/385
D811,365	S *	2/2018	Czaniecki	D14/205
D836,084	S *	12/2018	Xie	D14/205

D840,370	S *	2/2019	Kelly	D14/205
D859,354	S *	9/2019	Xia	D14/205
D859,356	S *	9/2019	Hu	D14/205
D860,161	S *	9/2019	Xia	D14/205
D860,163	S *	9/2019	Xia	D14/205
D864,897	S *	10/2019	Qin	D14/205
D865,706	S *	11/2019	Li	D14/205
D868,733	S *	12/2019	Luo	D14/205
D869,432	S *	12/2019	Jung	D14/205
D869,437	S *	12/2019	Hu	D14/205

(Continued)

FOREIGN PATENT DOCUMENTS

EM	006630323-0001	*	7/2019
EM	008482871-0001	*	3/2021
GB	6211054	*	5/2022

Primary Examiner — Paula Allen Greene

(74) *Attorney, Agent, or Firm* — Rumit Ranjit Kanakia

(57) **CLAIM**

The ornamental design for a headphone, as shown and described.

DESCRIPTION

FIG. 1 is a first perspective view of a headphone showing my new design;

FIG. 2 is a front view thereof;

FIG. 3 is a back view thereof;

FIG. 4 is a left side view thereof;

FIG. 5 is a right side view thereof;

FIG. 6 is a top view thereof;

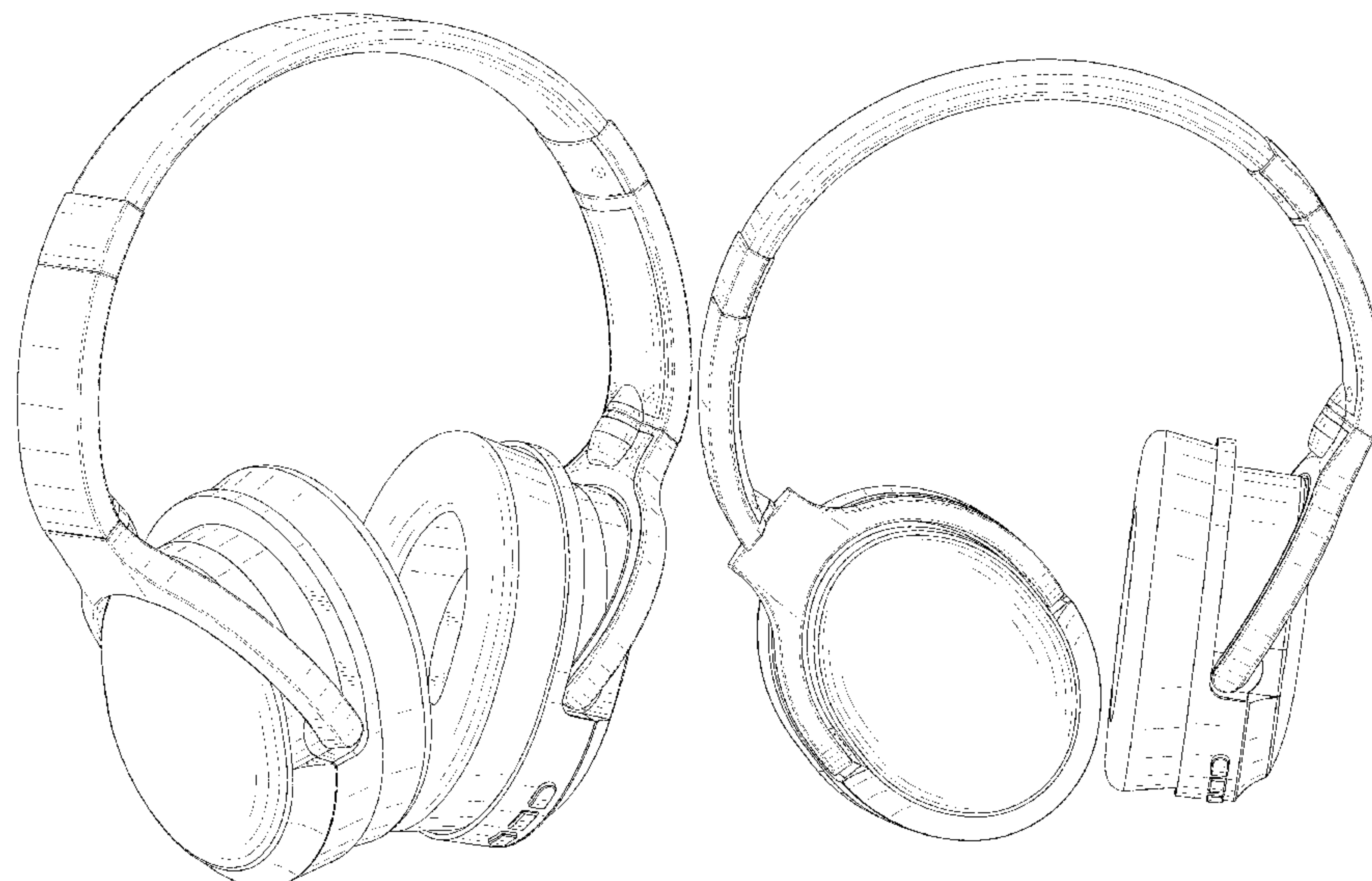
FIG. 7 is a bottom view thereof;

FIG. 8 is a perspective view of the headphone in another position thereof; and,

FIG. 9 is a perspective view of the headphone in another position thereof.

The broken lines shown in the drawings depict portions of the headphone in which the design is embodied that form no part of the claimed design.

1 Claim, 9 Drawing Sheets



(56)

References Cited

U.S. PATENT DOCUMENTS

D872,706	S *	1/2020	Takubo	D14/205
D879,065	S *	3/2020	Chan	D14/205
D879,741	S *	3/2020	Hu	D14/205
D885,683	S *	5/2020	Qiu	D29/112
D918,171	S *	5/2021	Nakayama	D14/205
D919,603	S *	5/2021	Xia	D14/223
D923,600	S *	6/2021	Shibukawa	D14/205
D928,114	S *	8/2021	Terazaki	D14/205
D944,759	S *	3/2022	Vaclavik	D14/205
D944,761	S *	3/2022	Lee	D14/205
D945,981	S *	3/2022	Rois	D14/205
2016/0193085	A1 *	7/2016	Jenkins	H04R 1/1083 181/129
2017/0064436	A1 *	3/2017	Tamura	H04R 1/1066
2018/0220224	A1 *	8/2018	Chute	H04R 1/1008
2021/0067856	A1 *	3/2021	Kato	H04R 5/033
2022/0225007	A1 *	7/2022	Mehandjiysky	H04R 5/0335

* cited by examiner

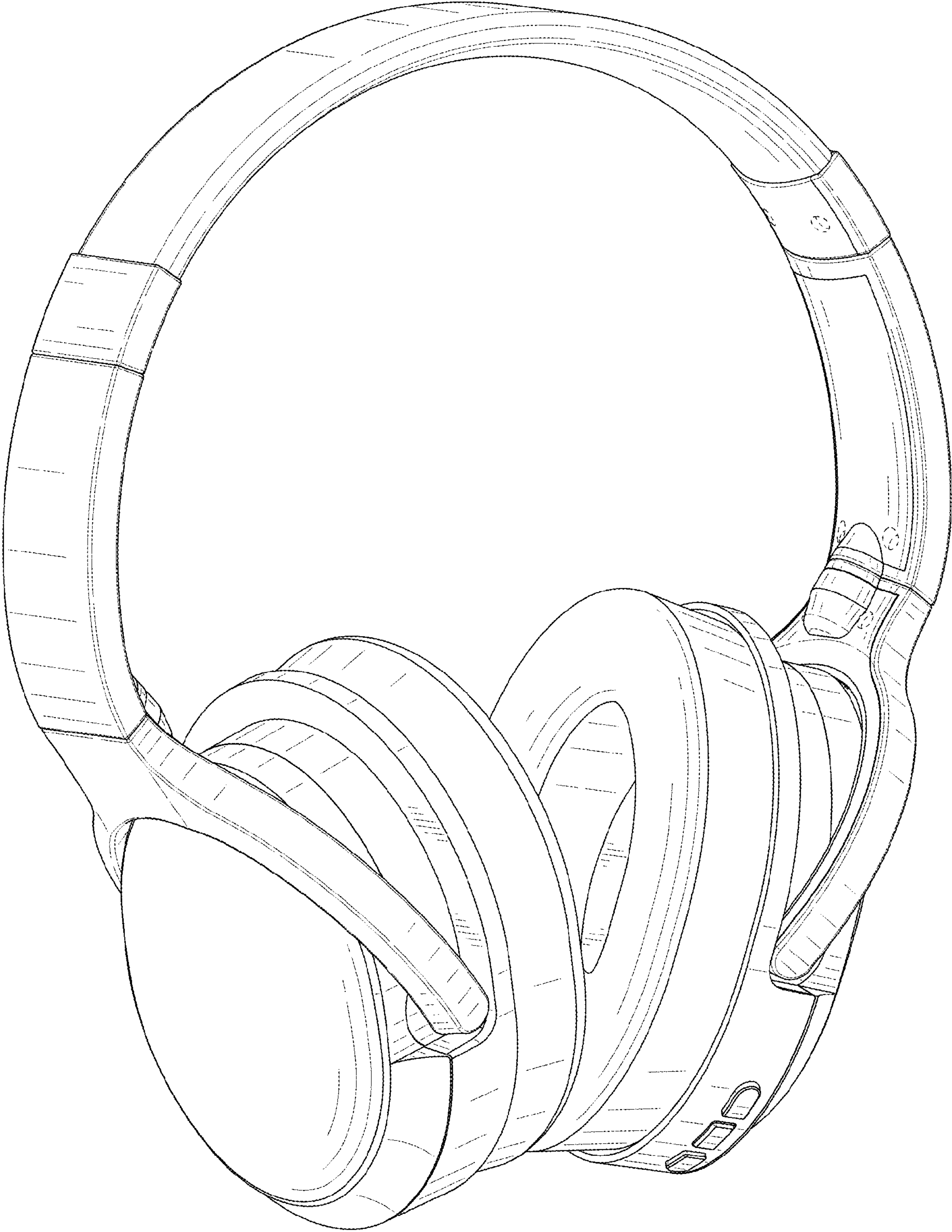


FIG. 1



FIG. 2



FIG. 3

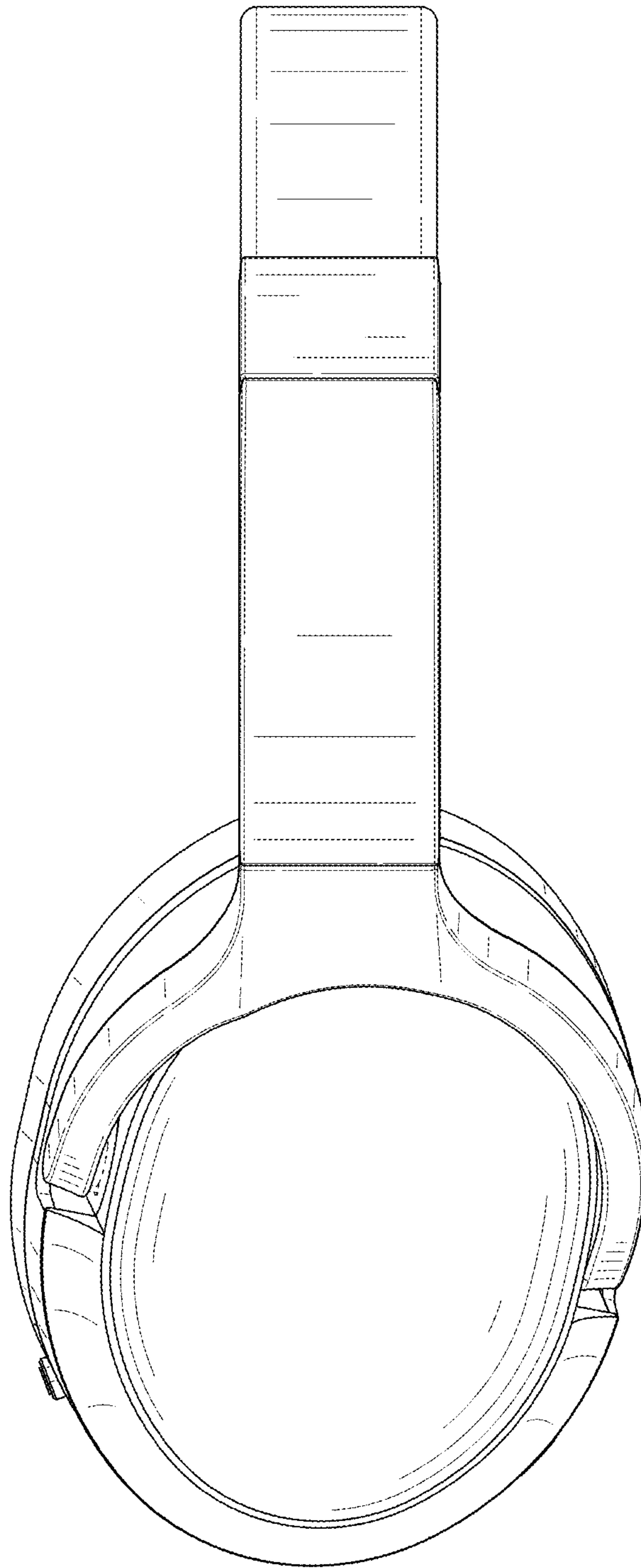


FIG. 4

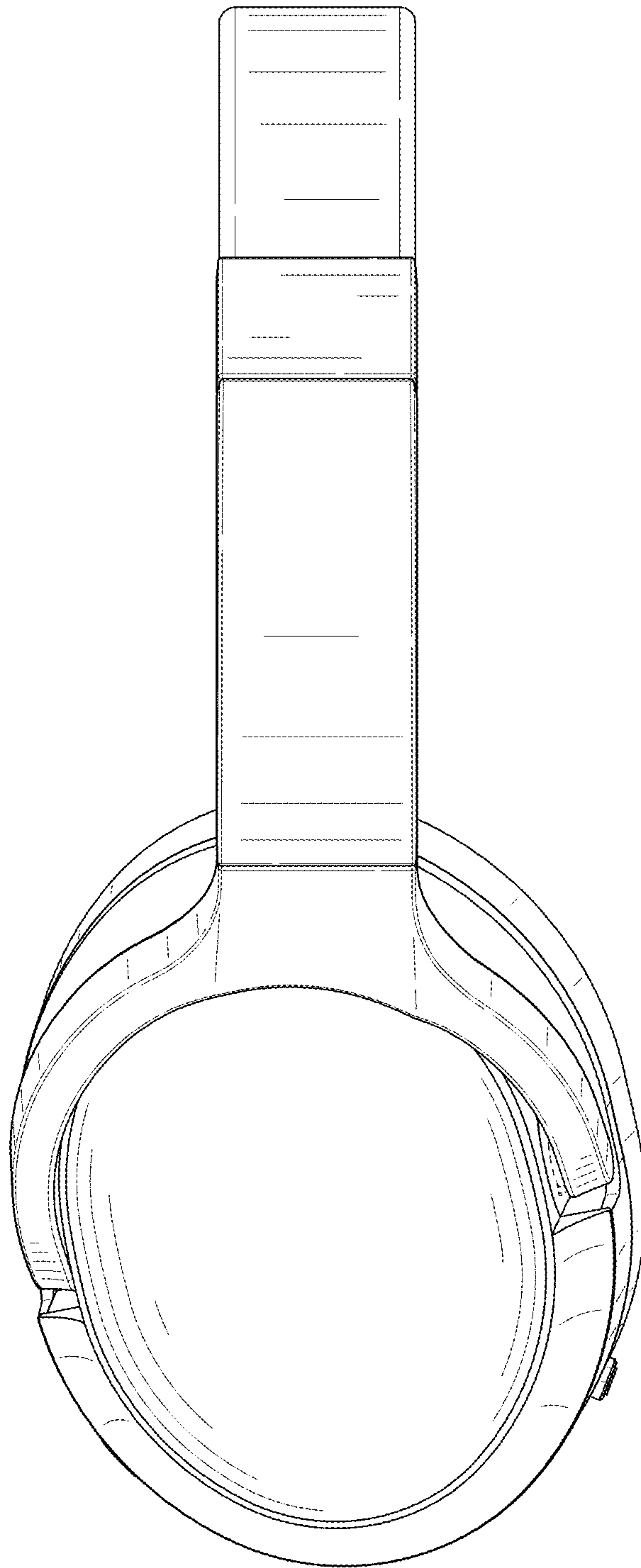


FIG. 5

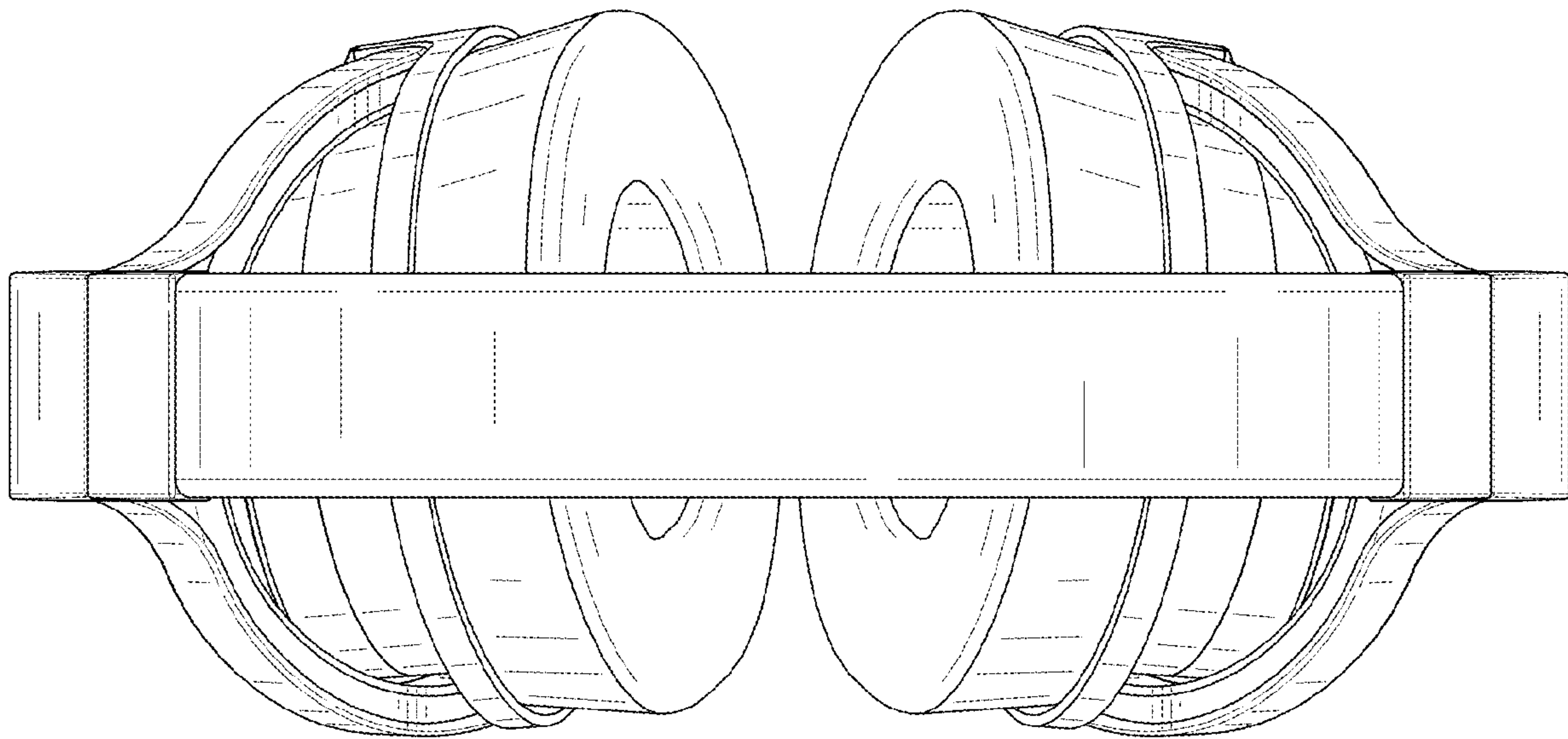


FIG. 6

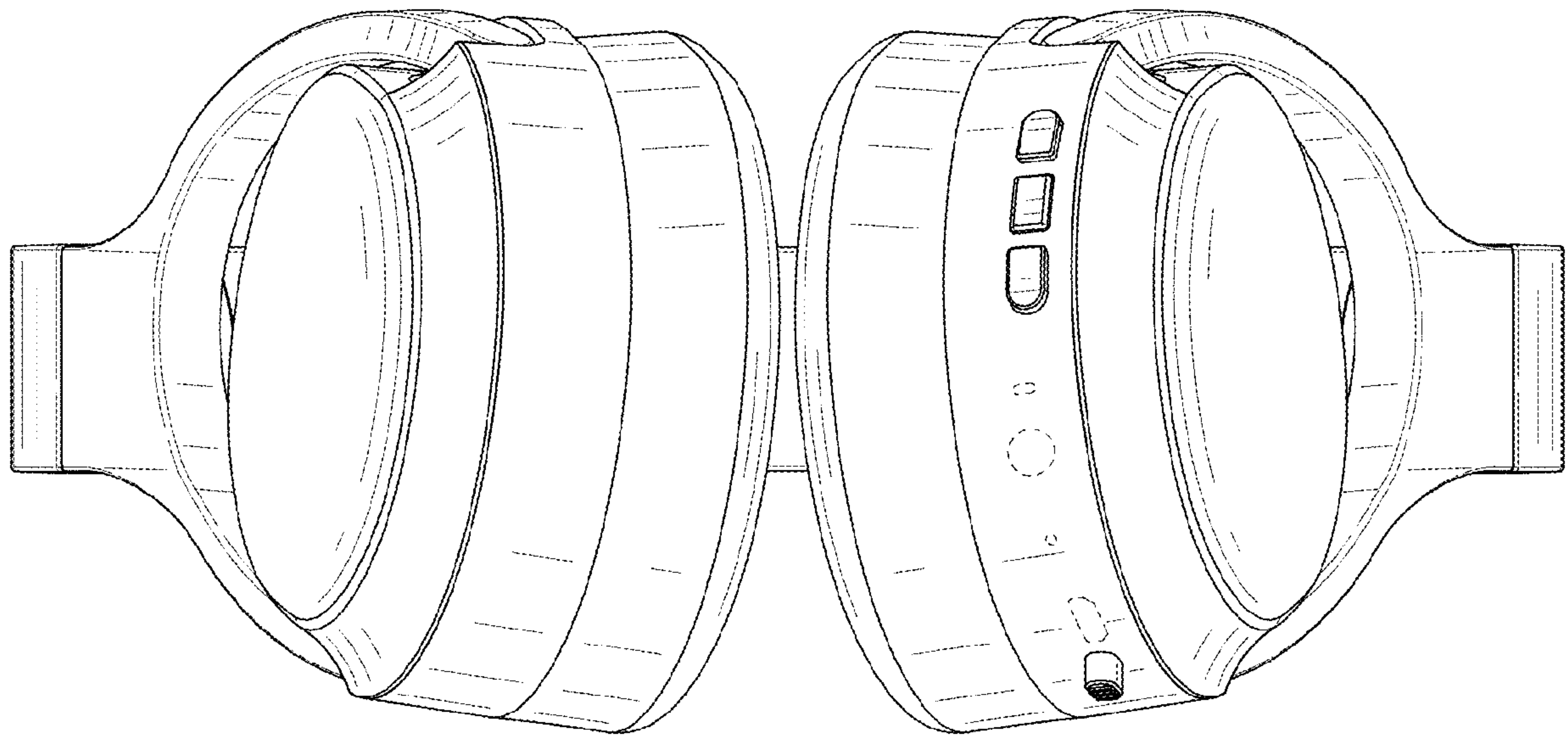


FIG. 7

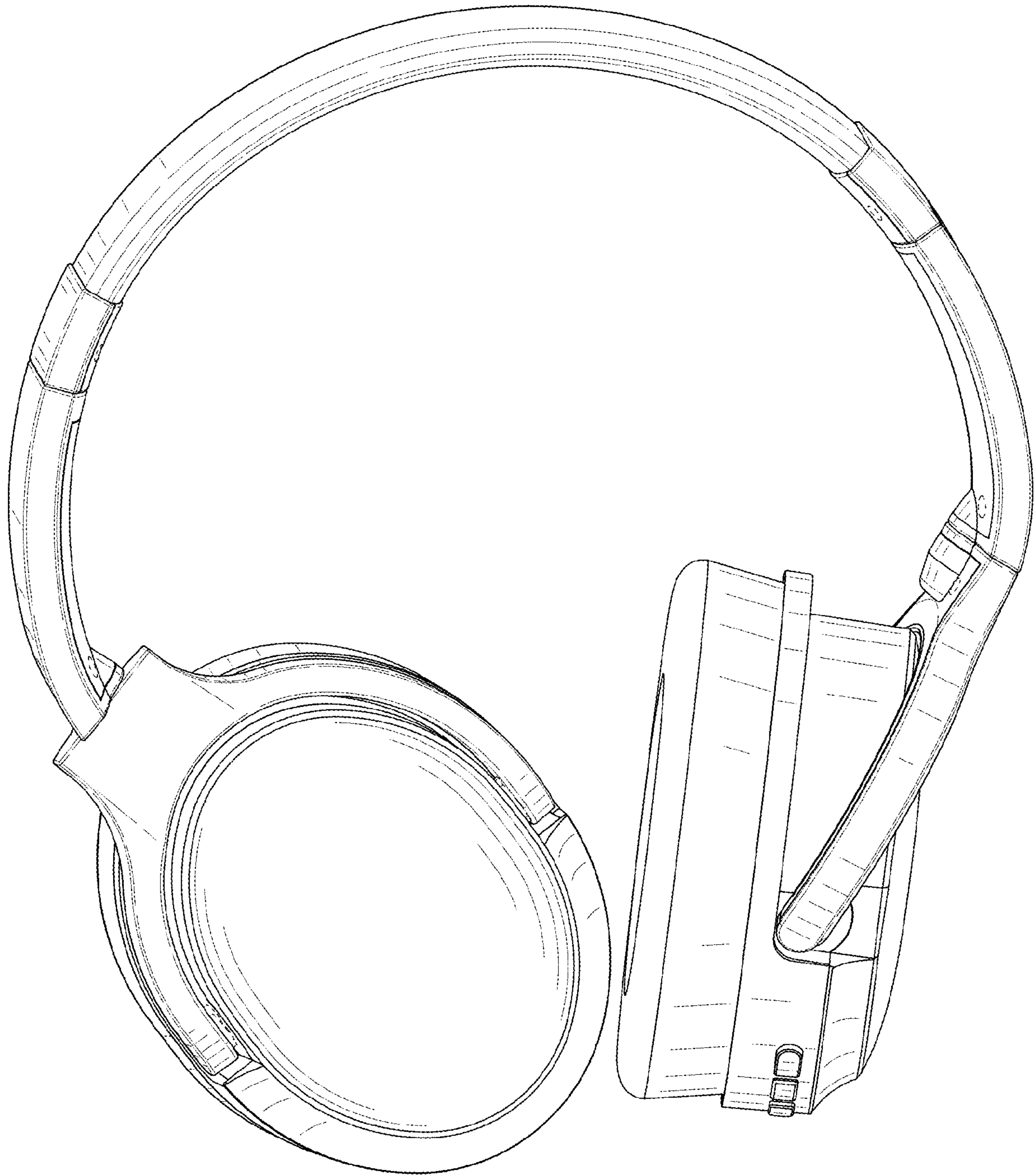


FIG. 8

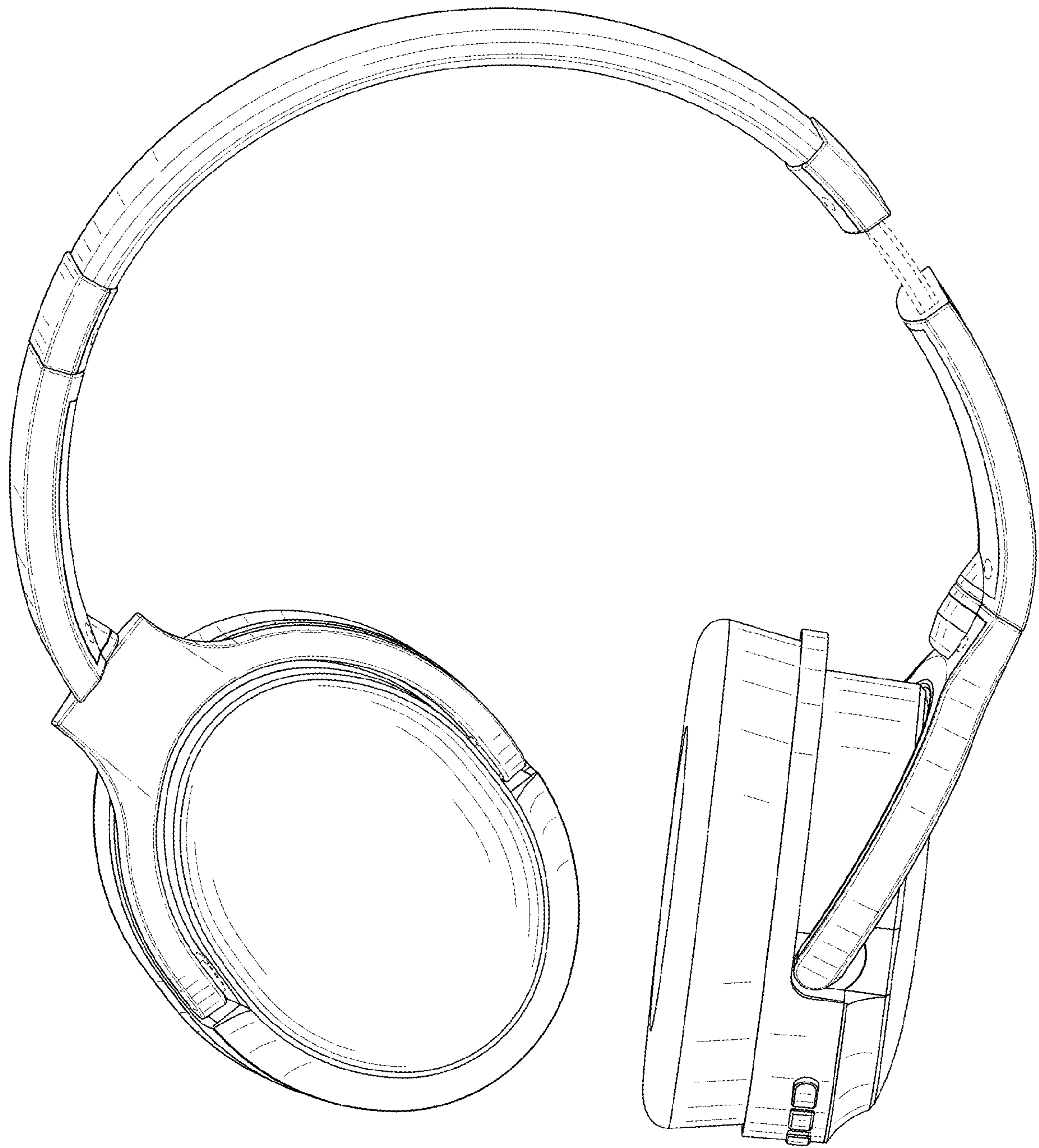


FIG. 9