



US00D974323S

(12) **United States Design Patent** (10) **Patent No.:** **US D974,323 S**
Lee (45) **Date of Patent:** **** Jan. 3, 2023**

(54) **SPEAKER SYSTEM WITH COVERS**

(71) Applicant: **True Lee Loudspeakers, LLC**, Los Angeles, CA (US)

(72) Inventor: **David John Lee**, Los Angeles, CA (US)

(73) Assignee: **True Lee Loudspeakers, LLC**, Los Angeles, CA (US)

(**) Term: **15 Years**

(21) Appl. No.: **29/740,667**

(22) Filed: **Jul. 6, 2020**

(51) **LOC (14) Cl.** **14-01**

(52) **U.S. Cl.**
USPC **D14/204**

(58) **Field of Classification Search**
USPC D14/203.3, 204, 209.1, 210, 211, 216
CPC H04R 1/02; H04R 2499/11; H04R 1/025
See application file for complete search history.

(56) **References Cited**

U.S. PATENT DOCUMENTS

D271,969 S *	12/1983	Saidel	D14/219
D324,522 S *	3/1992	Bruss	D14/204
D596,196 S *	7/2009	Laituri	D14/496
8,180,095 B2 *	5/2012	Zhang	H04R 1/025
				381/387
2019/0132660 A1 *	5/2019	White	H04R 1/026

* cited by examiner

Primary Examiner — Khawaja Anwar

Assistant Examiner — Megan Tiana Rakos

(74) *Attorney, Agent, or Firm* — Mahesh Law Group PC;
Kumar Maheshwari

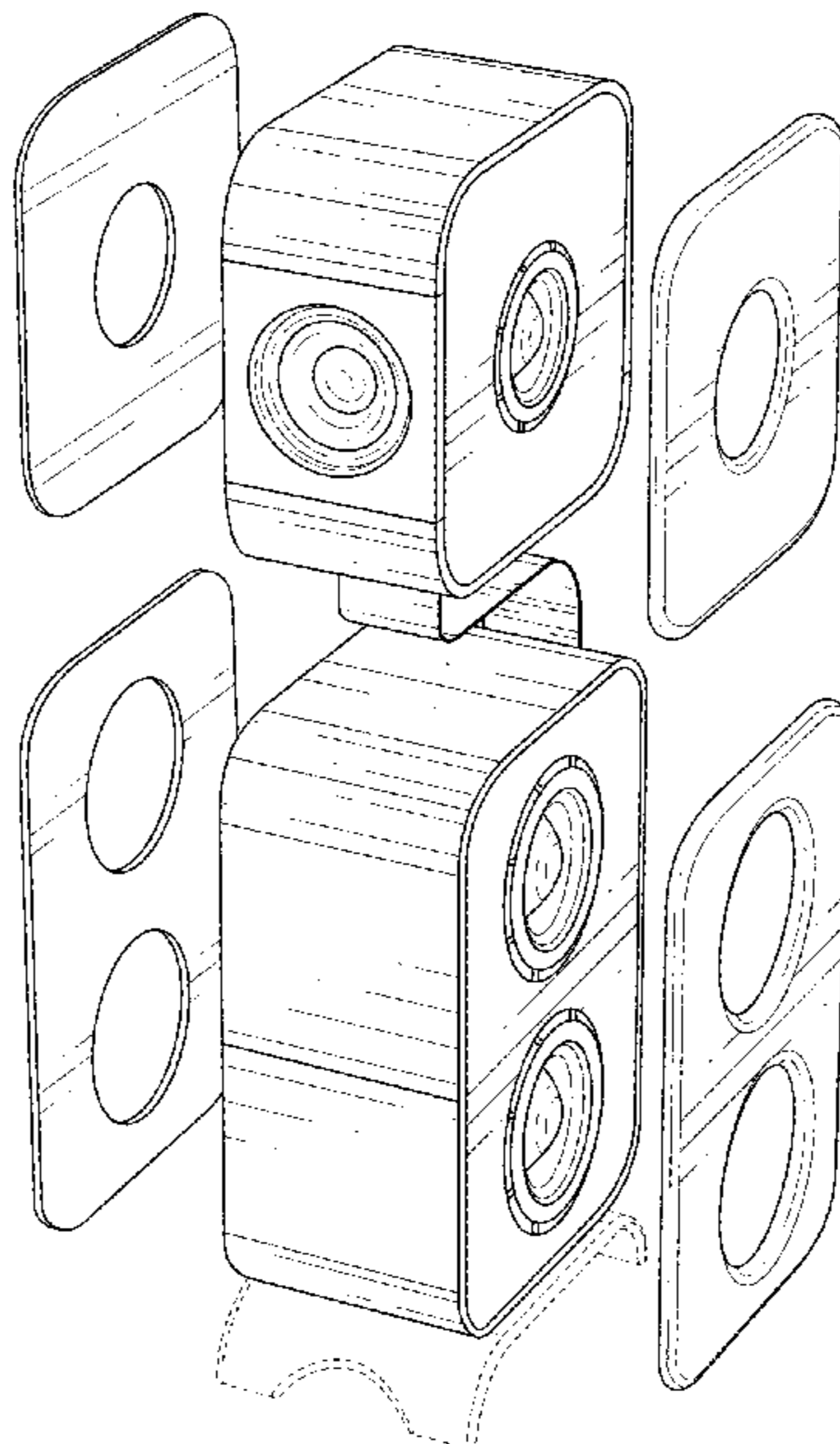
(57) **CLAIM**

The ornamental design for a speaker system with covers, as shown and described.

DESCRIPTION

FIG. 1 is a perspective view of an embodiment of a speaker system with covers;
 FIG. 2 is a different angle perspective view of the speaker system with covers from FIG. 1;
 FIG. 3 is a front view of the speaker system with covers FIG. 1;
 FIG. 4 is a back view of the speaker system with covers from FIG. 1;
 FIG. 5 is a left side view of the speaker system with covers from FIG. 1;
 FIG. 6 is a right side view of the speaker system with covers from FIG. 1;
 FIG. 7 is a top view of the speaker system with covers from FIG. 1;
 FIG. 8 is a bottom view of the speaker system with covers from FIG. 1;
 FIG. 9 is a perspective view of another embodiment of the speaker system with covers in accordance with the present disclosure;
 FIG. 10 is a different angle perspective view of the speaker system with covers from FIG. 9;
 FIG. 11 is a back view of the speaker system with covers from FIG. 9;
 FIG. 12 is a front view of the speaker system with covers from FIG. 9;
 FIG. 13 is a right side view of the speaker system with covers from FIG. 9;
 FIG. 14 is a left side view of the speaker system with covers from FIG. 9;
 FIG. 15 is a top view of the speaker system with covers from FIG. 9; and,
 FIG. 16 is a bottom view of the speaker system with covers from FIG. 9.
 The broken lines in the drawings depict environment that forms no part of the claimed design.

1 Claim, 14 Drawing Sheets



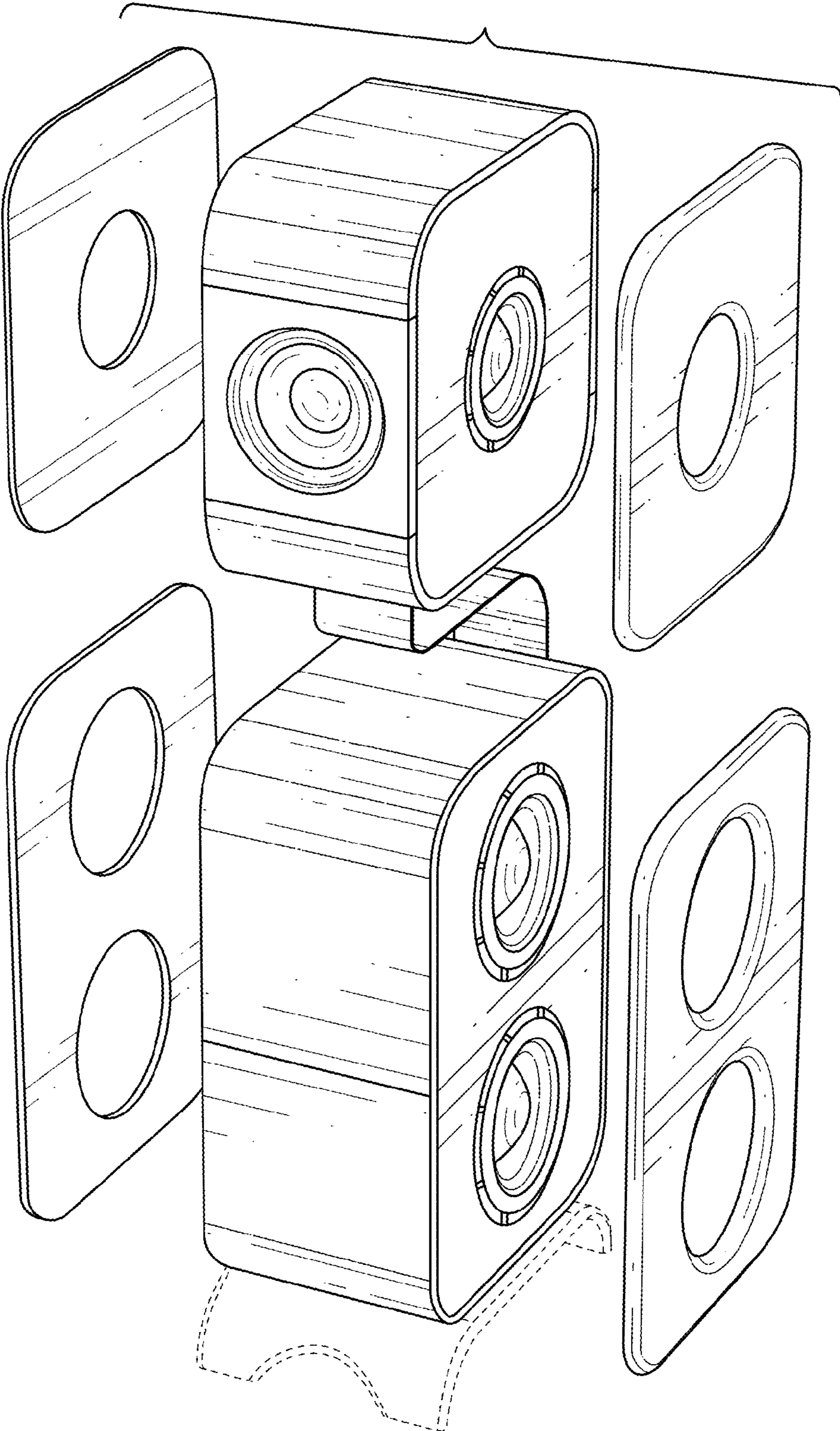


FIG. 1

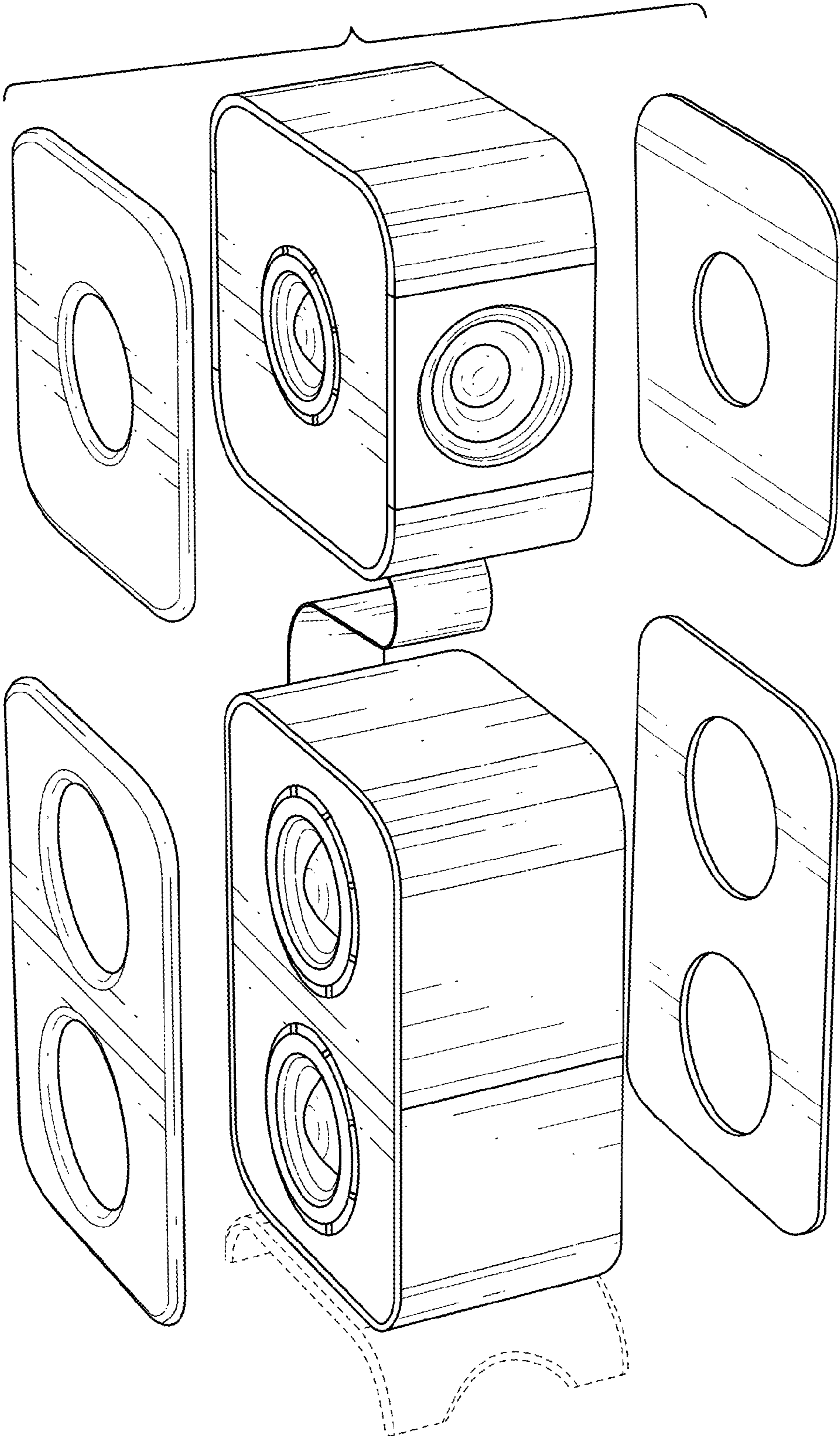


FIG. 2

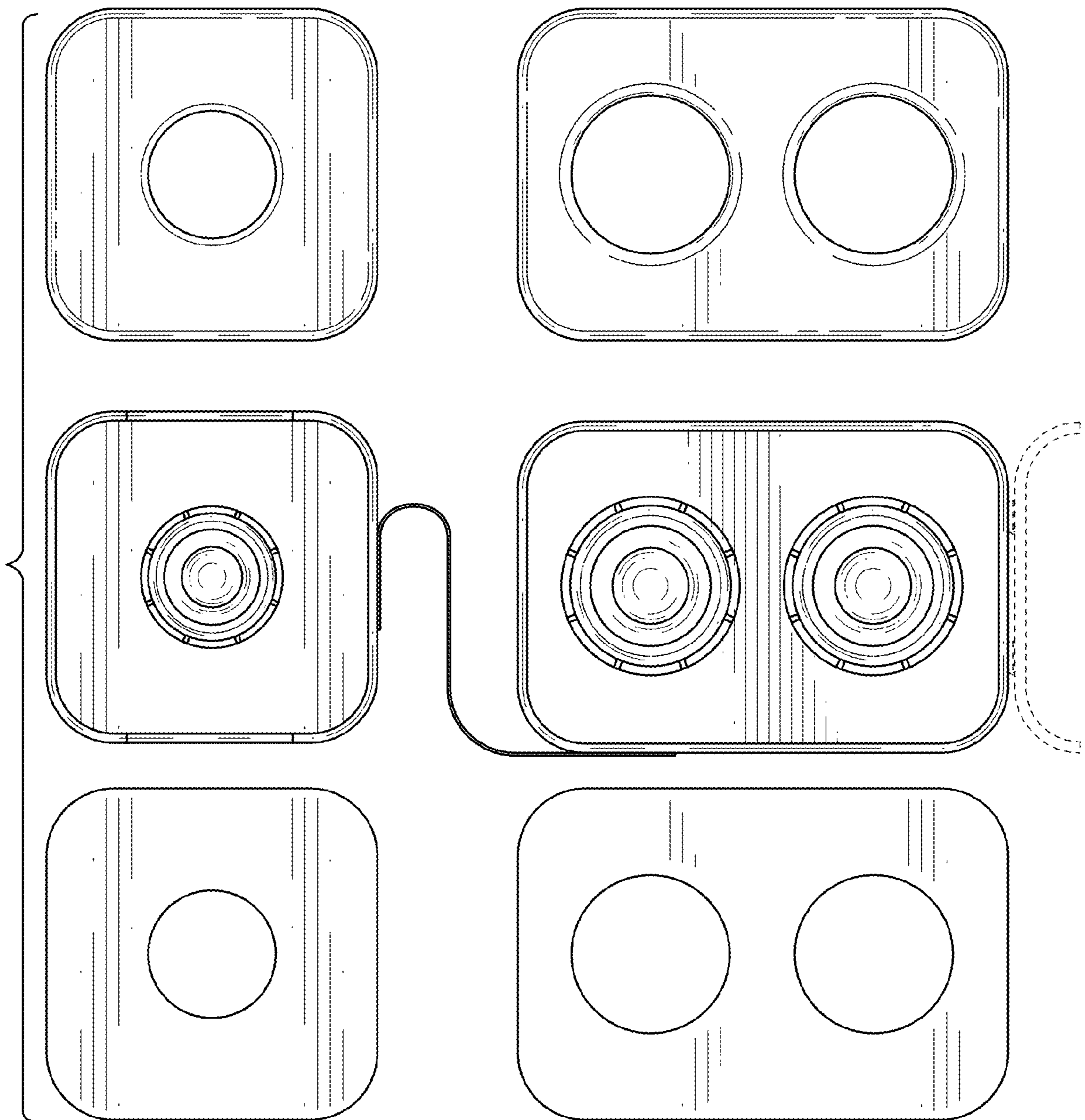


FIG. 3

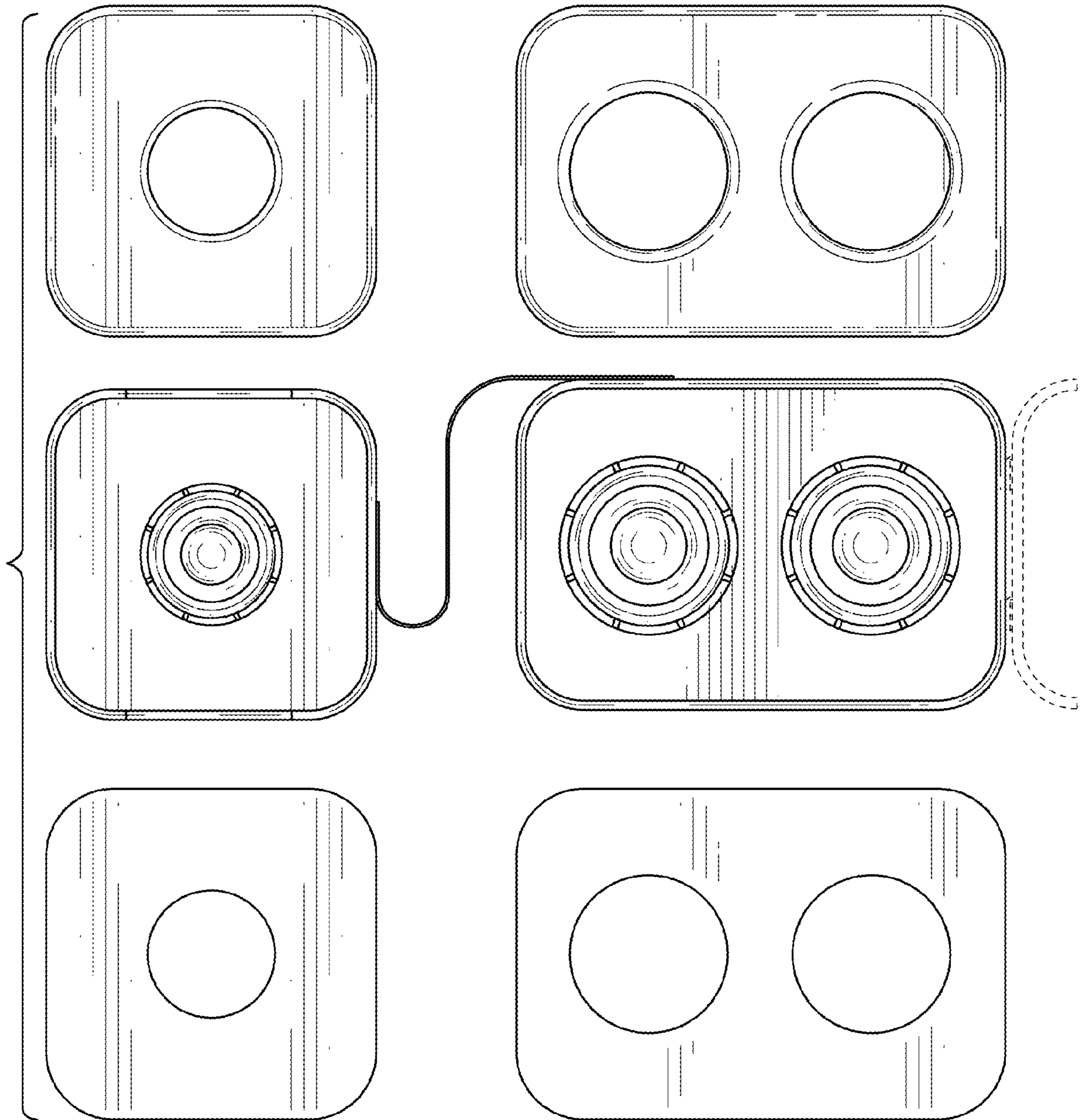


FIG. 4

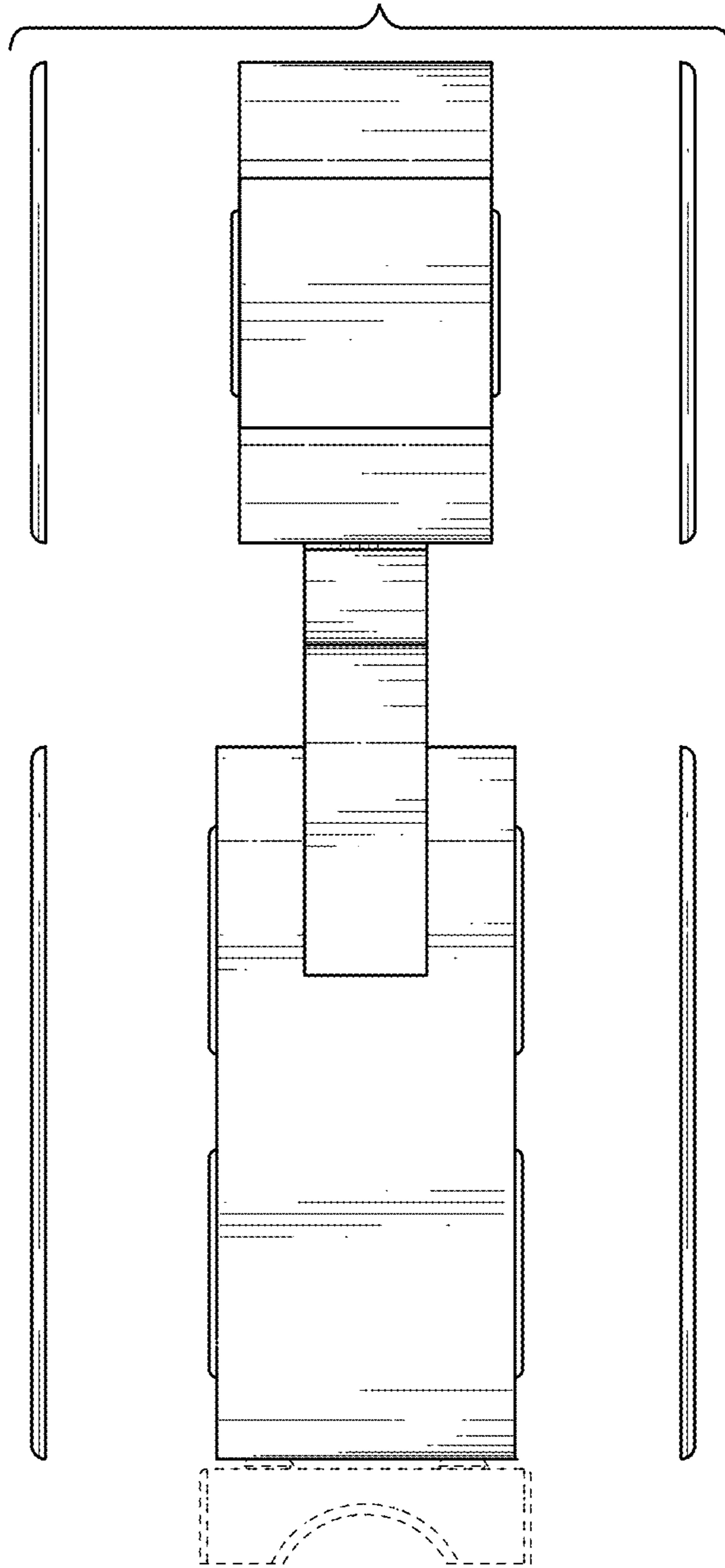


FIG. 5

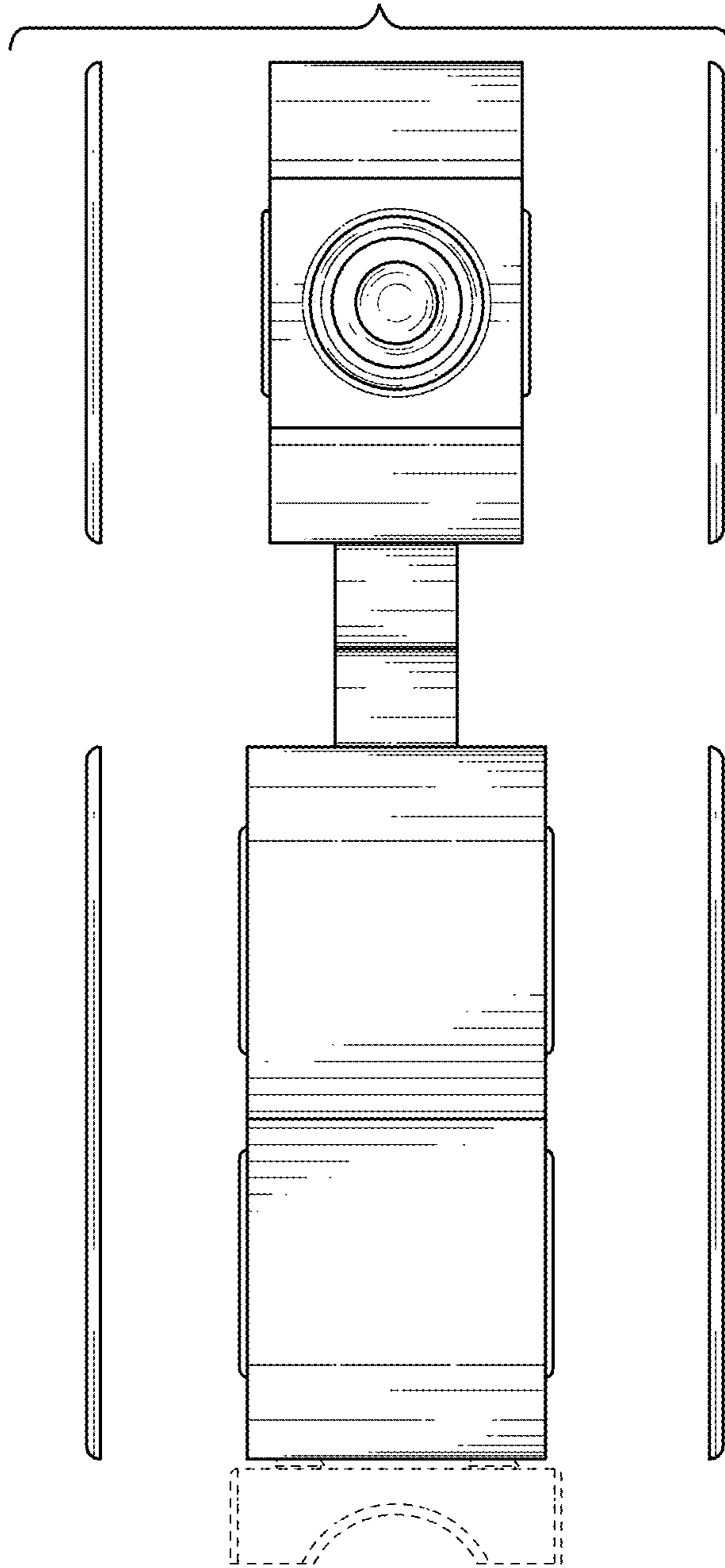


FIG. 6

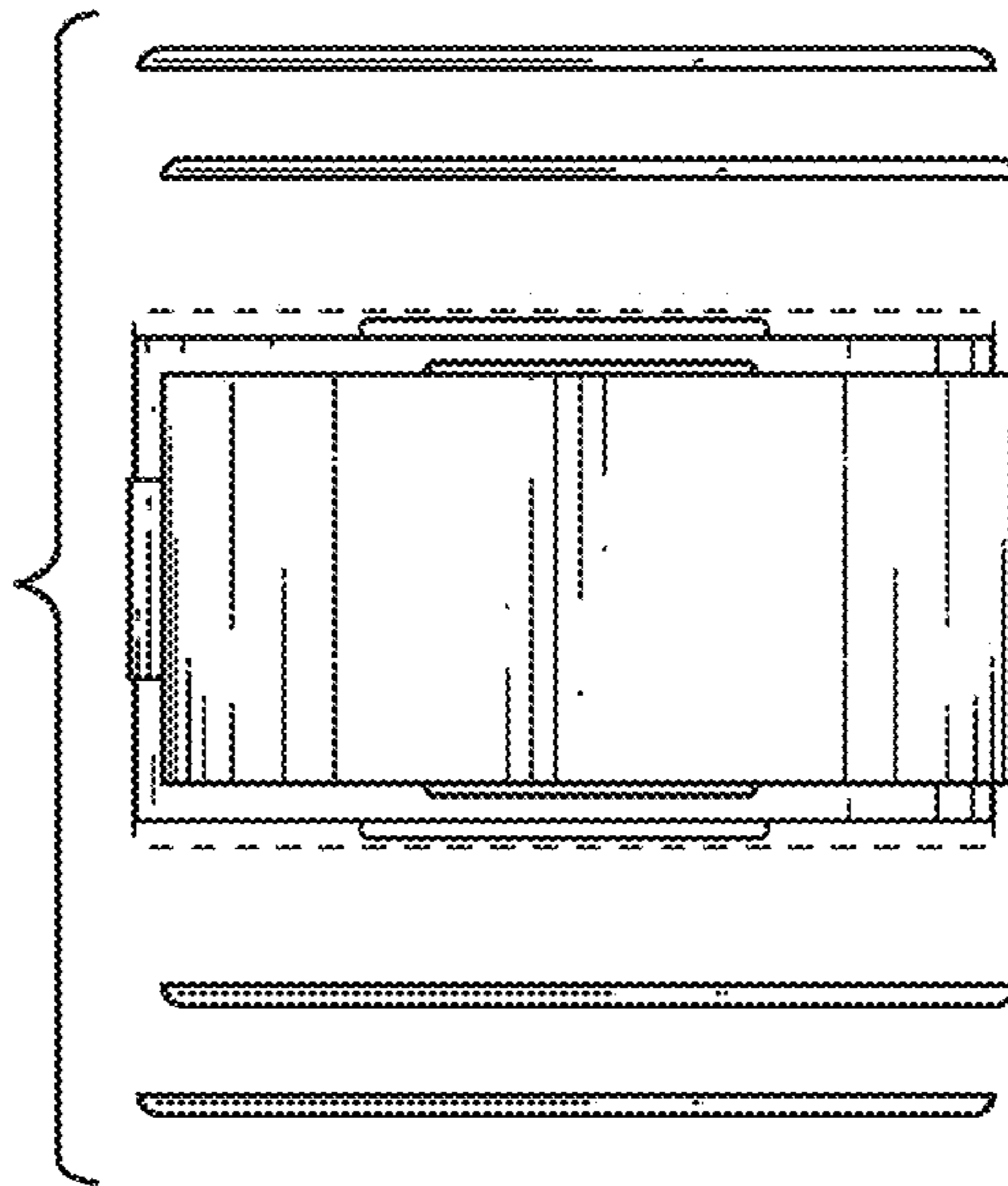


FIG. 7

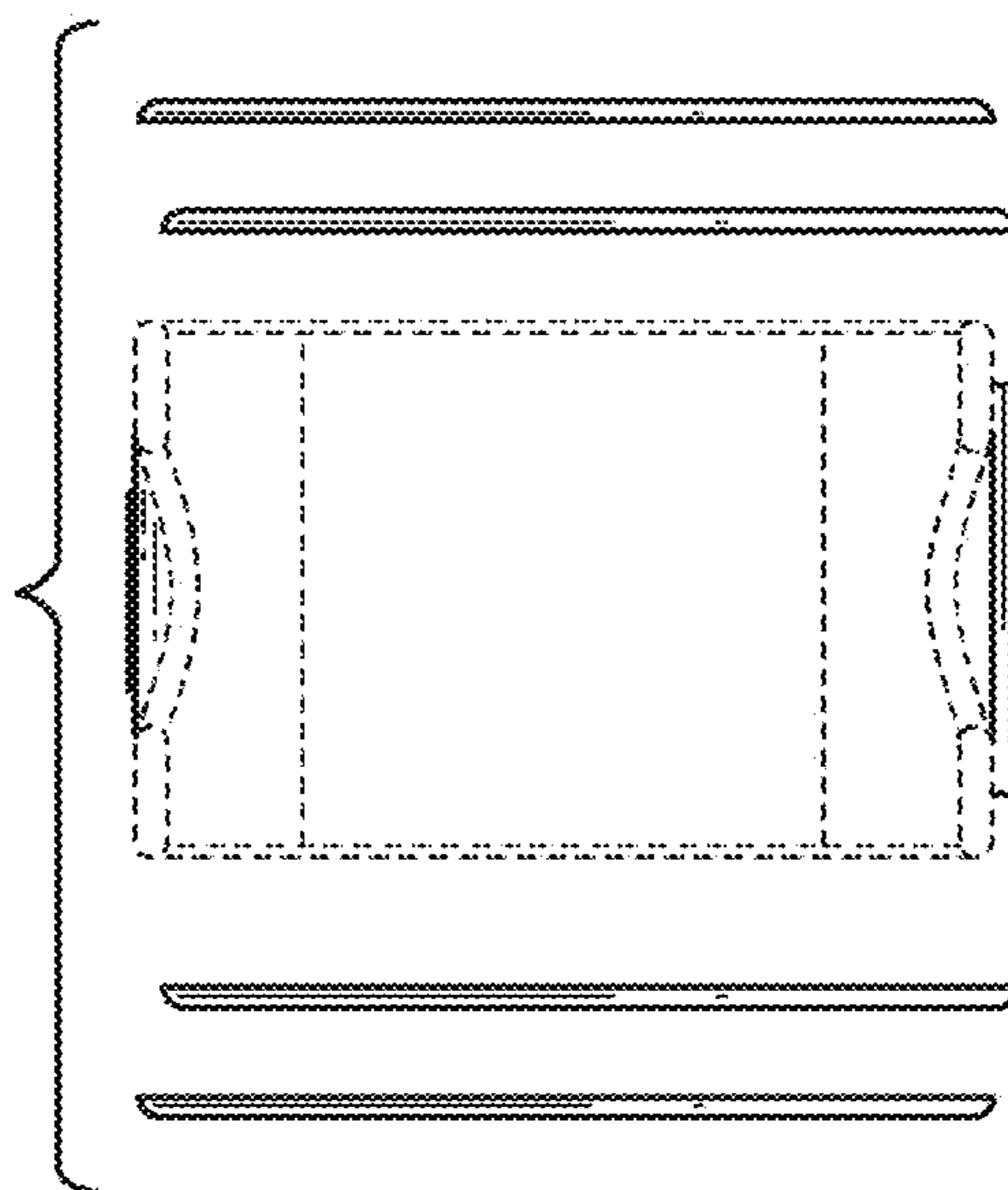


FIG. 8

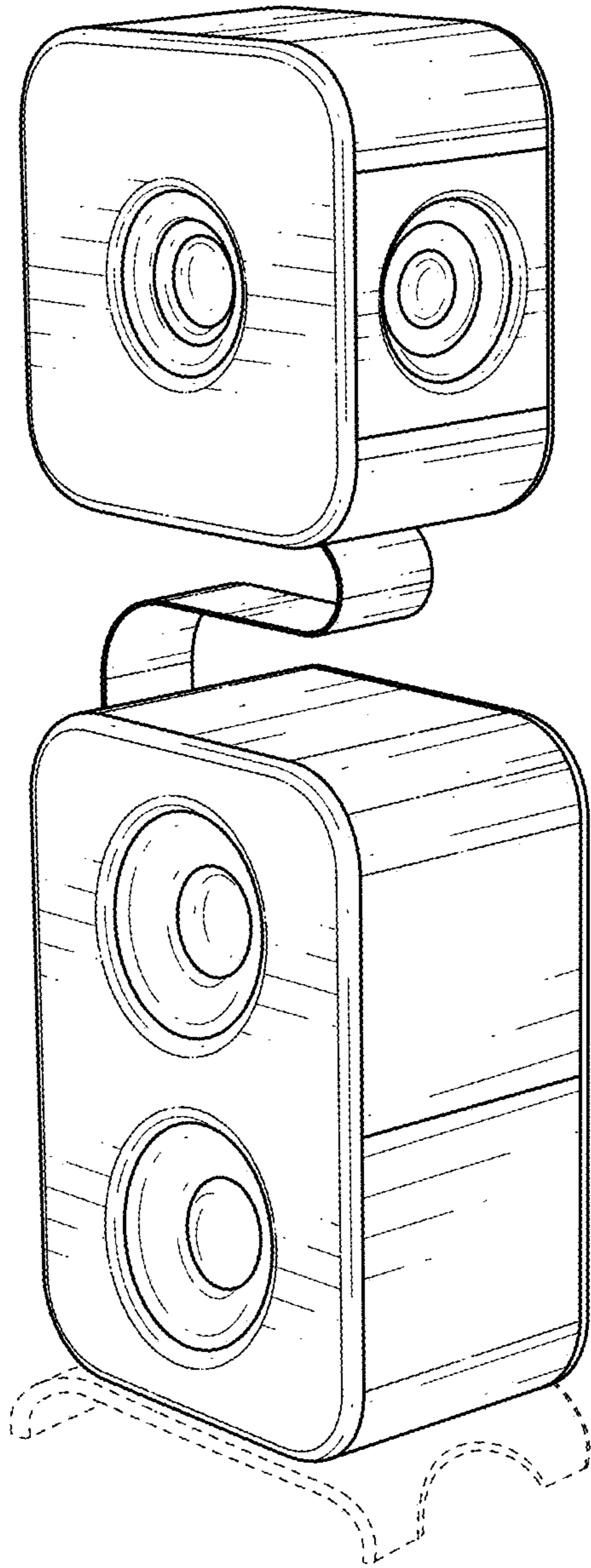


FIG. 9

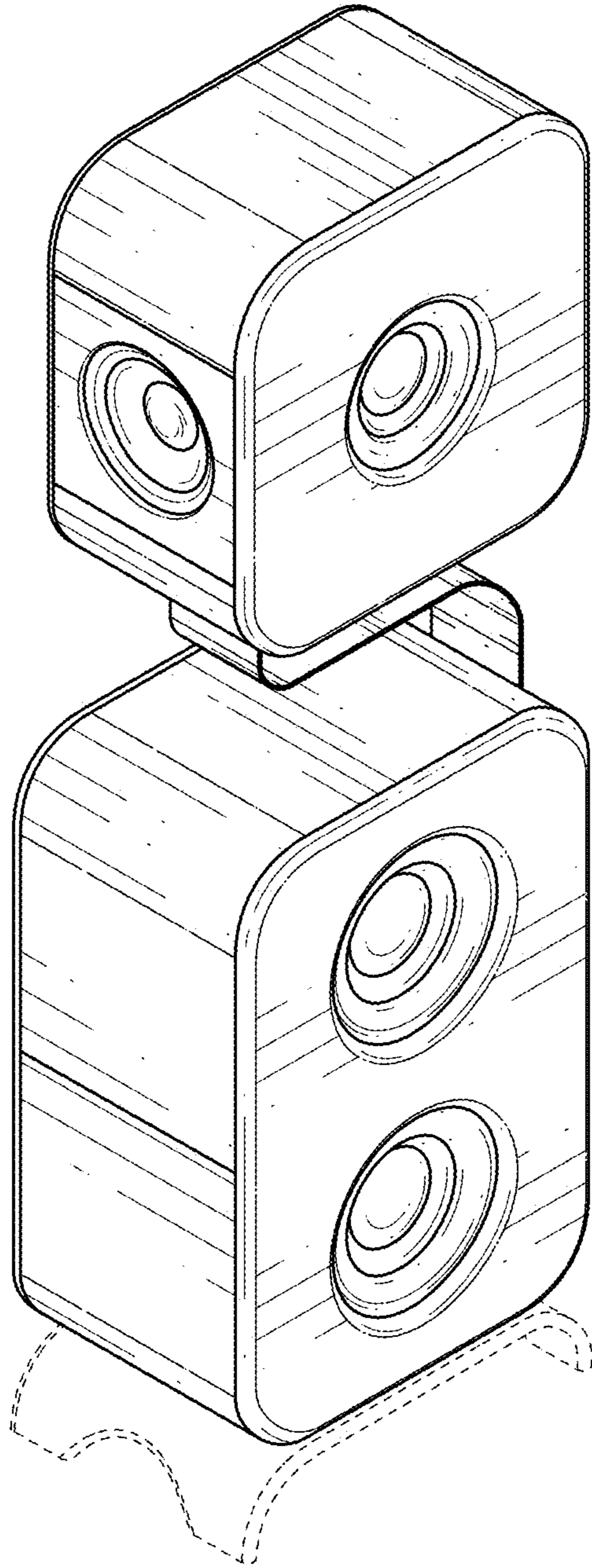


FIG. 10

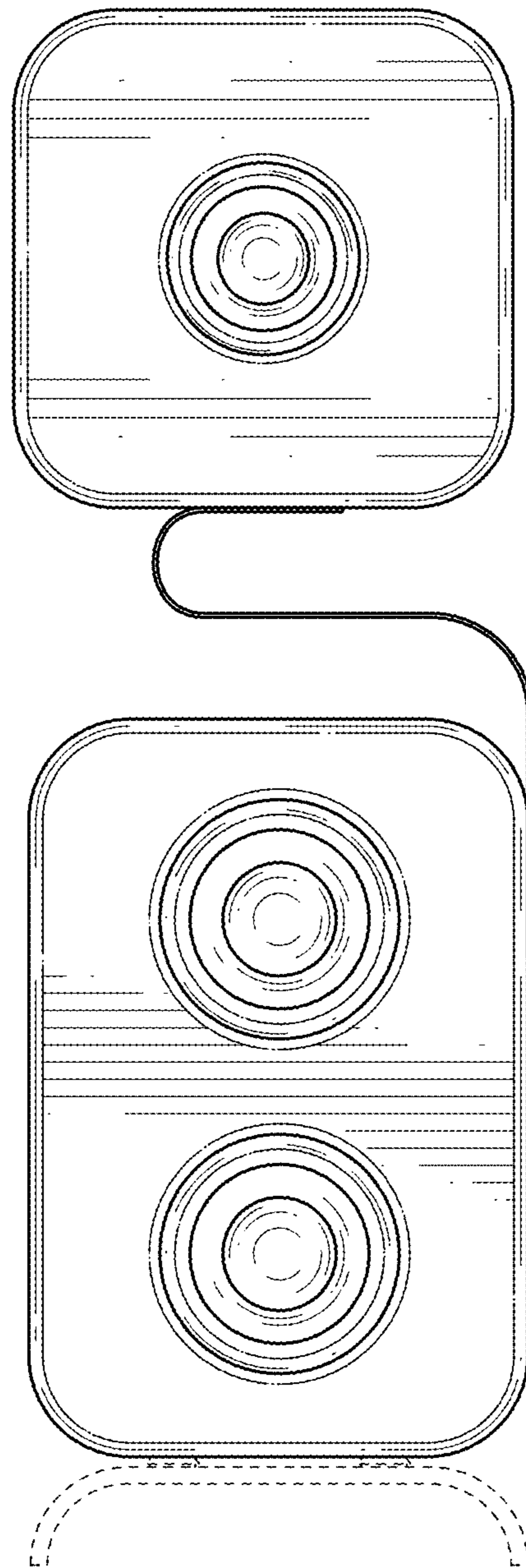


FIG. 11

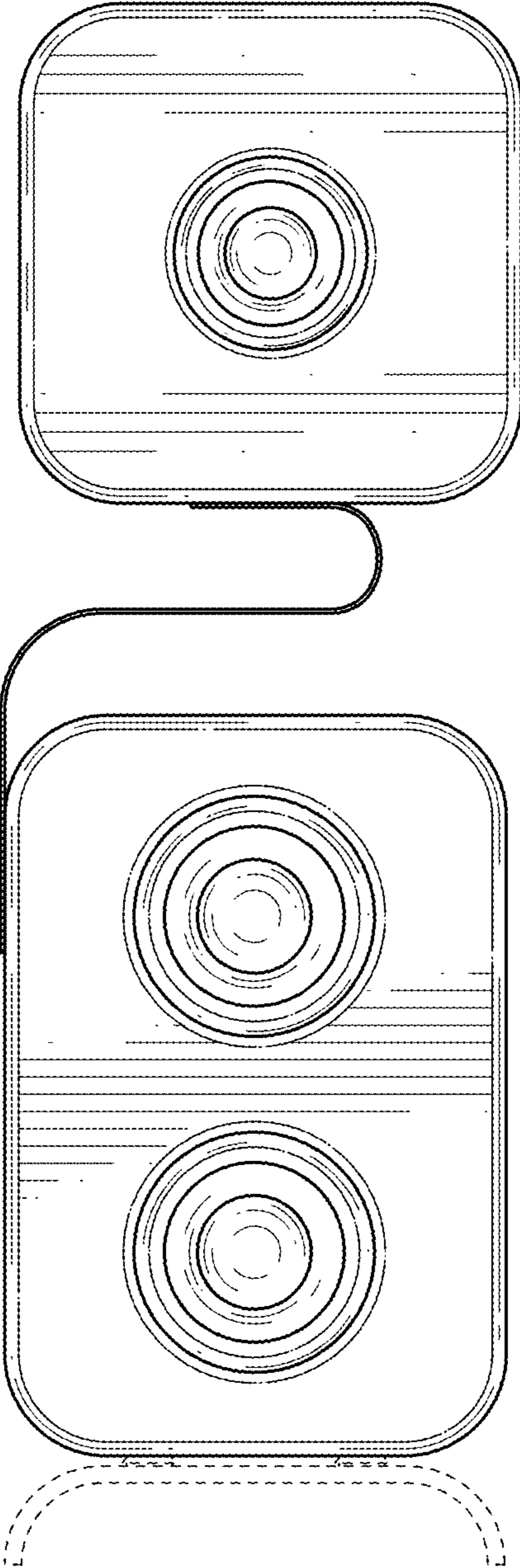


FIG. 12

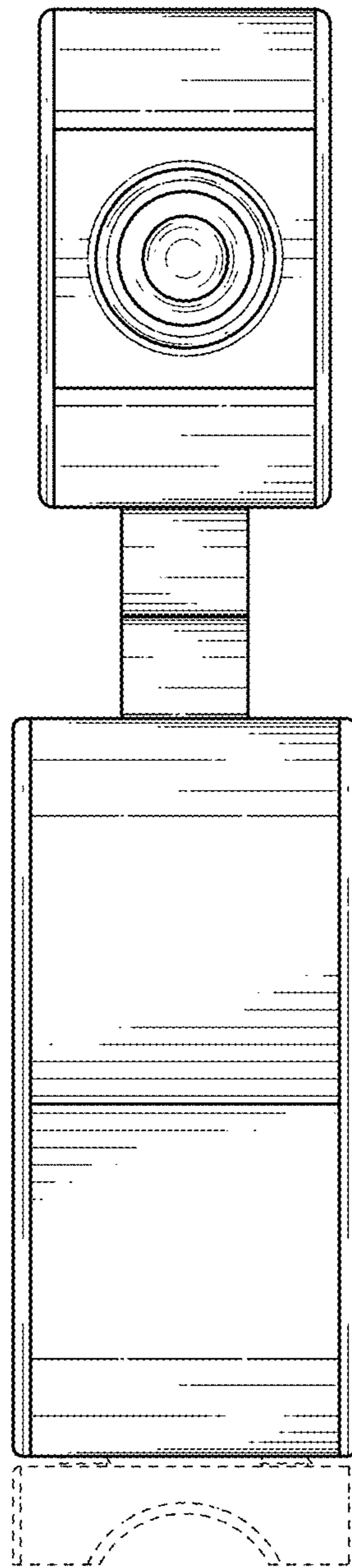


FIG. 13

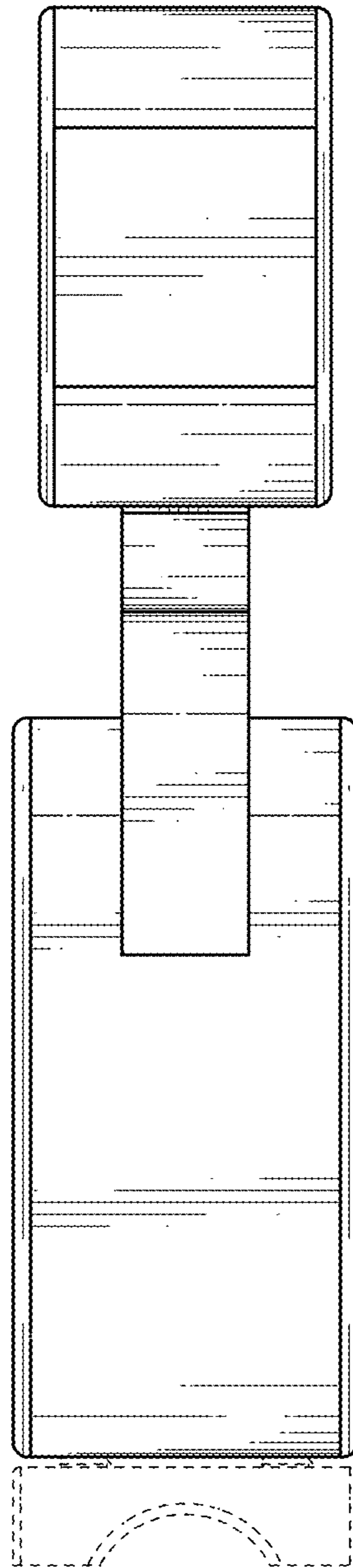


FIG. 14

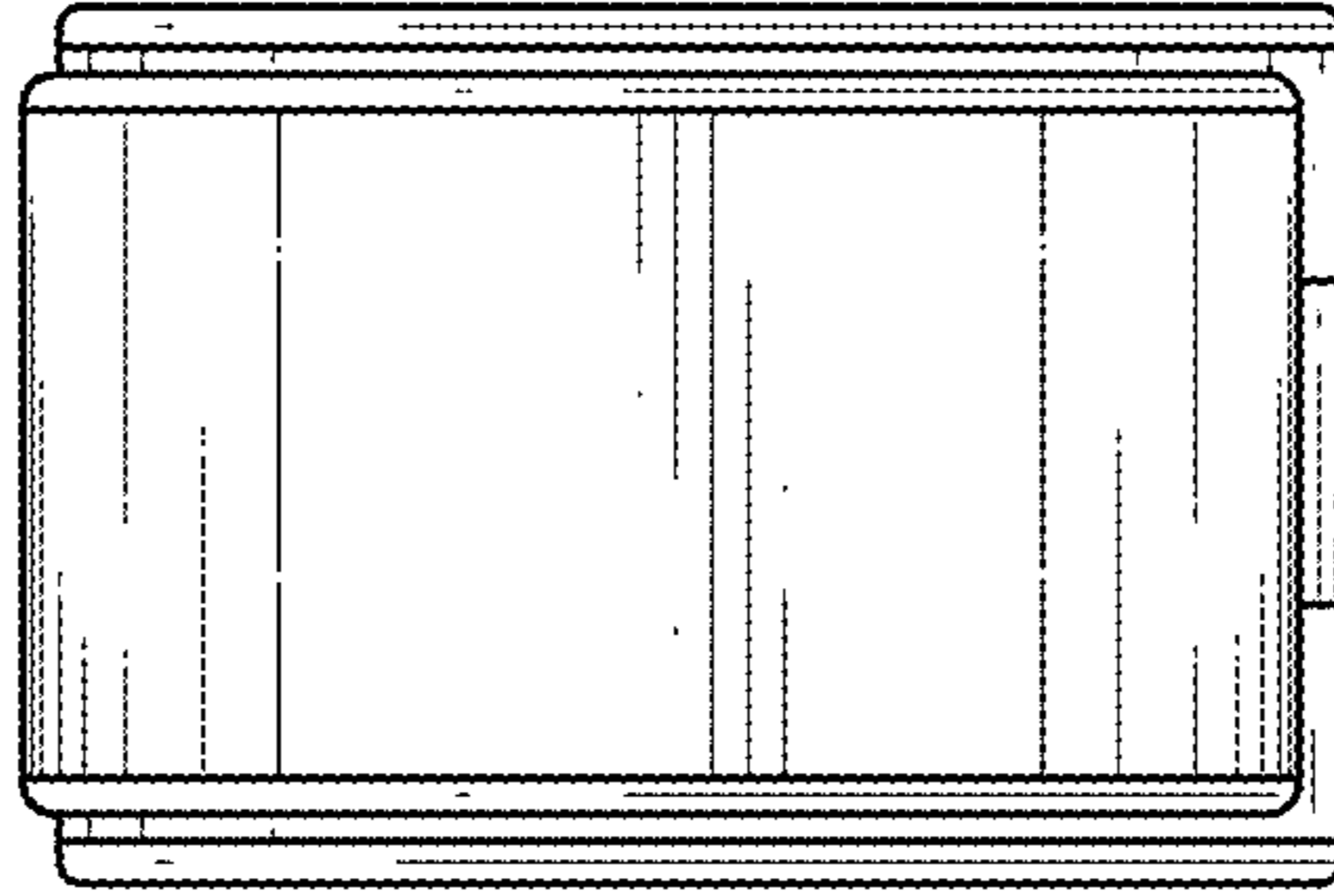


FIG. 15

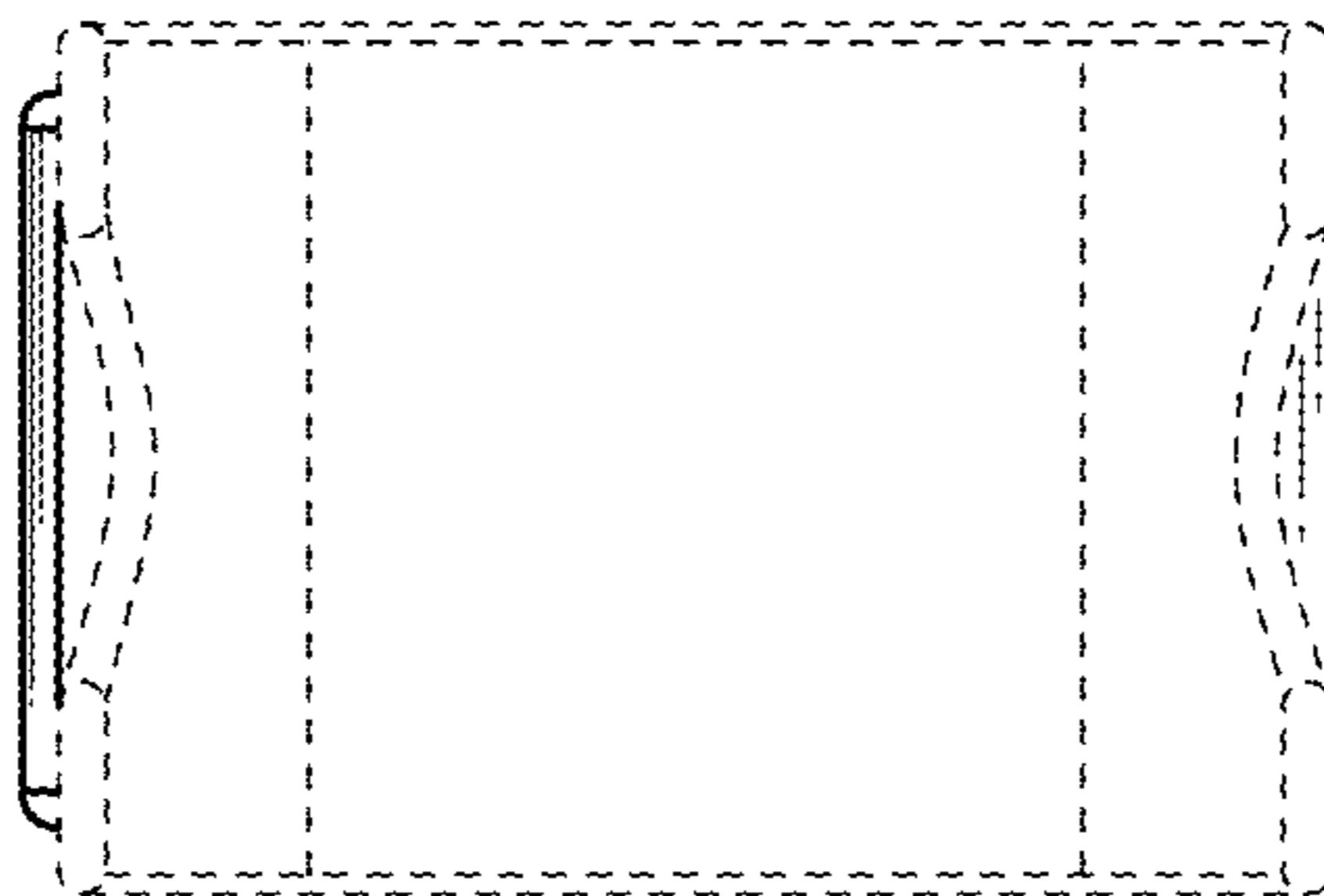


FIG. 16