



US00D974320S

(12) **United States Design Patent**
Konda et al.

(10) **Patent No.:** **US D974,320 S**
(45) **Date of Patent:** **** Jan. 3, 2023**

- (54) **BABY MONITOR SYSTEM WEARABLE**
- (71) Applicant: **SYNERGEN Technology Labs, LLC**,
Dallas, TX (US)
- (72) Inventors: **Sunil Konda**, Dallas, TX (US); **Mel**
Gunawardena, Dallas, TX (US);
Pradeep Pathirana, Dallas, TX (US);
Prabath Gallage, Dallas, TX (US)
- (73) Assignee: **SYNERGEN Technology Labs, Inc.**,
Dallas, TX (US)
- (**) Term: **15 Years**
- (21) Appl. No.: **29/750,451**
- (22) Filed: **Sep. 14, 2020**

Related U.S. Application Data

- (63) Continuation of application No. 16/885,030, filed on
May 27, 2020, now Pat. No. 10,987,484.
- (51) **LOC (14) Cl.** **14-03**
- (52) **U.S. Cl.**
USPC **D14/159**
- (58) **Field of Classification Search**
USPC D14/167, 154, 168, 188, 496, 156, 160,
D14/161, 162, 163, 164, 165, 158, 341,
D14/346, 342, 345, 137, 155, 218, 225;
D16/208; D26/38; 455/351, 350;
D10/104.1, 106, 65
CPC H04B 1/385; H04M 1/6091; H04M 1/6066
See application file for complete search history.

(56) **References Cited**

U.S. PATENT DOCUMENTS

D465,469 S *	11/2002	Heath	D10/104.1
D474,753 S *	5/2003	Blum	D13/168
D638,001 S *	5/2011	Nakhjiri	D14/242
D666,575 S *	9/2012	Marsh	D14/159
D768,114 S *	10/2016	Hou	D14/218
D828,333 S *	9/2018	Hu	D14/216
D863,249 S *	10/2019	Xie	D14/159
D885,367 S *	5/2020	Guo	D14/216
D933,046 S *	10/2021	Huang	D14/496
D935,430 S *	11/2021	Xie	D14/159

* cited by examiner

Primary Examiner — Austin Murphy

(74) *Attorney, Agent, or Firm* — Conley Rose, P.C.;
Jonathan K. Polk

(57) **CLAIM**

We claim the ornamental design for a baby monitor system wearable, as shown and described.

DESCRIPTION

FIG. 1 is a bottom right perspective view and a top left perspective view of a baby monitor system wearable according to an embodiment.

FIG. 2 is a front perspective view thereof.

FIG. 3 is a top plan view thereof.

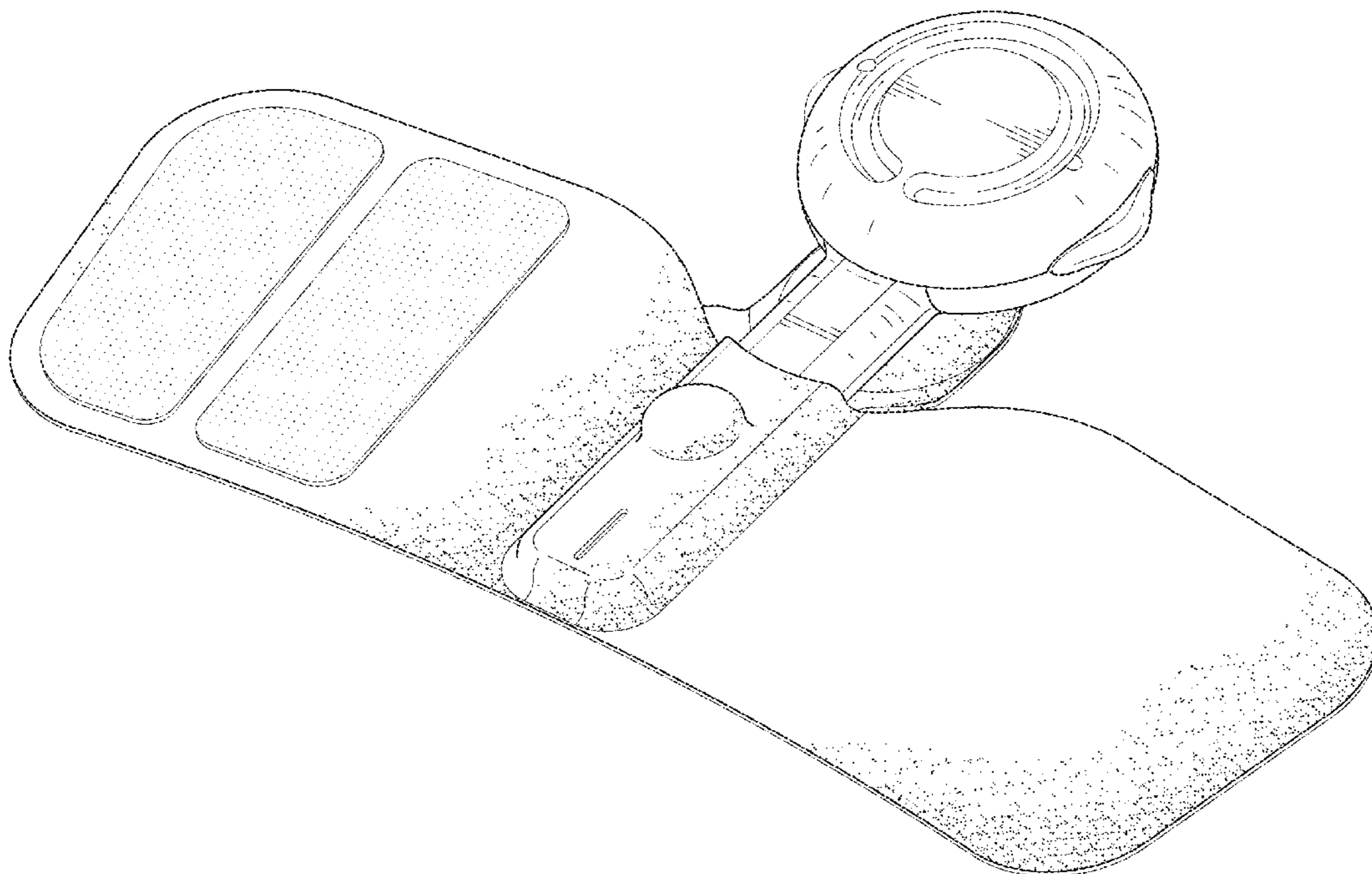
FIG. 4 is a top right perspective view thereof.

FIG. 5 is a top right perspective view thereof; and,

FIG. 6 is a bottom right perspective view and a top left perspective view of a baby monitor system wearable monitor according to another embodiment.

The broken lines in the drawings are shown for the purpose of depicting the environment of the design and form no part of the claim.

1 Claim, 6 Drawing Sheets



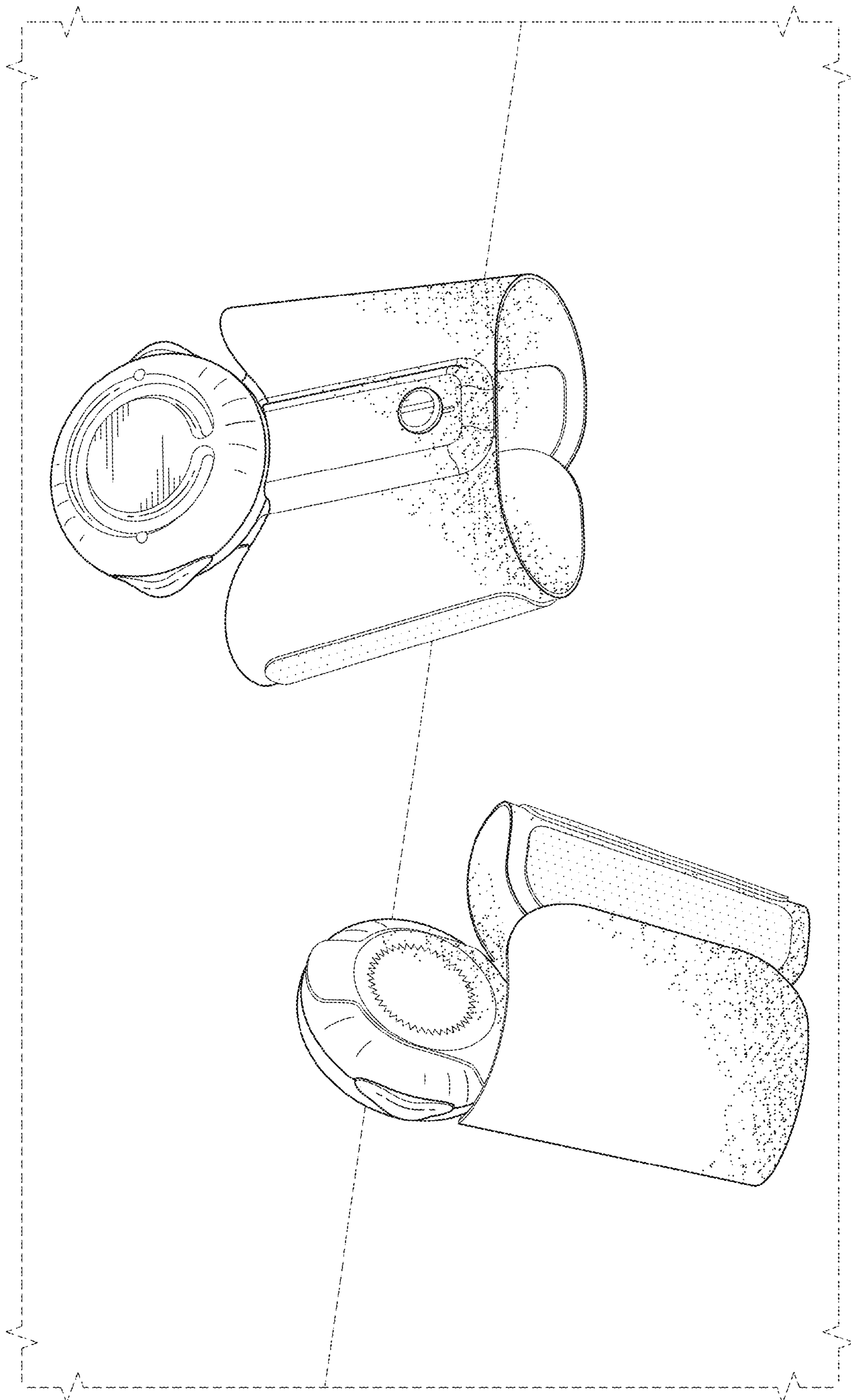


FIG. 1

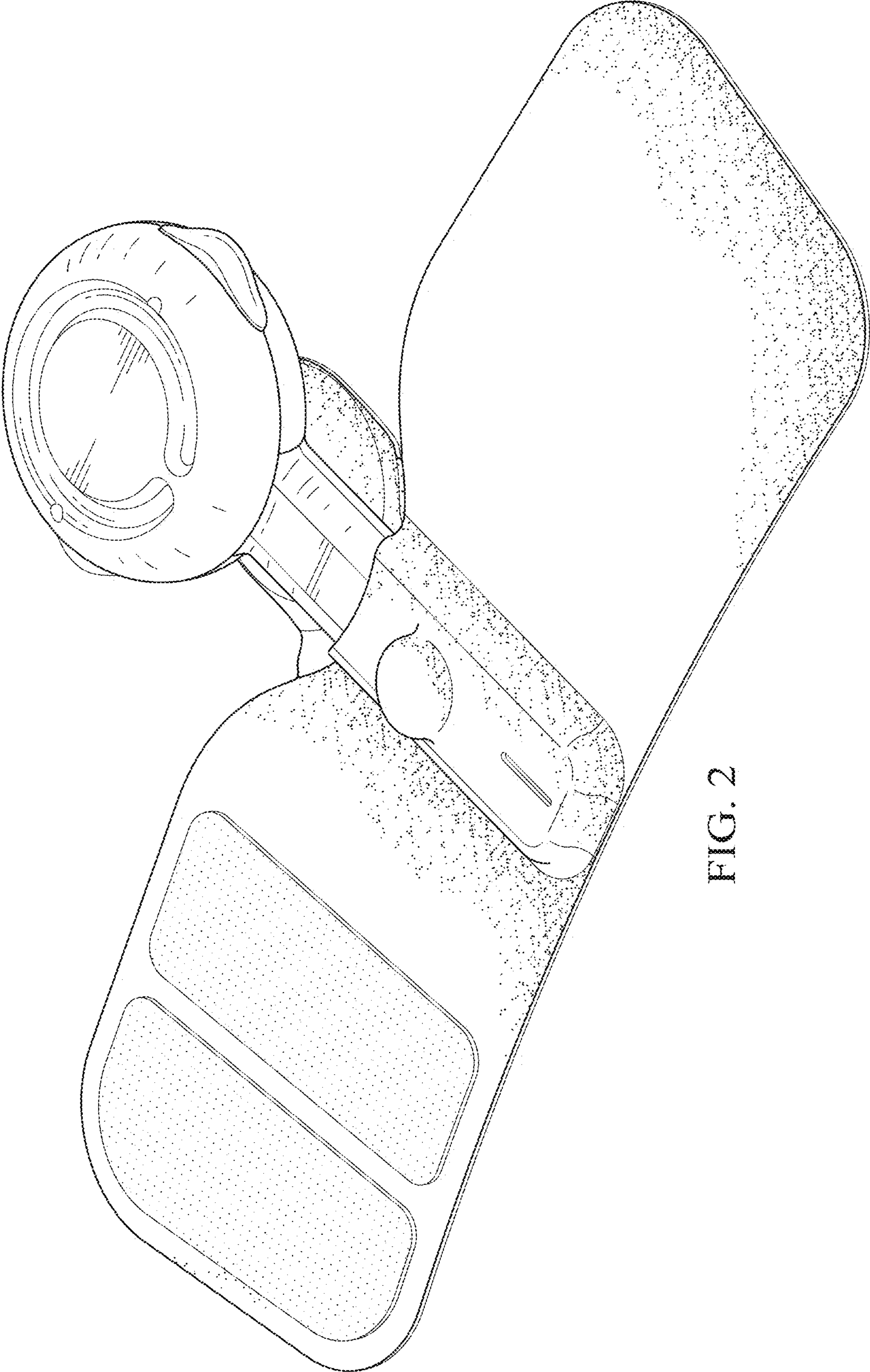


FIG. 2

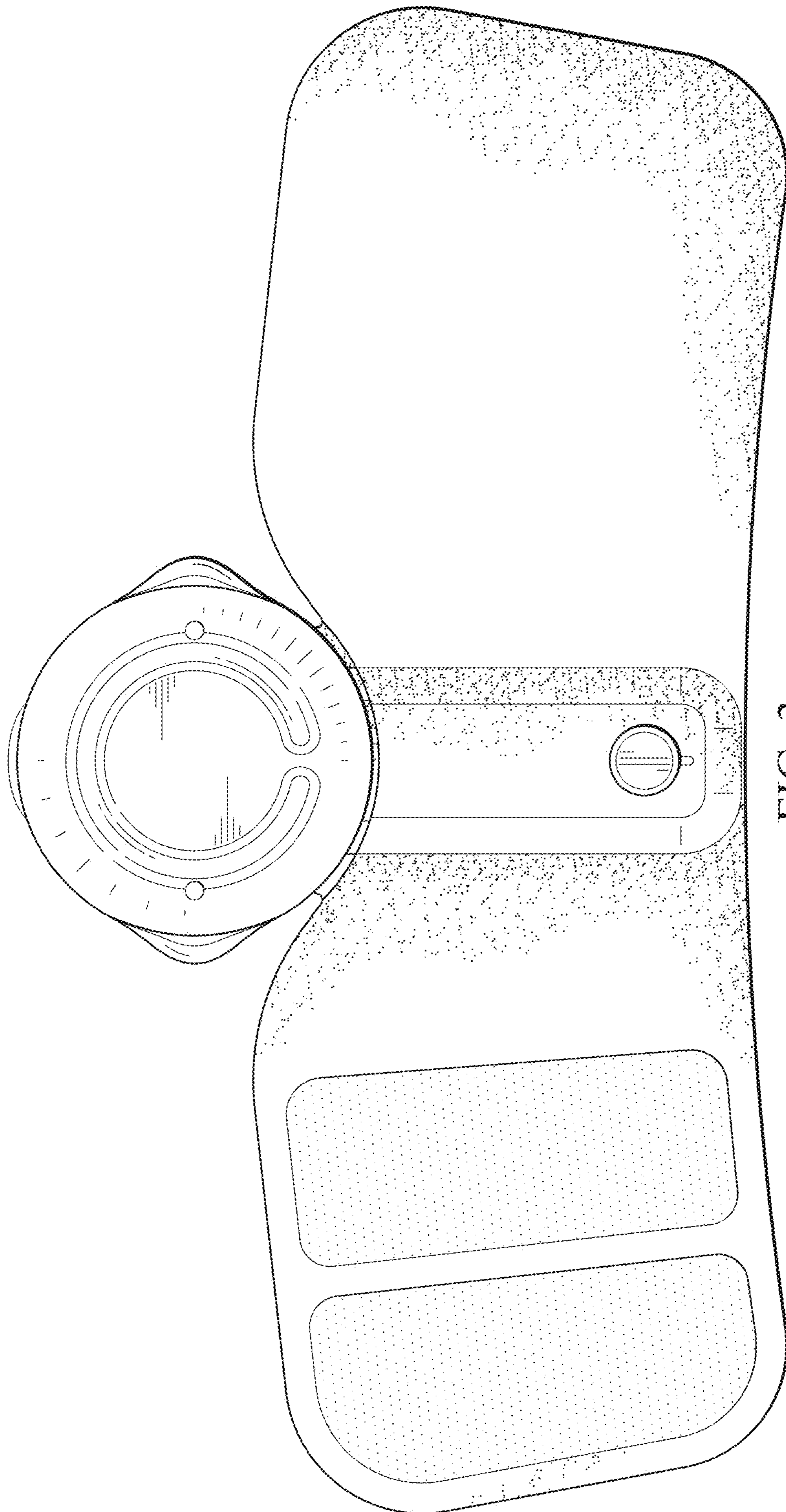


FIG. 3



FIG. 4

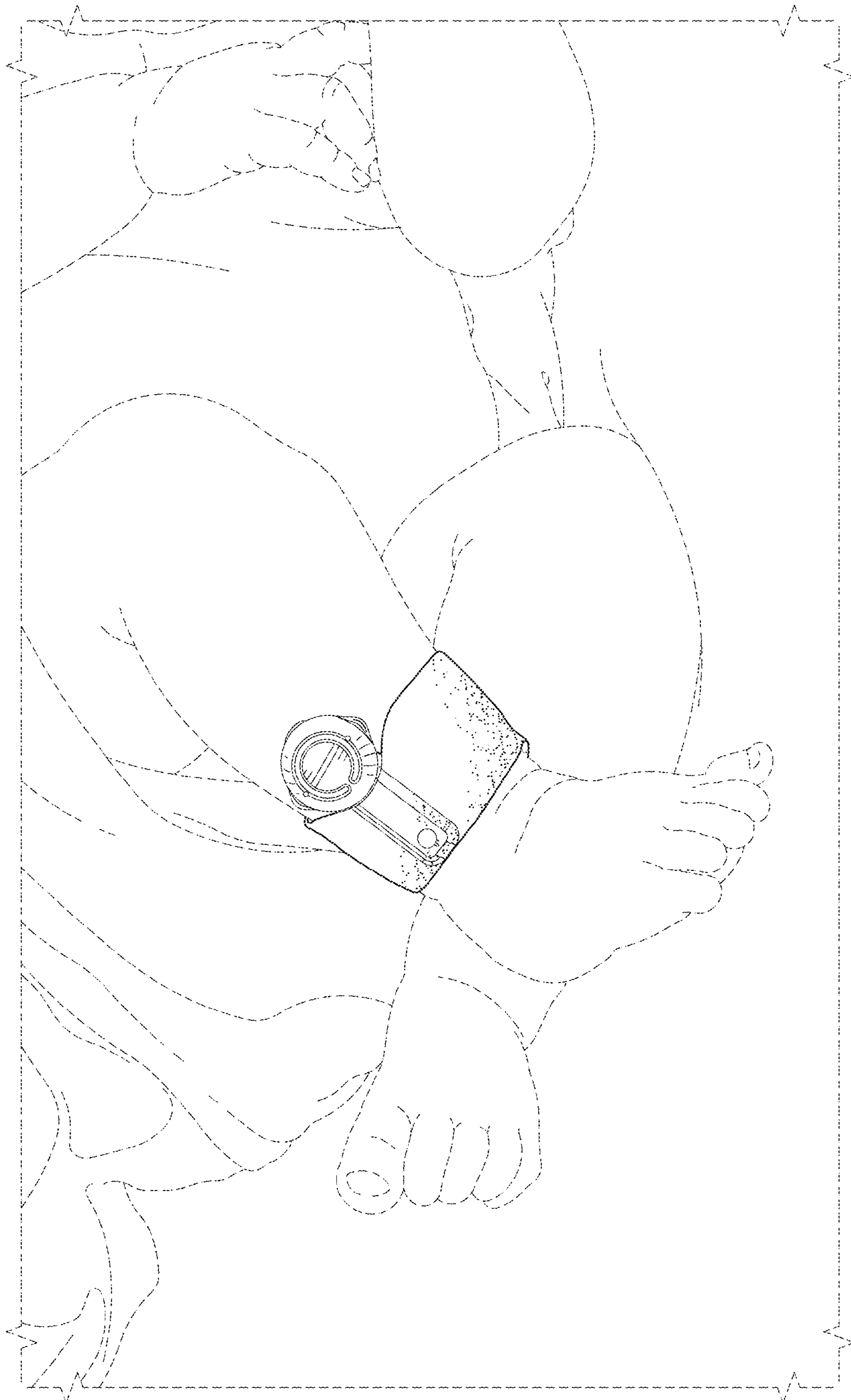


FIG. 5

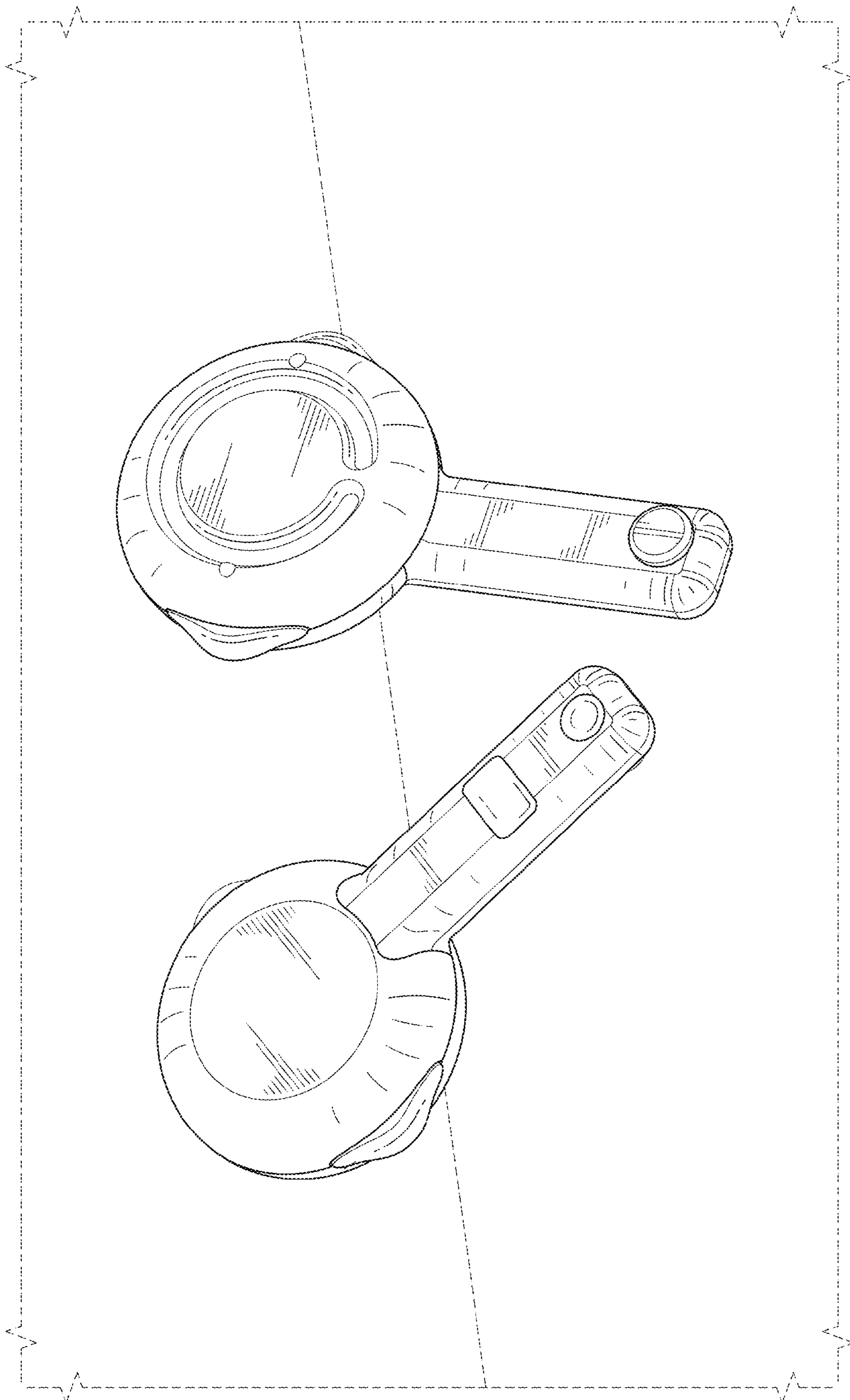


FIG. 6