



US00D974319S

(12) **United States Design Patent**
Konda et al.

(10) **Patent No.:** **US D974,319 S**
(45) **Date of Patent:** **** Jan. 3, 2023**

(54) **BABY MONITOR SYSTEM BASE STATION**

(71) Applicant: **SYNERGEN Technology Labs, LLC**,
Dallas, TX (US)

(72) Inventors: **Sunil Konda**, Dallas, TX (US); **Mel
Gunawardena**, Dallas, TX (US);
Pradeep Pathirana, Dallas, TX (US);
Prabath Gallage, Dallas, TX (US)

(73) Assignee: **SYNERGEN Technology Labs, Inc.**,
Dallas, TX (US)

(**) Term: **15 Years**

(21) Appl. No.: **29/750,450**

(22) Filed: **Sep. 14, 2020**

Related U.S. Application Data

(63) Continuation of application No. 16/885,030, filed on
May 27, 2020, now Pat. No. 10,987,484.

(51) **LOC (14) Cl.** **14-03**

(52) **U.S. Cl.**
USPC **D14/159**

(58) **Field of Classification Search**
USPC D14/167, 154, 168, 188, 496, 156, 160,
D14/161, 162, 163, 164, 165, 158, 341,
D14/346, 342, 345, 137, 155, 218, 225;
D16/208; D26/38; 455/351, 350;
D10/104.1, 106, 65

CPC H04B 1/385; H04M 1/6091; H04M 1/6066
See application file for complete search history.

(56) **References Cited**

U.S. PATENT DOCUMENTS

D506,989 S * 7/2005 Seil D14/155
D572,230 S * 7/2008 Neu D14/155
D594,440 S * 6/2009 Hyncek D14/155

D619,558 S * 7/2010 Seil D14/155
D638,394 S * 5/2011 Richards D14/155
D795,109 S * 8/2017 Olodort D10/104.1
D819,619 S * 6/2018 Li D14/240
D829,121 S * 9/2018 Colasse D10/106.1
D836,147 S * 12/2018 Rao D16/202
D863,404 S * 10/2019 Karpenko D16/218
D871,510 S * 12/2019 Martisauskas D21/423
D883,834 S * 5/2020 Jacob D10/118.2
D906,147 S * 12/2020 Jacob D10/118.2
D906,150 S * 12/2020 Jacob D10/118.2
D906,398 S * 12/2020 Wang D16/208
D912,005 S * 3/2021 Zhang D14/155
D918,752 S * 5/2021 Lyu D10/104.1
D935,429 S * 11/2021 Green D14/155

(Continued)

Primary Examiner — Austin Murphy

(74) *Attorney, Agent, or Firm* — Conley Rose, P.C.;
Jonathan K. Polk

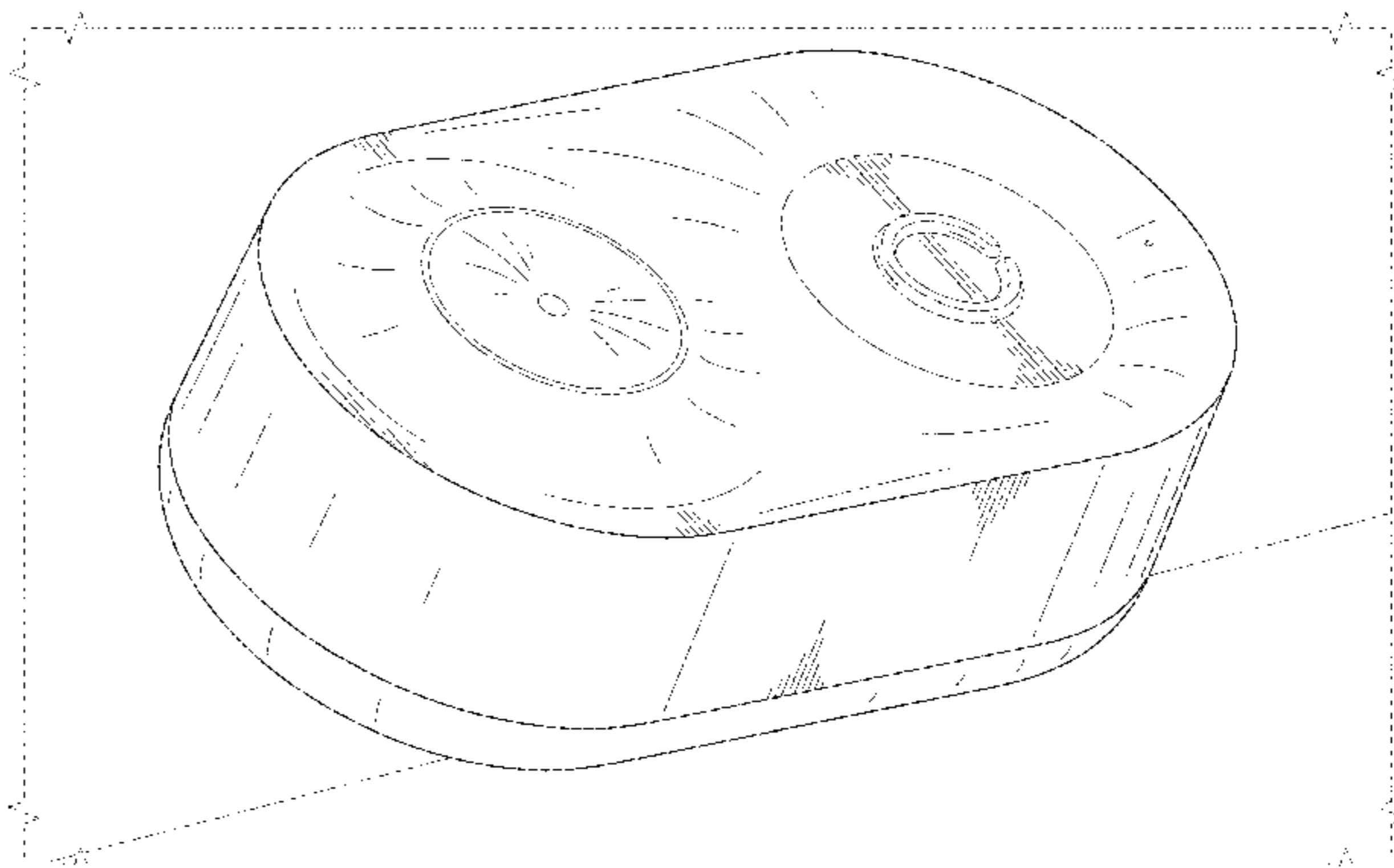
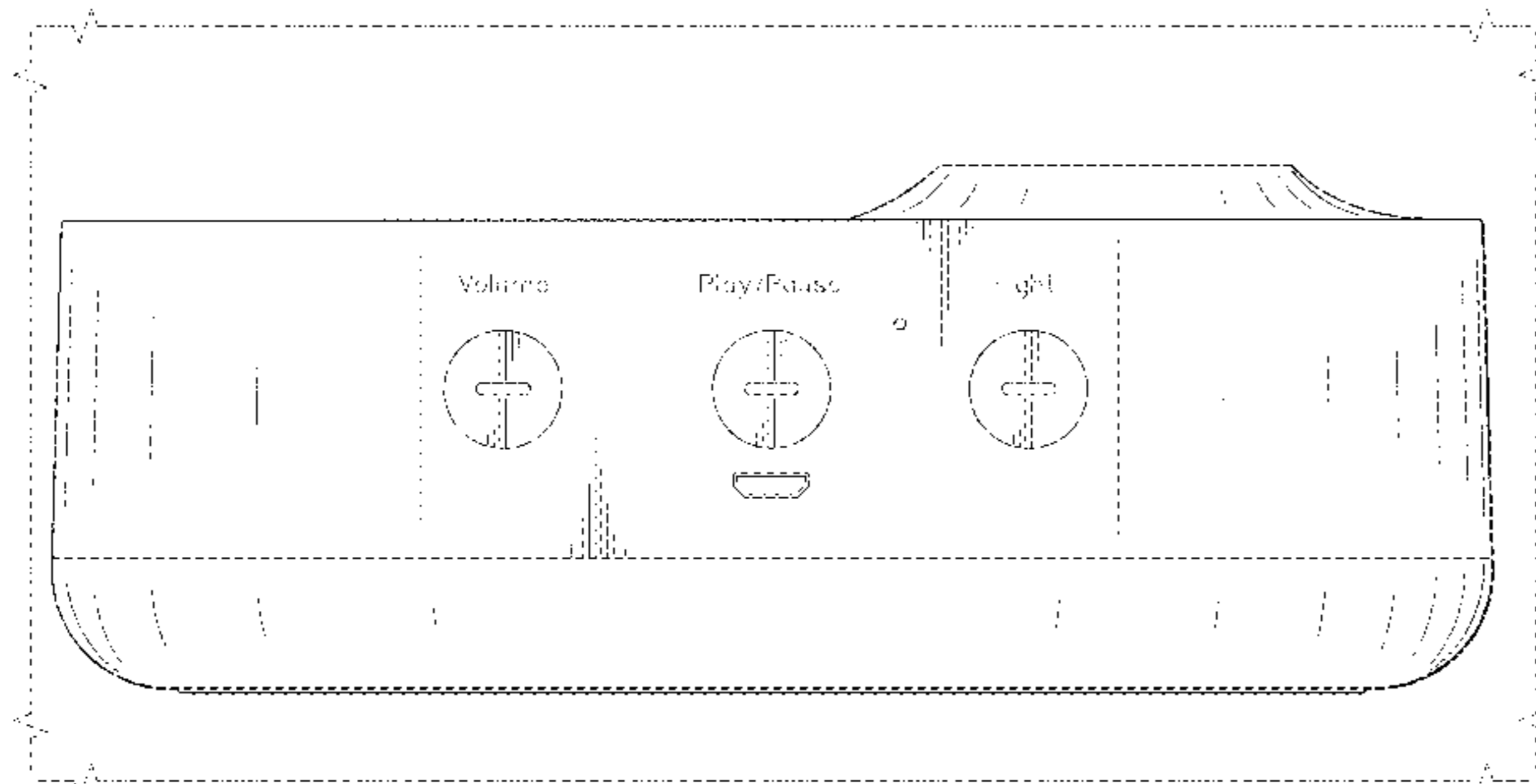
(57) **CLAIM**

We claim the ornamental design for a baby monitor system
base station, as shown and described.

DESCRIPTION

FIG. 1 is a left side view of a baby monitor system base
station according to an embodiment.
FIG. 2 is a right side view thereof.
FIG. 3 is a top plan view thereof.
FIG. 4 is a rear left perspective view thereof.
FIG. 5 is a front right perspective view thereof.
FIG. 6 is a front left perspective view thereof.
FIG. 7 is a front left perspective view thereof.
FIG. 8 is a front left perspective view thereof; and,
FIG. 9 is a bottom plan view of a baby monitor system base
station according to another embodiment.
The broken lines in the drawings are shown for the purpose
of depicting the environment of the design and form no part
of the claim.

1 Claim, 9 Drawing Sheets



(56)

References Cited

U.S. PATENT DOCUMENTS

D938,288 S * 12/2021 Chen D10/65
D944,881 S * 3/2022 Li D16/203
2021/0240436 A1* 8/2021 Liddell H04R 3/00

* cited by examiner

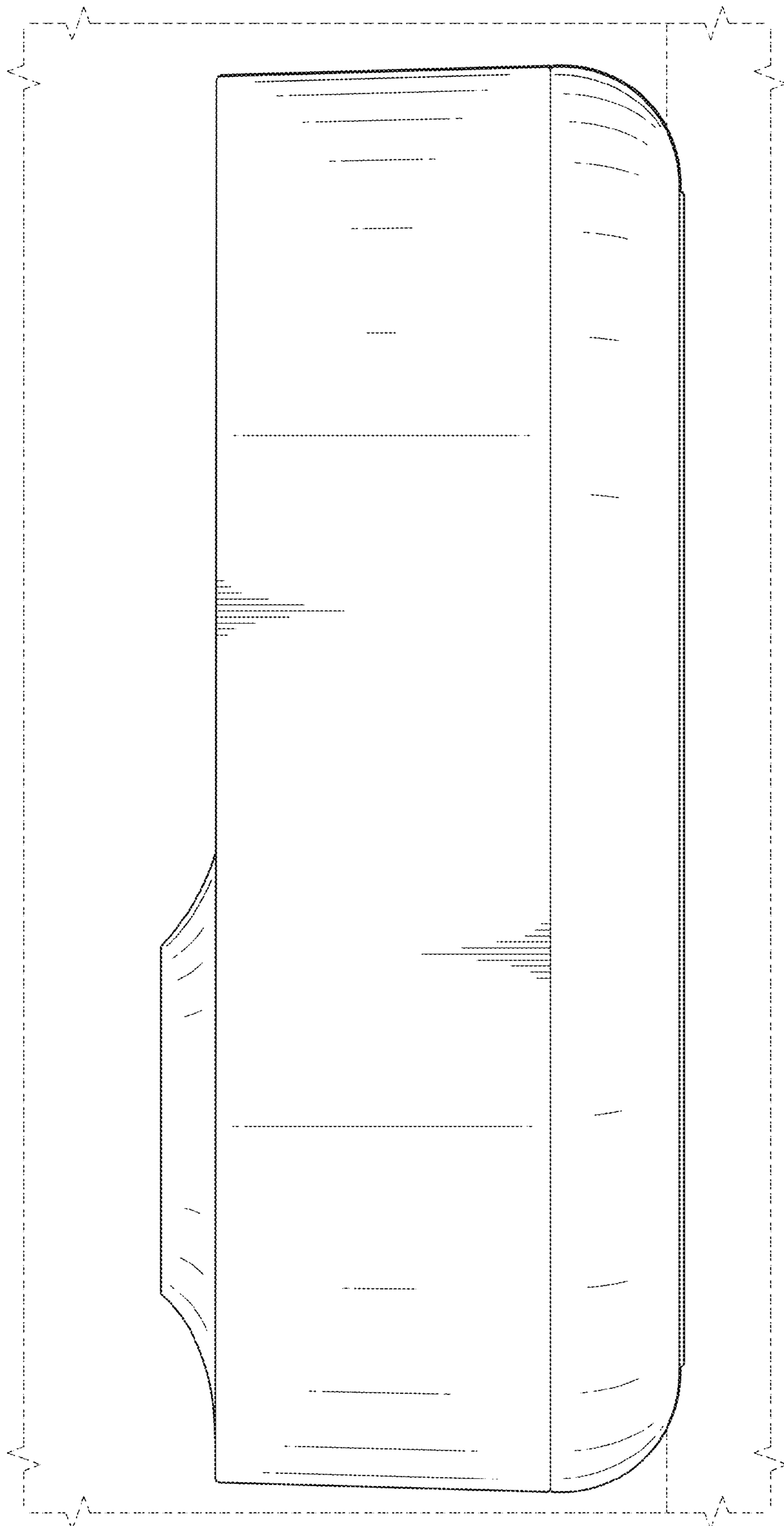


FIG. 1

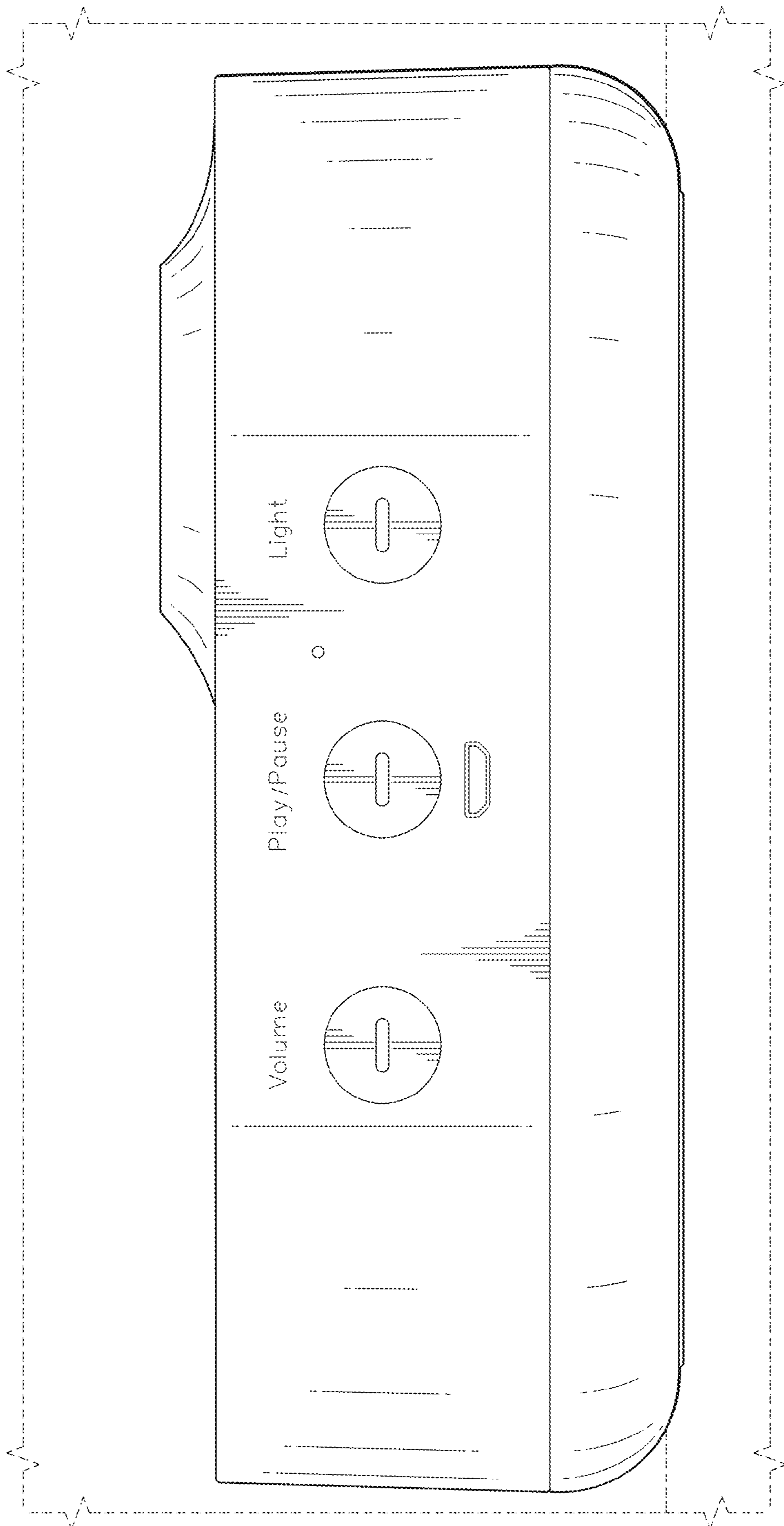


FIG. 2

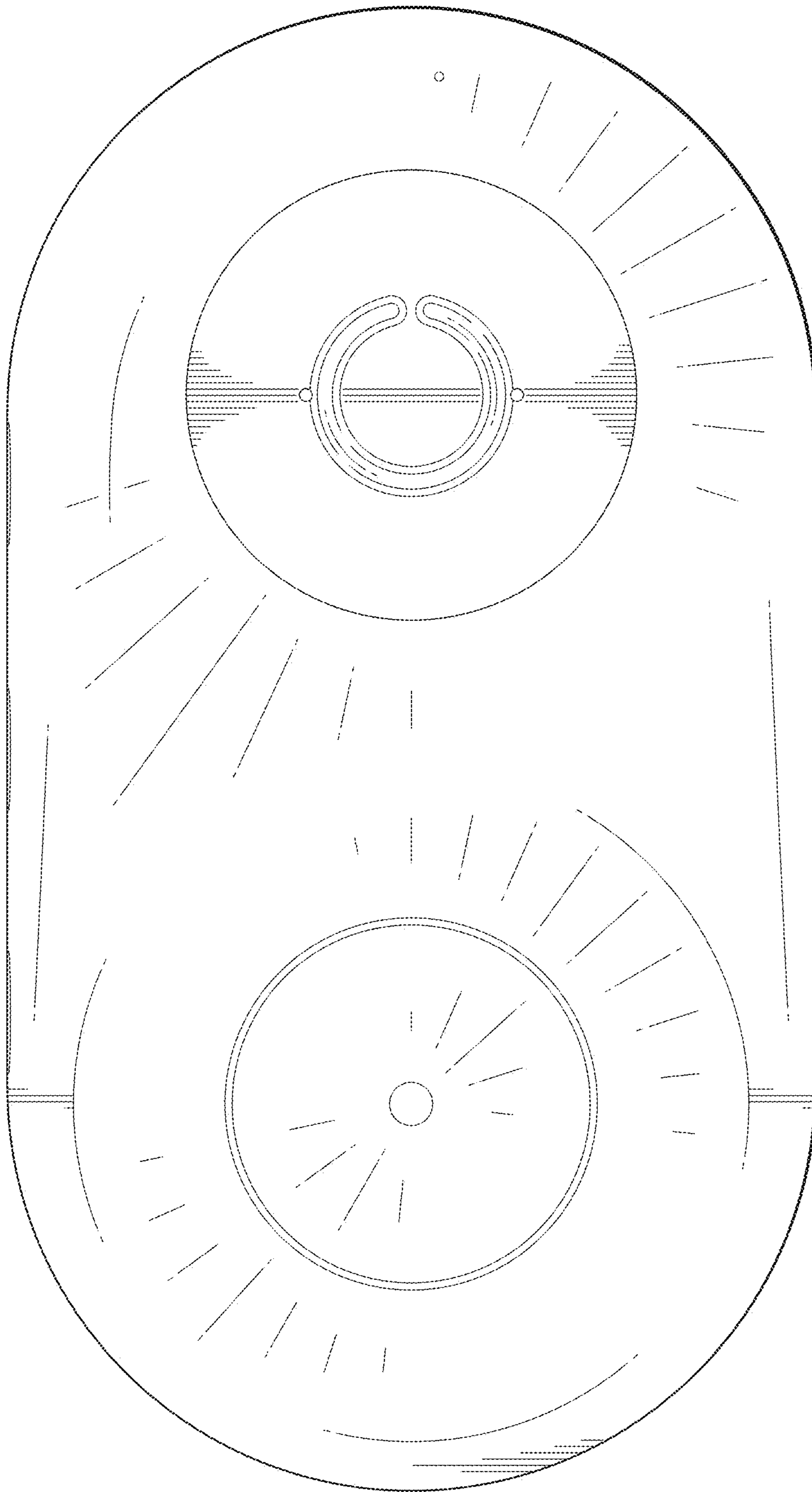


FIG. 3

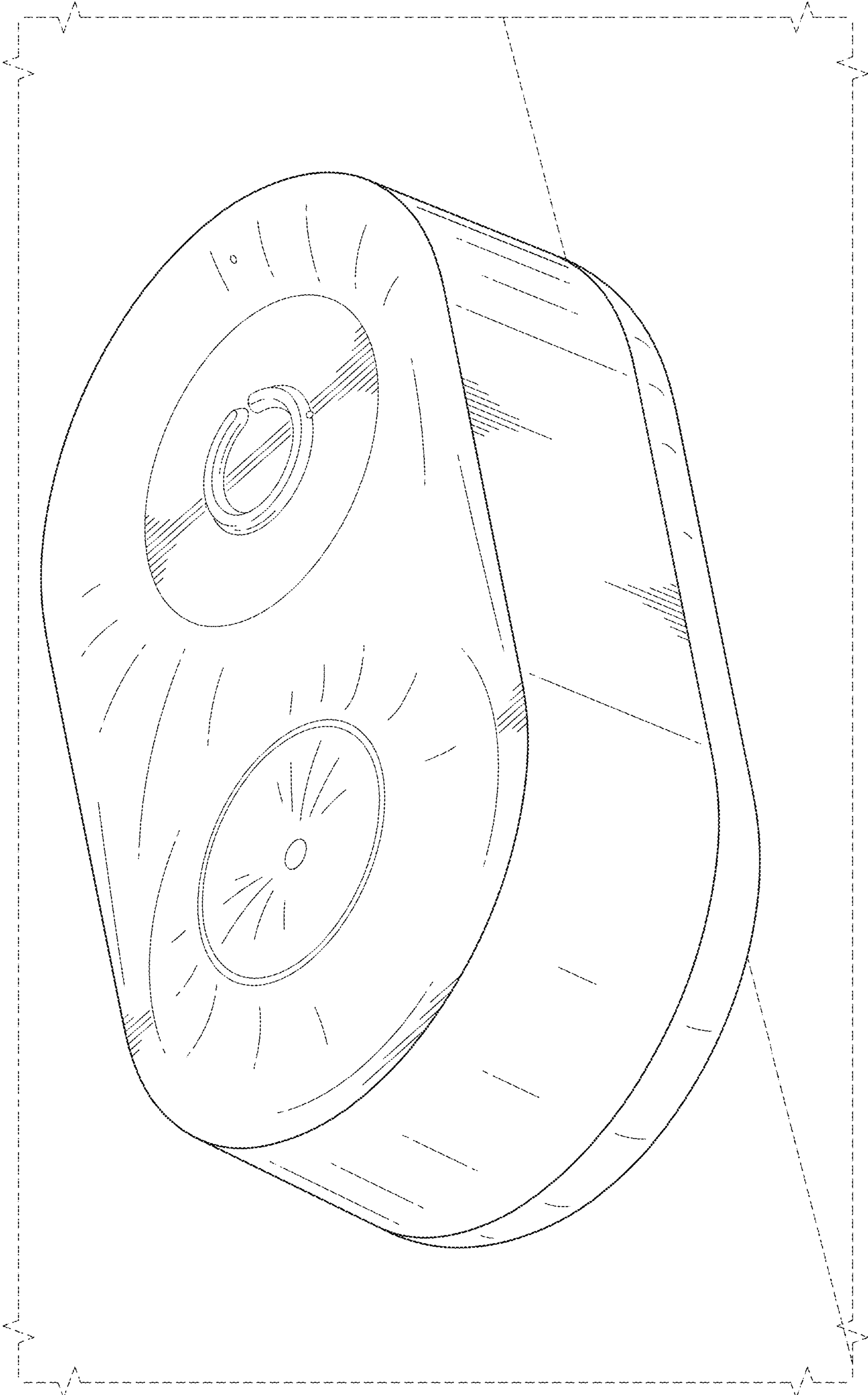


FIG. 4

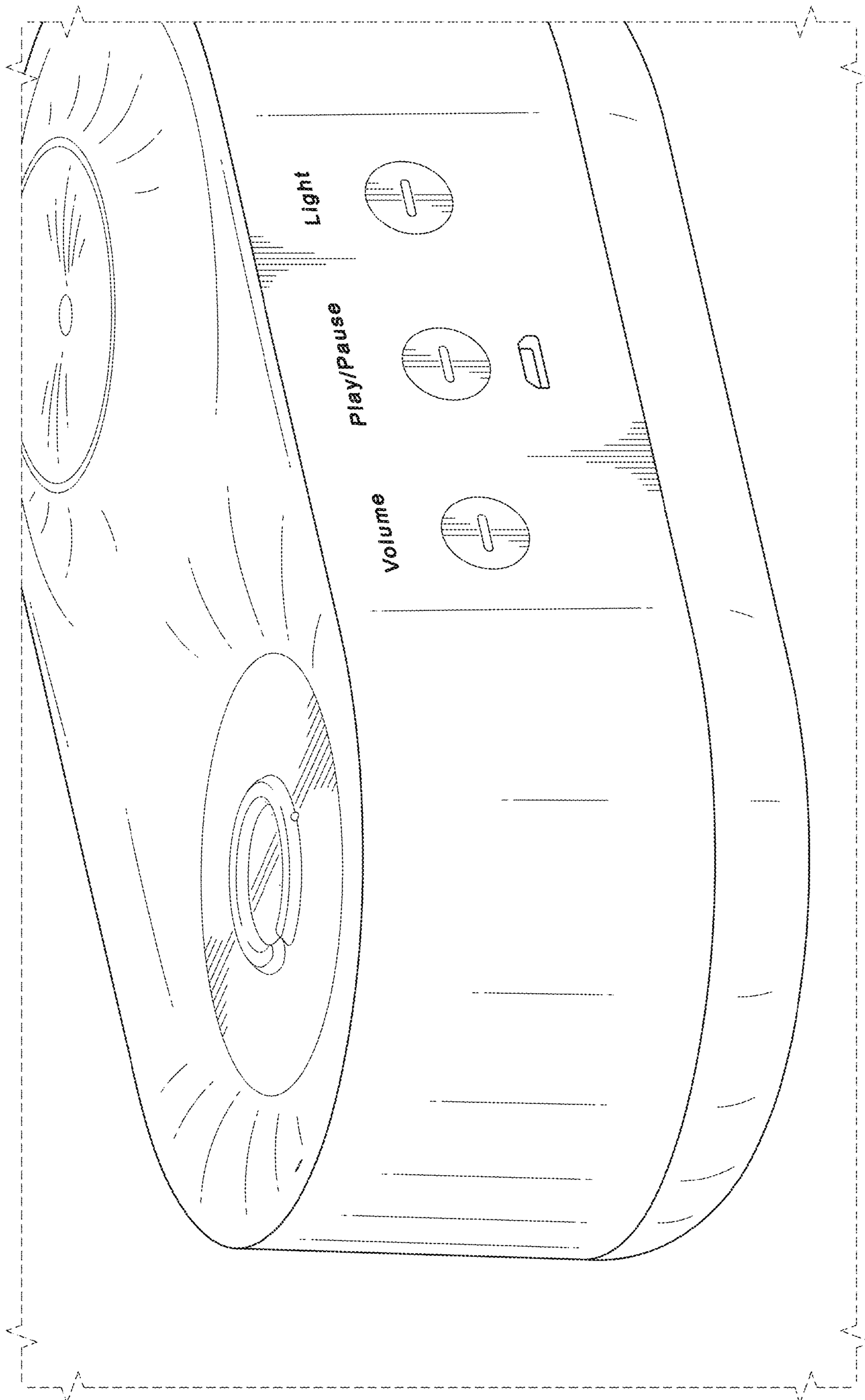


FIG. 5

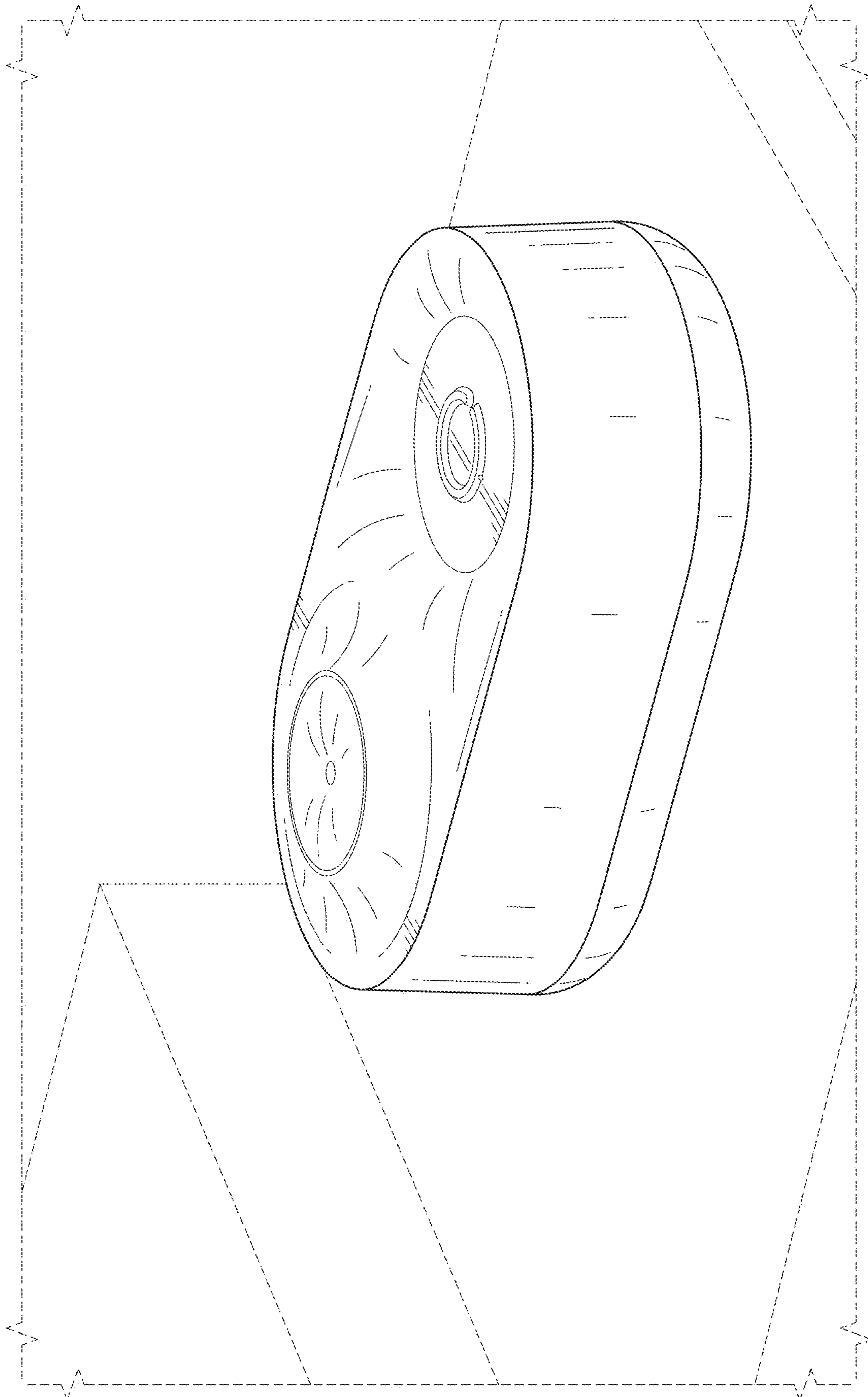


FIG. 6

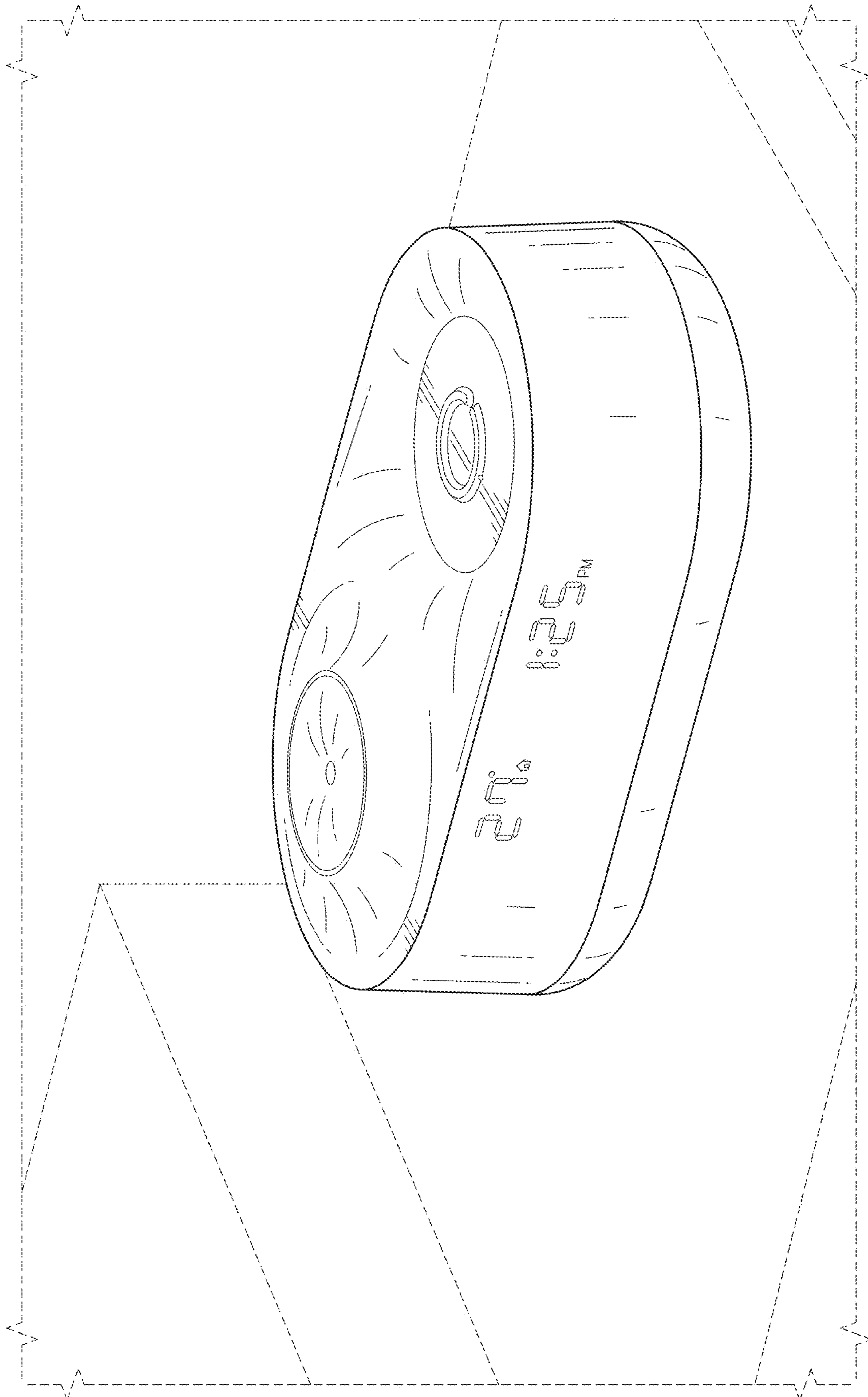


FIG. 7

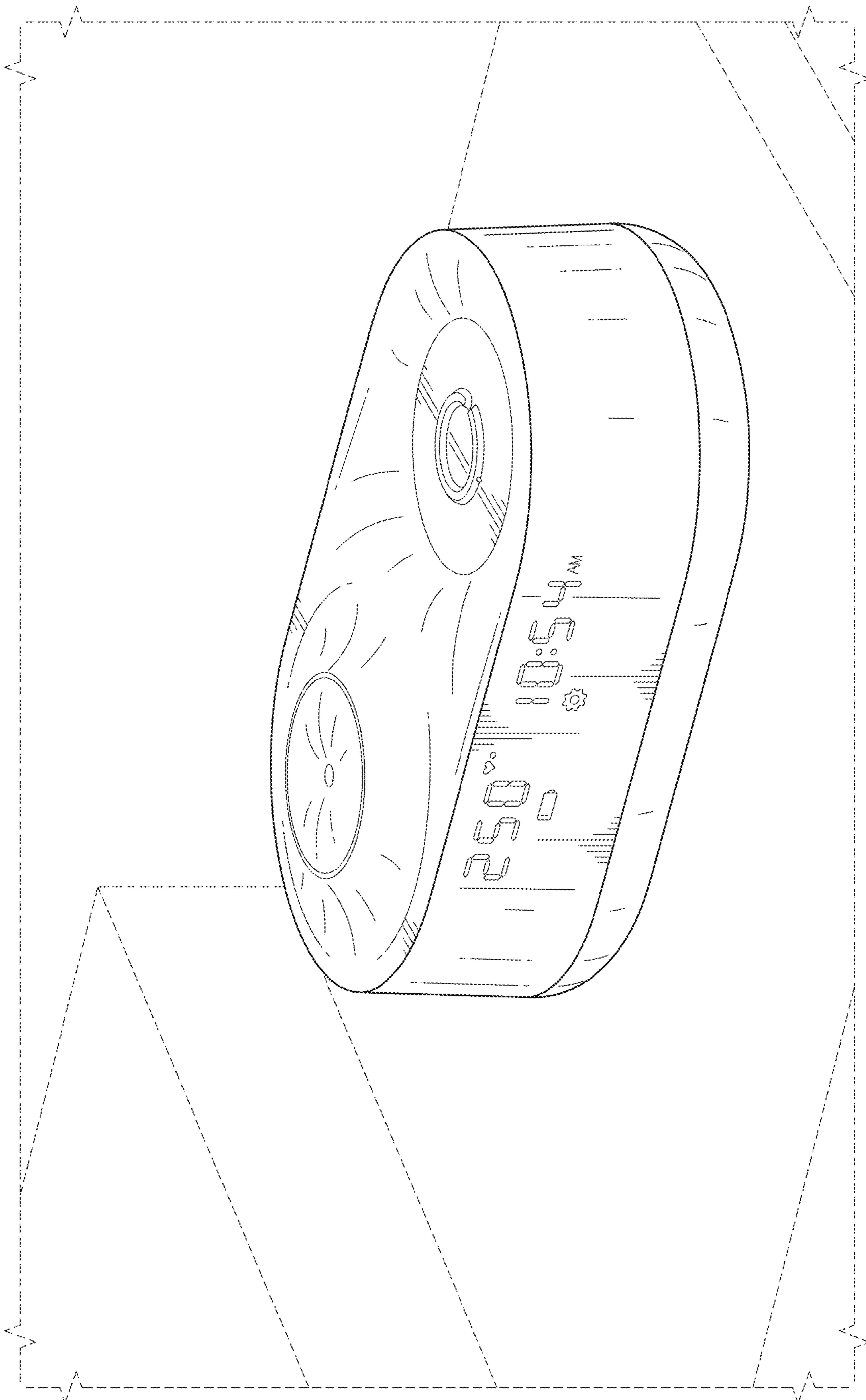


FIG. 8

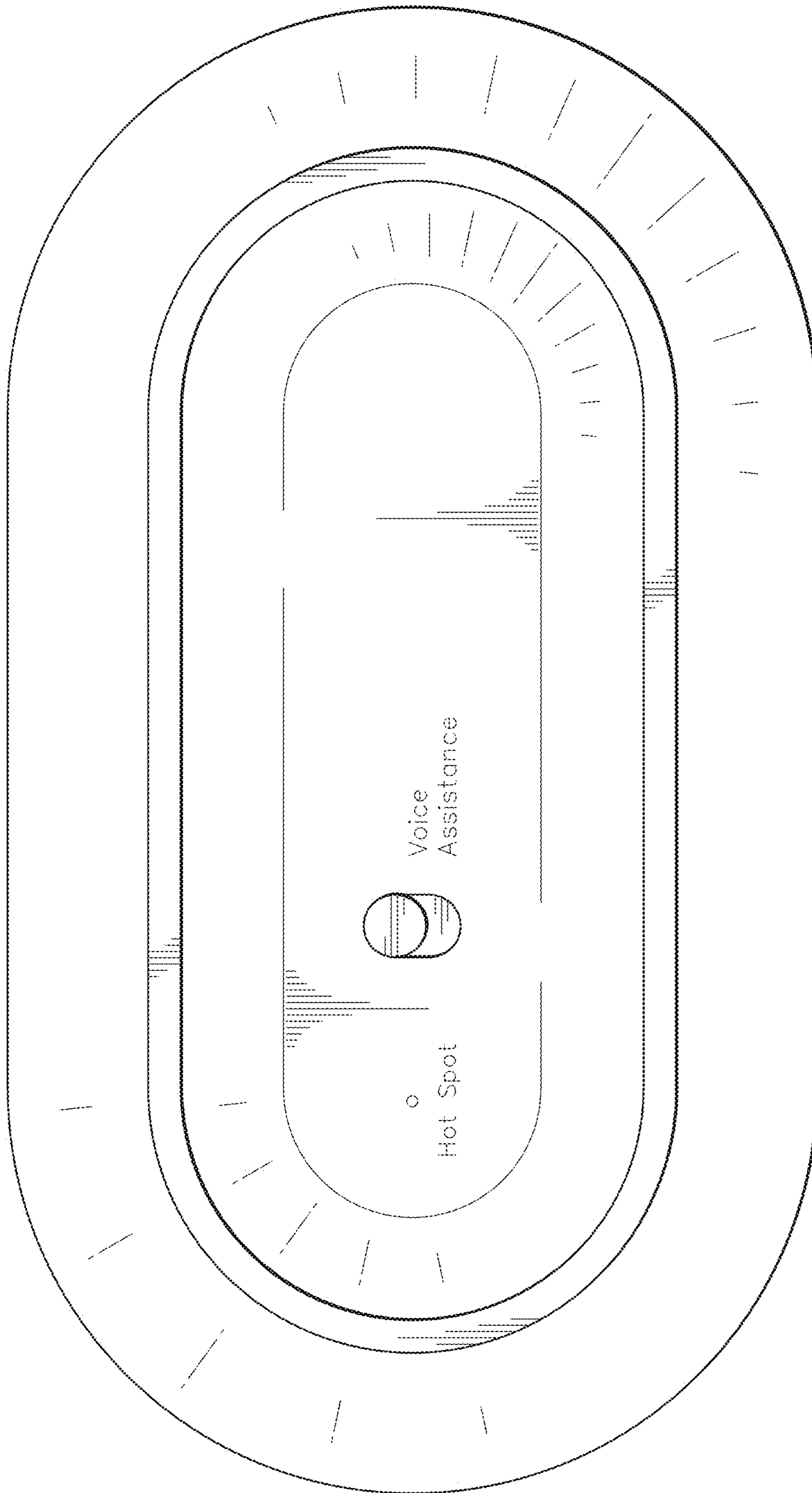


FIG. 9