

US00D974315S

(12) **United States Design Patent**  
**Zhang**

(10) **Patent No.:** **US D974,315 S**  
(45) **Date of Patent:** **\*\* Jan. 3, 2023**

(54) **INTERPHONE**

(71) Applicant: **Weiqin Zhang**, Biyang (CN)

(72) Inventor: **Weiqin Zhang**, Biyang (CN)

(\*\*) Term: **15 Years**

(21) Appl. No.: **29/778,317**

(22) Filed: **Apr. 13, 2021**

(51) **LOC (14) Cl.** ..... **14-03**

(52) **U.S. Cl.**  
USPC ..... **D14/137**

(58) **Field of Classification Search**  
USPC ..... D14/137, 138 R, 138 AA, 138 AD;  
D10/104.1  
CPC .. H04B 1/3833; H04B 1/3827; H04B 1/3855;  
H04B 2001/3861; H04M 1/0202; H04M  
1/03; H04M 1/035  
See application file for complete search history.

(56) **References Cited**

**U.S. PATENT DOCUMENTS**

D433,396 S \* 11/2000 Wong ..... D14/137  
D880,442 S \* 4/2020 Wang ..... D14/137

D881,148 S \* 4/2020 Wang ..... D14/137  
D925,485 S \* 7/2021 Wang ..... D14/137  
D951,891 S \* 5/2022 Wang ..... D14/137

\* cited by examiner

*Primary Examiner* — Bridget L Eland

(74) *Attorney, Agent, or Firm* — Rumi Ranjit Kanakia

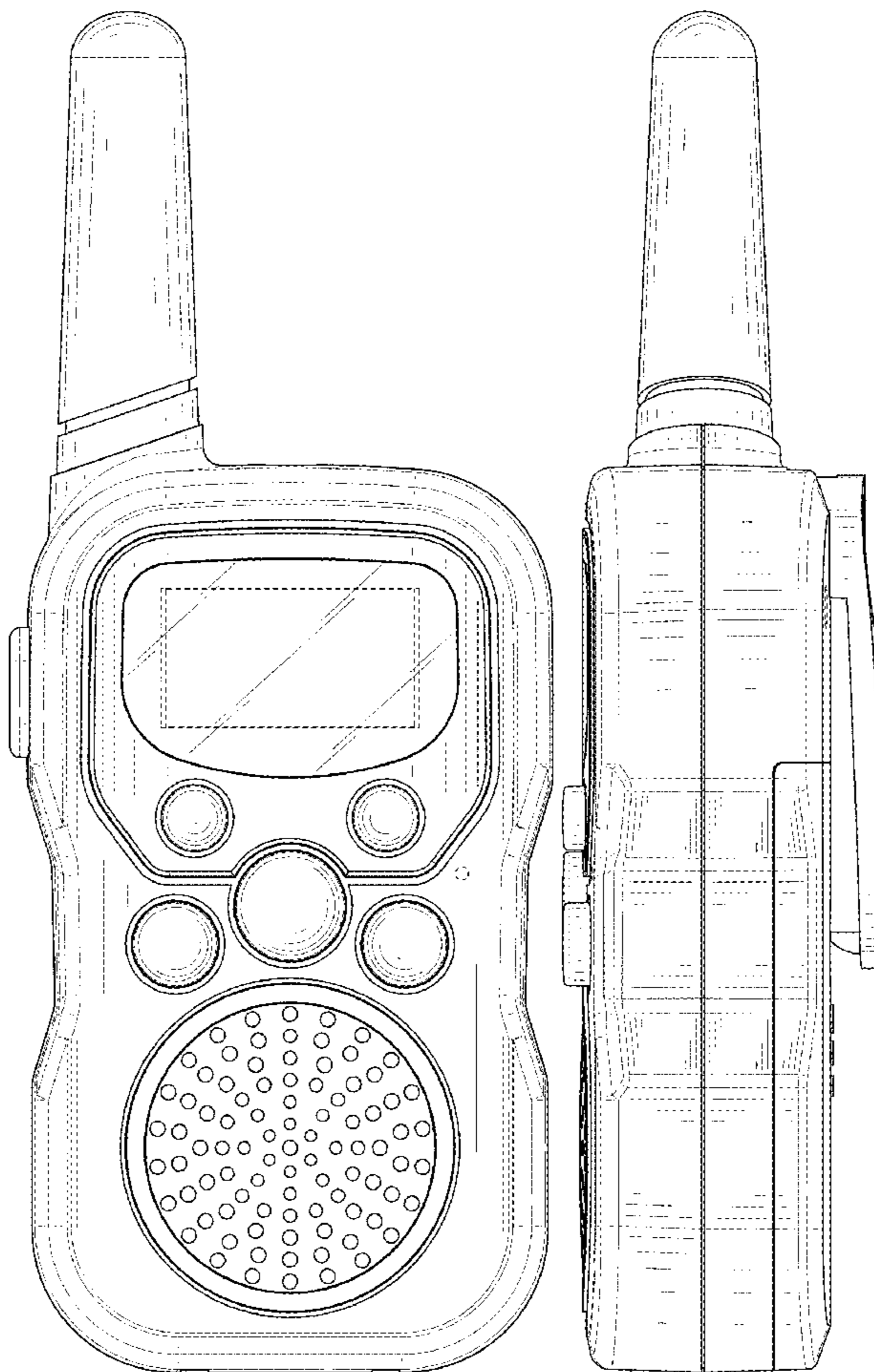
(57) **CLAIM**

The ornamental design for an interphone, as shown and described.

**DESCRIPTION**

FIG. 1 is a first perspective view of an interphone showing my new design;  
FIG. 2 is a second perspective view thereof;  
FIG. 3 is a front view thereof;  
FIG. 4 is a back view thereof;  
FIG. 5 is a left side view thereof;  
FIG. 6 is a right side view thereof;  
FIG. 7 is a top view thereof; and,  
FIG. 8 is a bottom view thereof.  
The broken lines shown in the drawings depict portions of the interphone in which the design is embodied that form no part of the claimed design.

**1 Claim, 8 Drawing Sheets**



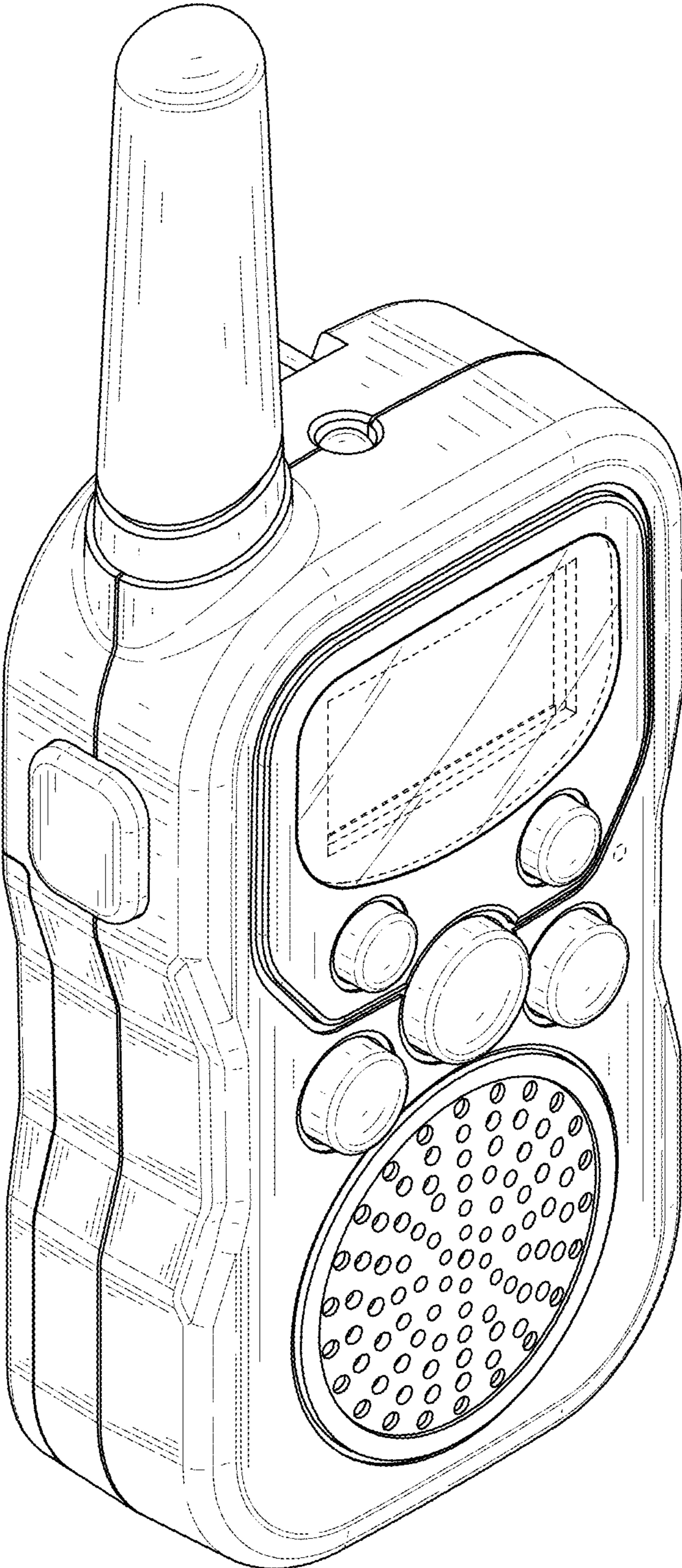


FIG. 1

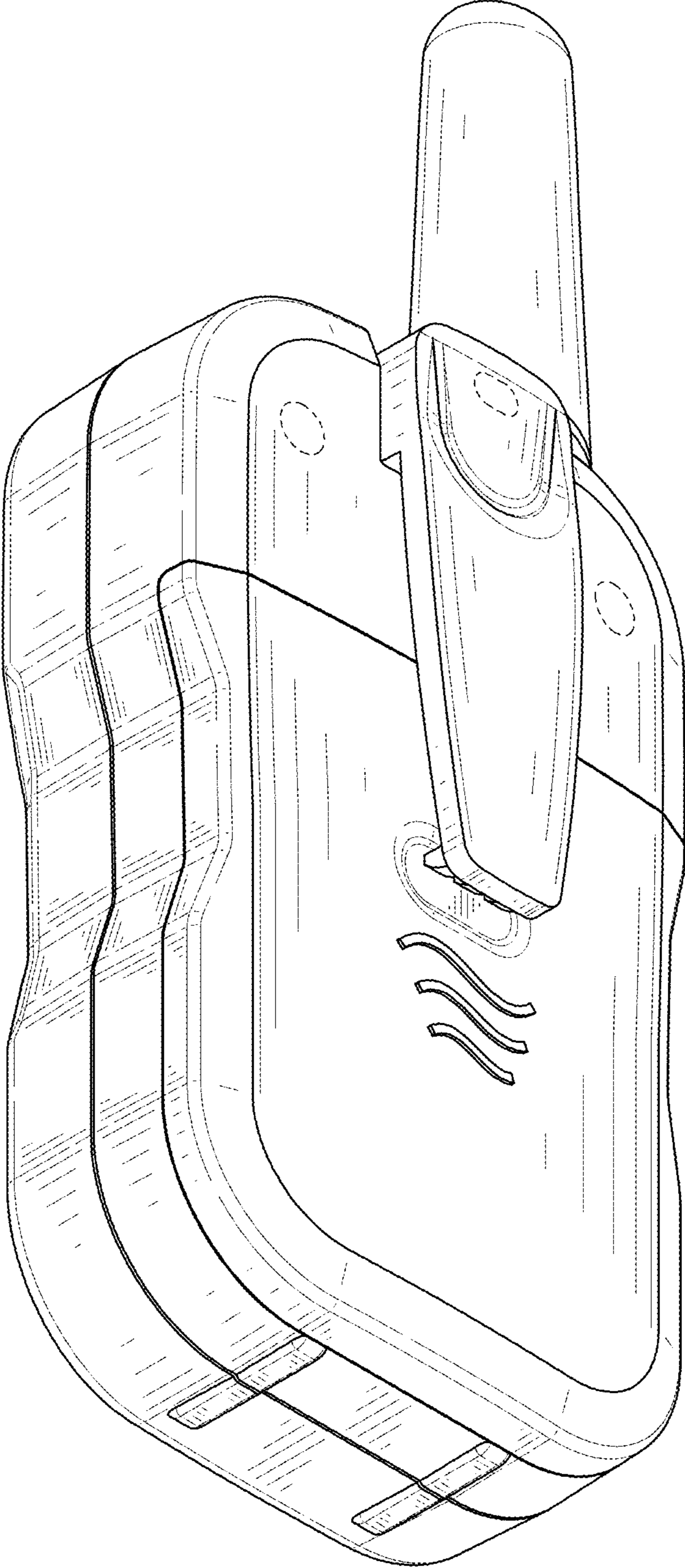


FIG. 2

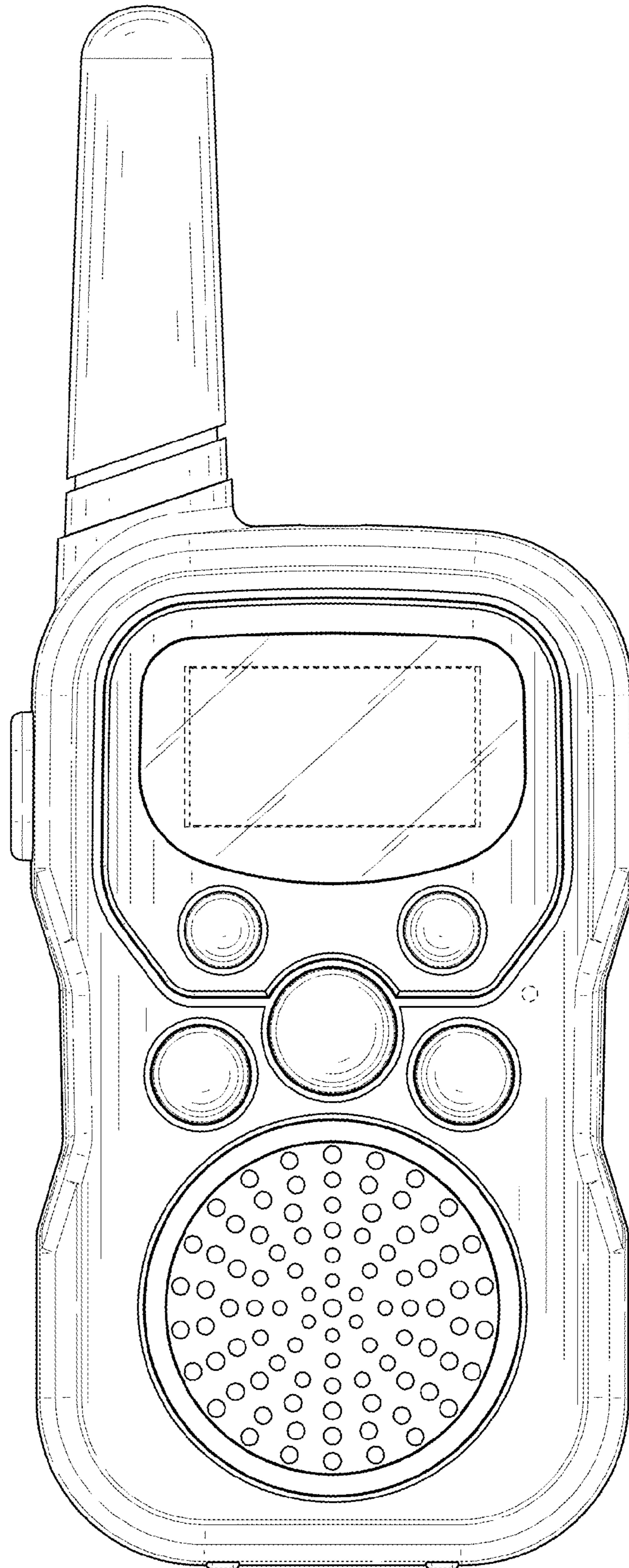


FIG. 3

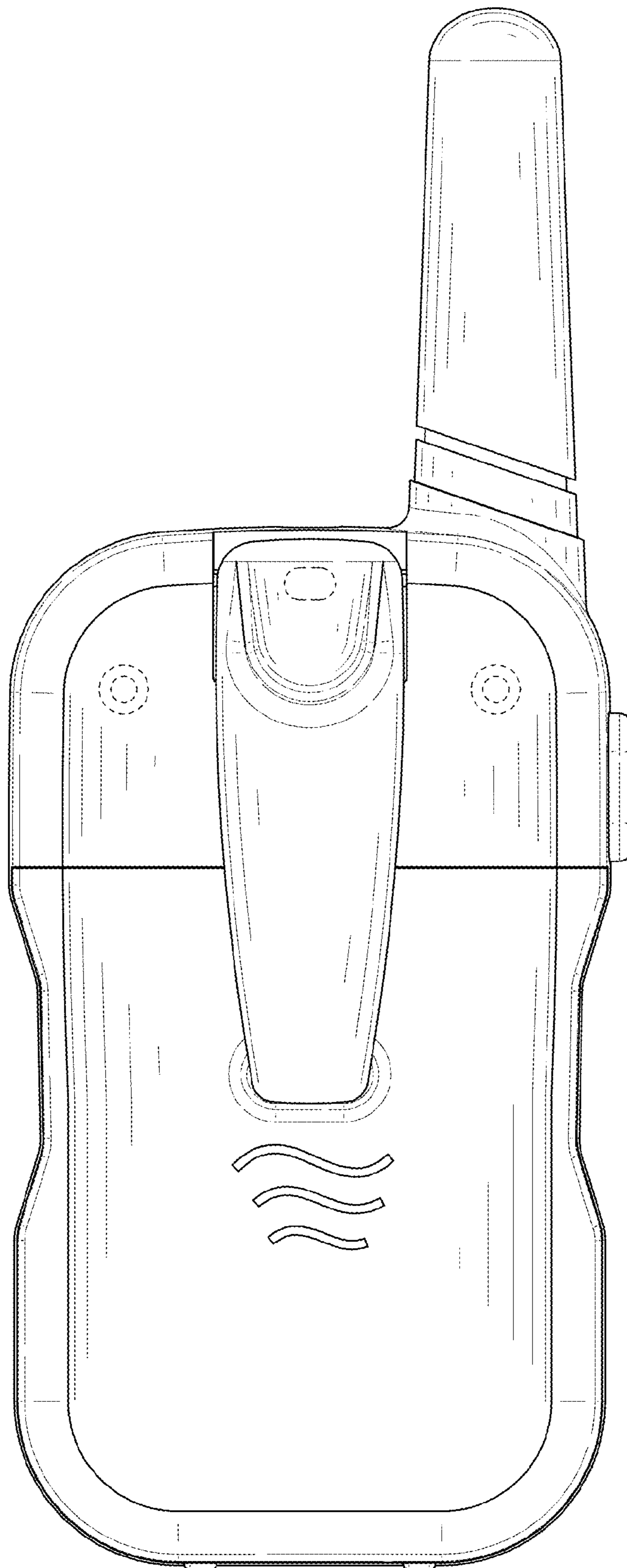


FIG. 4

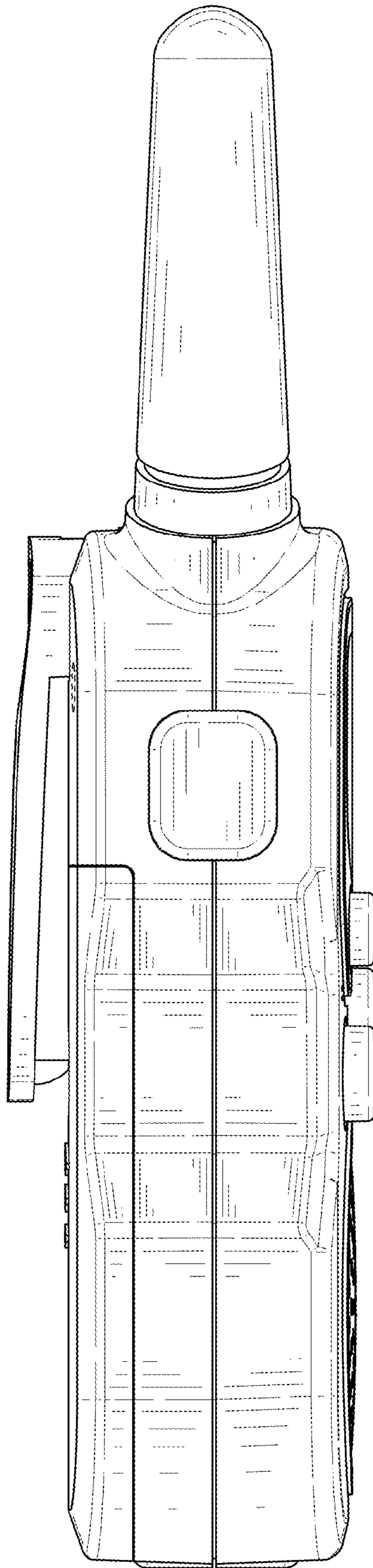


FIG. 5

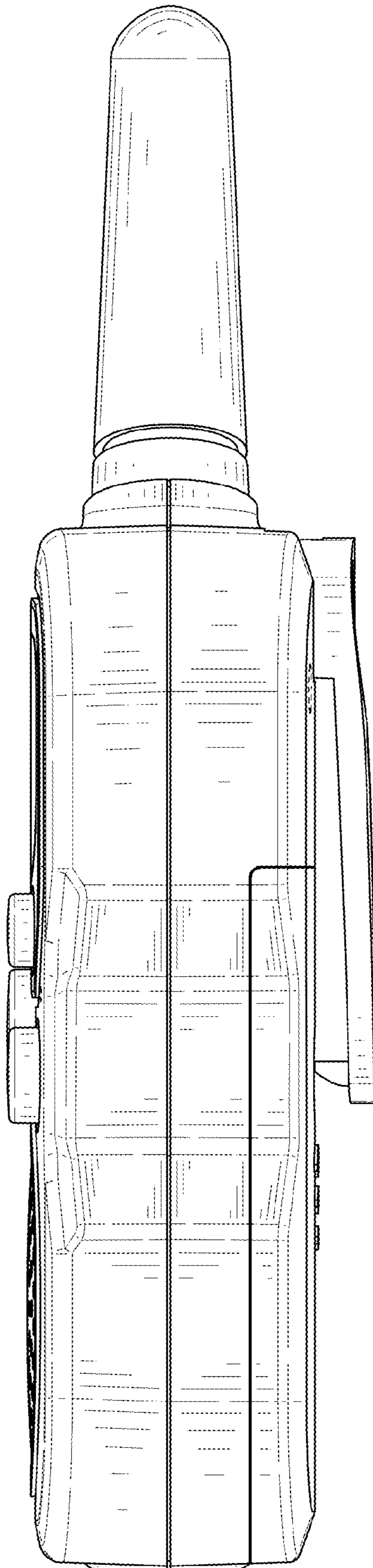


FIG. 6

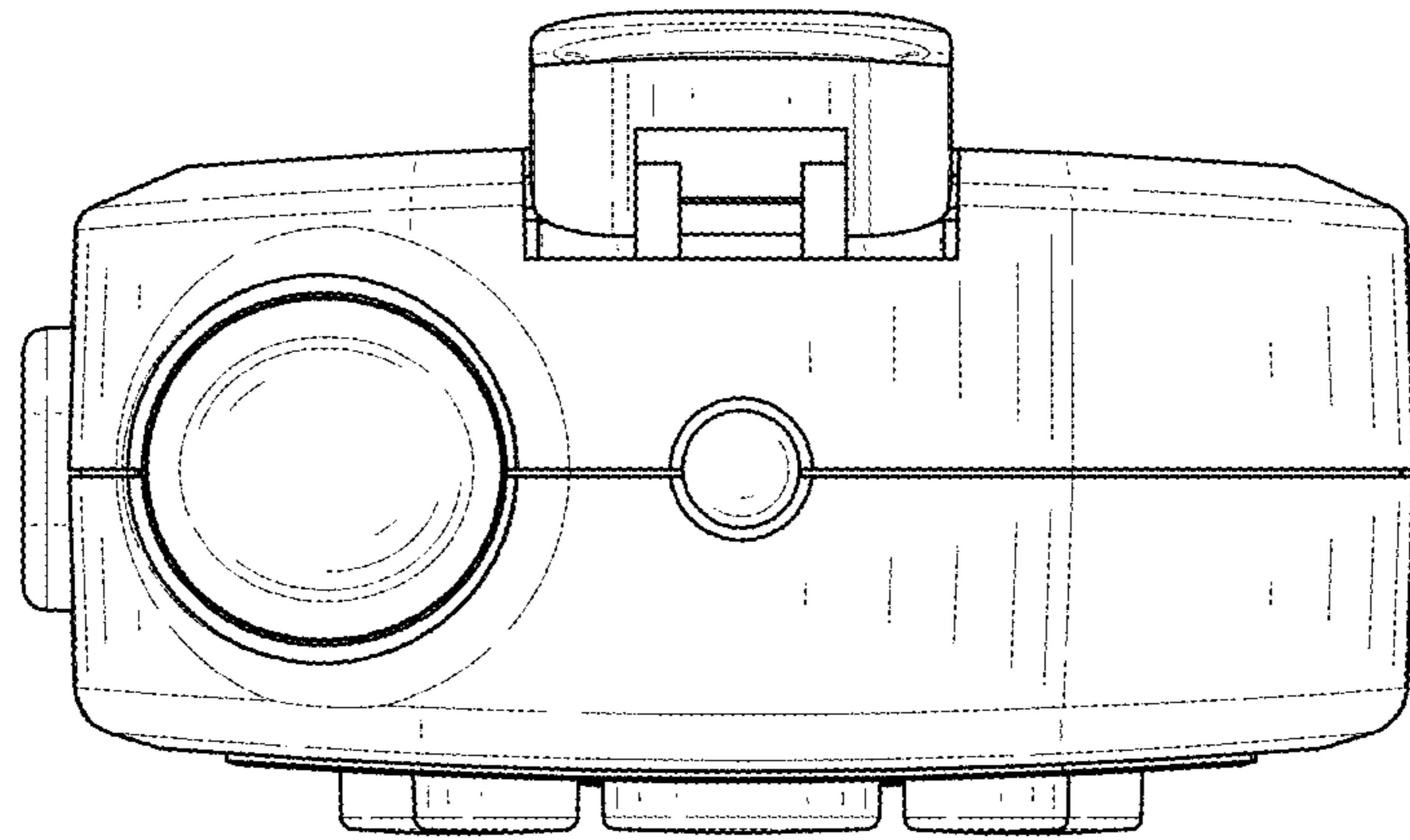


FIG. 7



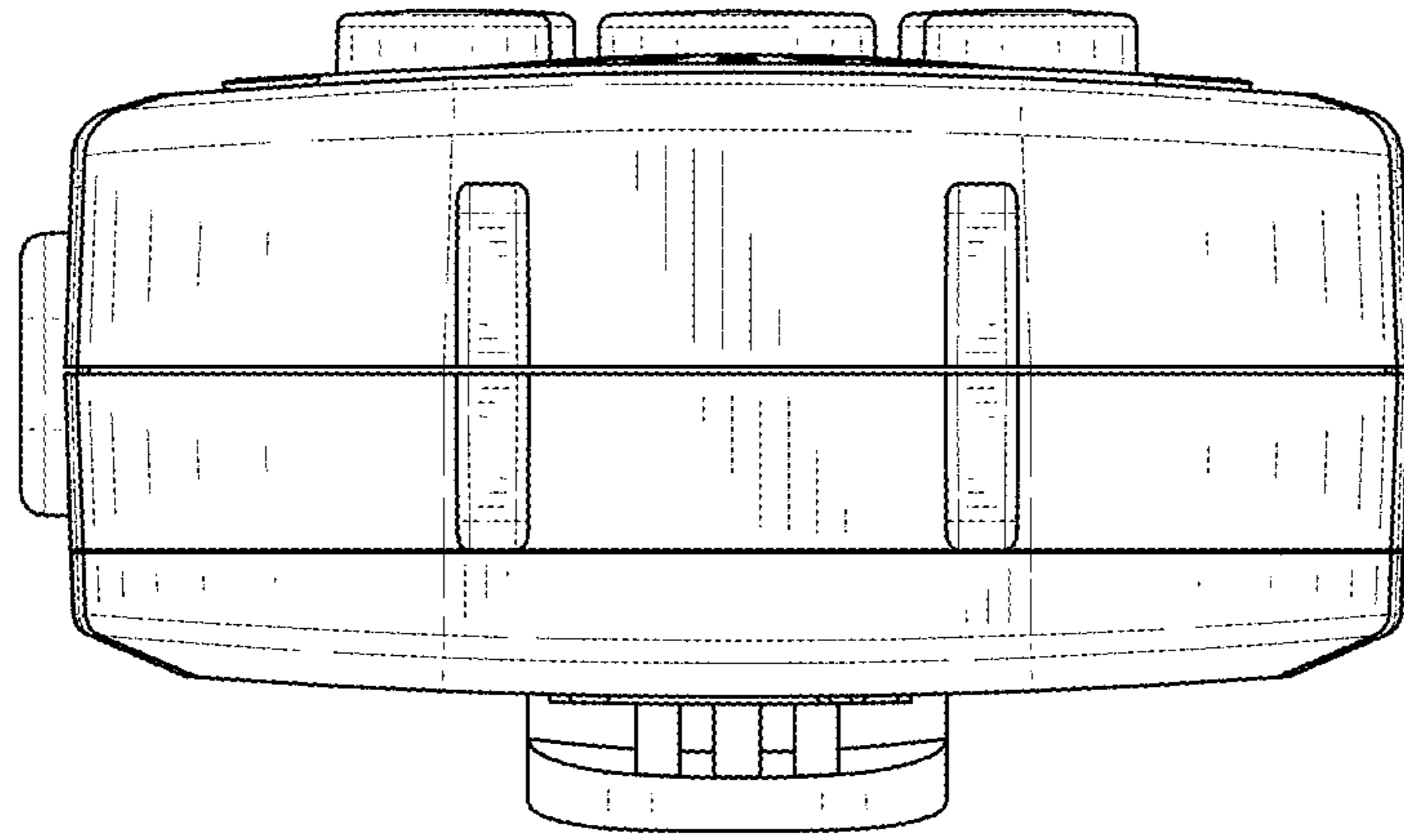


FIG. 8