



US00D974314S

(12) **United States Design Patent**
Gilley et al.

(10) **Patent No.:** **US D974,314 S**
(45) **Date of Patent:** **** Jan. 3, 2023**

(54) **RADIO**

(71) Applicant: **BK Technologies, Inc.**, West
Melbourne, FL (US)

(72) Inventors: **James E. Gilley**, Baldwin City, KS
(US); **Edmund A. Laryea**, Sunrise, FL
(US)

(73) Assignee: **BK Technologies, Inc.**, West
Melbourne, FL (US)

(**) Term: **15 Years**

(21) Appl. No.: **29/777,875**

(22) Filed: **Apr. 8, 2021**

(51) **LOC (14) Cl.** **14-03**

(52) **U.S. Cl.**
USPC **D14/137**

(58) **Field of Classification Search**
USPC D14/137, 138 R, 138 AA, 138 AD;
D10/104.1

CPC .. H04B 1/3833; H04B 1/3827; H04B 1/3855;
H04B 2001/3861; H04M 1/0202; H04M
1/03; H04M 1/035

See application file for complete search history.

(56) **References Cited**

U.S. PATENT DOCUMENTS

D290,842 S *	7/1987	Scheid	D14/137
D302,423 S *	7/1989	Martensson	D14/138 AA
D347,426 S *	5/1994	Culbertson	D14/137
D477,816 S *	7/2003	Yahaya	D14/137
D497,600 S *	10/2004	Richards	D14/137
D540,765 S *	4/2007	Pritchard	D14/137

D564,999 S *	3/2008	Richards	D14/137
D576,980 S *	9/2008	Onoue	D14/137
D577,699 S *	9/2008	Onoue	D14/137
D605,616 S *	12/2009	Scott	D14/137
D635,945 S *	4/2011	Richards	D14/137
D654,035 S *	2/2012	Ismail	D14/137
D662,482 S *	6/2012	Kaner	D14/137
D754,089 S *	4/2016	Yong	D14/137
D785,584 S *	5/2017	Nilsen	D14/137
D805,494 S *	12/2017	Richards	D14/137
D818,451 S *	5/2018	Takahashi	D14/137
D881,146 S *	4/2020	Nilsen	D14/137
D894,143 S *	8/2020	Nishizawa	D14/137
D923,597 S *	6/2021	Nishikawa	D14/137
D950,509 S *	5/2022	Ranly	D14/137
D952,590 S *	5/2022	Duman	D14/137

* cited by examiner

Primary Examiner — Bridget L Eland

(74) *Attorney, Agent, or Firm* — Kirton McConkie; Brian
Tucker

(57) **CLAIM**

The ornamental design for a radio, as shown.

DESCRIPTION

FIG. 1 is a top front perspective view of a radio showing the
claimed design;

FIG. 2 is a top rear perspective view thereof;

FIG. 3 is a front view thereof;

FIG. 4 is a rear view thereof;

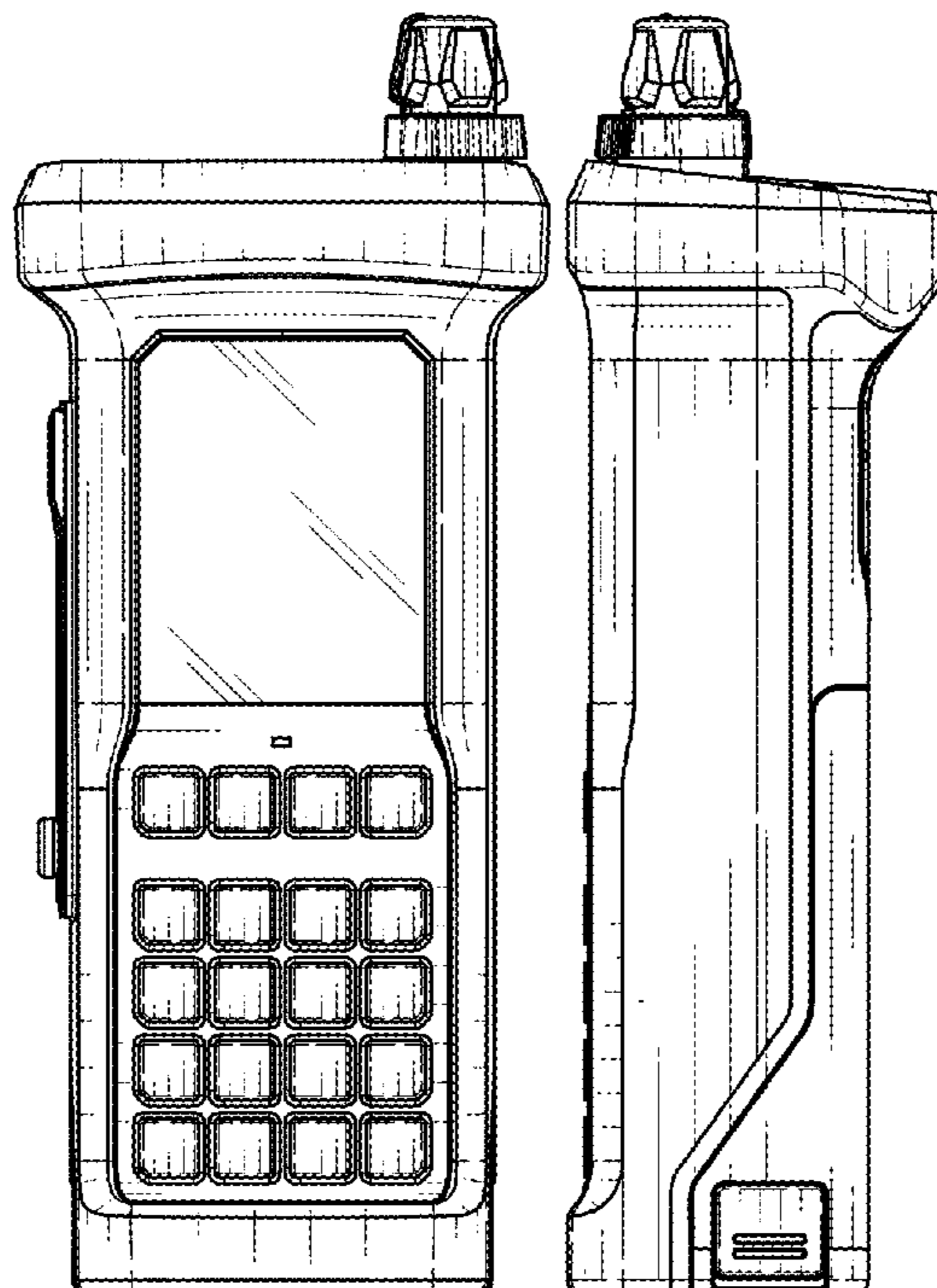
FIG. 5 is a left view thereof;

FIG. 6 is a right view thereof;

FIG. 7 is a top view thereof; and,

FIG. 8 is a bottom view thereof.

1 Claim, 3 Drawing Sheets



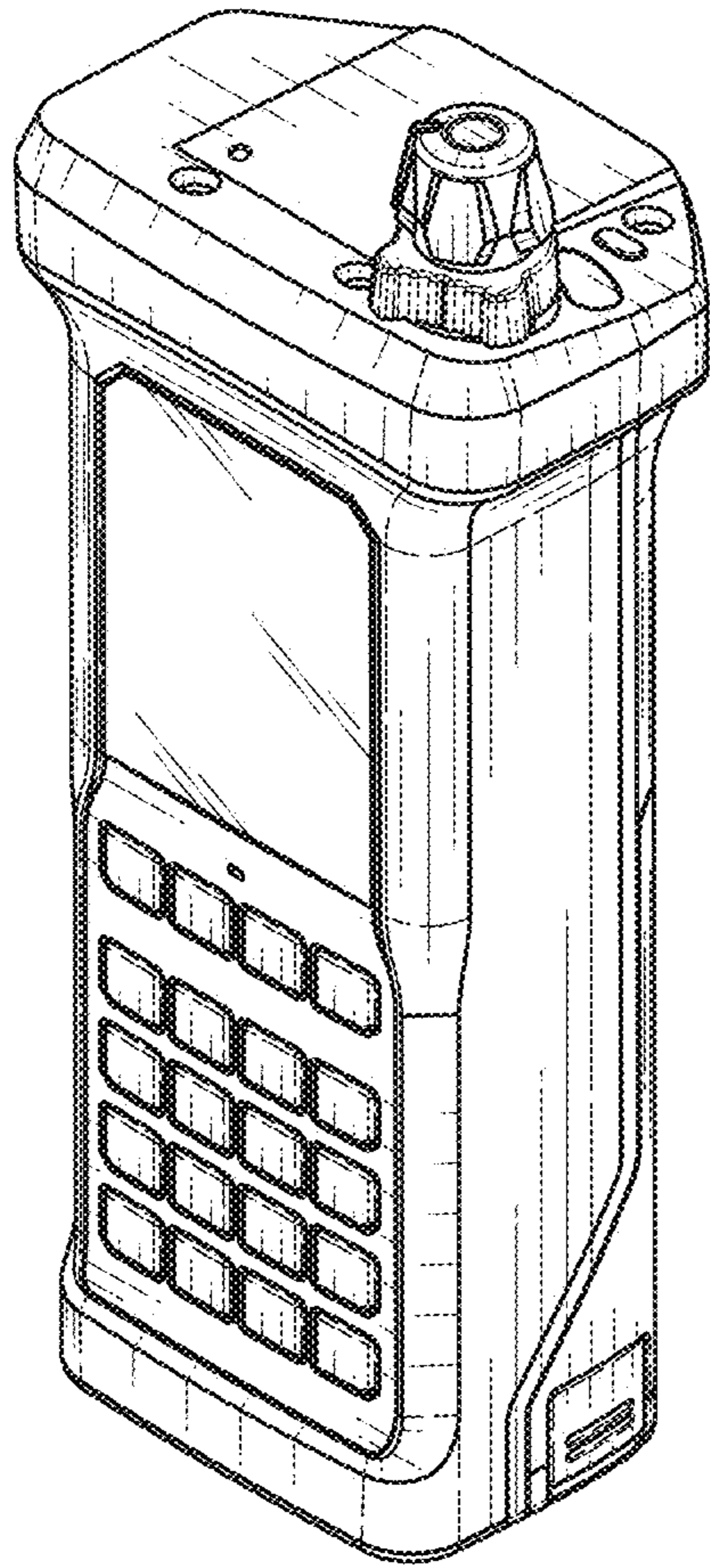


FIG. 1

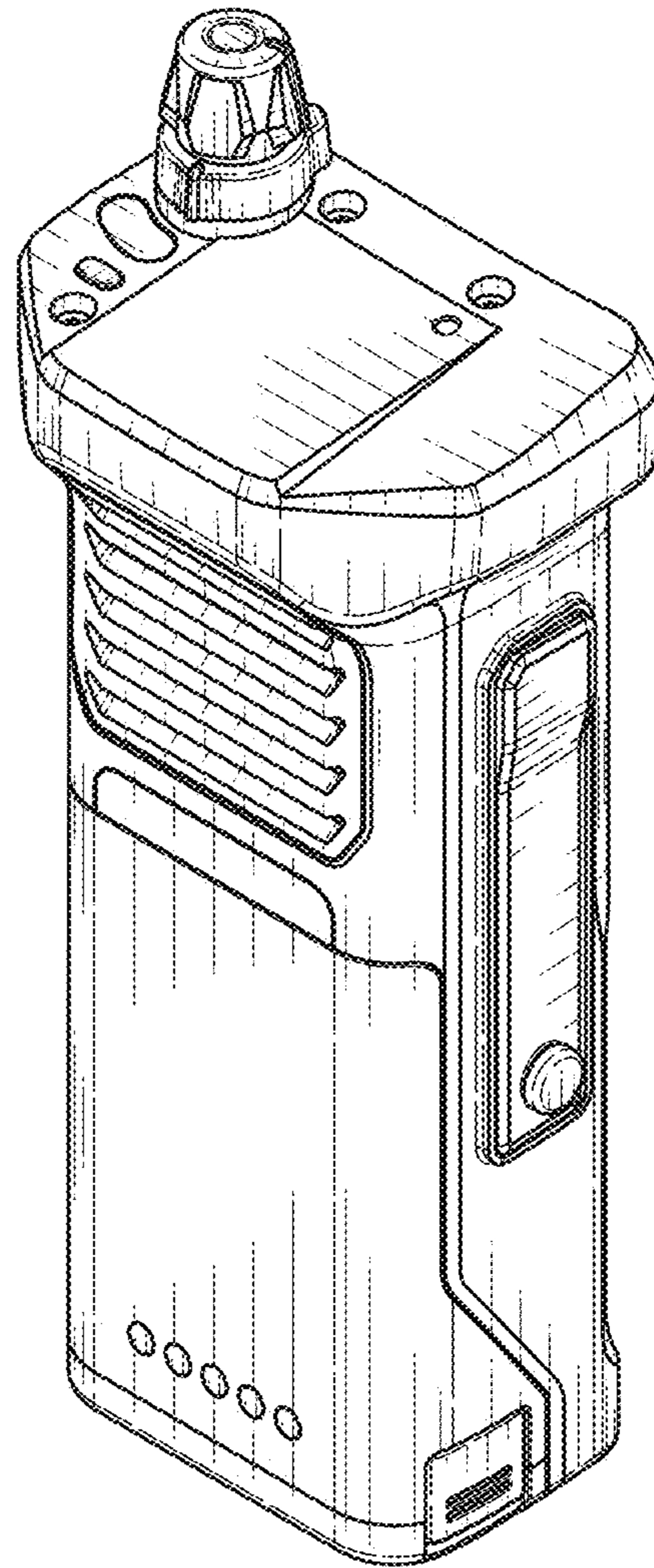


FIG. 2

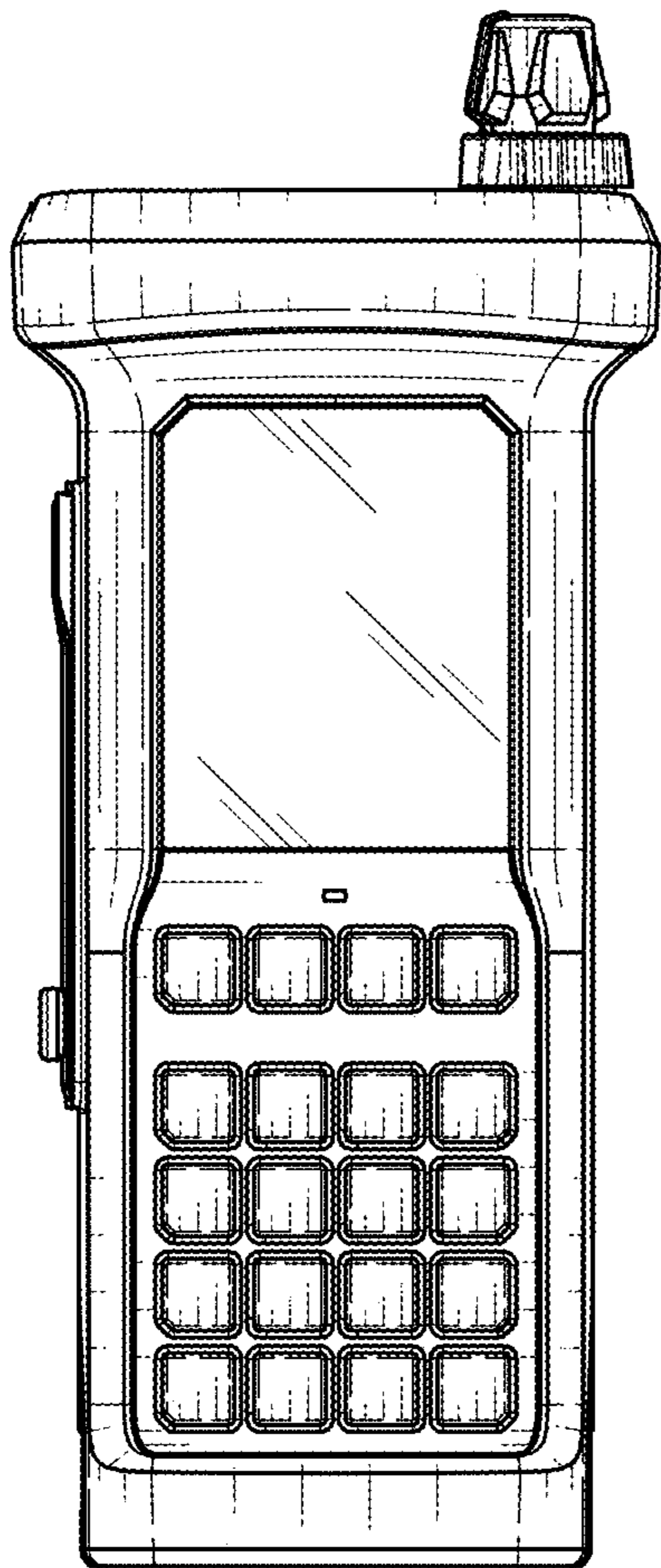


FIG. 3

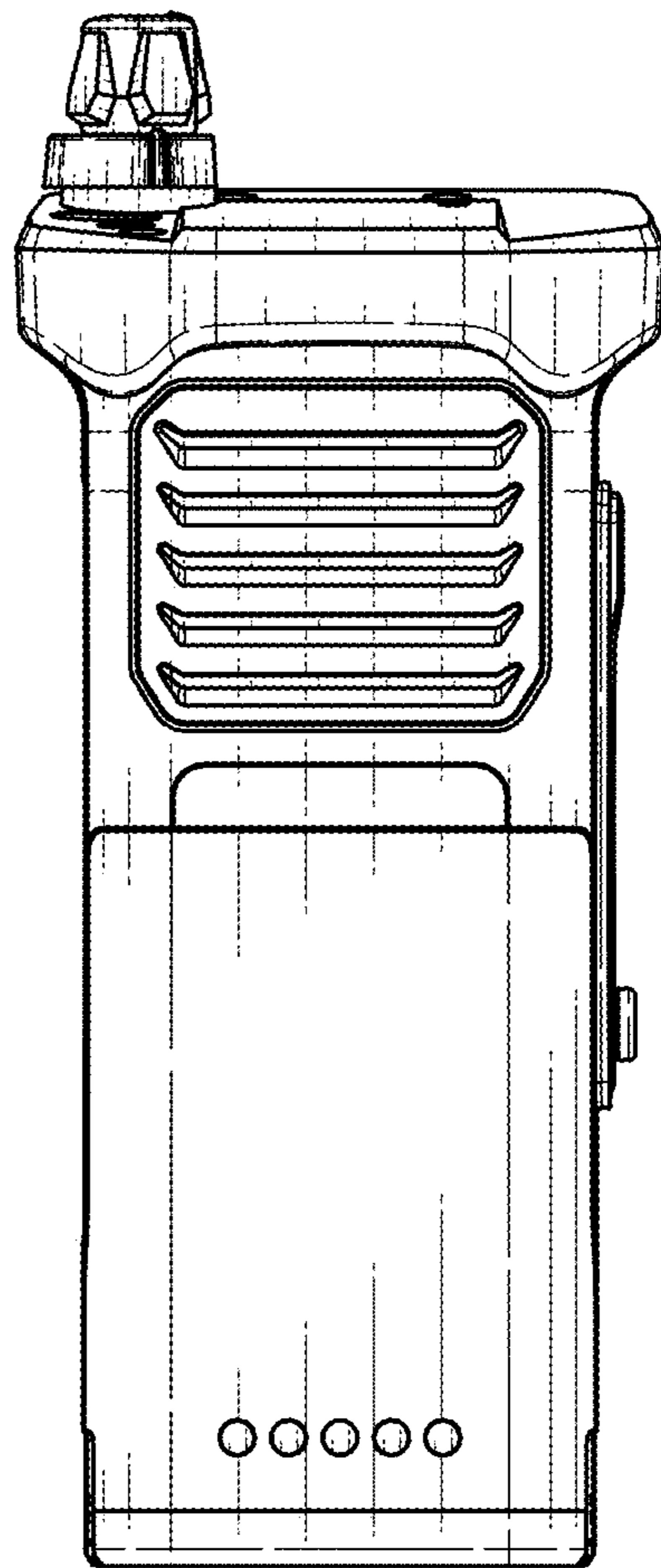


FIG. 4

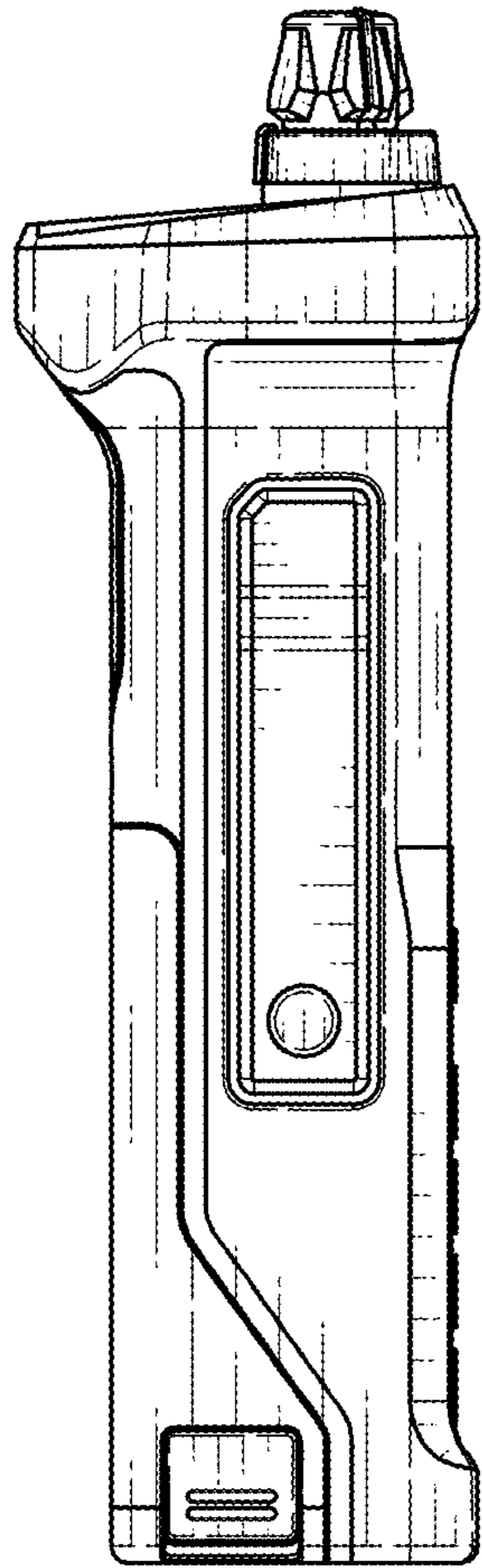


FIG. 5

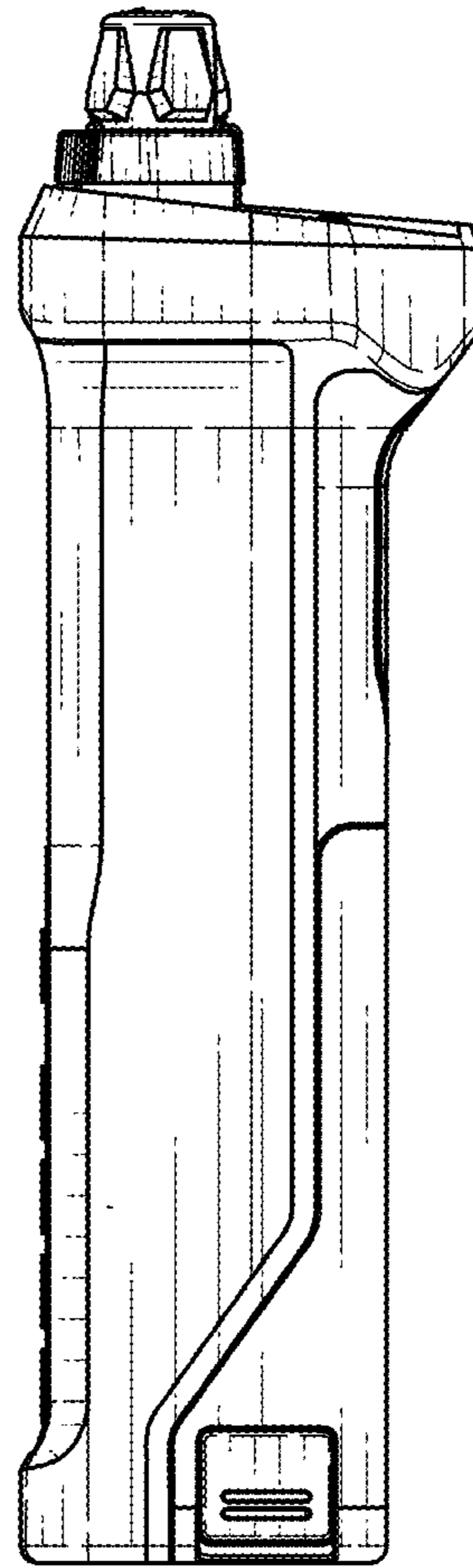


FIG. 6

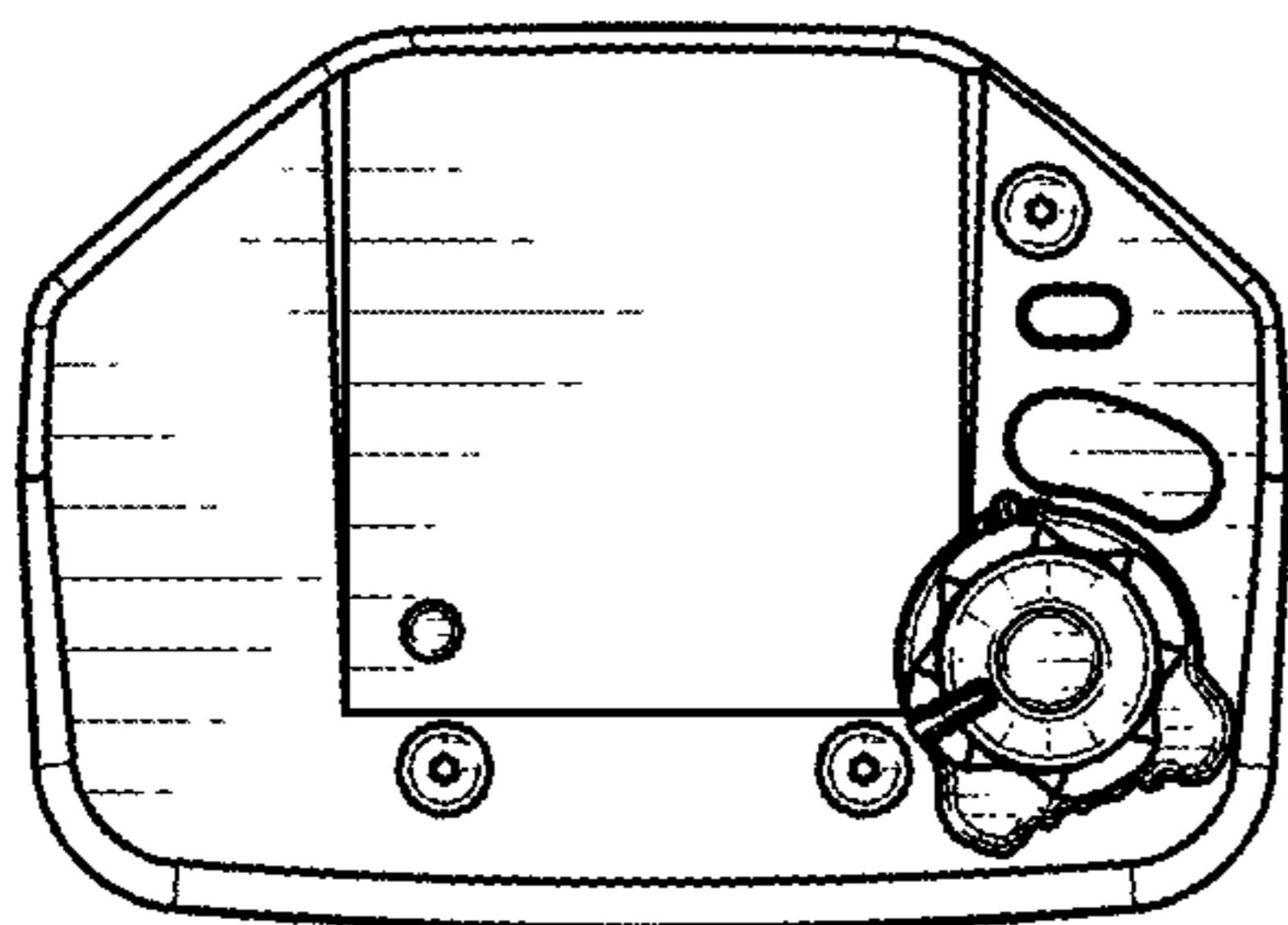


FIG. 7

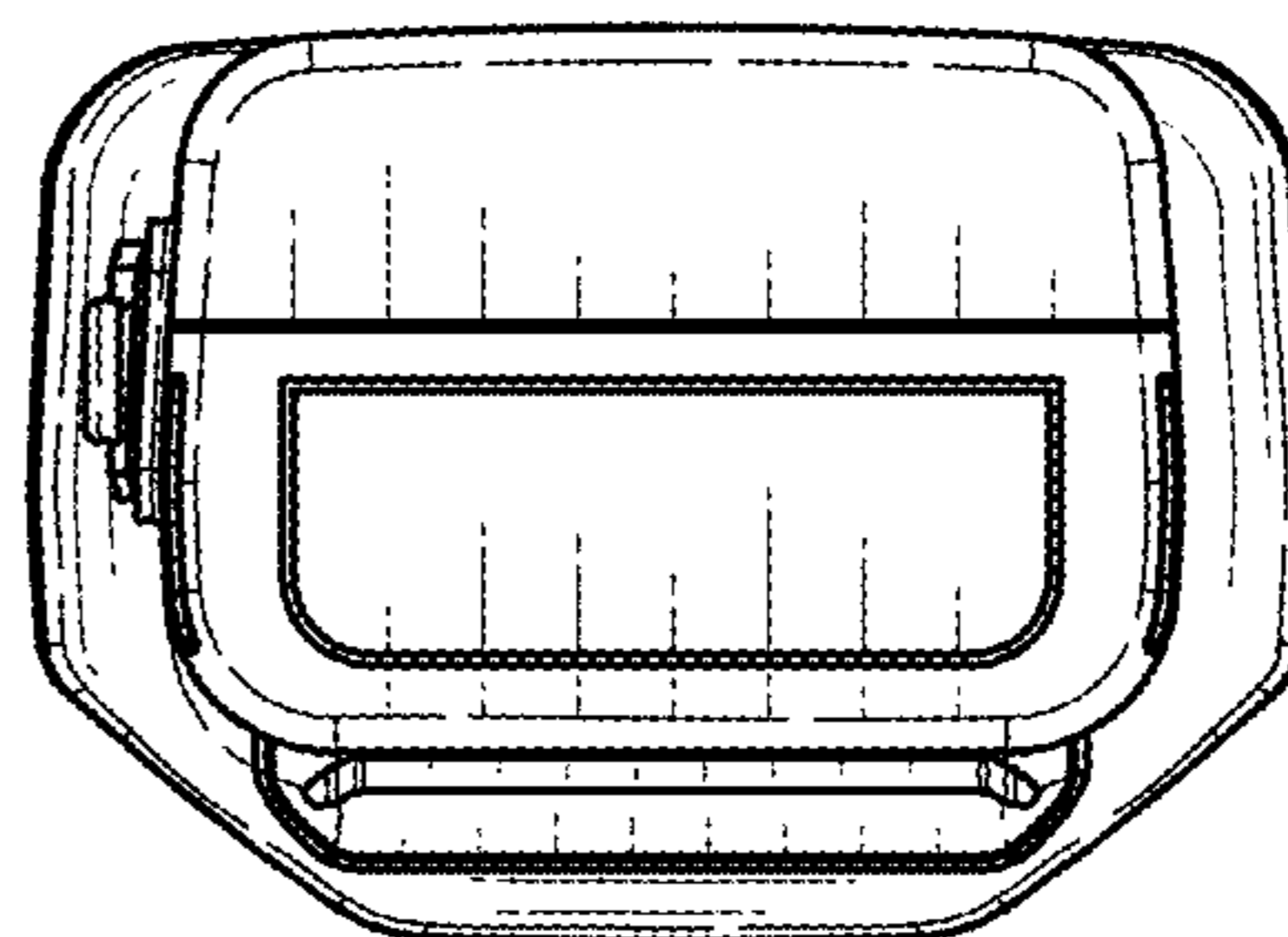


FIG. 8