



US00D974313S

(12) **United States Design Patent**
Laryea

(10) **Patent No.:** **US D974,313 S**
(45) **Date of Patent:** **** Jan. 3, 2023**

(54) **RADIO**

(71) Applicant: **BK Technologies, Inc.**, West Melbourne, FL (US)

(72) Inventor: **Edmund A. Laryea**, Sunrise, FL (US)

(73) Assignee: **BK Technologies, Inc.**, West Melbourne, FL (US)

(**) Term: **15 Years**

(21) Appl. No.: **29/777,872**

(22) Filed: **Apr. 8, 2021**

(51) **LOC (14) Cl.** **14-03**

(52) **U.S. Cl.**
USPC **D14/137**

(58) **Field of Classification Search**
USPC D14/137, 138 R, 138 AA, 138 AD;
D10/104.1

CPC .. H04B 1/3833; H04B 1/3827; H04B 1/3855;
H04B 2001/3861; H04M 1/0202; H04M
1/03; H04M 1/035

See application file for complete search history.

(56) **References Cited**

U.S. PATENT DOCUMENTS

D290,842 S * 7/1987 Scheid D14/137
D302,423 S * 7/1989 Martensson D14/138 AA
D347,426 S * 5/1994 Culbertson D14/137

(Continued)

Primary Examiner — Bridget L Eland

(74) *Attorney, Agent, or Firm* — Kirton McConkie; Brian Tucker

(57) **CLAIM**

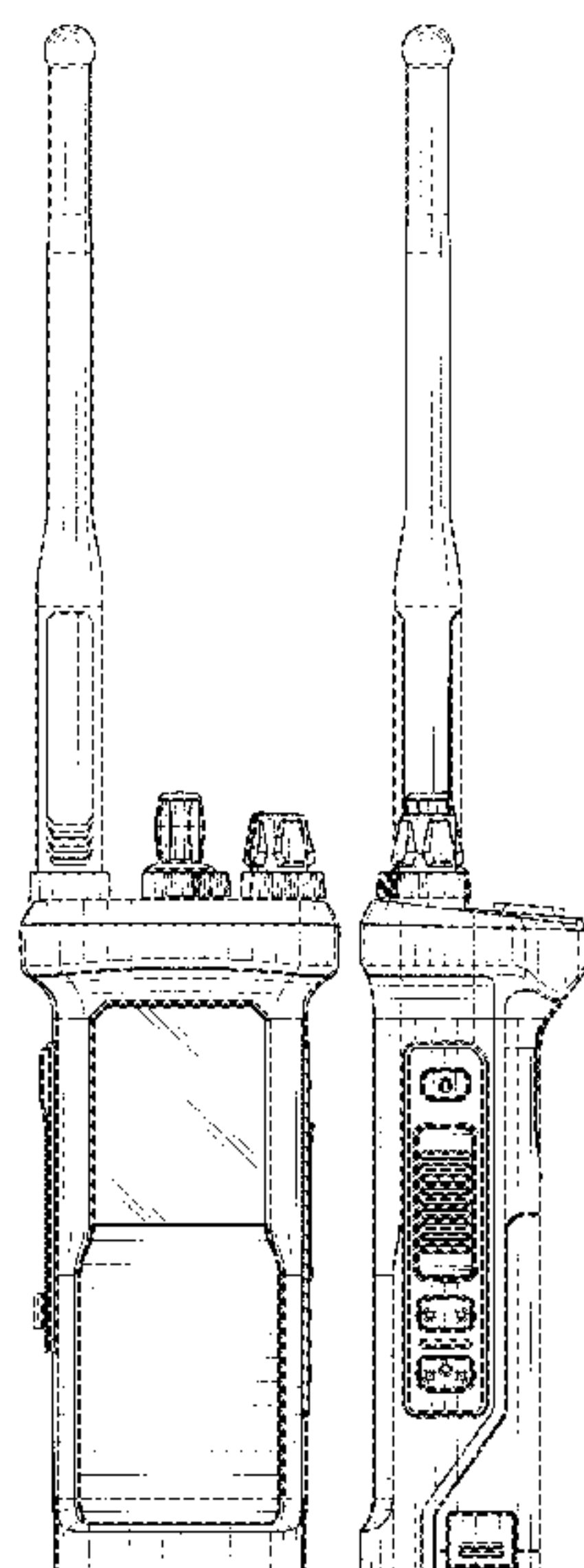
The ornamental design for a radio, as shown.

DESCRIPTION

FIG. 1 is a top front perspective view of a radio showing a first embodiment of the claimed design;

FIG. 2 is a top rear perspective view of the first embodiment; FIG. 3 is a front view of the first embodiment; FIG. 4 is a rear view of the first embodiment; FIG. 5 is a left view of the first embodiment; FIG. 6 is a right view of the first embodiment; FIG. 7 is a top view of the first embodiment; FIG. 8 is a bottom view of the first embodiment; FIG. 9 is a top front perspective view of a radio showing a second embodiment of the claimed design; FIG. 10 is a top rear perspective view of the second embodiment; FIG. 11 is a front view of the second embodiment; FIG. 12 is a rear view of the second embodiment; FIG. 13 is a left view of the second embodiment; FIG. 14 is a right view of the second embodiment; FIG. 15 is a top view of the second embodiment; FIG. 16 is a bottom view of the second embodiment; FIG. 17 is a top front perspective view of a radio showing a third embodiment of the claimed design; FIG. 18 is a top rear perspective view of the third embodiment; FIG. 19 is a front view of the third embodiment; FIG. 20 is a rear view of the third embodiment; FIG. 21 is a left view of the third embodiment; FIG. 22 is a right view of the third embodiment; FIG. 23 is a top view of the third embodiment; FIG. 24 is a bottom view of the third embodiment; FIG. 25 is a top front perspective view of a radio showing a fourth embodiment of the claimed design; FIG. 26 is a top rear perspective view of the fourth embodiment; FIG. 27 is a front view of the fourth embodiment; FIG. 28 is a rear view of the fourth embodiment; FIG. 29 is a left view of the fourth embodiment; FIG. 30 is a right view of the fourth embodiment; FIG. 31 is a top view of the fourth embodiment; and, FIG. 32 is a bottom view of the fourth embodiment.

1 Claim, 16 Drawing Sheets



(56)

References Cited

U.S. PATENT DOCUMENTS

D477,816	S	*	7/2003	Yahaya	D14/137
D497,600	S	*	10/2004	Richards	D14/137
D540,765	S	*	4/2007	Pritchard	D14/137
D564,999	S	*	3/2008	Richards	D14/137
D576,980	S	*	9/2008	Onoue	D14/137
D577,699	S	*	9/2008	Onoue	D14/137
D605,616	S	*	12/2009	Scott	D14/137
D635,945	S	*	4/2011	Richards	D14/137
D654,035	S	*	2/2012	Ismail	D14/137
D662,482	S	*	6/2012	Kaner	D14/137
D754,089	S	*	4/2016	Yong	D14/137
D785,584	S	*	5/2017	Nilsen	D14/137
D805,494	S	*	12/2017	Richards	D14/137
D818,451	S	*	5/2018	Takahashi	D14/137
D881,146	S	*	4/2020	Nilsen	D14/137
D894,143	S	*	8/2020	Nishizawa	D14/137
D923,597	S	*	6/2021	Nishikawa	D14/137
D950,509	S	*	5/2022	Ranly	D14/137
D952,590	S	*	5/2022	Duman	D14/137

* cited by examiner

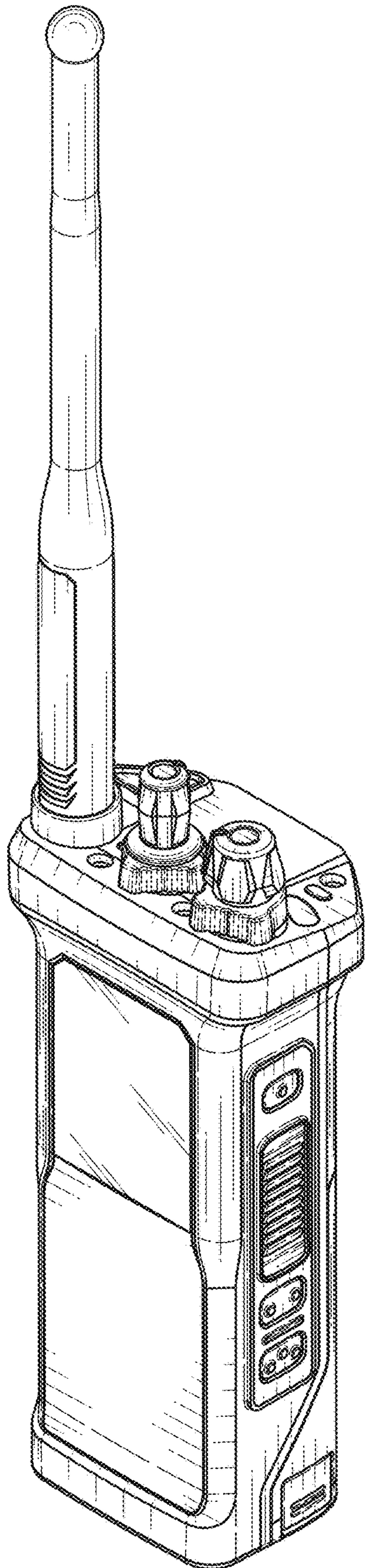


FIG. 1

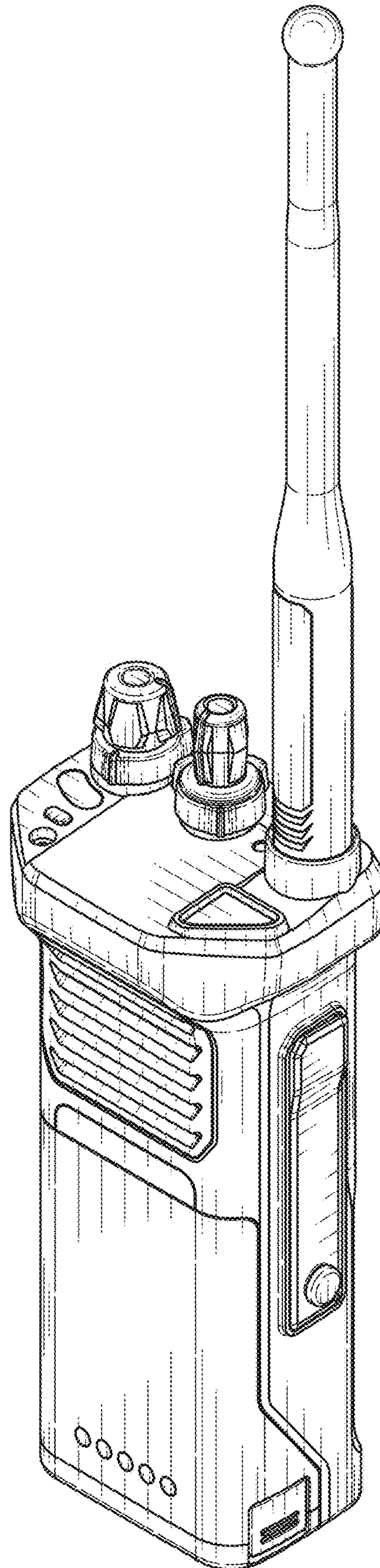


FIG. 2

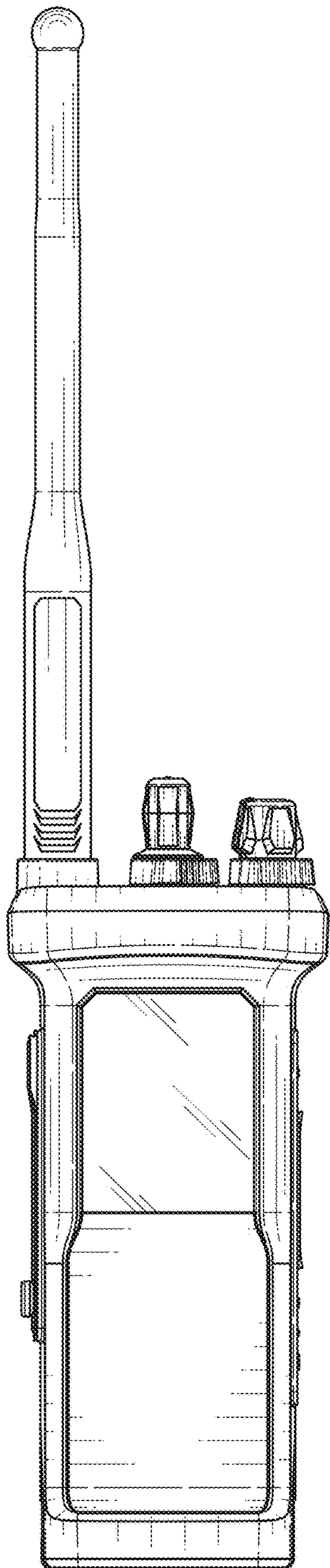


FIG. 3

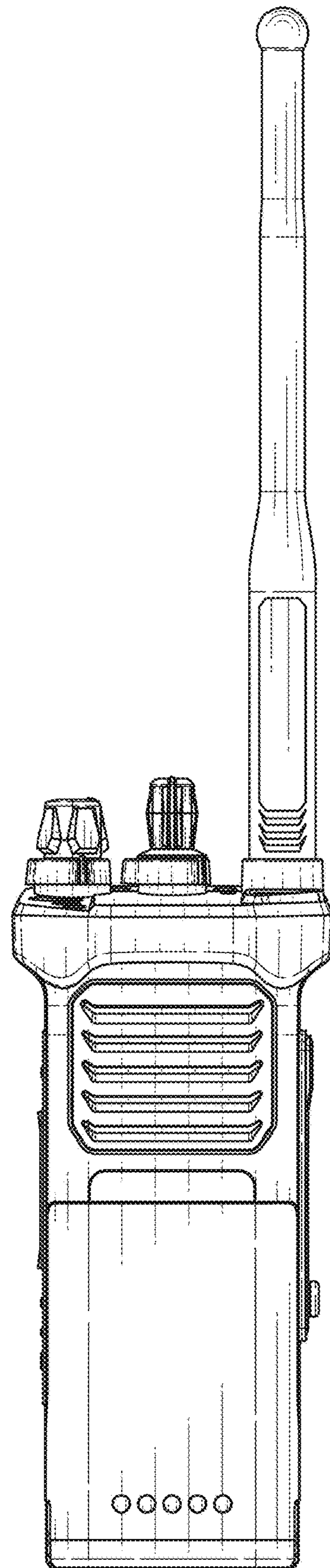


FIG. 4

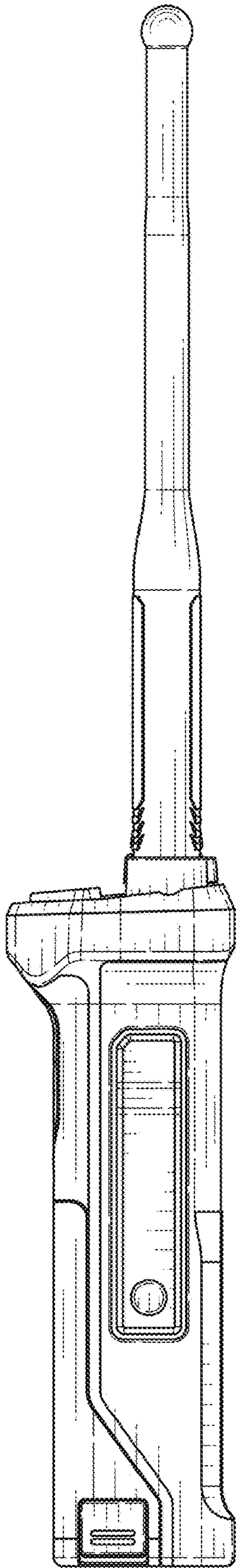


FIG. 5

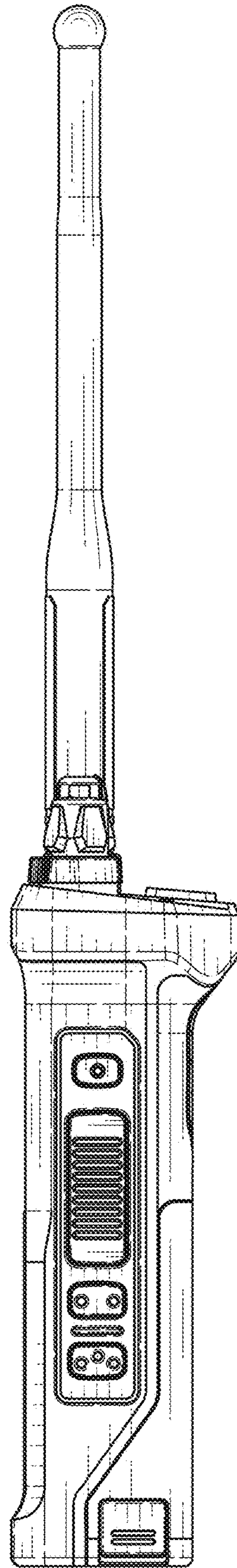


FIG. 6

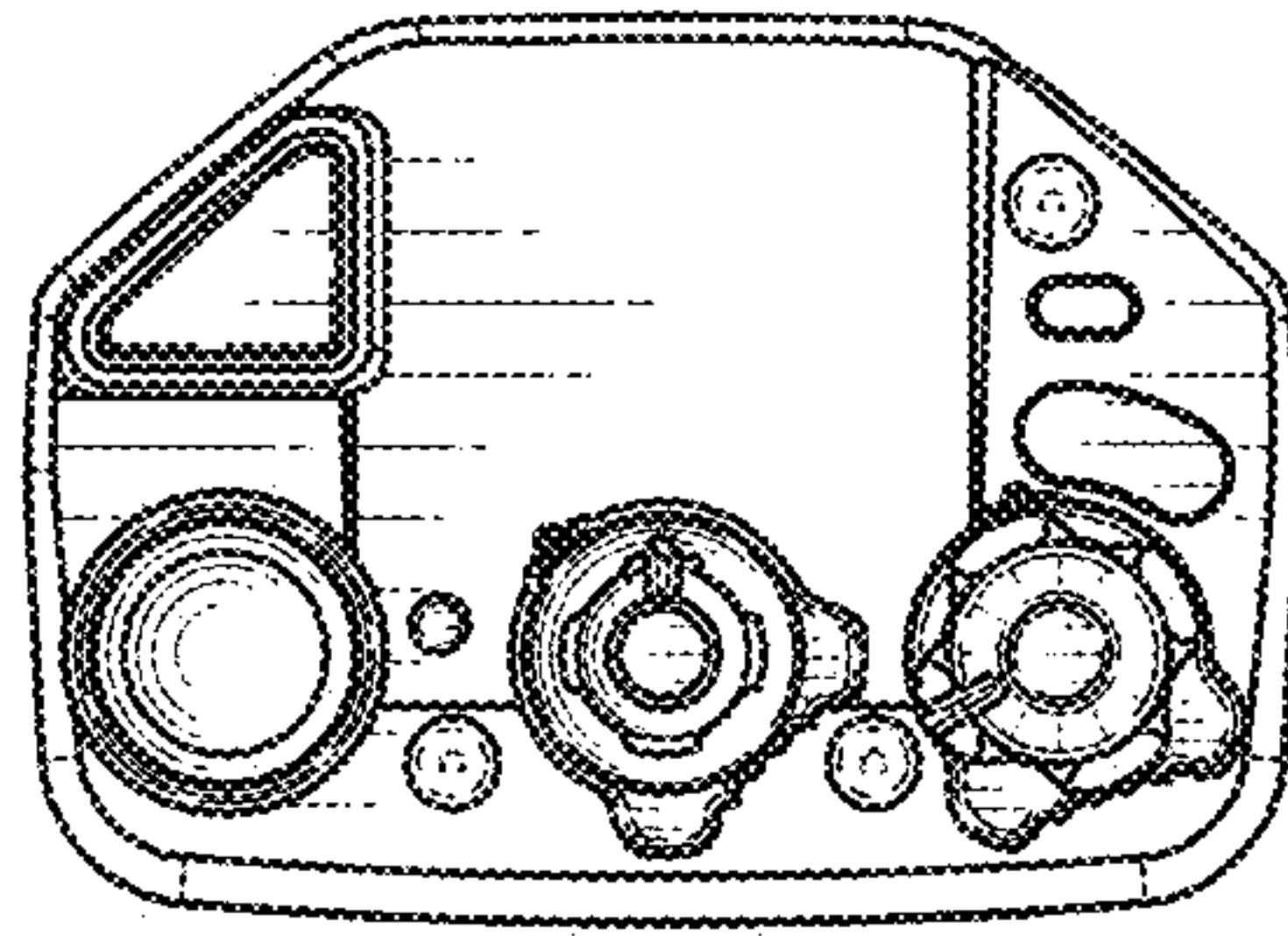


FIG. 7

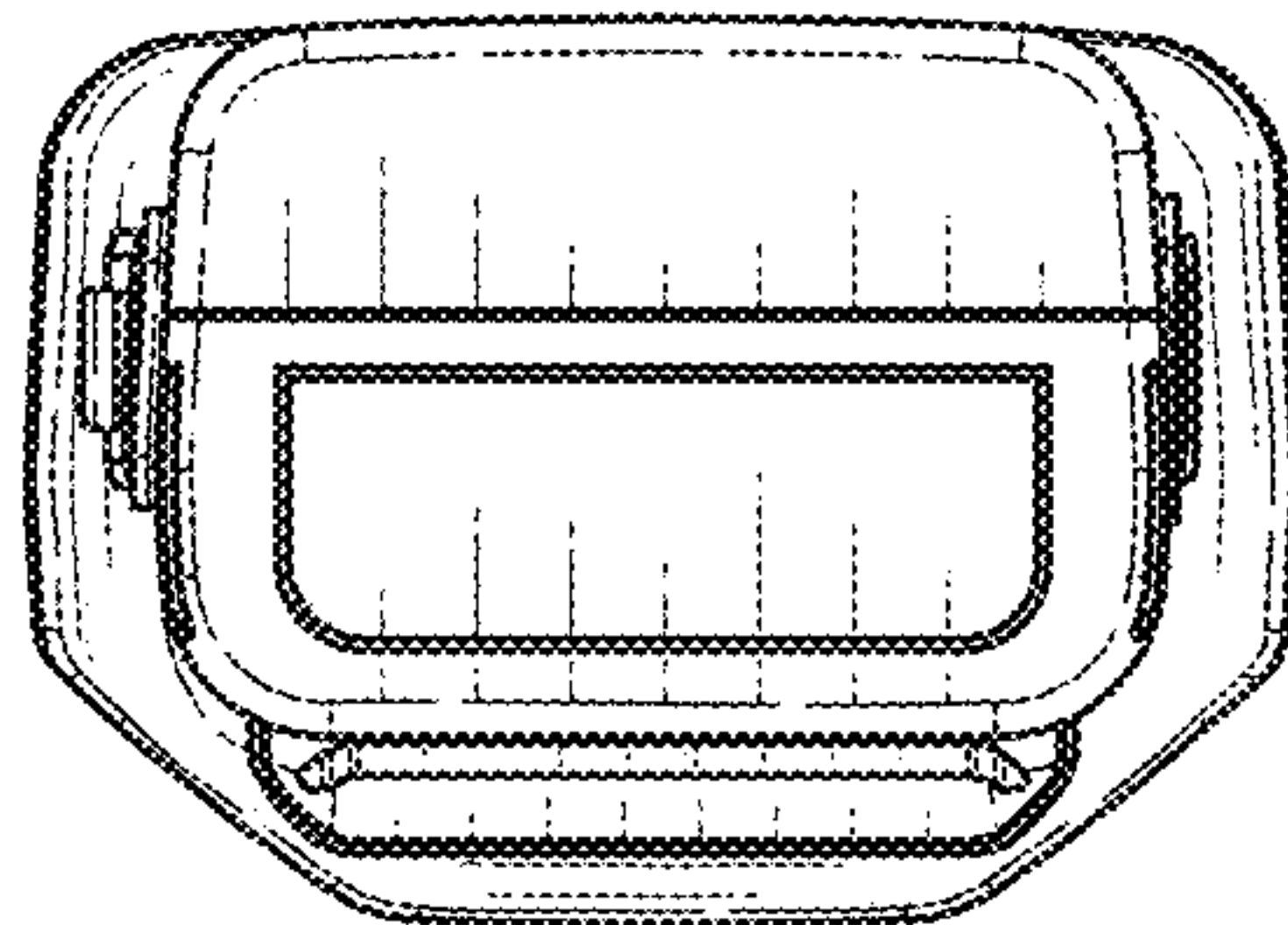


FIG. 8

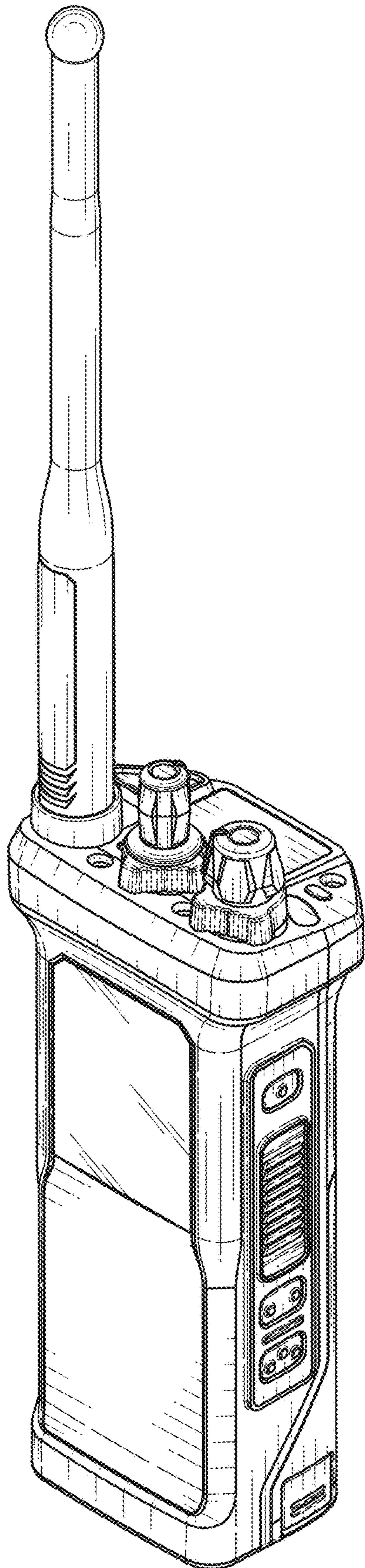


FIG. 9

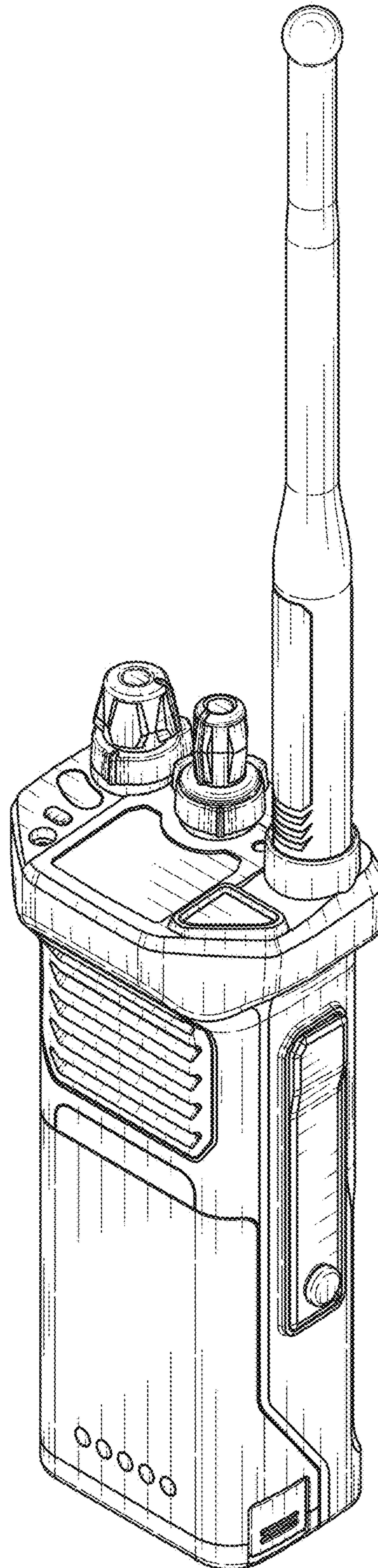


FIG. 10

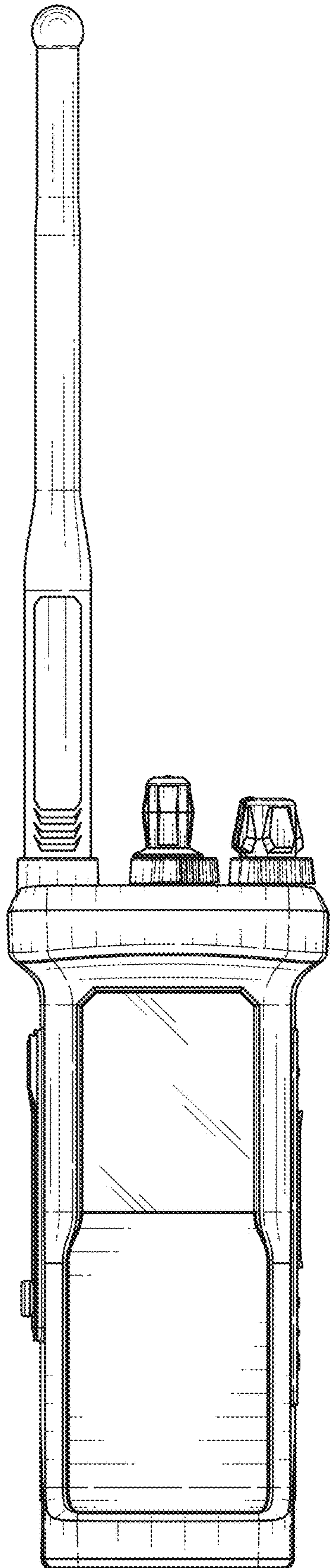


FIG. 11

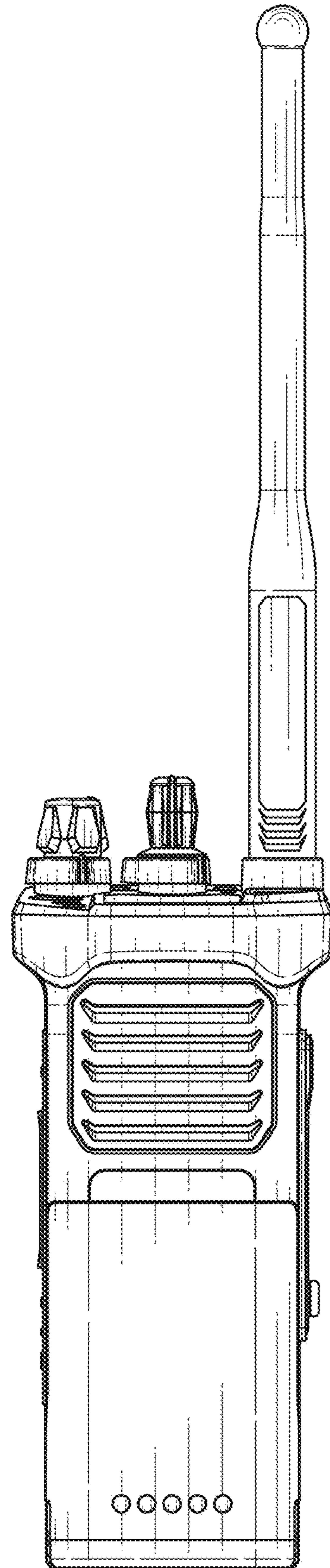


FIG. 12

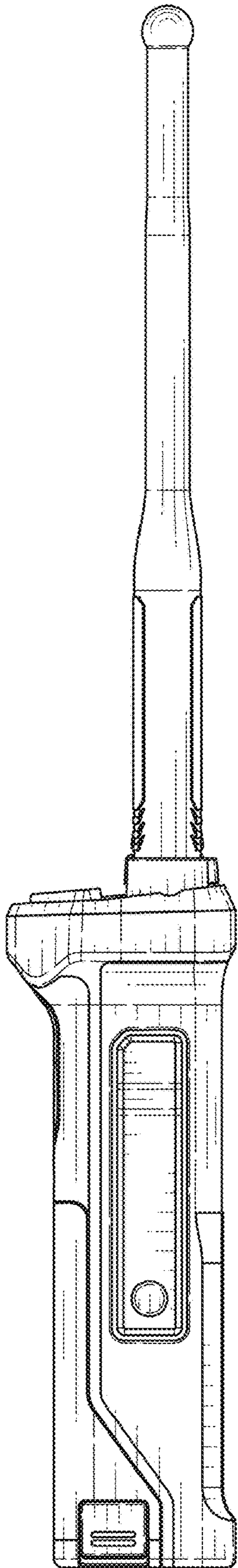


FIG. 13

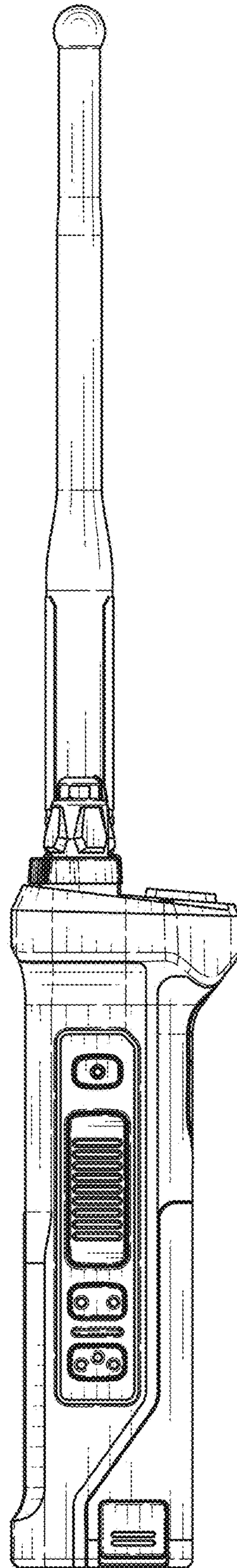


FIG. 14

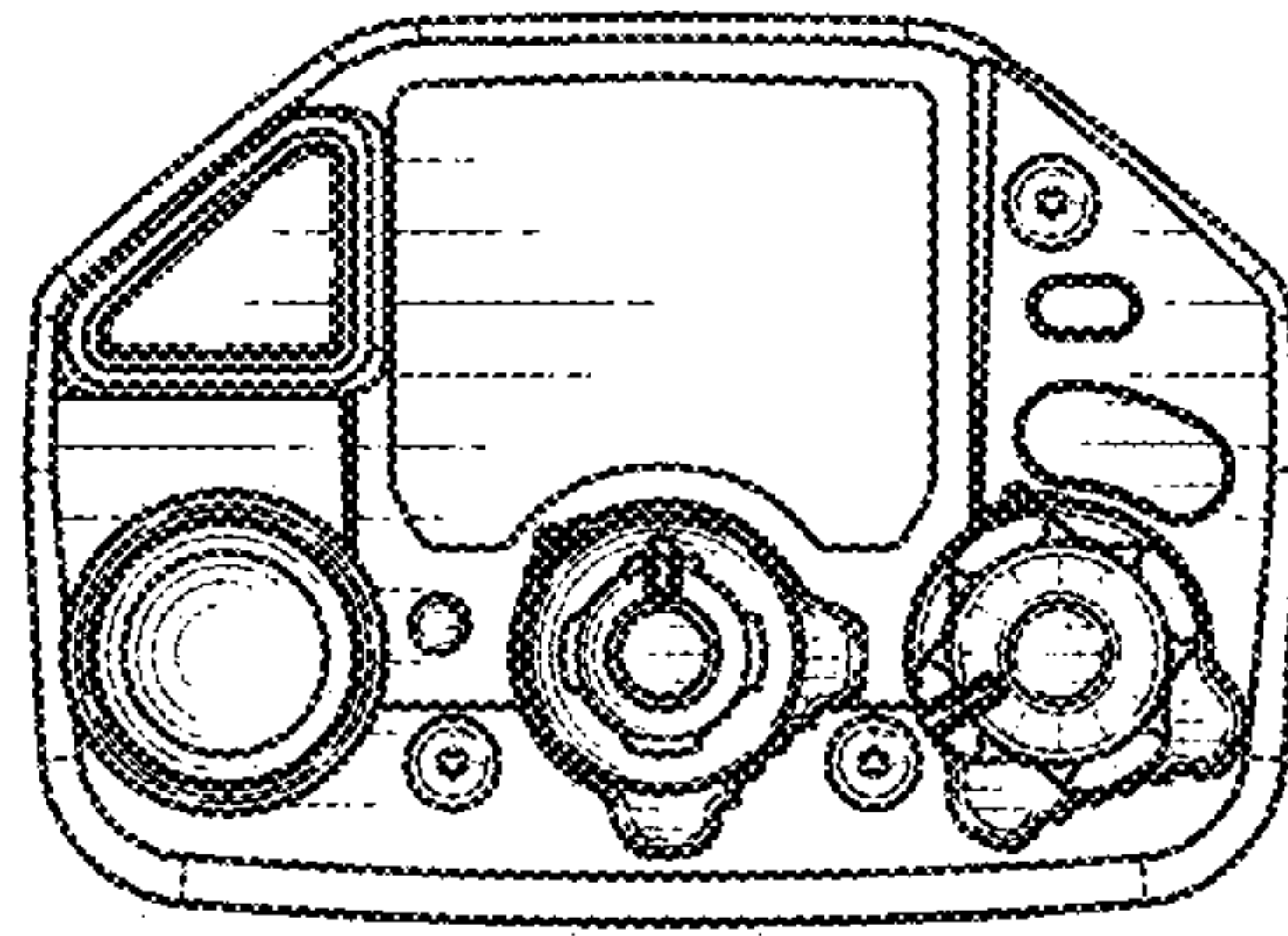


FIG. 15

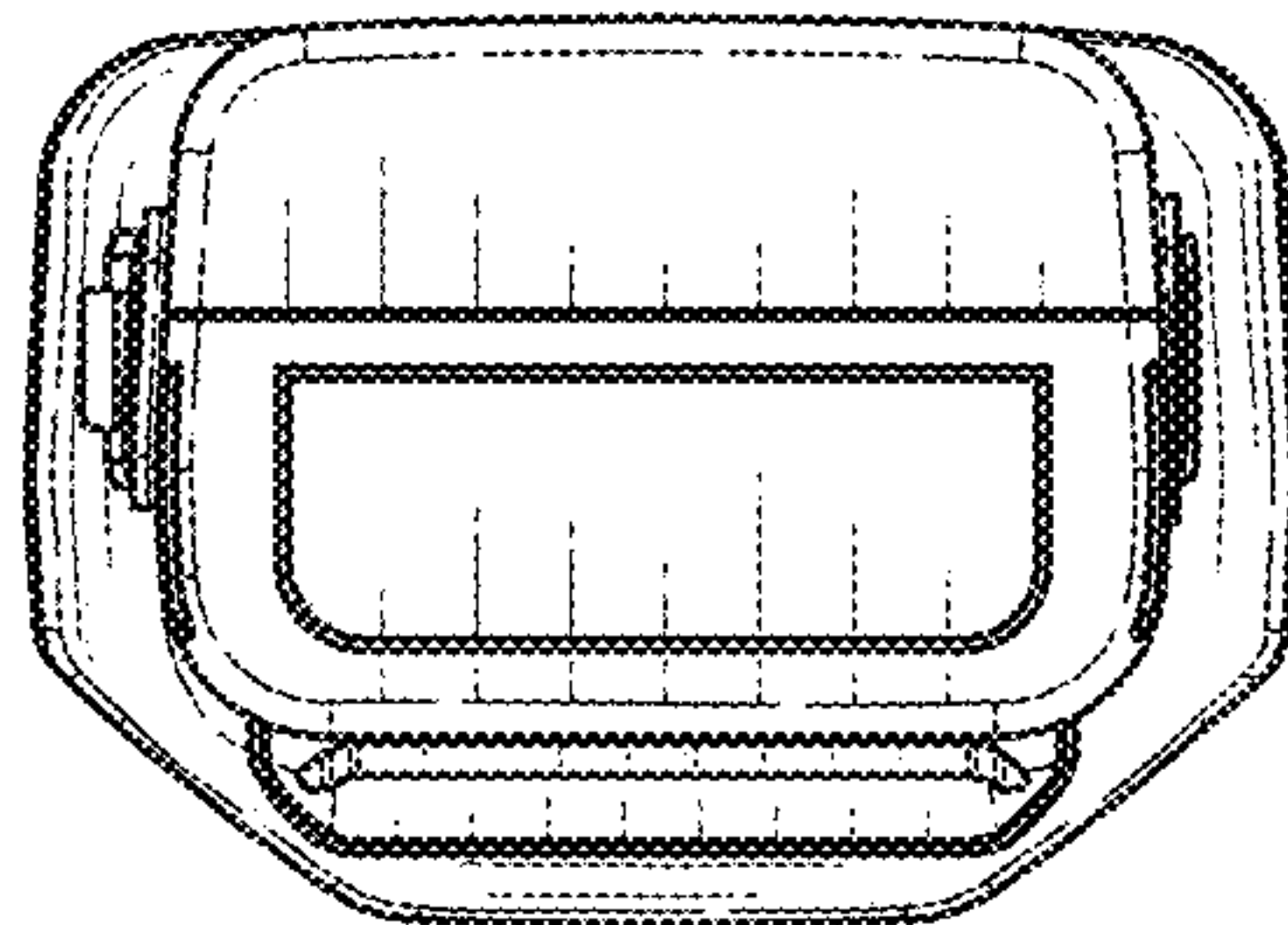


FIG. 16

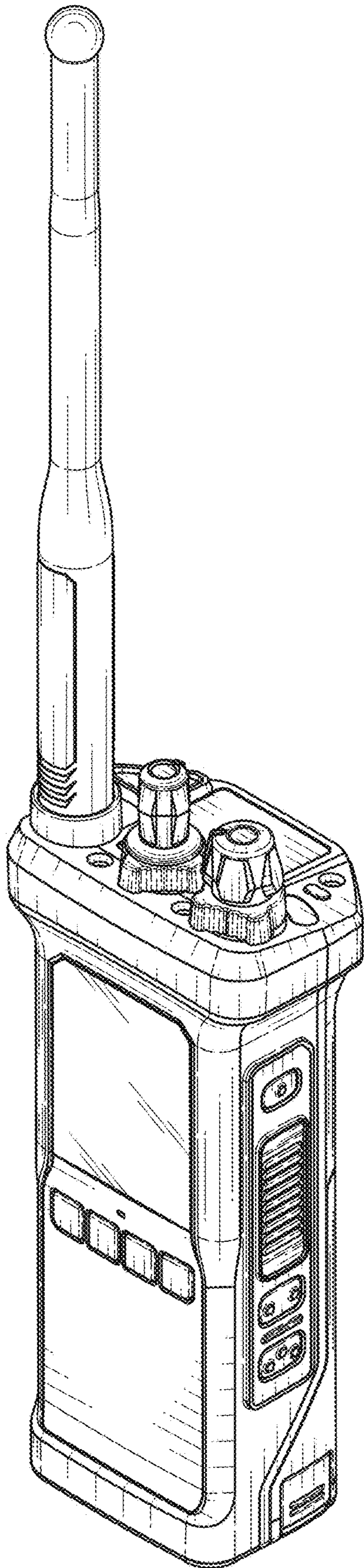


FIG. 17

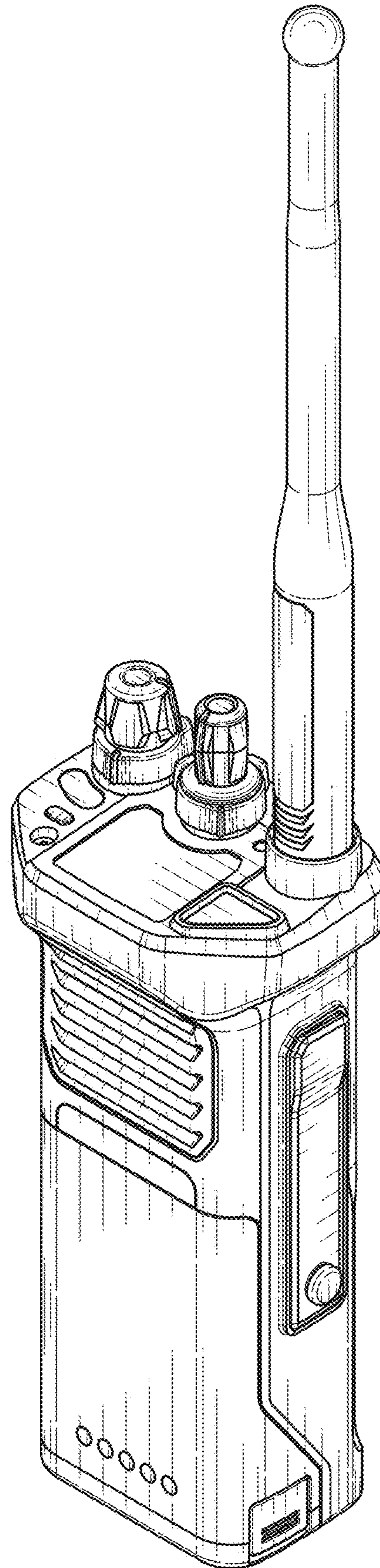


FIG. 18

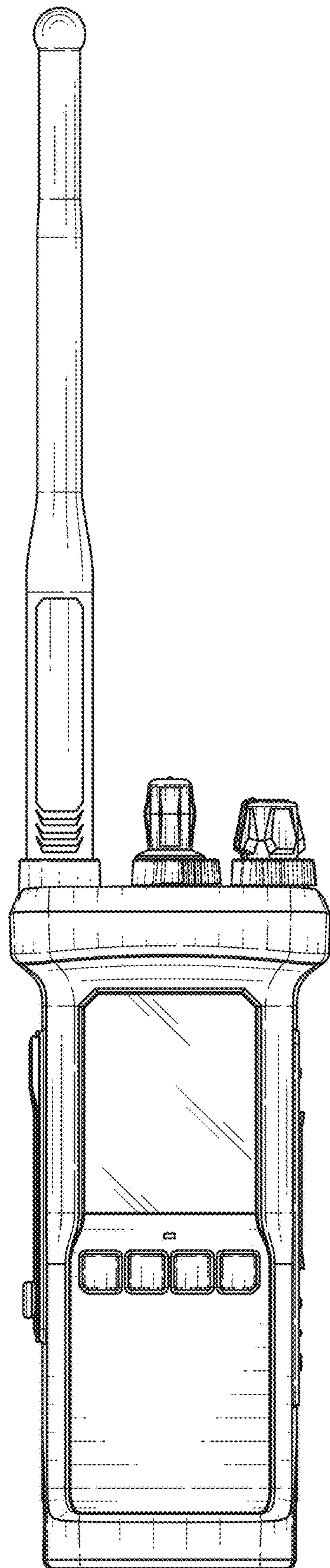


FIG. 19

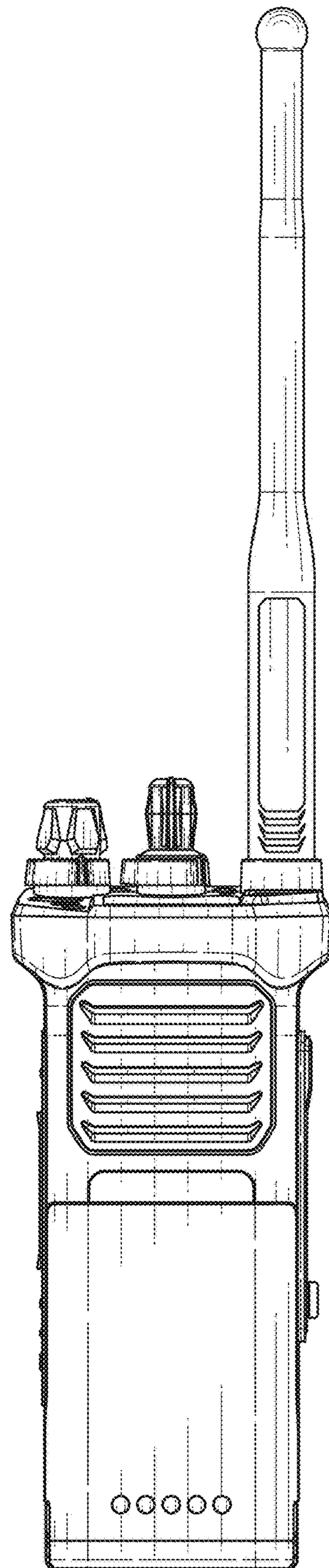


FIG. 20

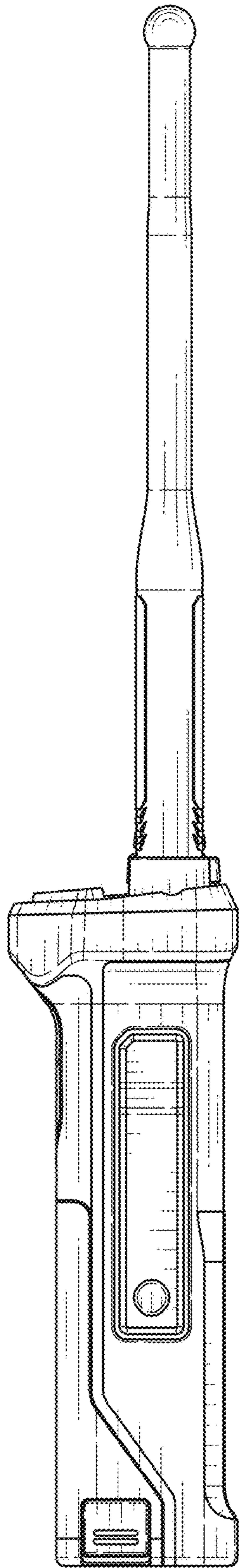


FIG. 21

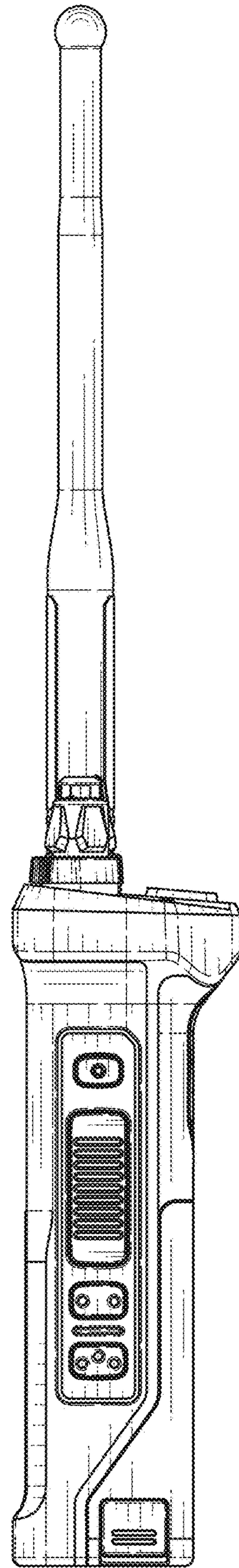


FIG. 22

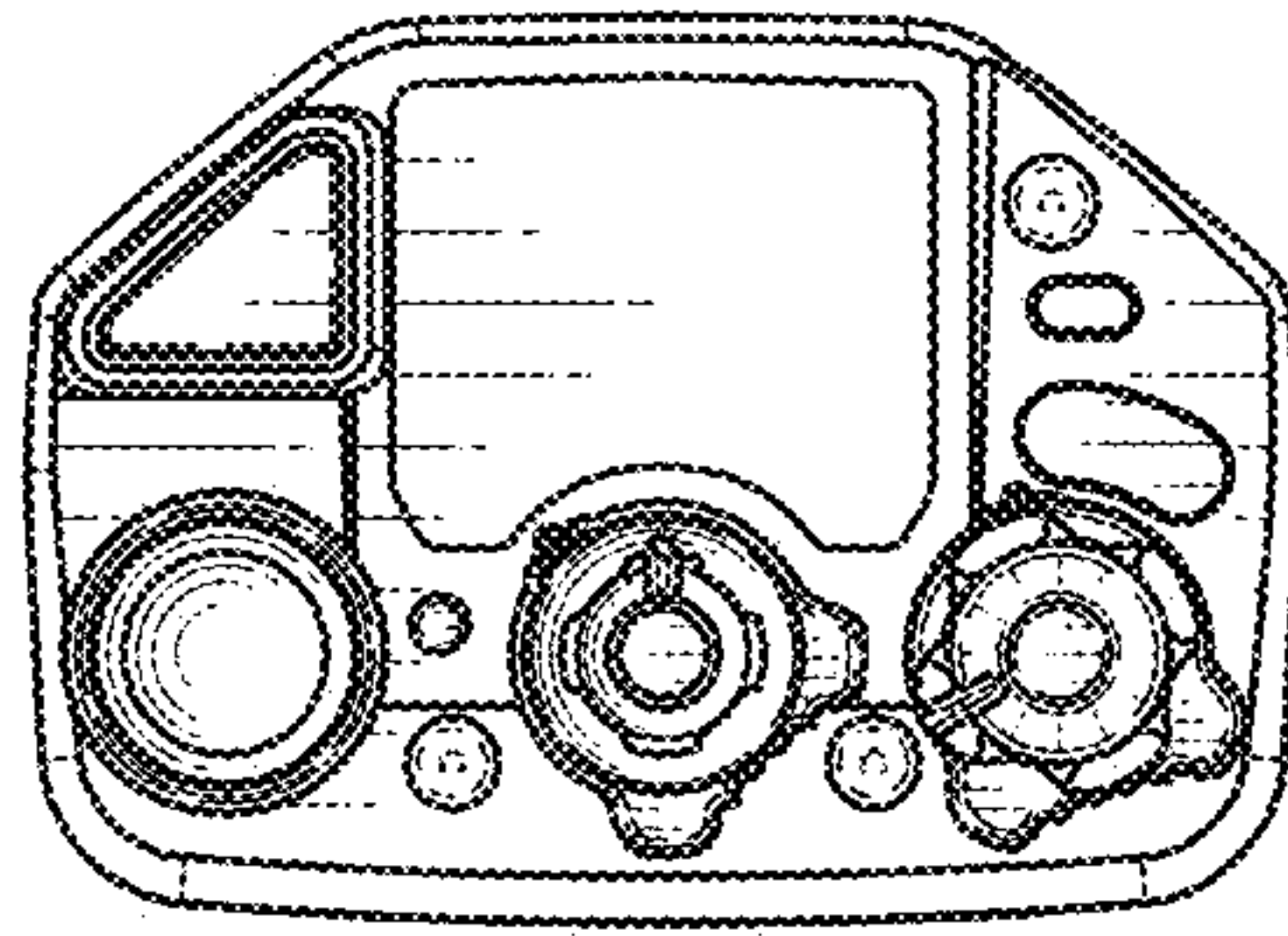


FIG. 23

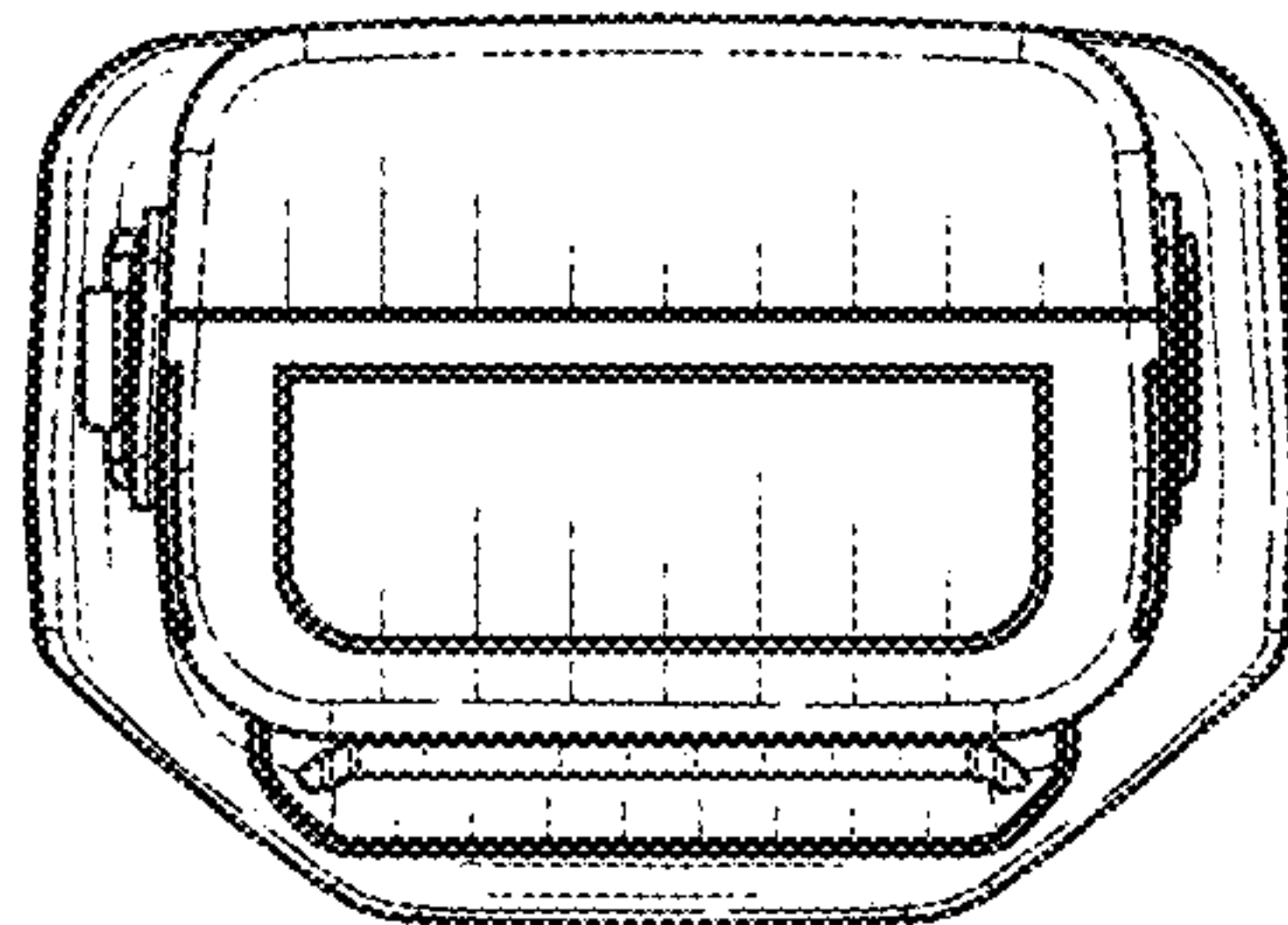


FIG. 24

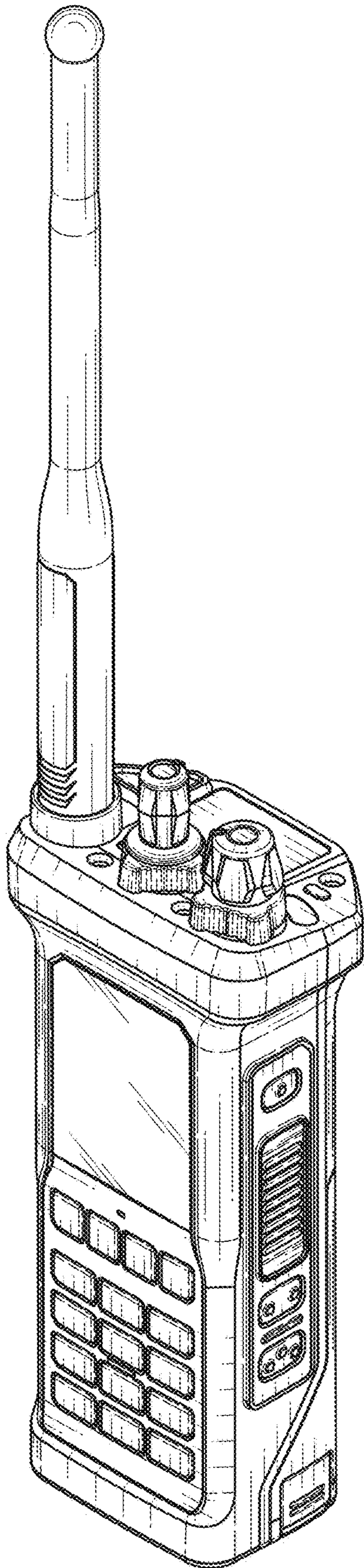


FIG. 25

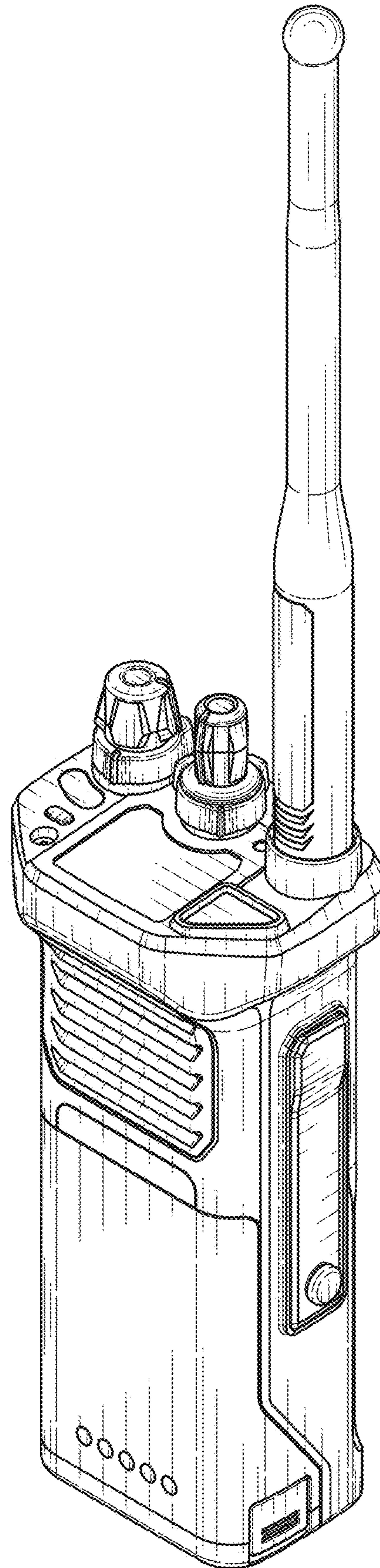


FIG. 26

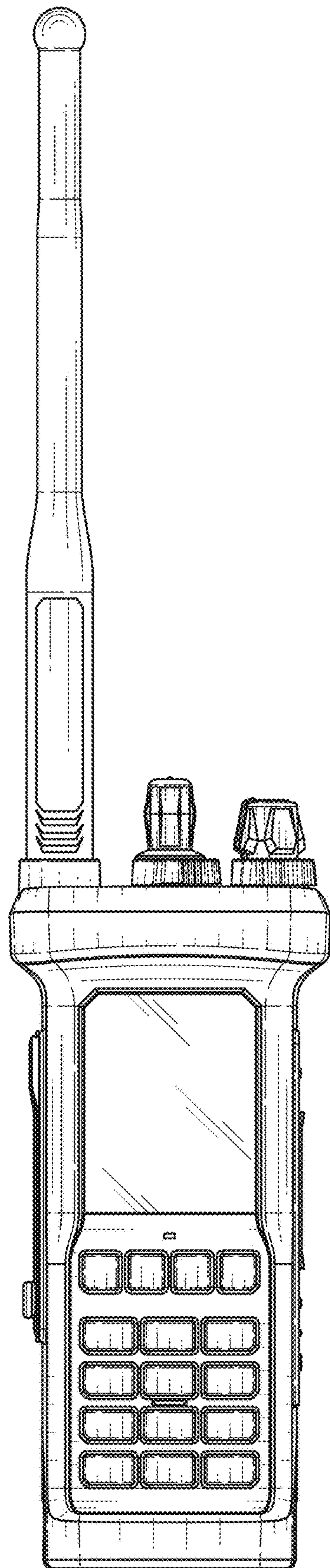


FIG. 27

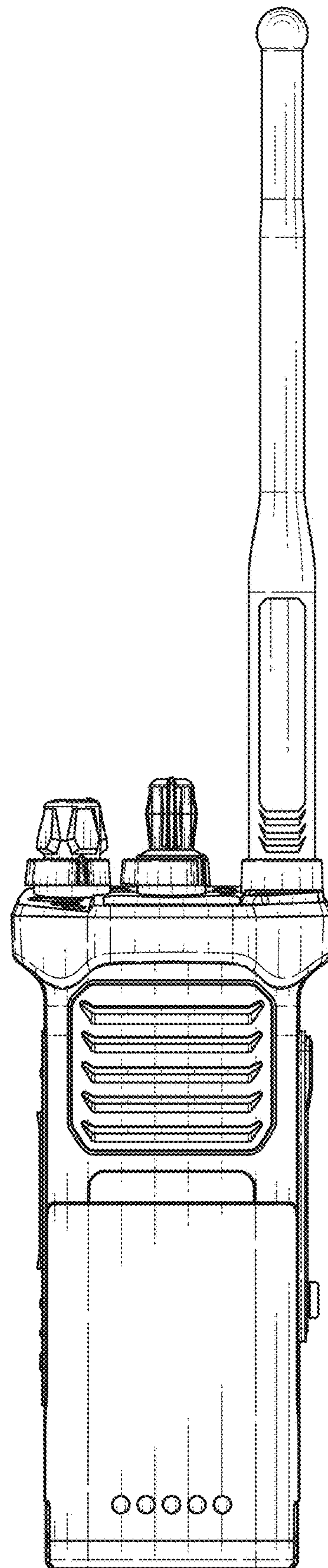


FIG. 28

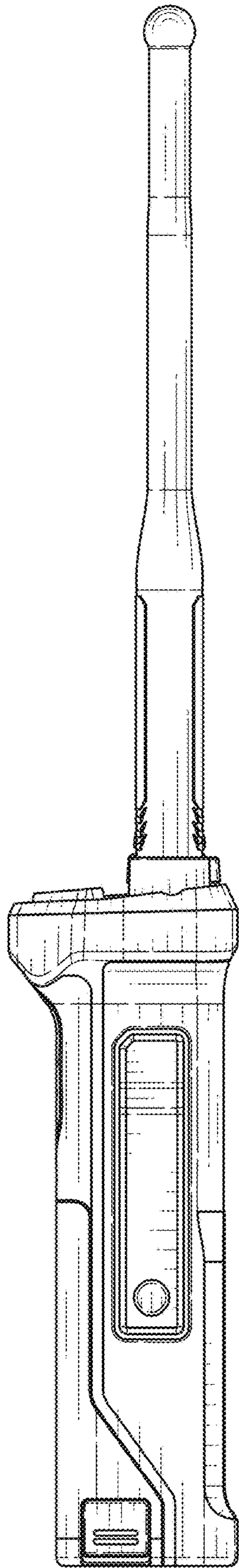


FIG. 29

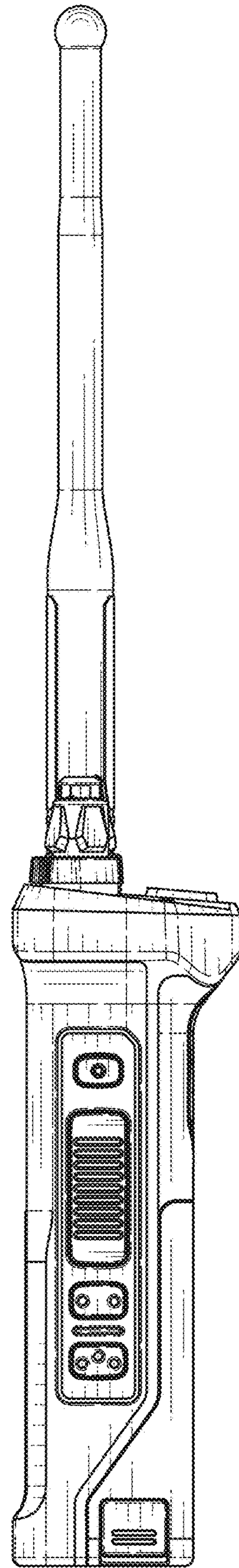


FIG. 30

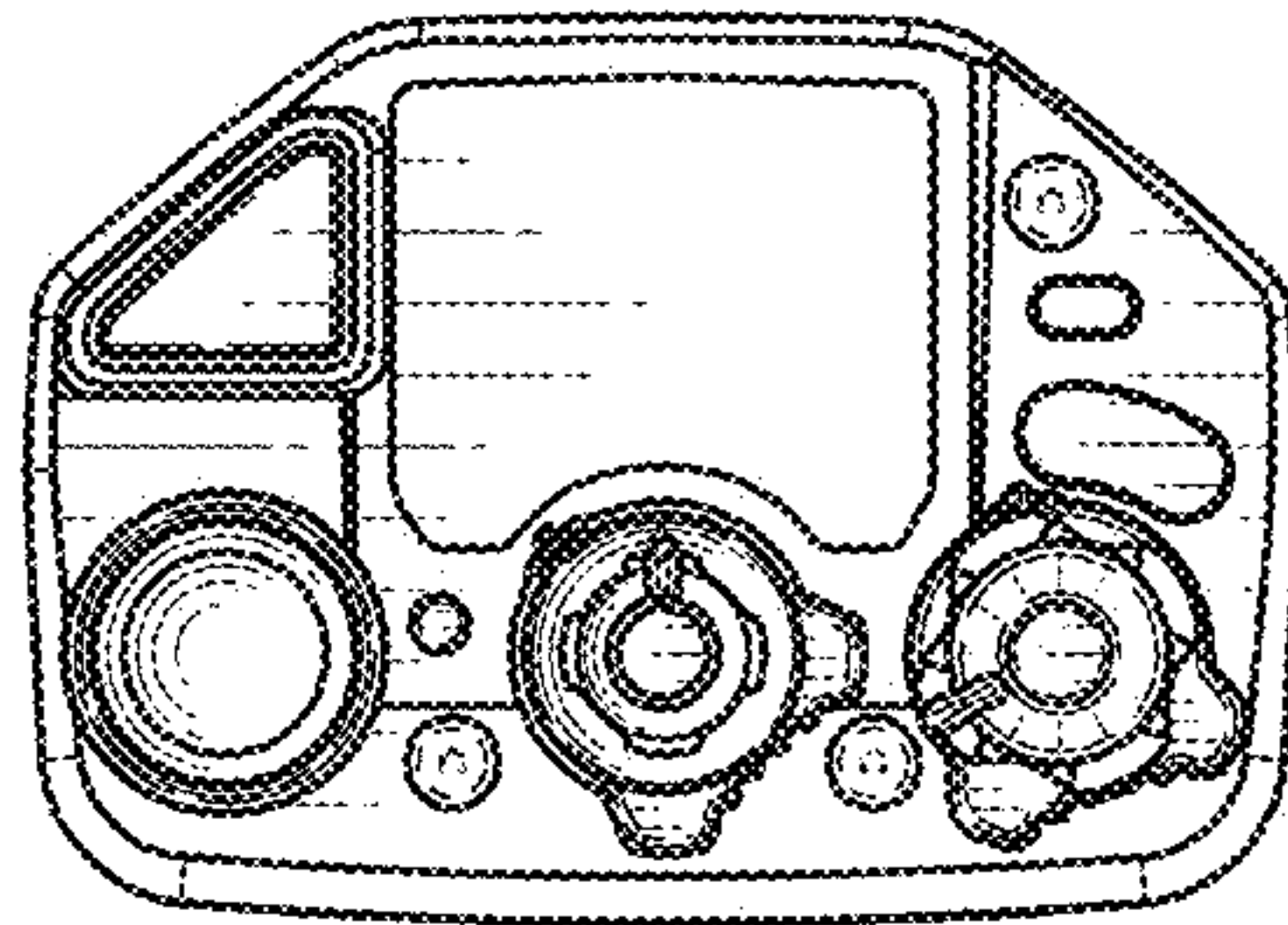


FIG. 31

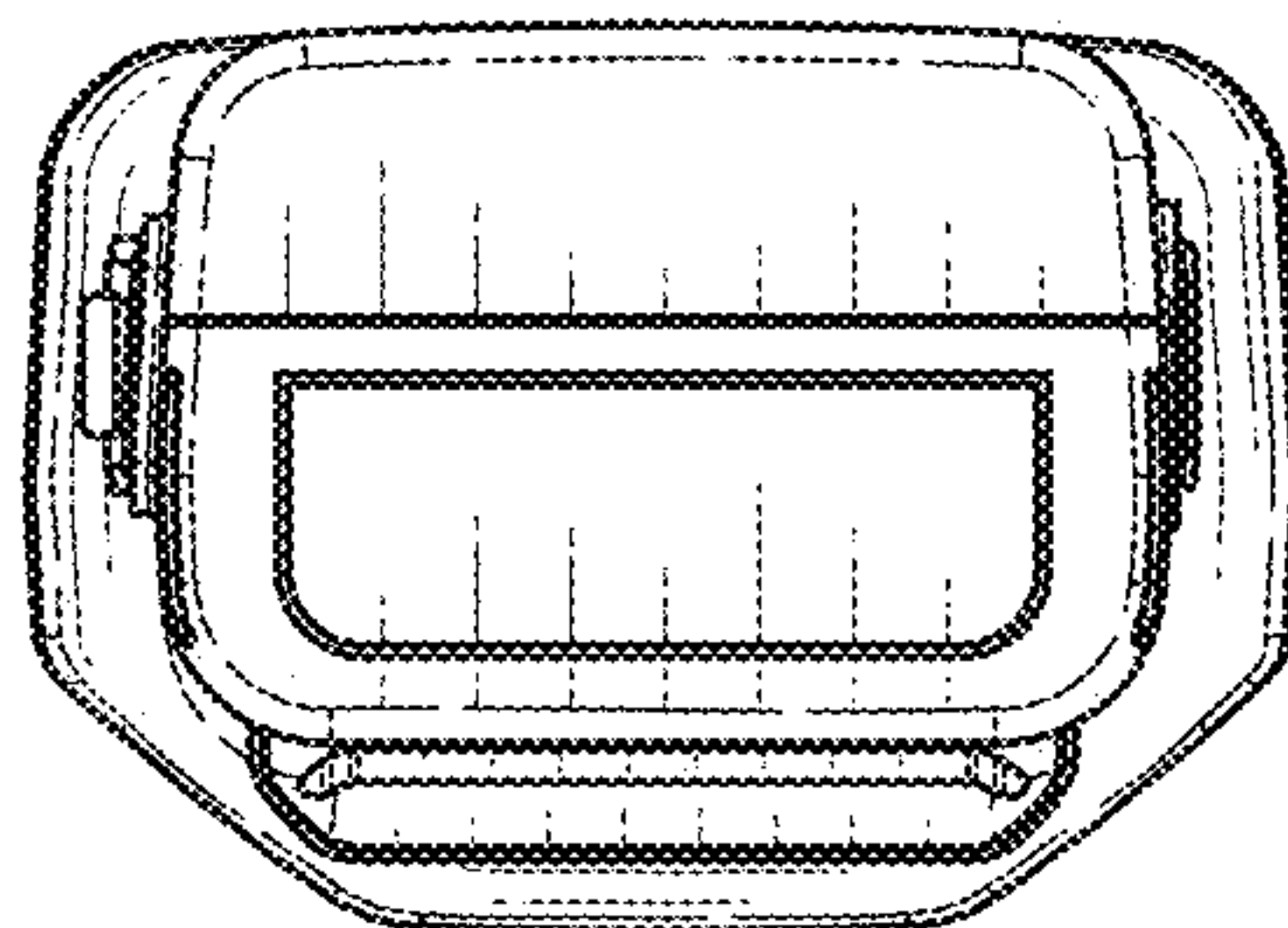


FIG. 32