



US00D974312S

(12) **United States Design Patent** (10) **Patent No.:** **US D974,312 S**
Lee et al. (45) **Date of Patent:** **** Jan. 3, 2023**

(54) **TELEVISION RECEIVER**
(71) Applicant: **LG ELECTRONICS INC.**, Seoul (KR)
(72) Inventors: **Nari Lee**, Seoul (KR); **Woosuk Park**, Seoul (KR); **Sangik Lee**, Seoul (KR)
(73) Assignee: **LG ELECTRONICS INC.**, Seoul (KR)

D589,476 S * 3/2009 Li D14/126
D591,518 S * 5/2009 Zhai D14/371
D597,974 S * 8/2009 Iseki D14/126
D600,456 S * 9/2009 Son D14/371
D609,018 S * 2/2010 Tzeng D14/371
D613,510 S * 4/2010 Tzeng D14/371

(Continued)

Primary Examiner — L. A. Grabenstetter
(74) *Attorney, Agent, or Firm* — Birch, Stewart, Kolasch & Birch, LLP

(**) Term: **15 Years**
(21) Appl. No.: **35/512,550**

(57) **CLAIM**
The ornamental design for a television receiver, as shown and described.

(22) Filed: **Mar. 16, 2021**

DESCRIPTION

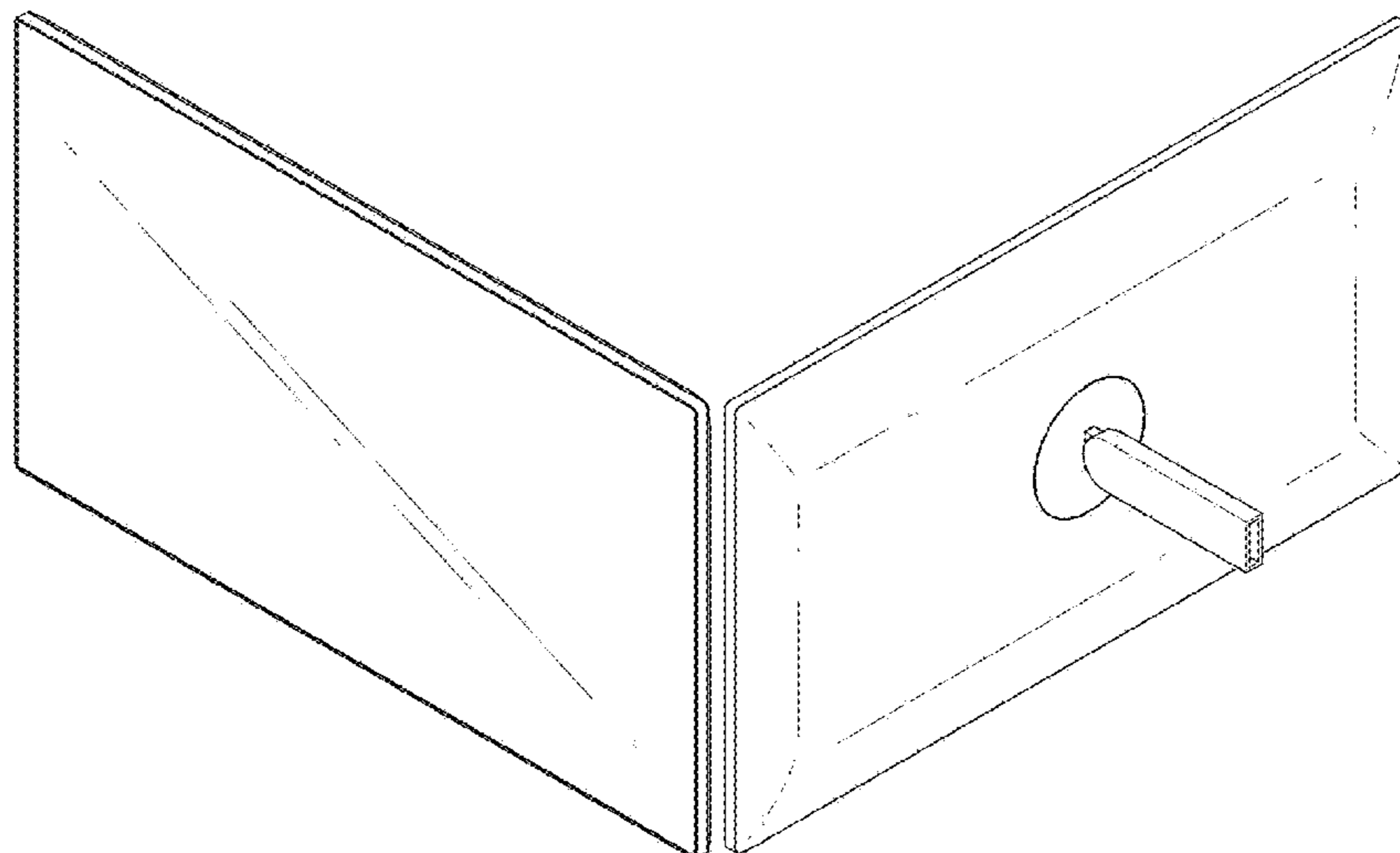
(80) **Hague Agreement Data**
Int. Filing Date: **Mar. 16, 2021**
Int. Reg. No.: **DM/213441**
Int. Reg. Date: **Mar. 16, 2021**
Int. Reg. Pub. Date: **Sep. 17, 2021**

1. Television receiver
1.1 : Front perspective view
1.2 : Rear perspective view
1.3 : Front view
1.4 : Rear view
1.5 : Left view
1.6 : Right view
1.7 : Top view
1.8 : Bottom view
1.9 : Front perspective view, shown installed on a stand
1.10 : Rear perspective view, shown with stand and cable components
1.11 : Front view, shown with a rotated display panel
1.12 : Right view, shown in a state of use, with the display panel in an alternate position
1.13 : Top view, shown in a state of use, with the display panel in an alternate position
1.14 : Rear perspective view, in a landscape orientation, shown with an extension to the integral stand portion
1.15 : Rear perspective view, in a portrait orientation, shown with an extension to the integral stand portion
The broken lines in reproductions 1.9-1.15 depict environmental matter such as stands and connecting cables which are included for the purpose of demonstrating conditions of use and form no part of the claimed design.

(30) **Foreign Application Priority Data**
Sep. 23, 2020 (KR) 30-2020-0045945
(51) **LOC (14) Cl.** **14-03**
(52) **U.S. Cl.**
USPC **D14/126**
(58) **Field of Classification Search**
USPC D14/125-129, 132, 300, 308, 310, 316, D14/336, 357, 371, 375-380, 451, 452
CPC G06F 1/1601; G06F 1/1605; G06F 1/162
See application file for complete search history.

(56) **References Cited**
U.S. PATENT DOCUMENTS
D521,956 S * 5/2006 Backs D14/126
D530,291 S * 10/2006 Hoehn D14/126
D531,603 S * 11/2006 Padain D14/126
D572,023 S * 7/2008 Park D14/371
D579,428 S * 10/2008 Lee D14/126

1 Claim, 15 Drawing Sheets



(56)

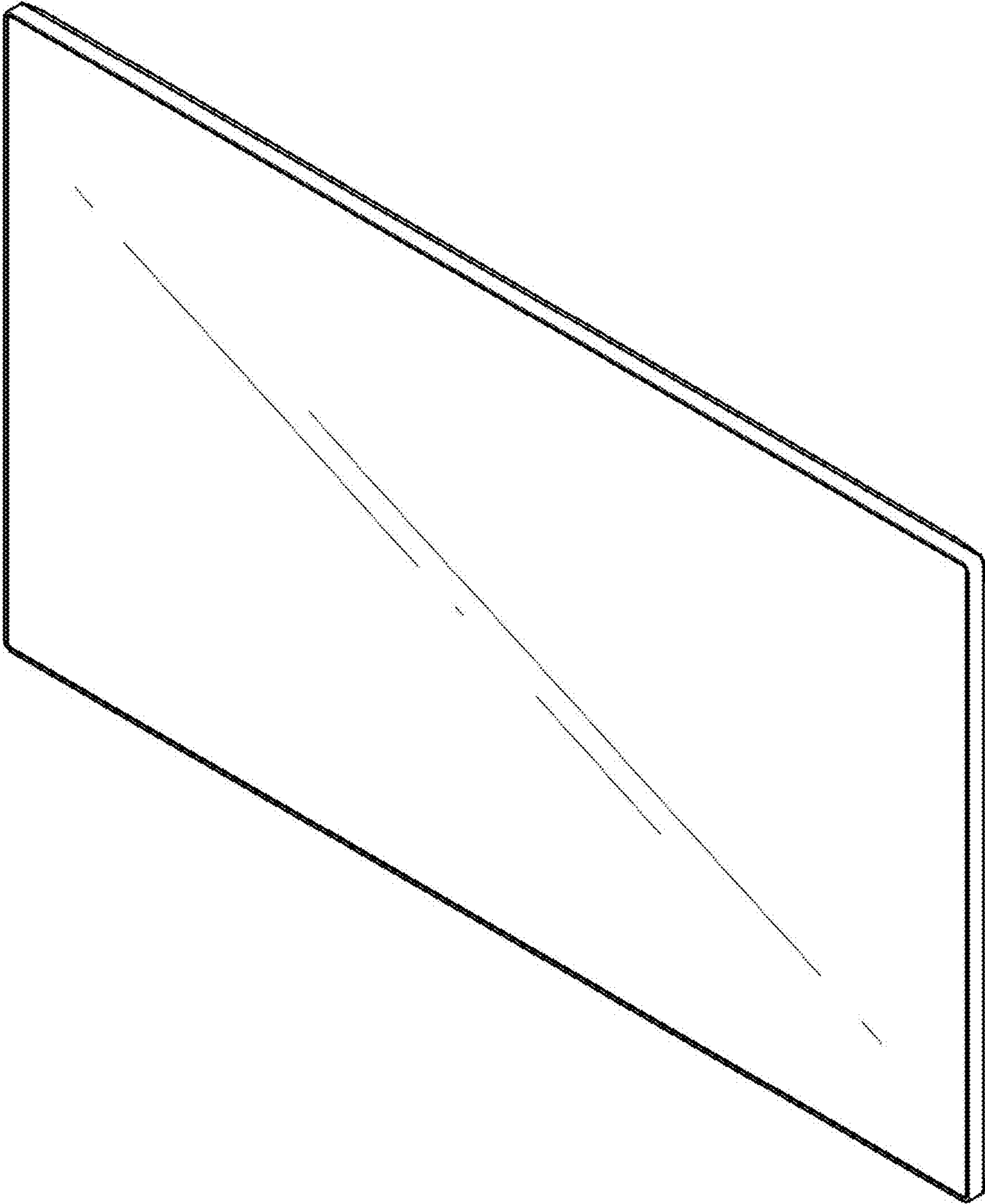
References Cited

U.S. PATENT DOCUMENTS

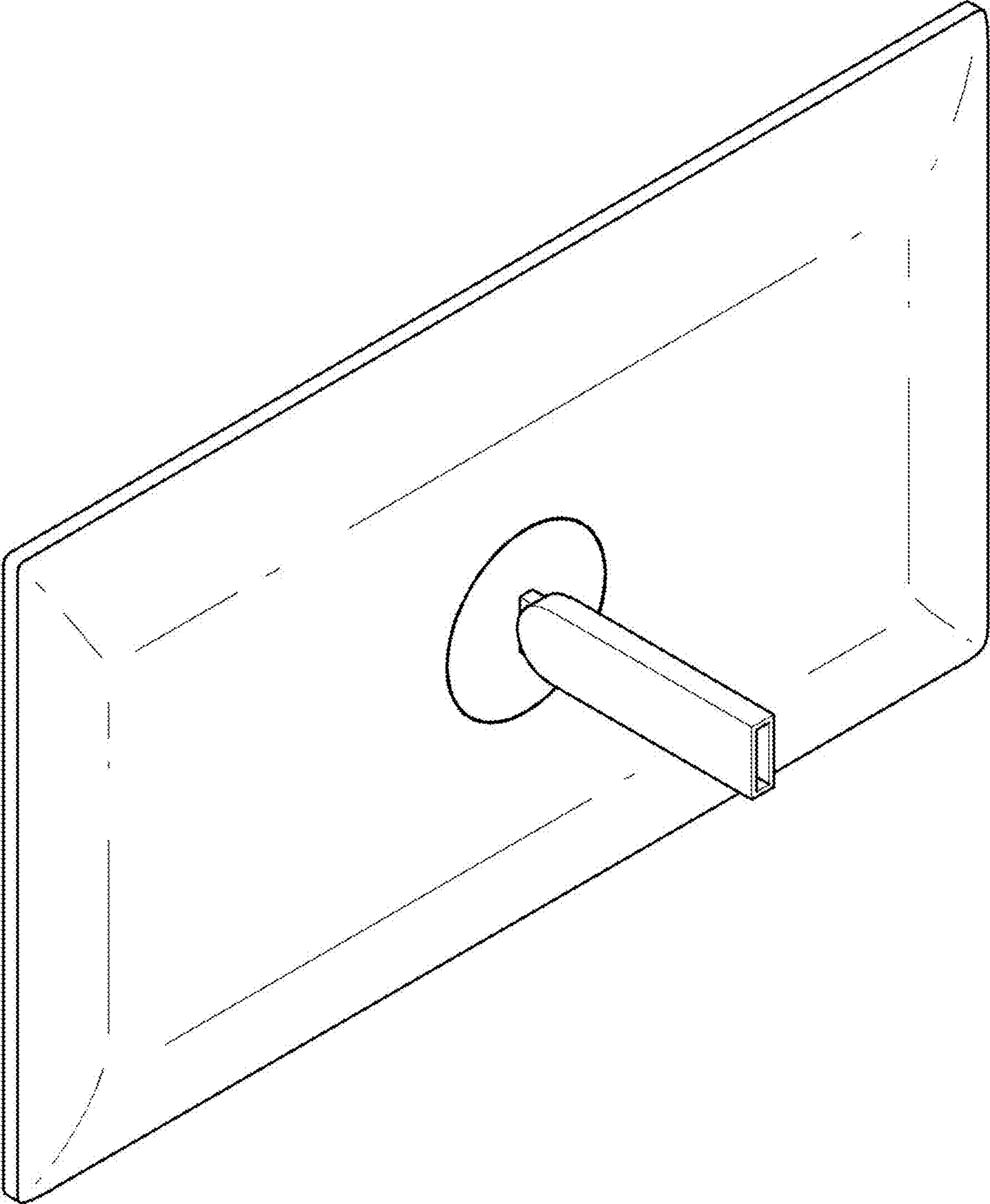
D615,306 S *	5/2010	Ji	D14/371
D620,007 S *	7/2010	Jeon	D14/371
D625,929 S *	10/2010	Mitchell	D14/371
D635,943 S *	4/2011	Kim	D14/134
D638,813 S *	5/2011	Liu	D14/126
D645,432 S *	9/2011	McManigal	D14/126
D675,584 S *	2/2013	Sharp	D14/129
D692,901 S *	11/2013	Chung	D14/451
D746,786 S *	1/2016	Choi	D14/126
D753,128 S *	4/2016	Anderson	D14/452
D778,857 S *	2/2017	Liu	D14/126
D792,418 S *	7/2017	Stener	D14/451
D819,585 S *	6/2018	Kang	D14/126
D835,082 S *	12/2018	So	D14/126
D848,386 S *	5/2019	Kuwao	D14/126
D922,973 S *	6/2021	Park	D14/126

* cited by examiner

1.1



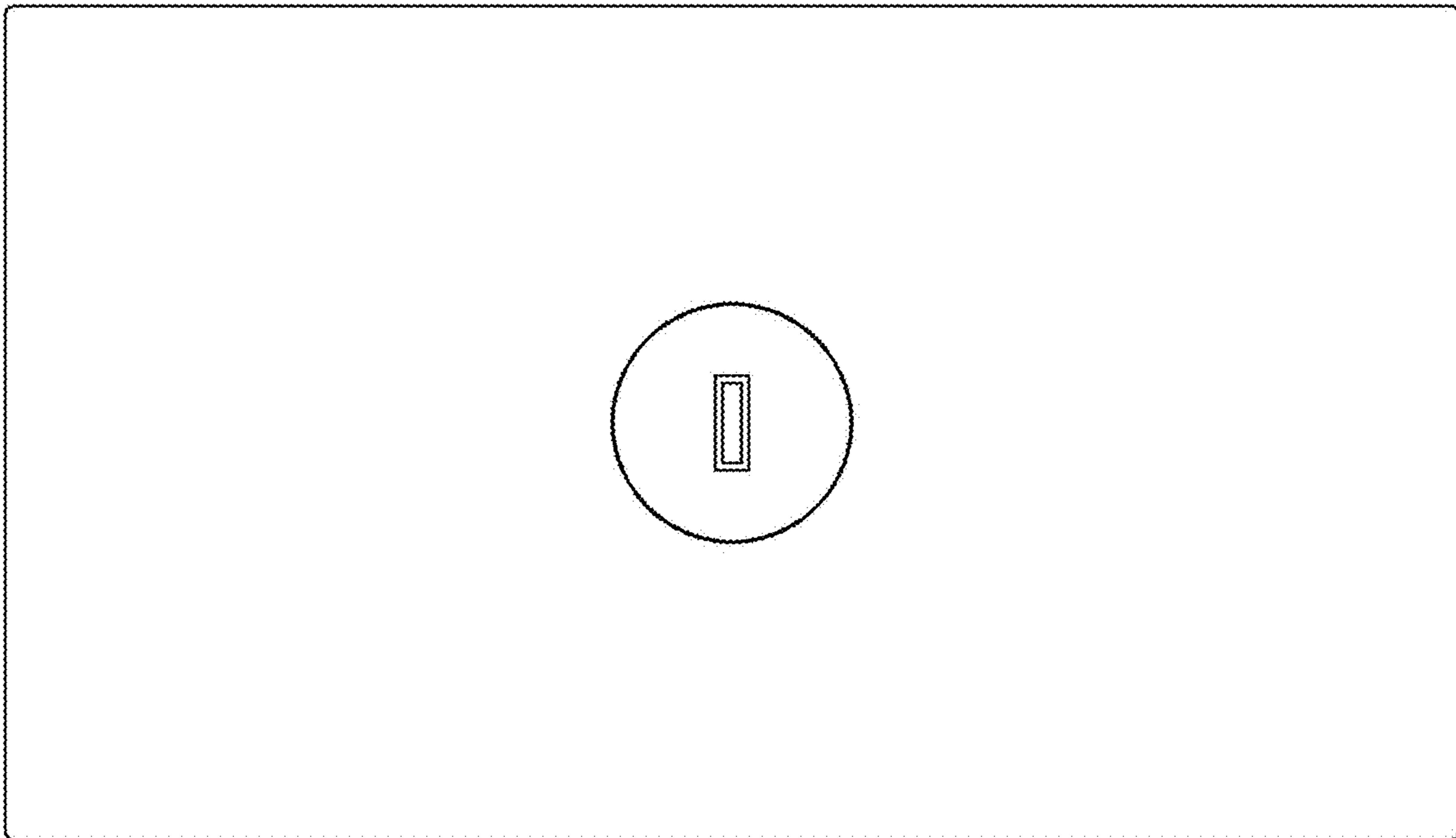
1.2



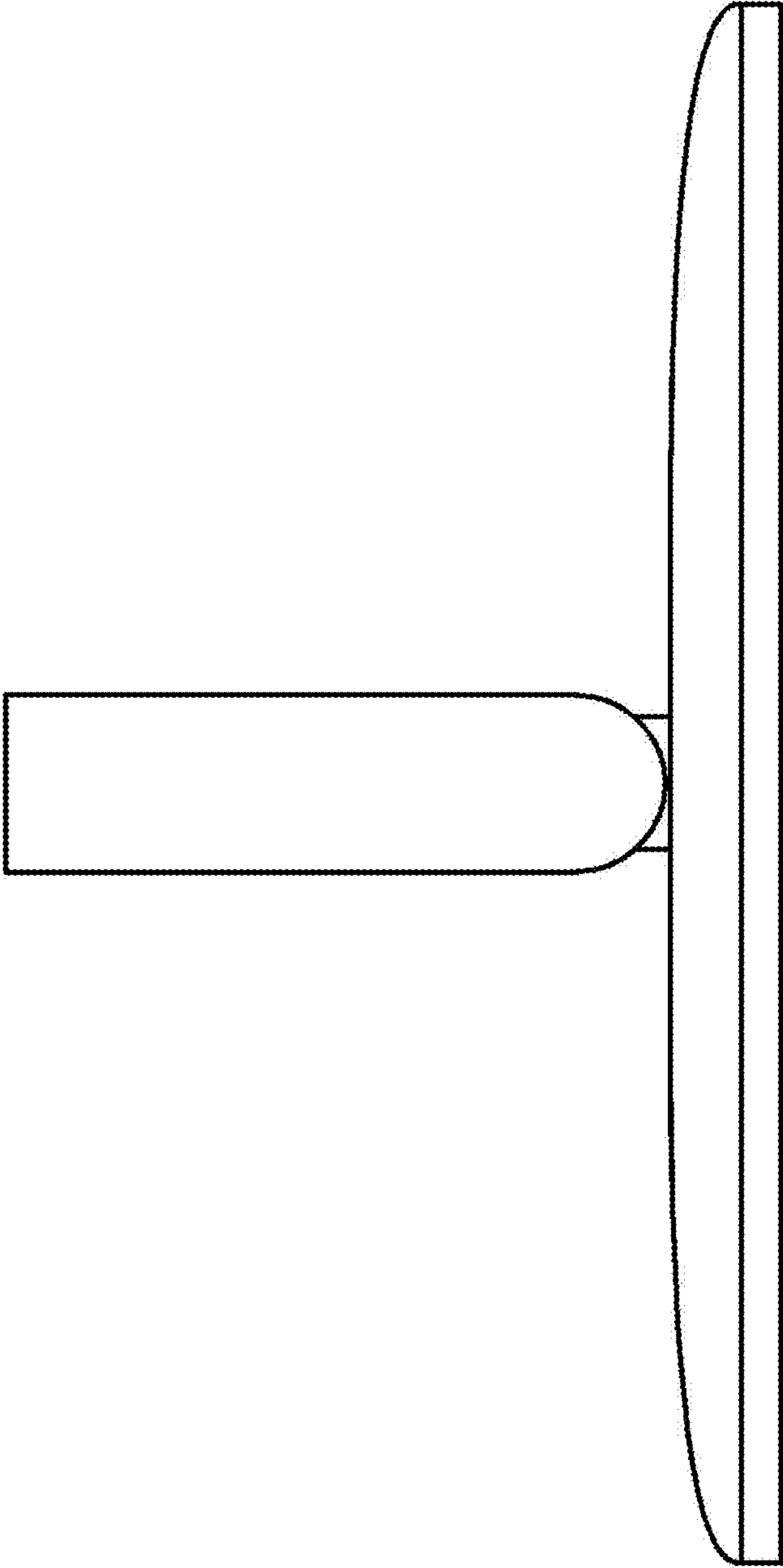
1.3



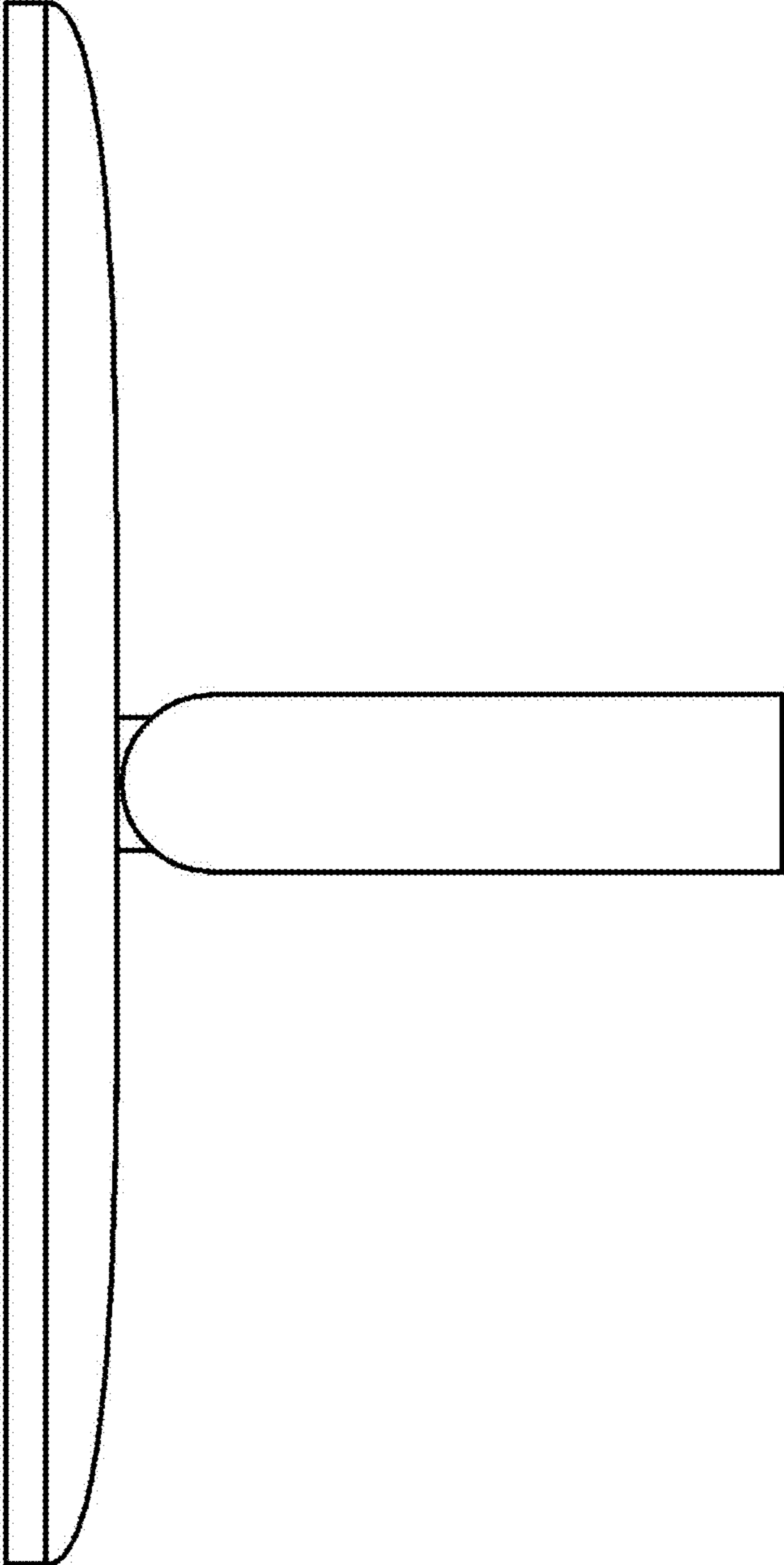
1.4



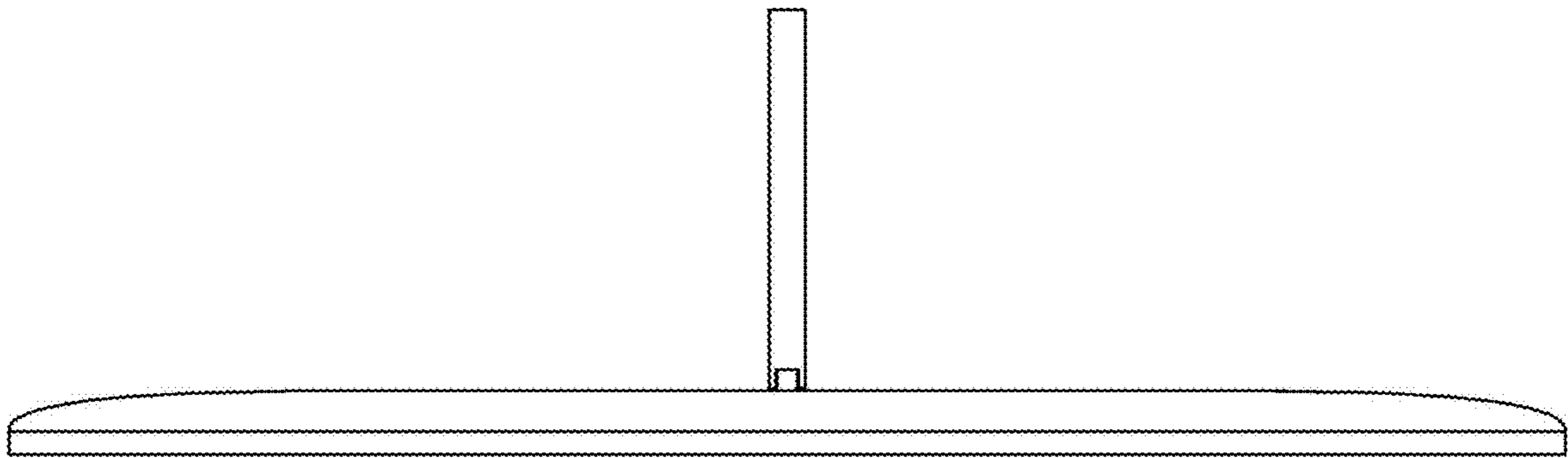
1.5



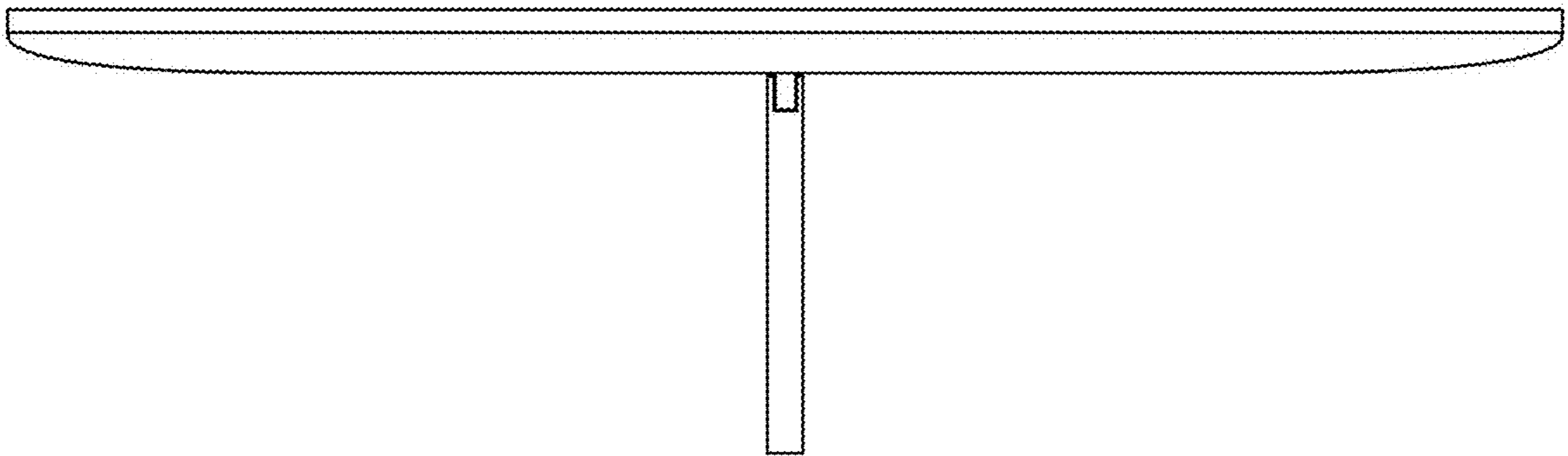
1.6



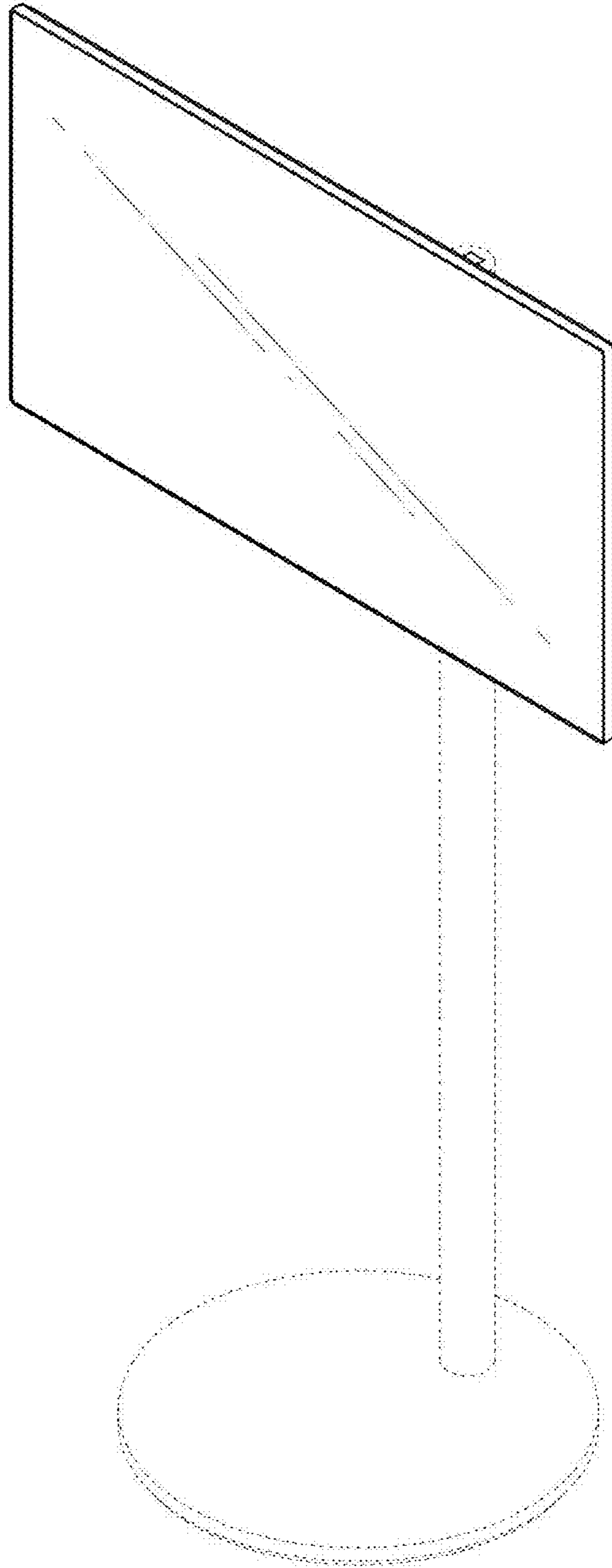
1.7



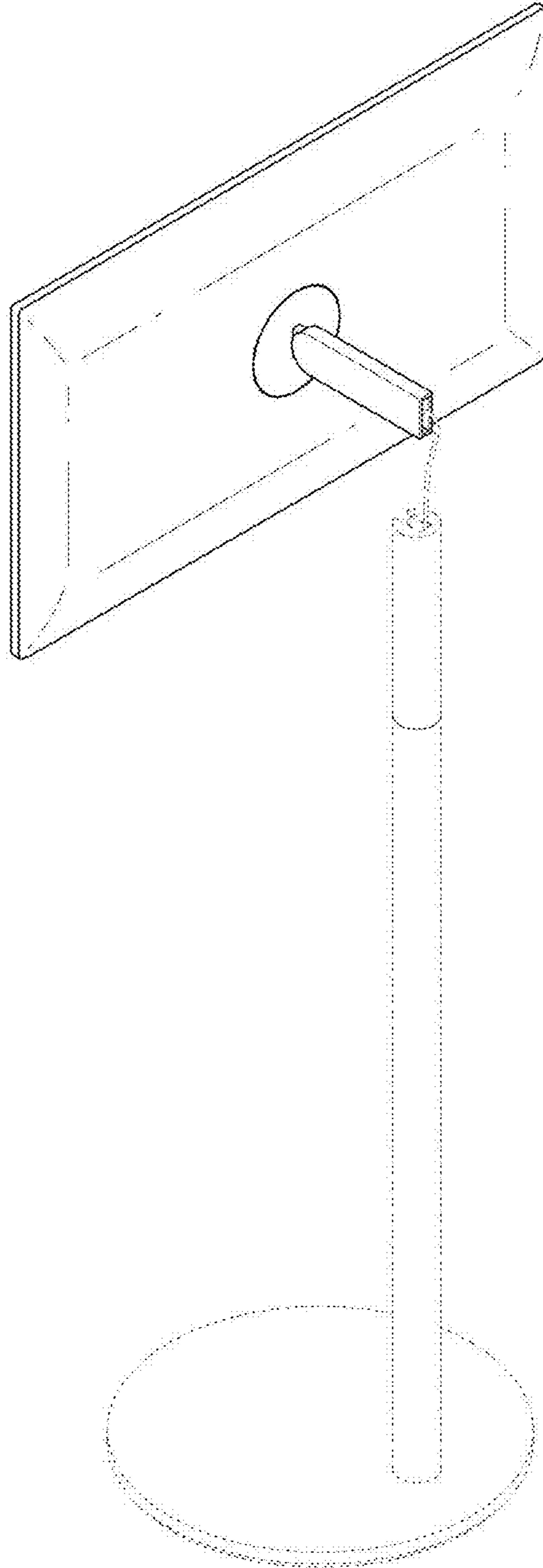
1.8



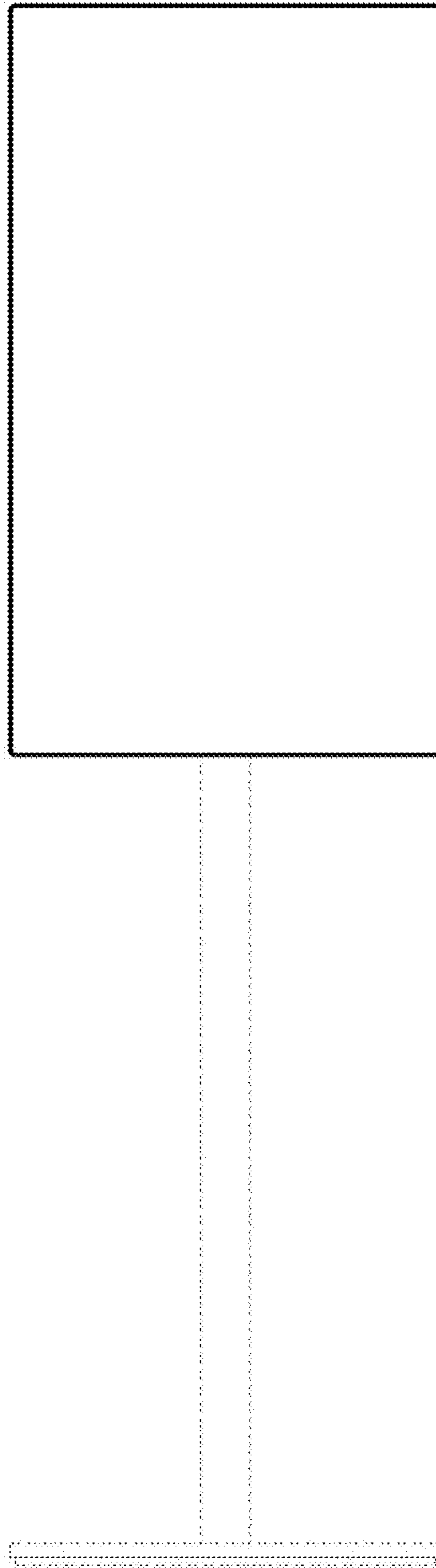
1.9



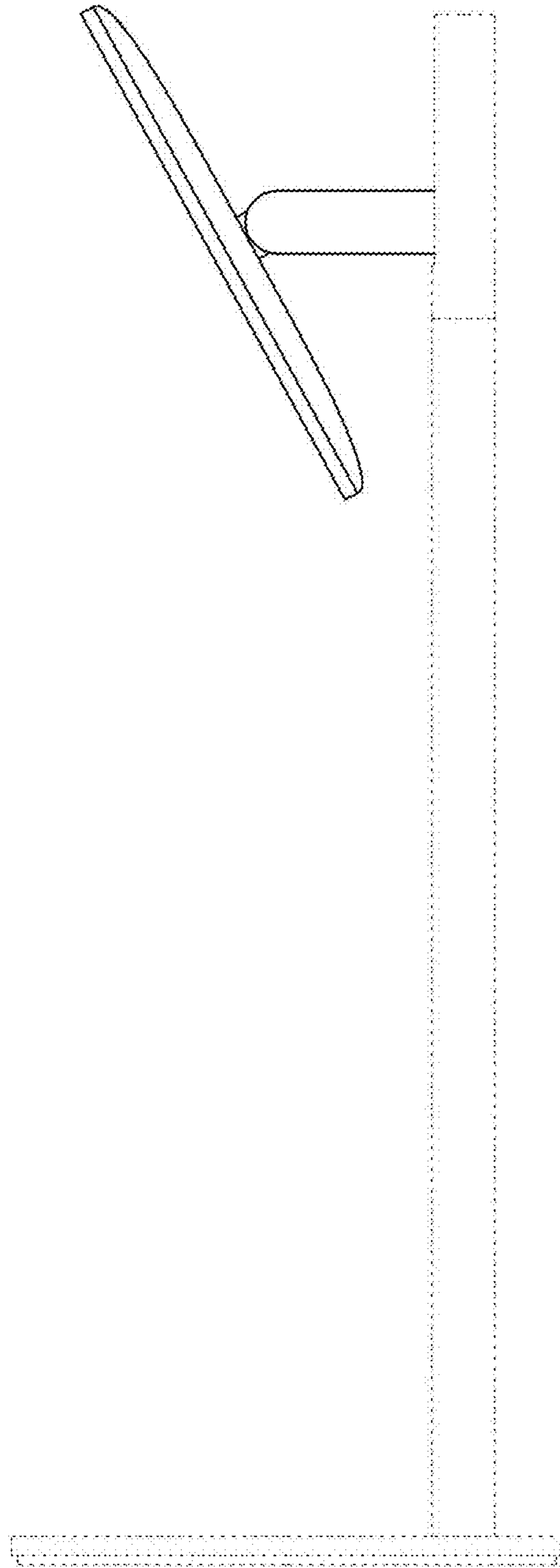
1.10



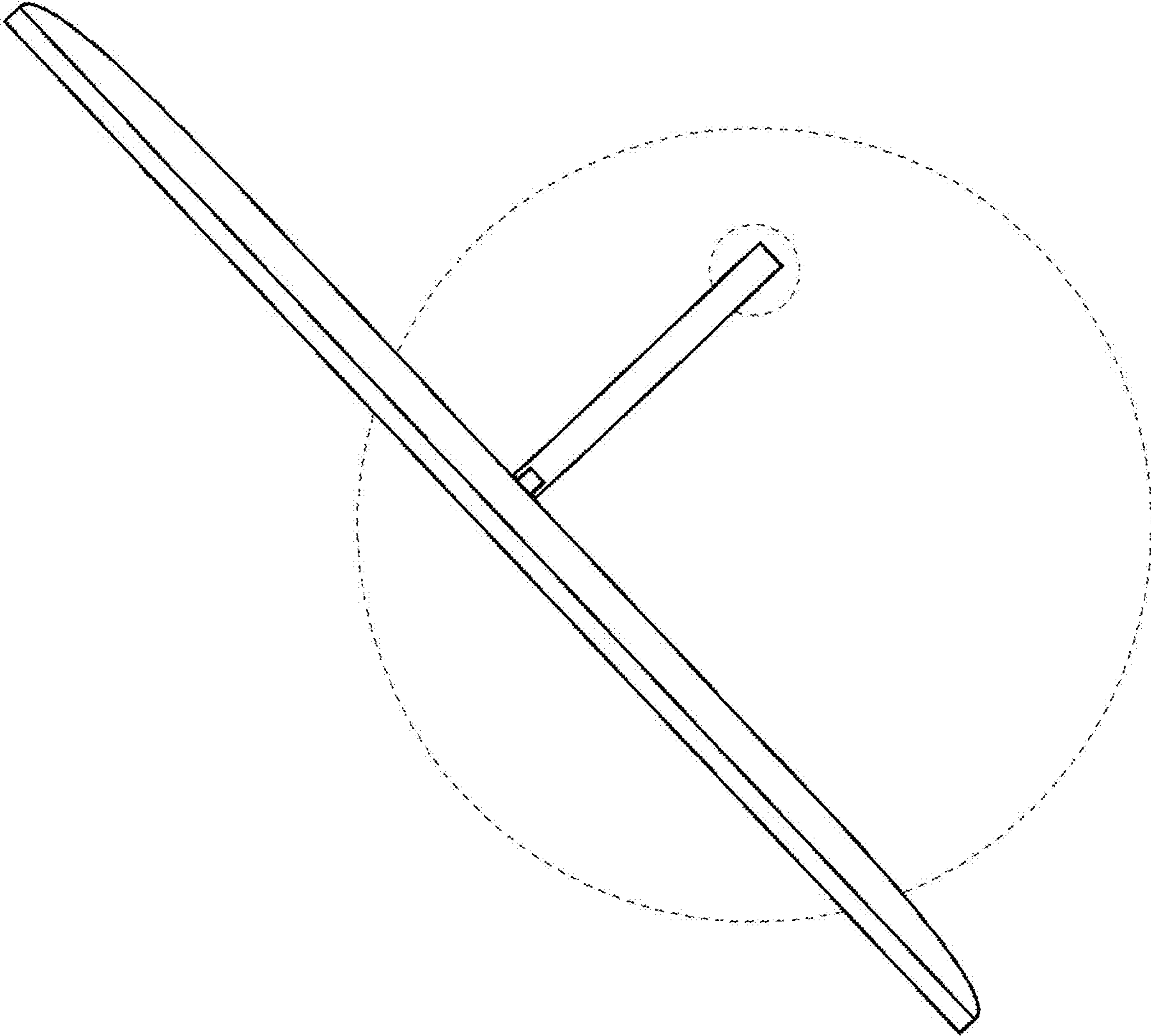
1.11



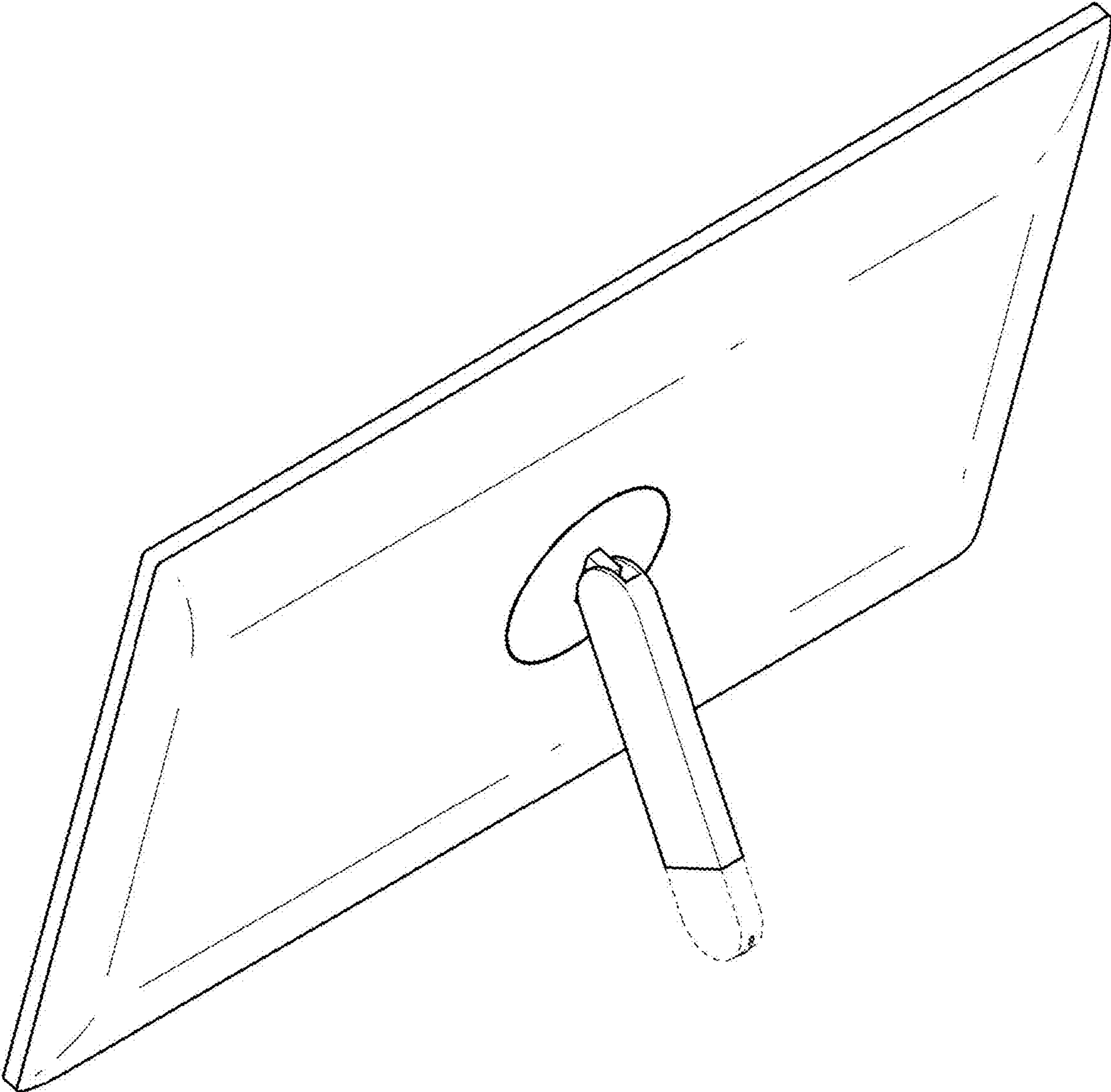
1.12



1.13



1.14



1.15

