



US00D974310S

(12) **United States Design Patent** (10) **Patent No.:** **US D974,310 S**
Bradford (45) **Date of Patent:** **** Jan. 3, 2023**

(54) **OUTLET COVER**
(71) Applicant: **Kito Bradford**, Rockville, MD (US)
(72) Inventor: **Kito Bradford**, Rockville, MD (US)
(**) Term: **15 Years**

D479,201 S * 9/2003 Limber D13/156
D486,453 S * 2/2004 Prior, Jr. D13/156
D533,510 S * 12/2006 Guercio D13/152
D783,542 S * 4/2017 Marsden H01R 13/447
D13/156
D913,970 S * 3/2021 Maggard D13/156
2009/0192927 A1 7/2009 Berg

(21) Appl. No.: **29/808,222**
(22) Filed: **Sep. 17, 2021**

FOREIGN PATENT DOCUMENTS

JP 5380701 B2 12/2009
WO WO1996001542 A1 1/1996
WO WO2008113052 A1 9/2008
WO WO2015131130 A1 9/2015

Related U.S. Application Data

(63) Continuation-in-part of application No. 16/686,161, filed on Nov. 17, 2019.
(60) Provisional application No. 62/768,680, filed on Nov. 16, 2018.
(51) **LOC (14) Cl.** **13-03**
(52) **U.S. Cl.**
USPC **D13/156**
(58) **Field of Classification Search**
USPC D13/151, 154, 155, 156; D8/350, 352, D8/351
See application file for complete search history.

* cited by examiner

Primary Examiner — Jennifer O King

(57) **CLAIM**

The ornamental design for an outlet cover, as shown and described.

DESCRIPTION

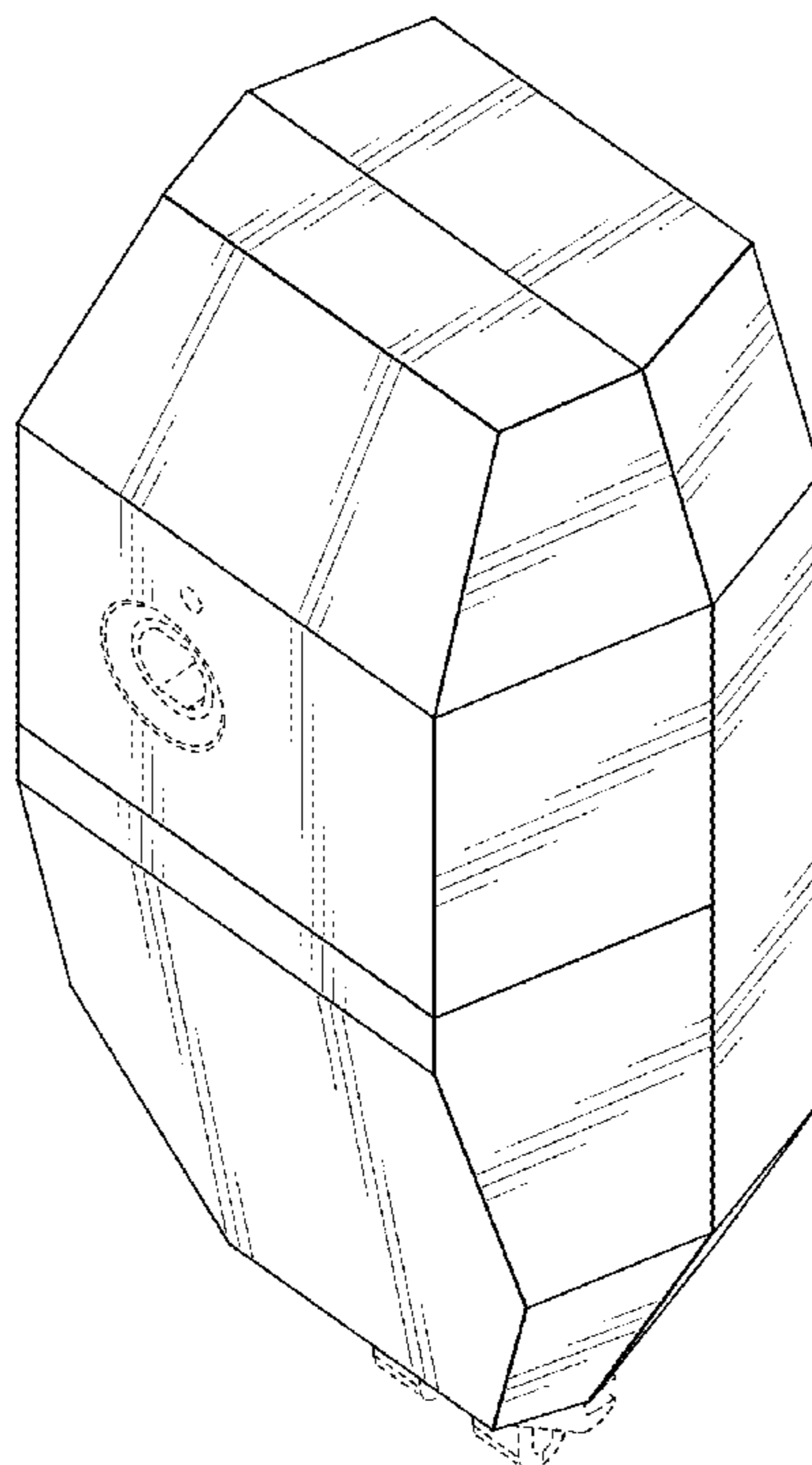
FIG. 1 is a front-top-left perspective view of an outlet cover showing my new design;
FIG. 2 is a rear-bottom-right perspective view thereof;
FIG. 3 is a front elevational view thereof;
FIG. 4 is a rear elevational view thereof;
FIG. 5 is a left elevational view thereof;
FIG. 6 is a right elevational view thereof;
FIG. 7 is a top plan view thereof; and,
FIG. 8 is a bottom plan view thereof.
The broken lines showing ancillary aesthetic features in FIGS. 1 through 8 are included for the purpose of showing environmental structure and form no part of the claimed design.

(56) **References Cited**

U.S. PATENT DOCUMENTS

D231,534 S * 4/1974 Carder D13/155
4,915,639 A 4/1990 Cohn
D354,736 S * 1/1995 Hallett D13/156
5,527,993 A 6/1996 Shotey
5,696,351 A * 12/1997 Benn H01R 13/595
174/92
D432,092 S * 10/2000 Stebleton D13/154
D473,524 S * 4/2003 Koehler D13/156

1 Claim, 8 Drawing Sheets



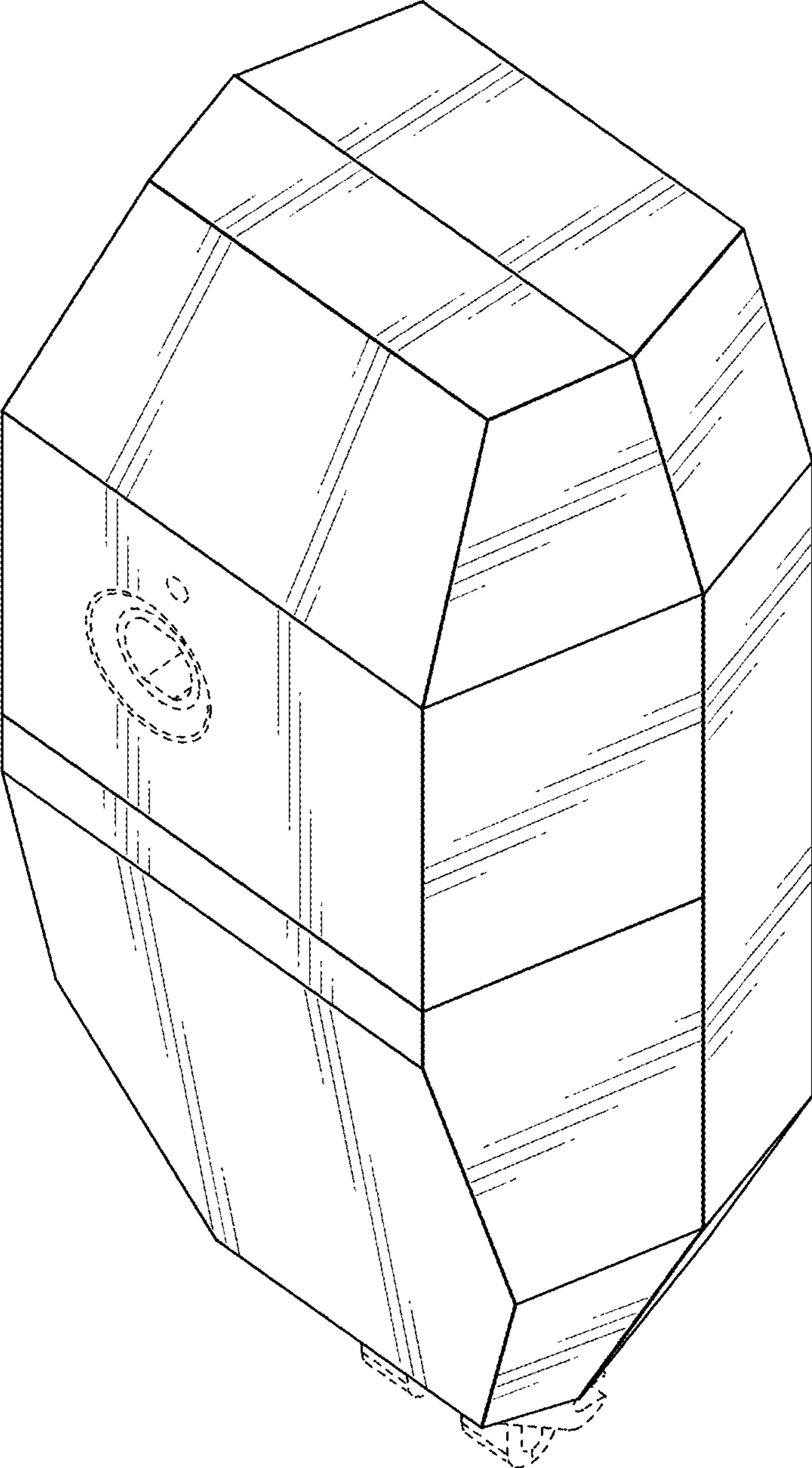


FIG. 1

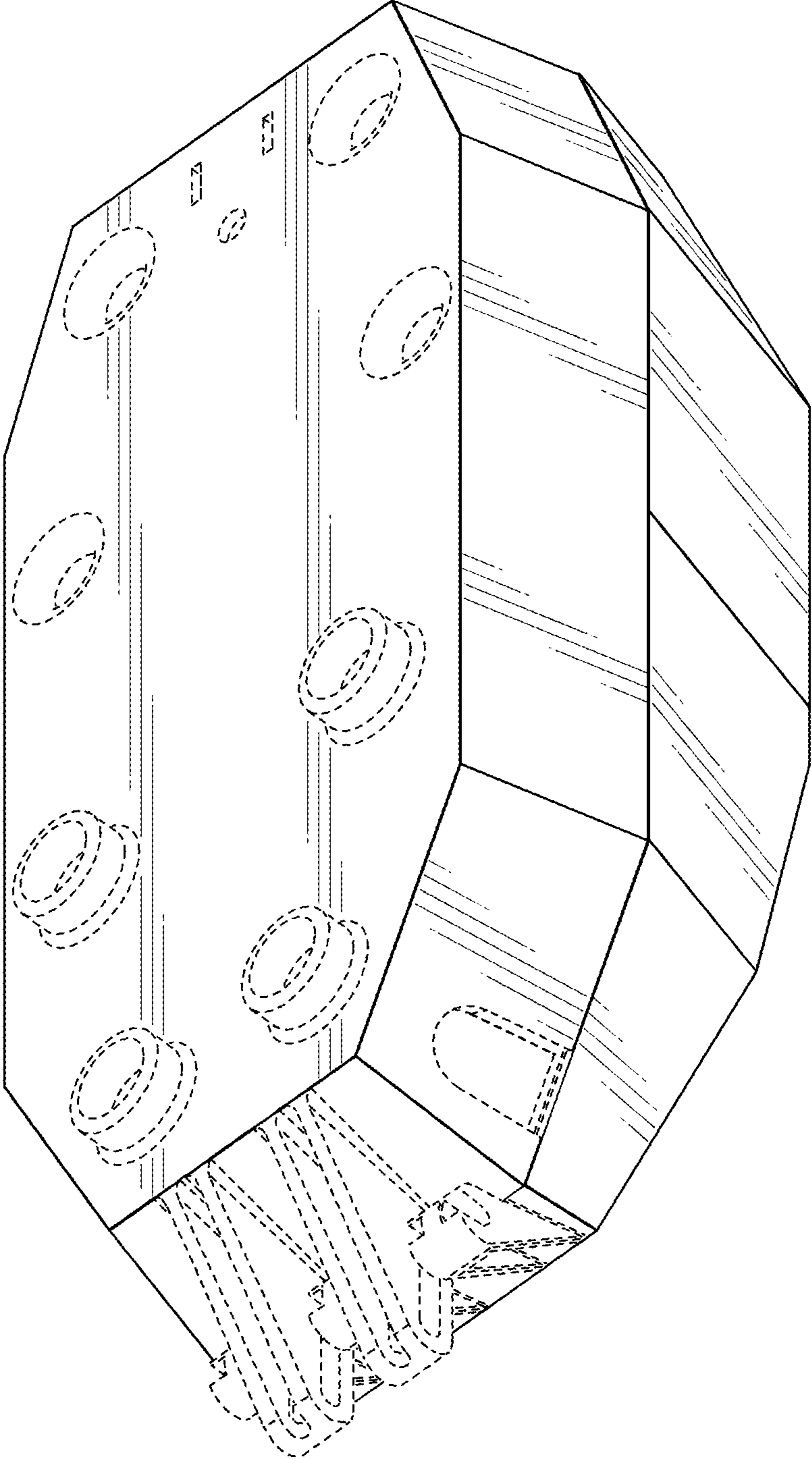


FIG. 2

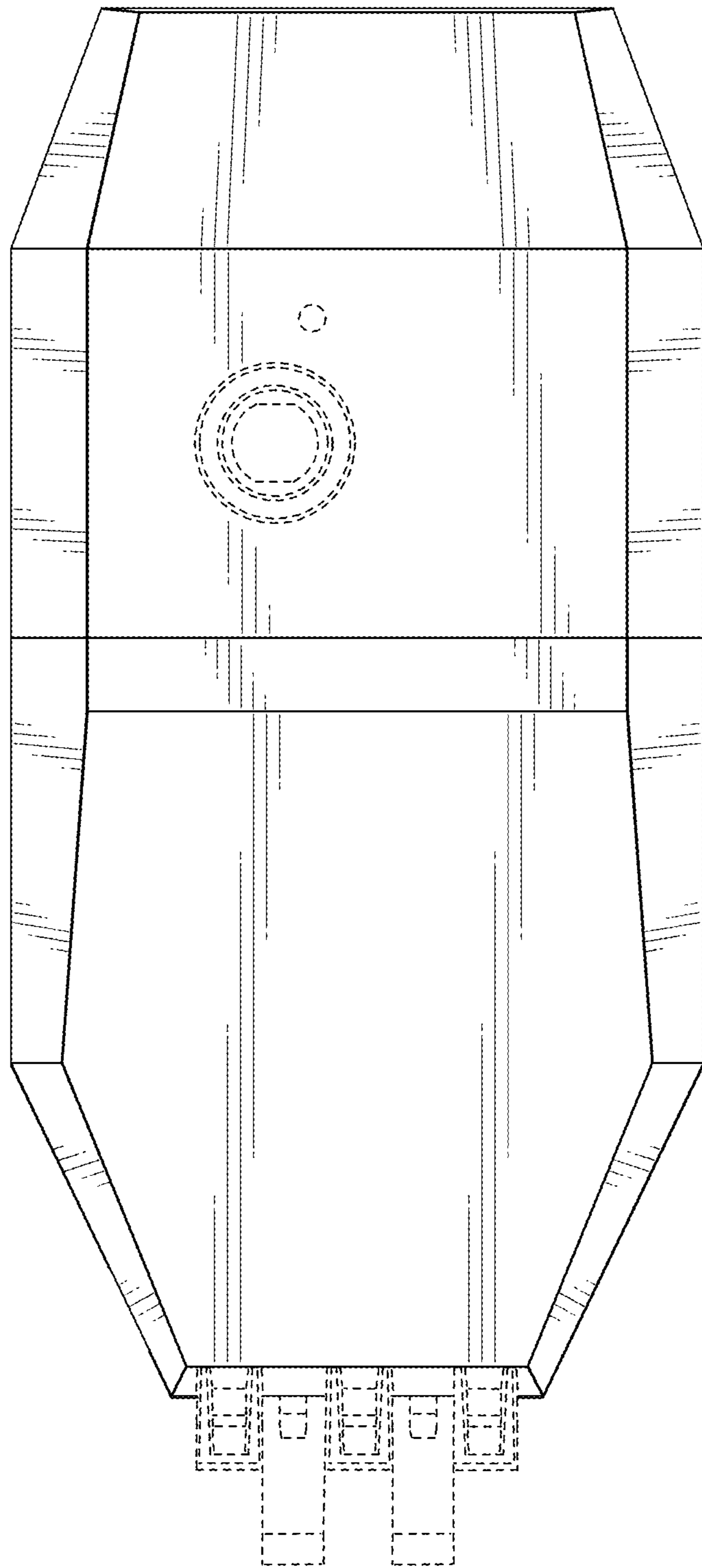


FIG. 3

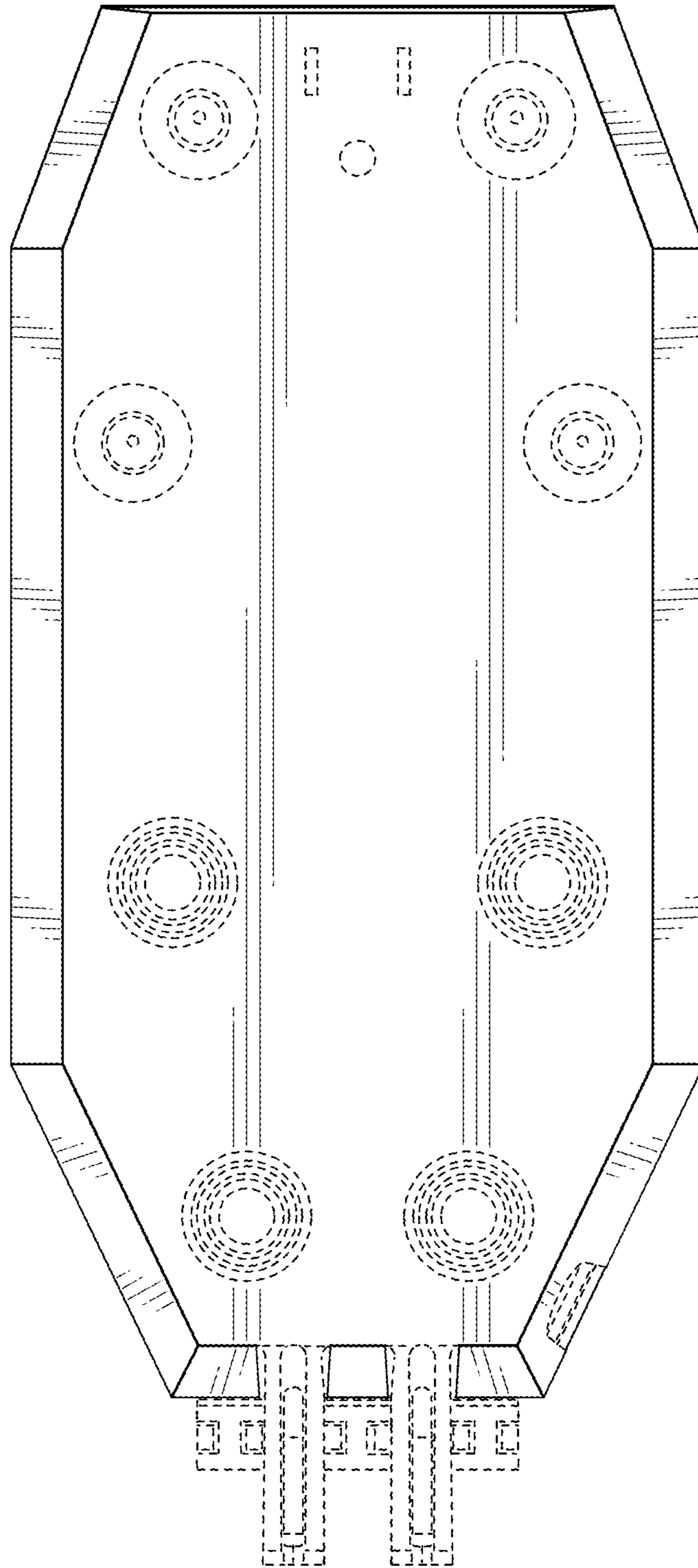


FIG. 4

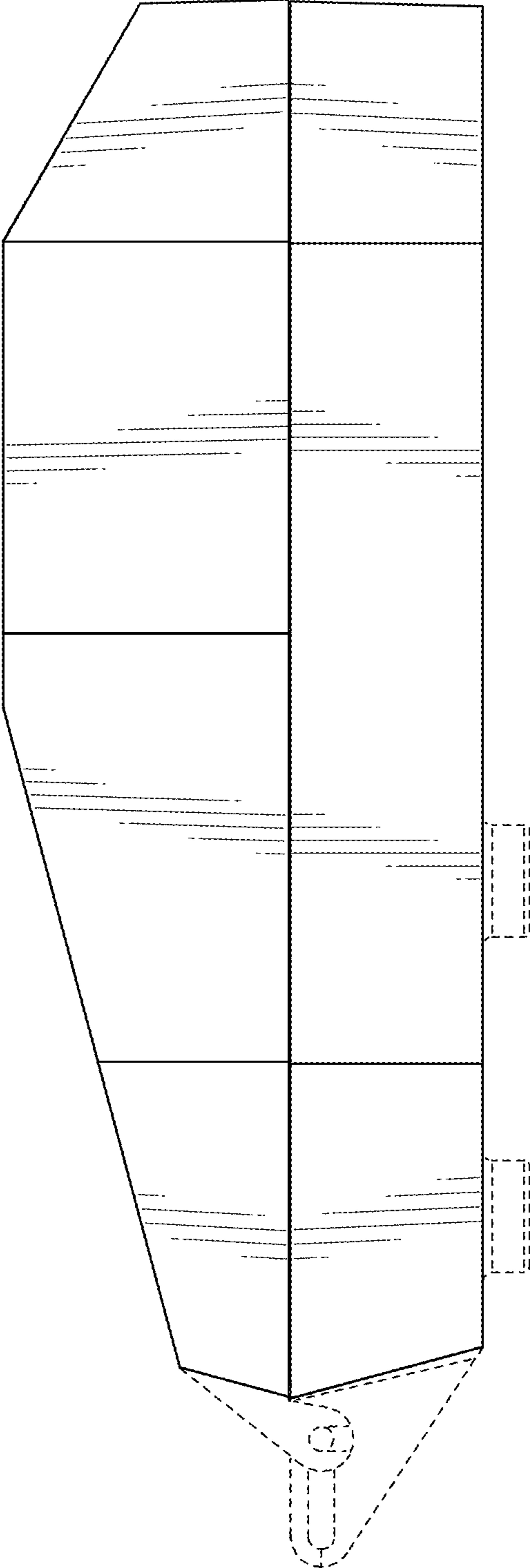


FIG. 5

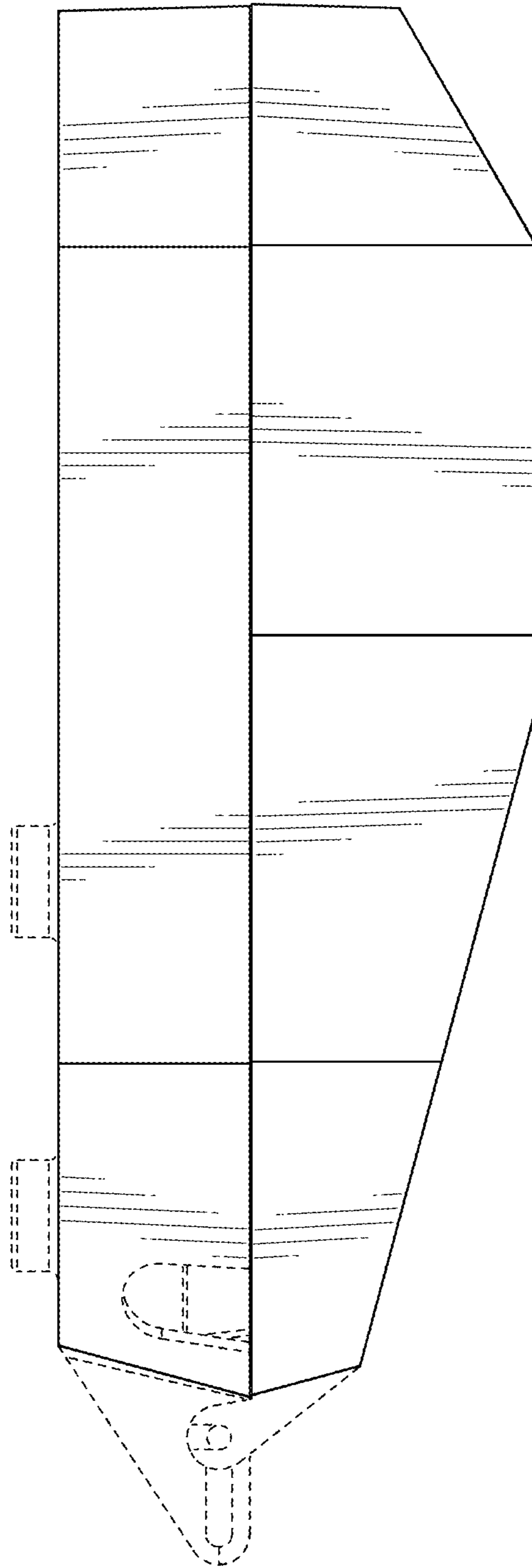


FIG. 6

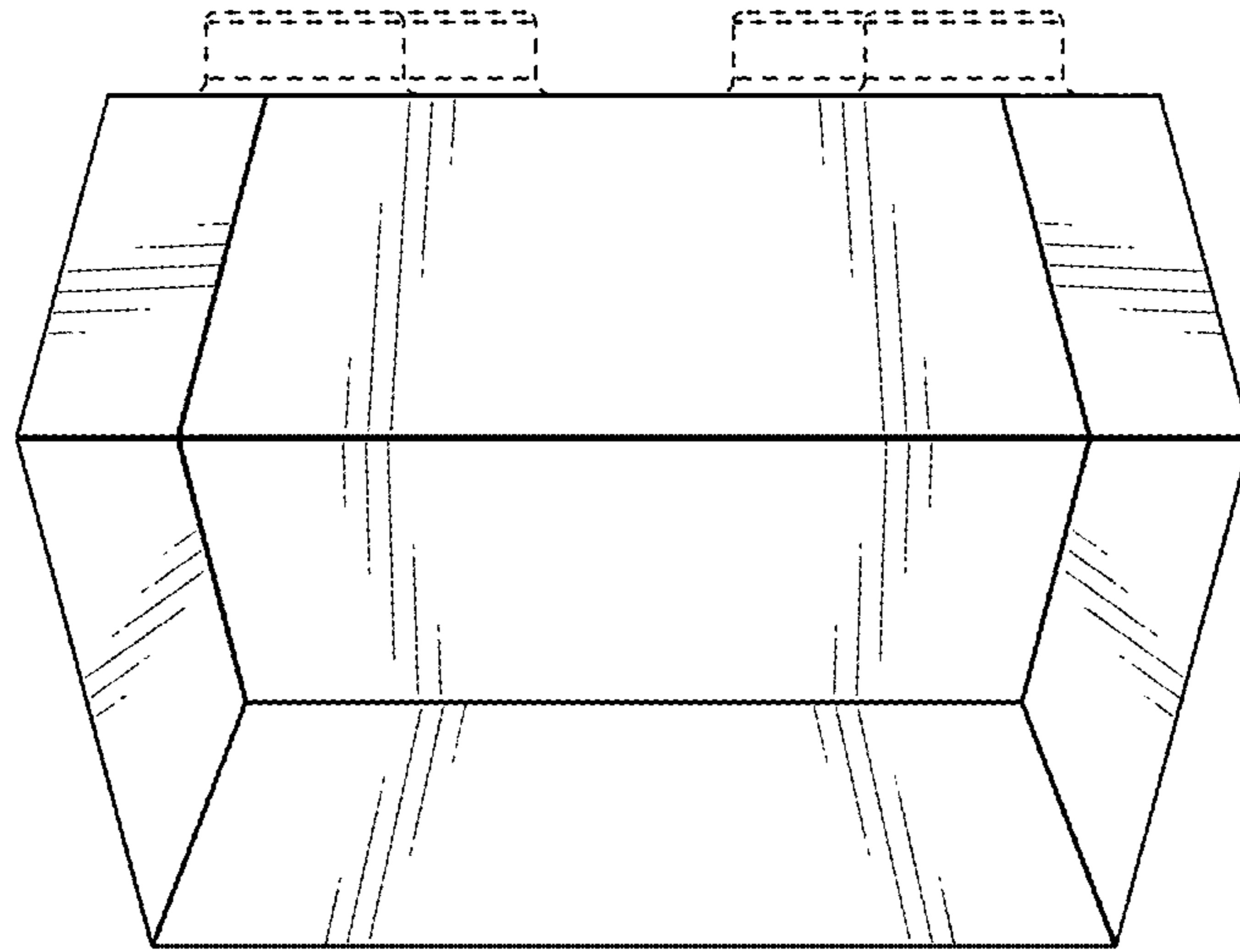


FIG. 7

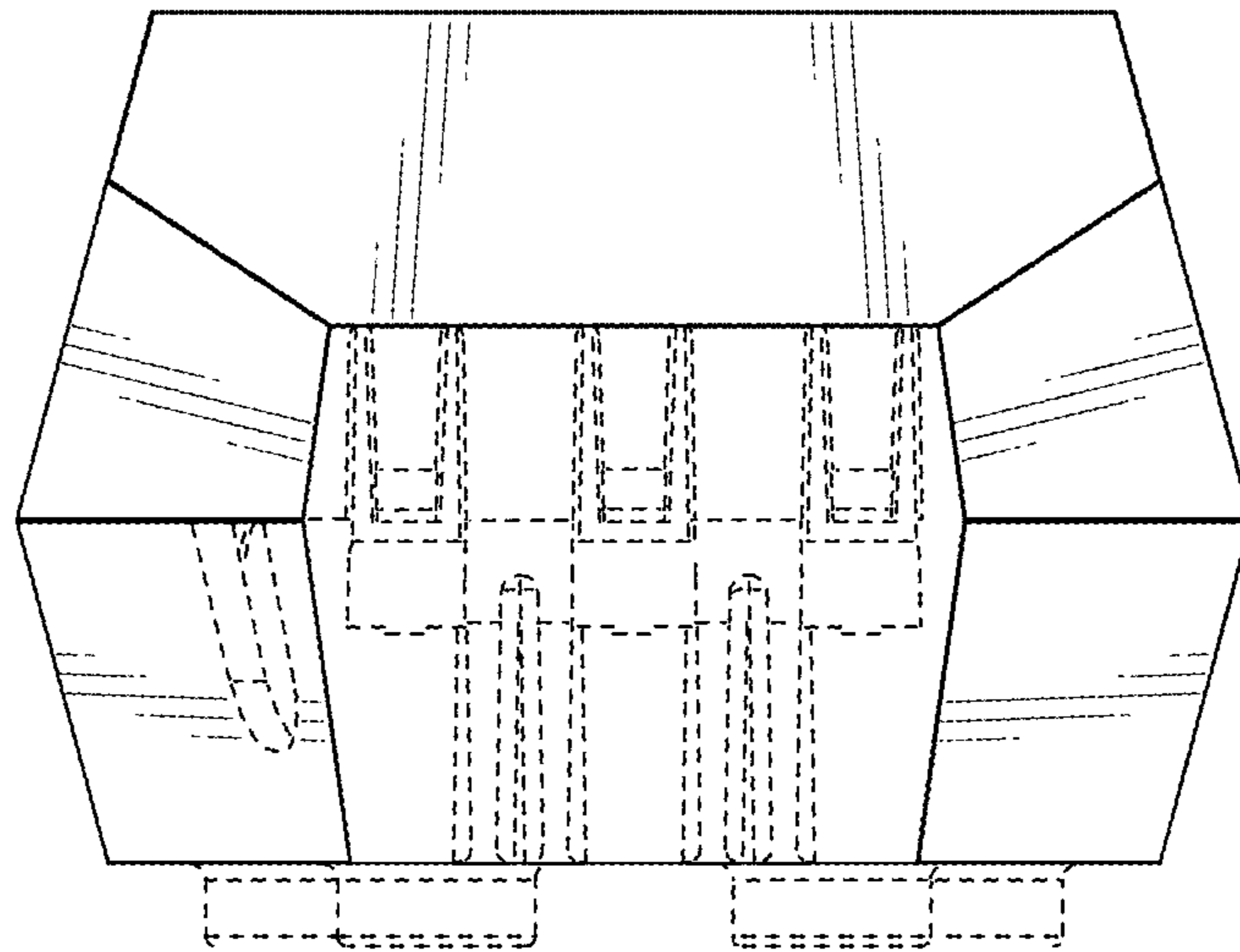


FIG. 8