



US00D974307S

(12) **United States Design Patent** (10) **Patent No.:** **US D974,307 S**
Wade (45) **Date of Patent:** **** Jan. 3, 2023**

(54) **JUNCTION BOX**
(71) Applicant: **STÄUBLI ELECTRICAL CONNECTORS AG**, Allschwil (CH)
(72) Inventor: **Lee Michael Wade**, Windsor, CA (US)
(73) Assignee: **Stäubli Electrical Connectors AG**, Allschwil (CH)
(**) Term: **15 Years**
(21) Appl. No.: **29/784,432**
(22) Filed: **May 19, 2021**

D417,437 S 12/1999 Kim
D448,732 S 10/2001 Kinsey et al.
D461,779 S * 8/2002 Hughes D13/152
D462,059 S * 8/2002 Hughes D13/152
D521,939 S * 5/2006 Mahoney D13/146
D545,765 S * 7/2007 Cockburn D13/152
7,709,735 B2 5/2010 Vigorito et al.
D665,363 S * 8/2012 Lin D13/102
D688,211 S 8/2013 Xue et al.
D698,318 S * 1/2014 Villen Hernandez D13/152
D707,183 S * 6/2014 Villen Hernandez D13/152
D717,735 S 11/2014 Suenaga
D742,326 S 11/2015 Leung
D785,572 S 5/2017 Abraham et al.
D801,198 S * 10/2017 Small D10/46
D817,891 S * 5/2018 Santos D13/152
10,361,546 B2 * 7/2019 Madathil Sankarankutty Nair H02G 3/083

D870,677 S 12/2019 Gupta et al.
D871,346 S 12/2019 Deng

Related U.S. Application Data

(62) Division of application No. 35/508,874, filed on Sep. 23, 2019 (U.S. filing date under 35 U.S.C. 384), and having an international filing date of Sep. 23, 2019, now Pat. No. Des. 942,402.

(51) **LOC (14) Cl.** **13-03**
(52) **U.S. Cl.**
USPC **D13/152**
(58) **Field of Classification Search**
USPC D13/152, 146, 102, 160
CPC H02G 3/083
See application file for complete search history.

References Cited

U.S. PATENT DOCUMENTS

2,701,273 A 2/1955 Badaeau
D182,185 S 2/1958 Hudson et al.
2,930,504 A 3/1960 Hudson
3,676,744 A 7/1972 Pennypacker
3,845,454 A 10/1974 Hayward et al.
3,910,448 A 10/1975 Evans et al.
D331,225 S 11/1992 Mooneyhan
D360,188 S 7/1995 Kiely et al.
D365,326 S 12/1995 Starec et al.
D365,327 S 12/1995 Reed et al.

(Continued)

Primary Examiner — Rhea Shields

(74) *Attorney, Agent, or Firm* — Sughrue Mion, PLLC

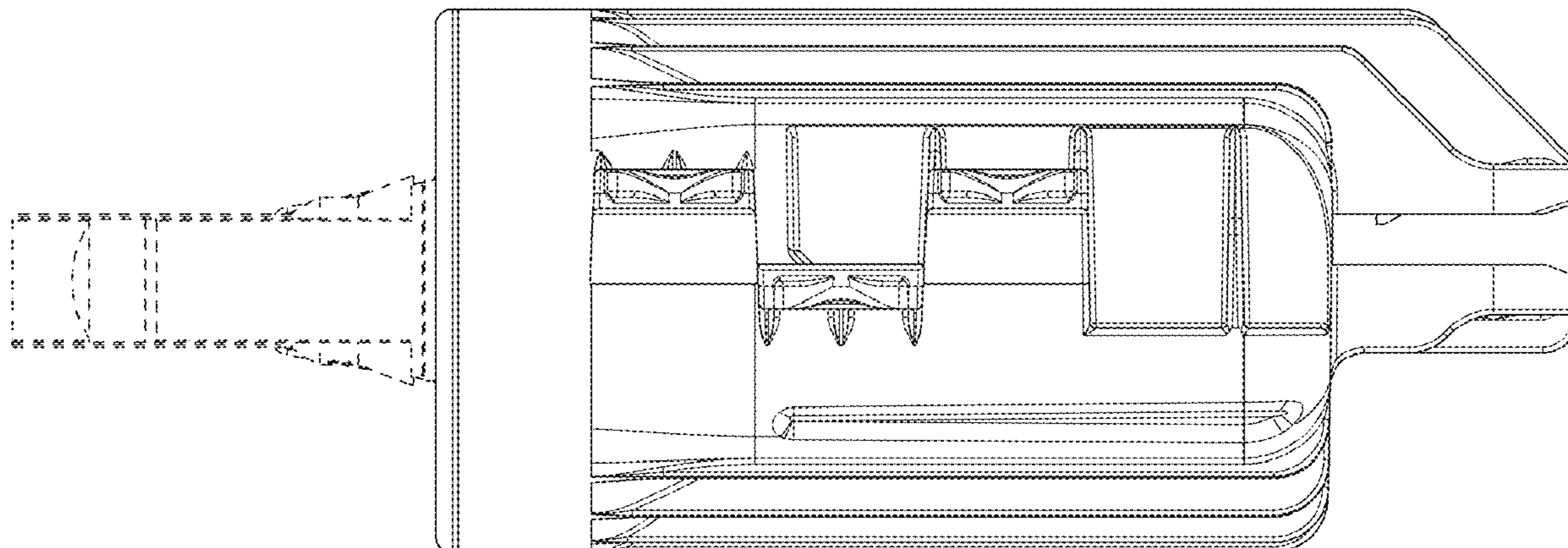
(57) **CLAIM**

The ornamental design for a junction box, as shown and described.

DESCRIPTION

FIG. 1 is a front elevation view of the junction box that we consider to be our invention;
FIG. 2 is a top view thereof;
FIG. 3 is a bottom view thereof;
FIG. 4 is a left side view thereof;
FIG. 5 is a right side view thereof;
FIG. 6 is a rear elevation view thereof; and,
FIG. 7 is a perspective view thereof.
In the drawings, the broken lines are for the purpose of illustrating portions of the Junction Box that forms no part of the claimed design.

1 Claim, 7 Drawing Sheets



(56)

References Cited

U.S. PATENT DOCUMENTS

D871,355 S * 12/2019 Deng D13/160
D892,748 S 8/2020 Nair et al.
D892,760 S 8/2020 Aaron et al.
D893,442 S 8/2020 Zimmerman, III et al.
D900,757 S 11/2020 Wan
D904,984 S 12/2020 Hornby
D908,632 S 1/2021 Cole et al.
D908,656 S 1/2021 Zimmerman, III et al.
D909,962 S 2/2021 Kim et al.
D911,281 S 2/2021 Biggers et al.
D942,402 S * 2/2022 Wade D13/152

* cited by examiner

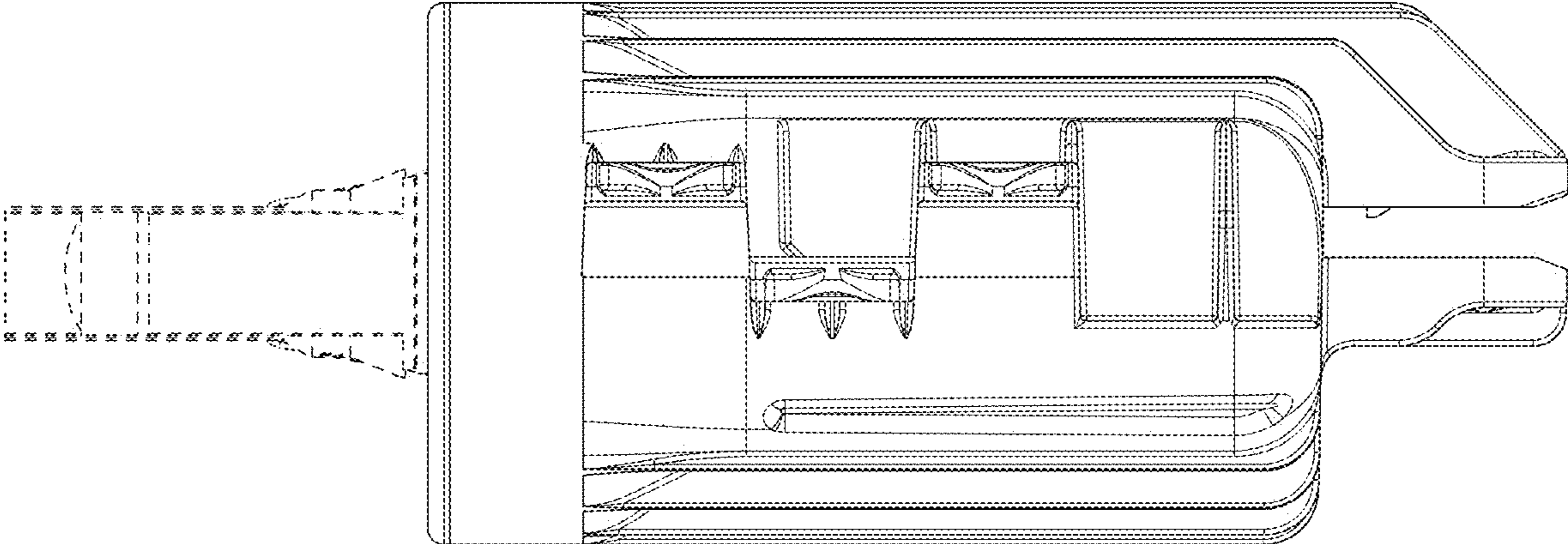


Fig. 1

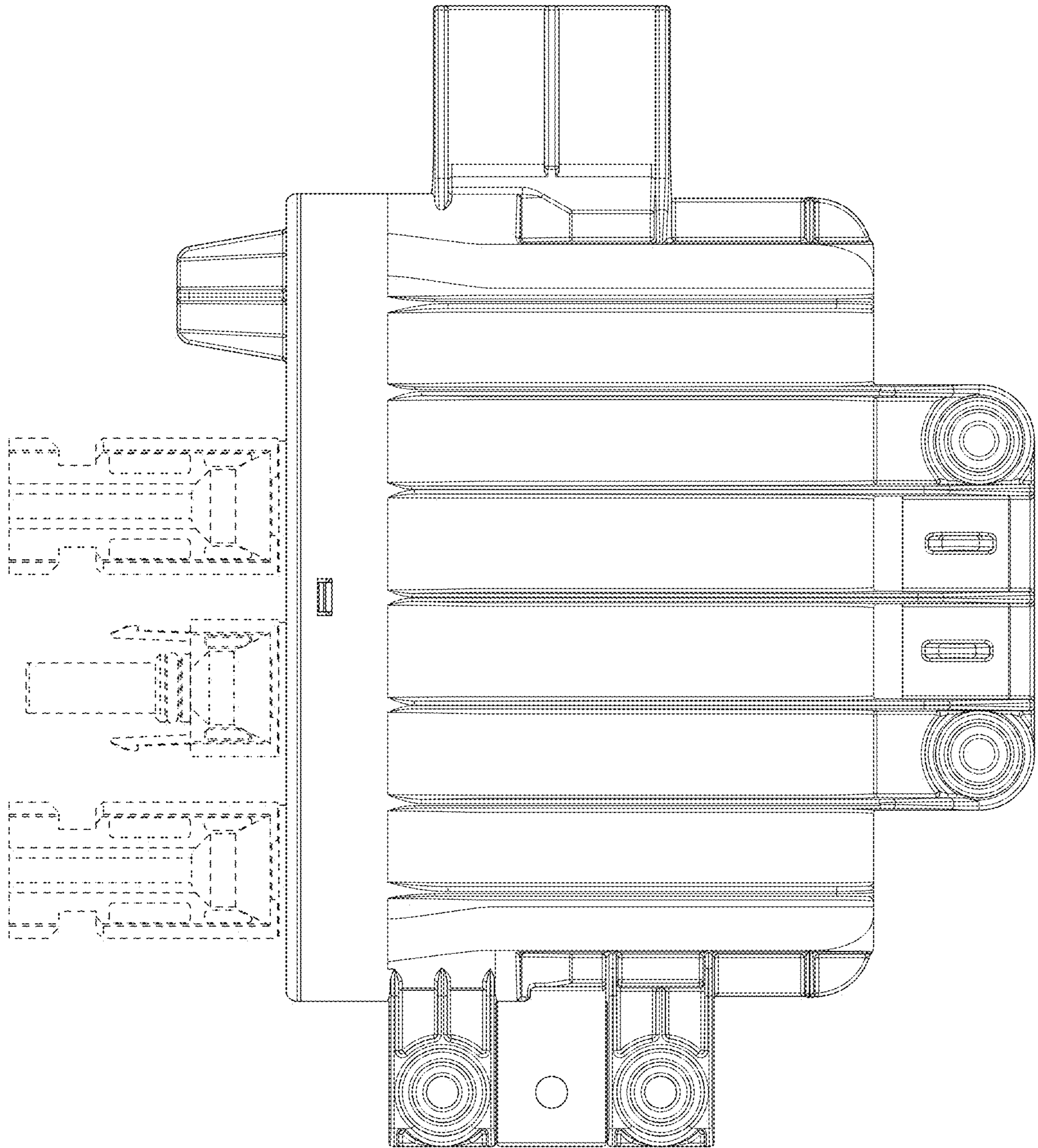


Fig. 2

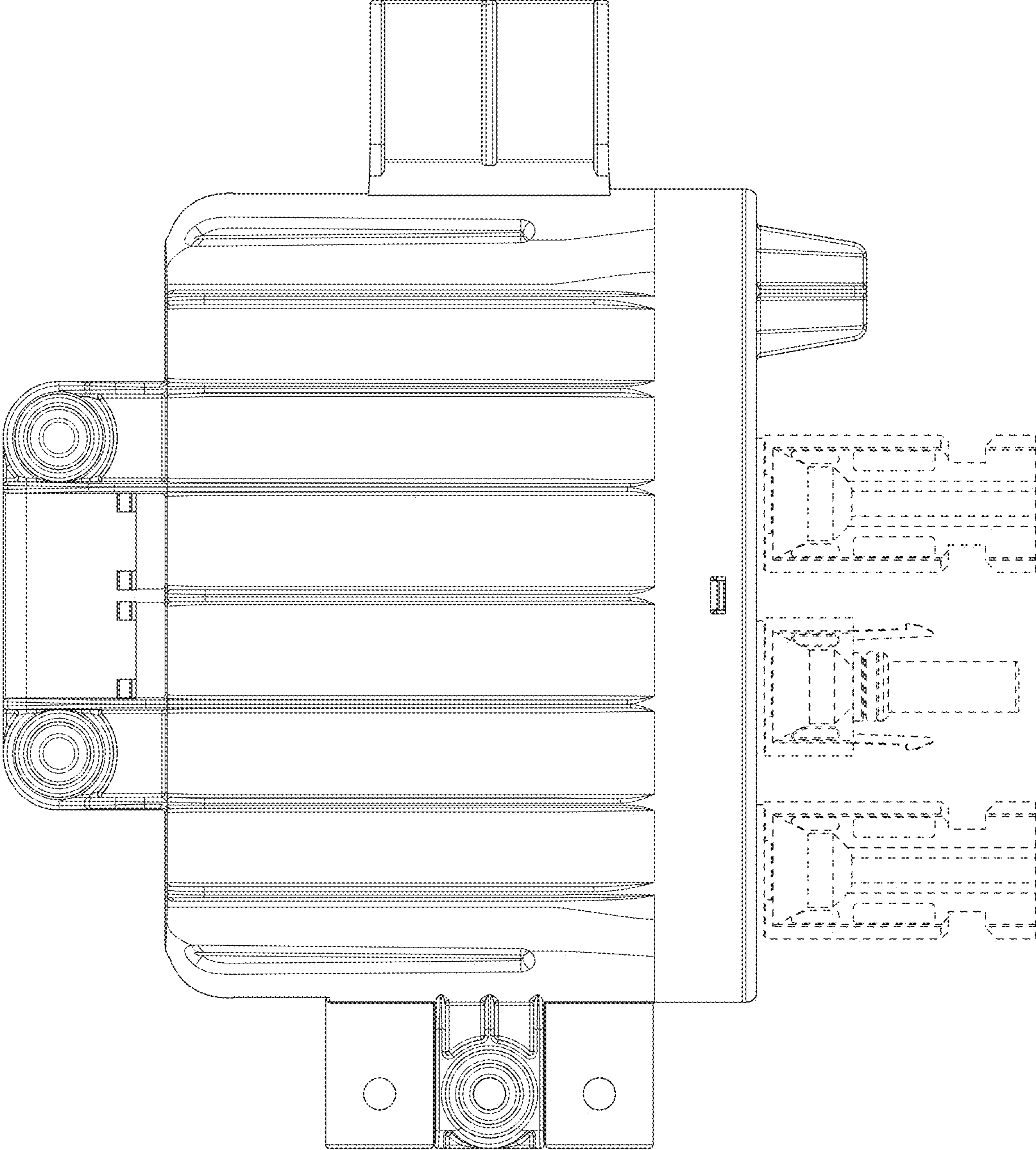


Fig. 3

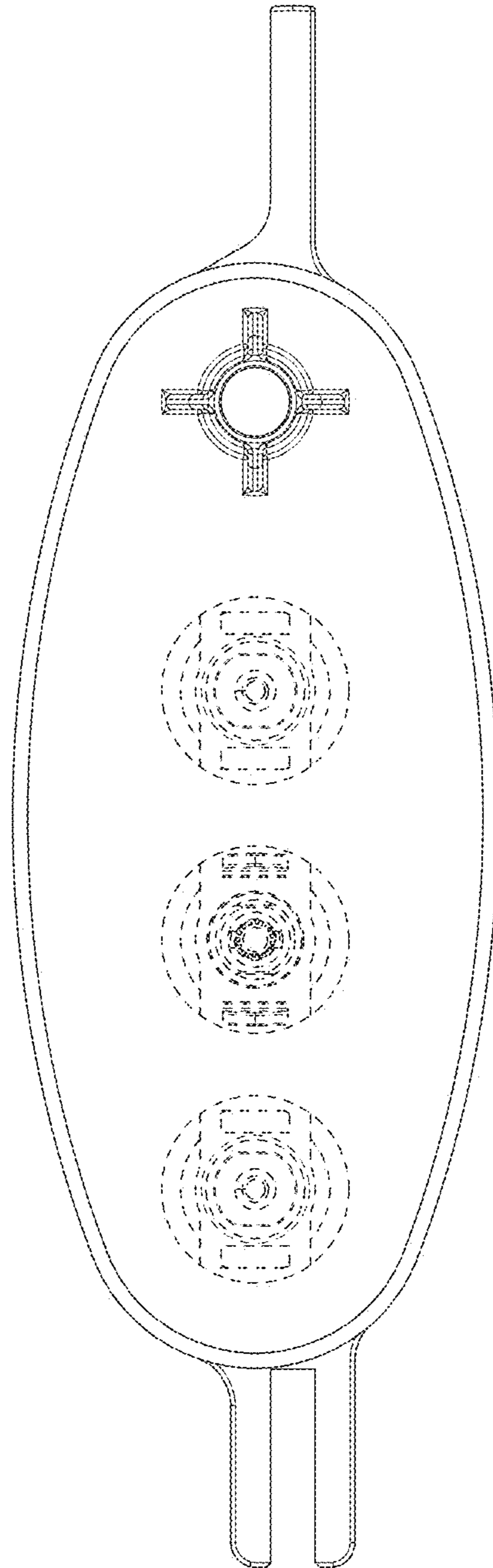


Fig. 4

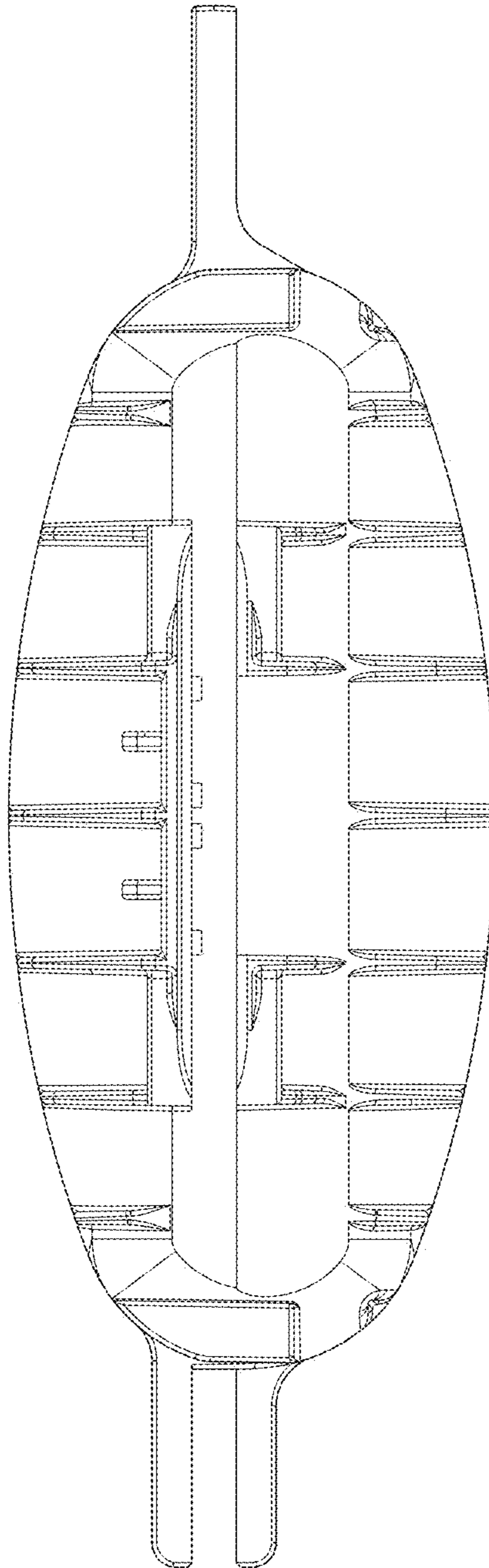


Fig. 5

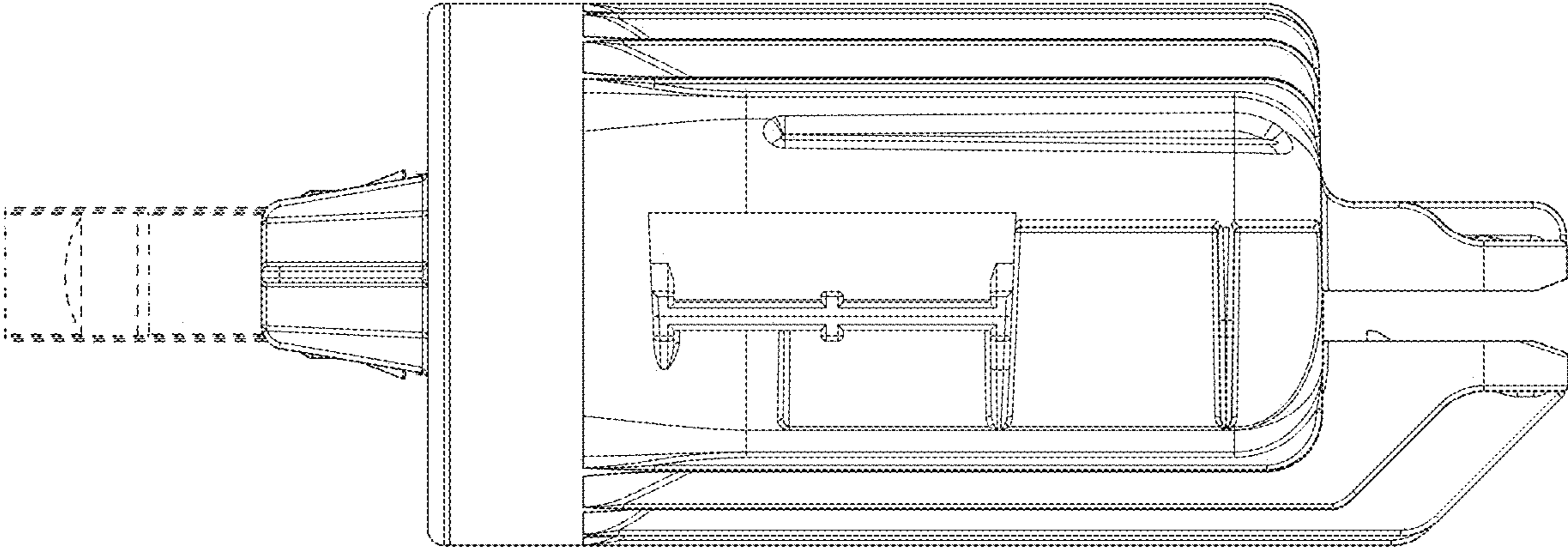


Fig. 6

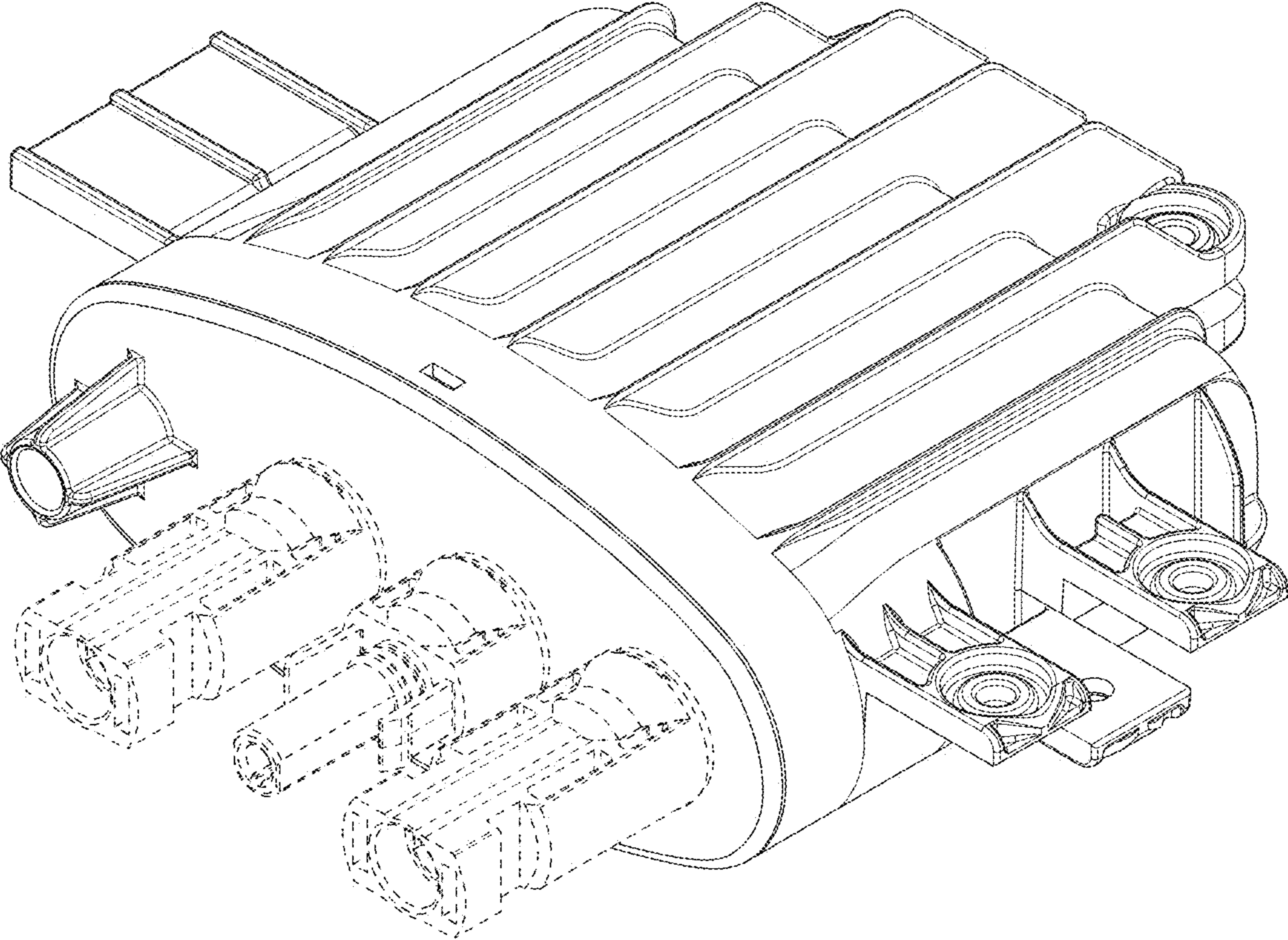


Fig. 7