



US00D974304S

(12) **United States Design Patent**  
**Kurosawa**

(10) **Patent No.:** **US D974,304 S**

(45) **Date of Patent:** **\*\* \*Jan. 3, 2023**

(54) **ELECTRICAL CONNECTOR**

(71) Applicant: **Japan Aviation Electronics Industry, Limited**, Tokyo (JP)

(72) Inventor: **Tomoya Kurosawa**, Tokyo (JP)

(73) Assignee: **JAPAN AVIATION ELECTRONICS INDUSTRY, LIMITED**, Tokyo (JP)

(\*) Notice: This patent is subject to a terminal disclaimer.

(\*\*) Term: **15 Years**

(21) Appl. No.: **29/656,714**

(22) Filed: **Jul. 16, 2018**

(30) **Foreign Application Priority Data**

Jan. 25, 2018 (JP) ..... 2018-001360

(51) **LOC (14) Cl.** ..... **13-03**

(52) **U.S. Cl.**  
USPC ..... **D13/147**

(58) **Field of Classification Search**  
USPC ..... D13/103, 110, 118–120, 123, 133, 146,  
D13/147, 149, 154, 173, 174, 178, 184,  
D13/199  
CPC ..... H01R 9/03; H01R 13/405; H01R 13/52;  
H01R 13/627; H01R 13/64; H01R  
13/6585; H01R 13/659; H01R 24/00;  
H01R 24/60; H01R 24/64  
See application file for complete search history.

(56) **References Cited**

**U.S. PATENT DOCUMENTS**

D744,430 S \* 12/2015 Yokoyama ..... D13/147  
10,109,948 B2 \* 10/2018 Zhao ..... H01R 13/6587  
10,312,628 B2 \* 6/2019 Zhang ..... H01R 13/5216  
10,468,809 B2 \* 11/2019 Zhao ..... H01R 13/6593  
D915,285 S \* 4/2021 Oosaka ..... D13/133

10,978,821 B2 \* 4/2021 Zhao ..... H01R 13/5202  
10,992,084 B2 \* 4/2021 Su ..... H01R 24/60  
D924,164 S \* 7/2021 Shimomaki ..... D13/147  
D925,461 S \* 7/2021 Ueda ..... D13/147  
11,056,832 B2 \* 7/2021 Tanaka ..... H01R 13/6585  
D928,717 S \* 8/2021 Tada ..... D13/133  
11,101,595 B2 \* 8/2021 Jo ..... H01R 13/5202  
11,165,191 B2 \* 11/2021 Choi ..... H01R 24/60  
11,196,205 B2 \* 12/2021 Toda ..... H01R 13/426  
2016/0164218 A1 \* 6/2016 Lee ..... H01R 13/5202  
439/587  
2016/0268722 A1 \* 9/2016 Tsai ..... H01R 13/5202  
(Continued)

*Primary Examiner* — Shawn T Gingrich

(74) *Attorney, Agent, or Firm* — Manabu Kanesaka

(57) **CLAIM**

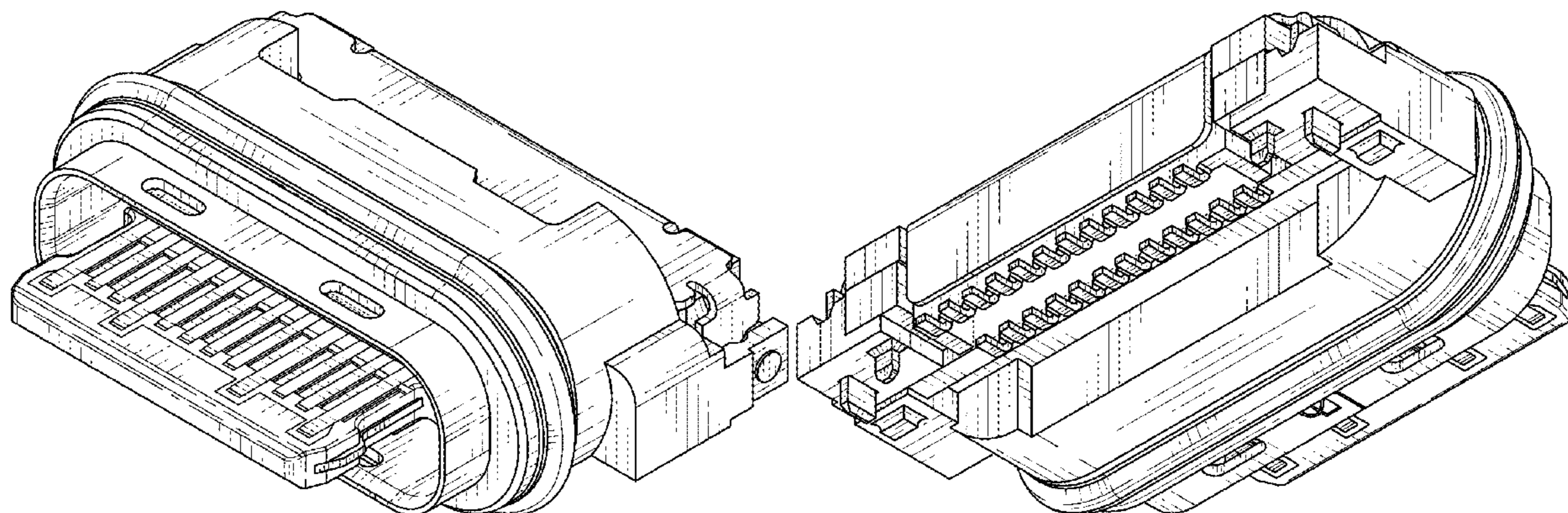
The ornamental design for an electrical connector, as shown and described.

**DESCRIPTION**

FIG. 1 is a front elevational view of an electrical connector showing my new design;  
FIG. 2 is a rear elevational view thereof;  
FIG. 3 is a right side elevational view thereof;  
FIG. 4 is a left side elevational view thereof;  
FIG. 5 is a top plan view thereof;  
FIG. 6 is a bottom plan view thereof;  
FIG. 7 is a perspective view showing a front, top and right side thereof;  
FIG. 8 is a perspective view showing a rear, bottom and left side thereof;  
FIG. 9 is a perspective view showing a front, right and bottom side thereof; and,  
FIG. 10 is a perspective view showing a rear, left and top side thereof.

The broken line showing of the electrical connector is for the purpose of illustrating portions of the article, and defines the bounds of the claimed design. The broken line forms no part of the claimed design.

**1 Claim, 5 Drawing Sheets**



(56)

**References Cited**

## U.S. PATENT DOCUMENTS

2016/0352051	A1 *	12/2016	Tsai .....	H01R 13/405
2017/0162976	A1 *	6/2017	Zhao .....	H01R 12/725
2017/0271823	A1 *	9/2017	Zhao .....	H01R 13/50
2017/0279235	A1 *	9/2017	Tada .....	H01R 13/6581
2017/0365961	A1 *	12/2017	Zhao .....	H01R 13/6581
2017/0373408	A1 *	12/2017	Cheng .....	H01R 13/65912
2017/0373440	A1 *	12/2017	Zhao .....	H01R 13/506
2017/0373441	A1 *	12/2017	Zhao .....	H01R 24/60
2018/0138638	A1 *	5/2018	Zhao .....	H01R 13/6581
2018/0145461	A1 *	5/2018	Zhao .....	H01R 13/6595
2018/0151988	A1 *	5/2018	Zhao .....	H01R 13/6585
2018/0159267	A1 *	6/2018	Zhao .....	H01R 13/6581
2018/0191092	A1 *	7/2018	Zhou .....	H01R 13/6471
2018/0191105	A1 *	7/2018	Zhao .....	H01R 13/6595
2018/0287291	A1 *	10/2018	Kifune .....	H01R 13/5219
2020/0259292	A1 *	8/2020	Hsu .....	H01R 13/5202
2020/0412067	A1 *	12/2020	Xu .....	H01R 13/6594
2021/0044061	A1 *	2/2021	Zhou .....	H01R 13/6581
2021/0119373	A1 *	4/2021	Xu .....	H01R 13/521
2021/0119377	A1 *	4/2021	Hsu .....	H01R 13/5202
2021/0119384	A1 *	4/2021	Kawasaki .....	H01R 13/5202
2021/0143599	A1 *	5/2021	Peng .....	B29C 45/14

\* cited by examiner

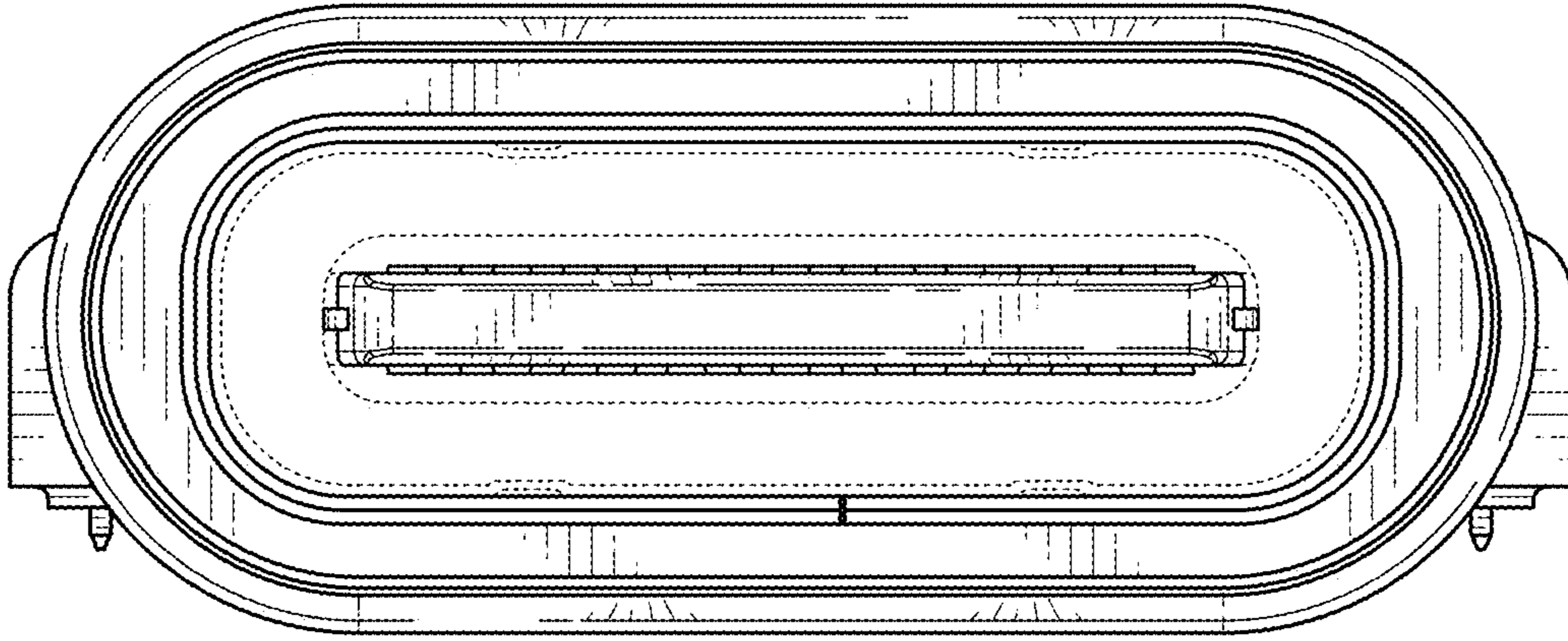


FIG. 1

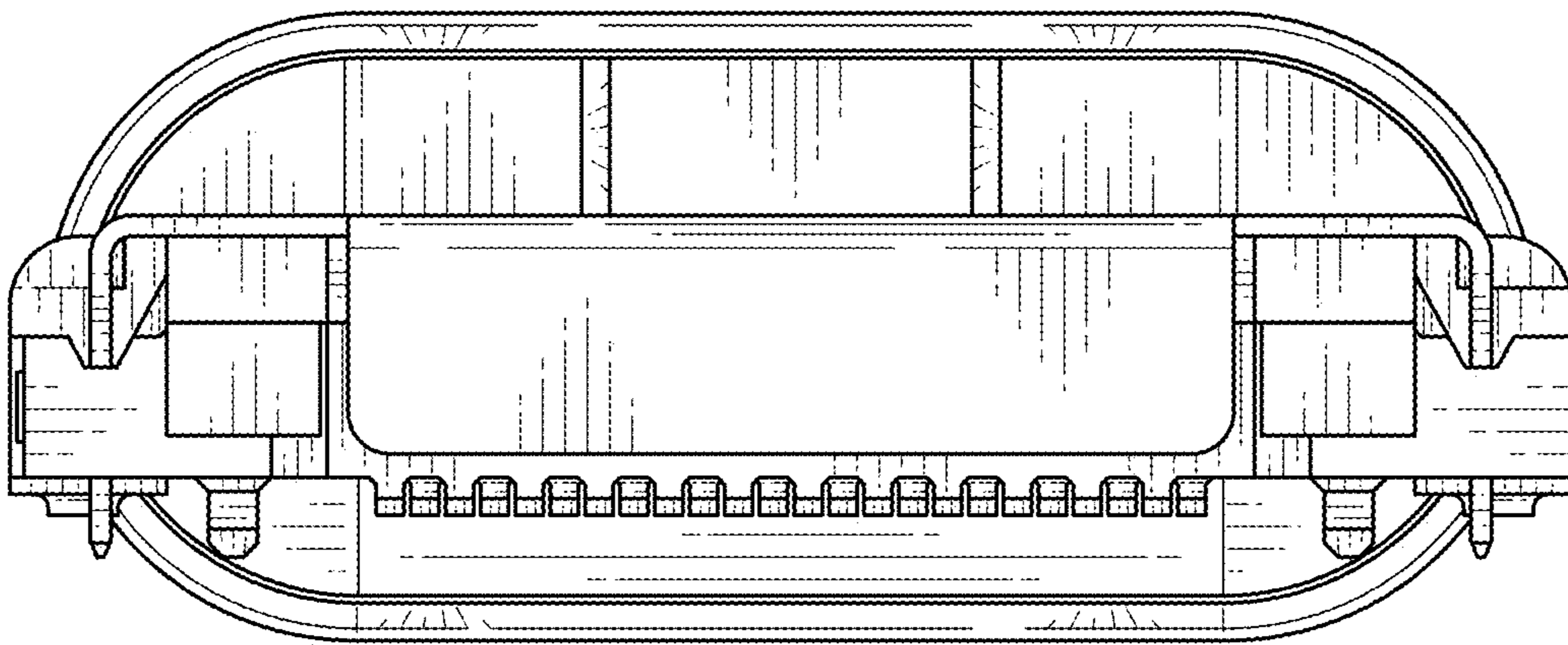


FIG. 2



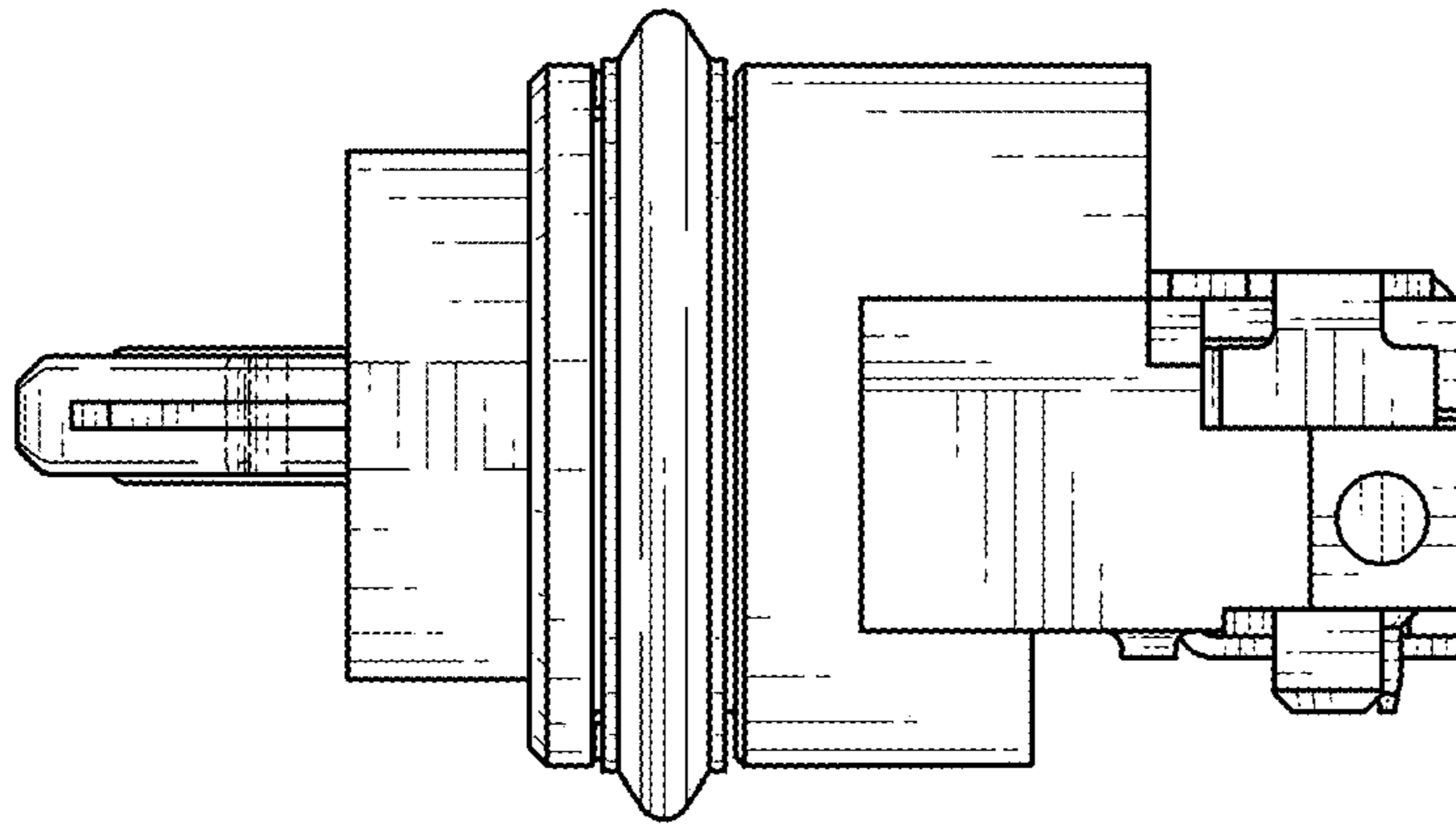


FIG. 3

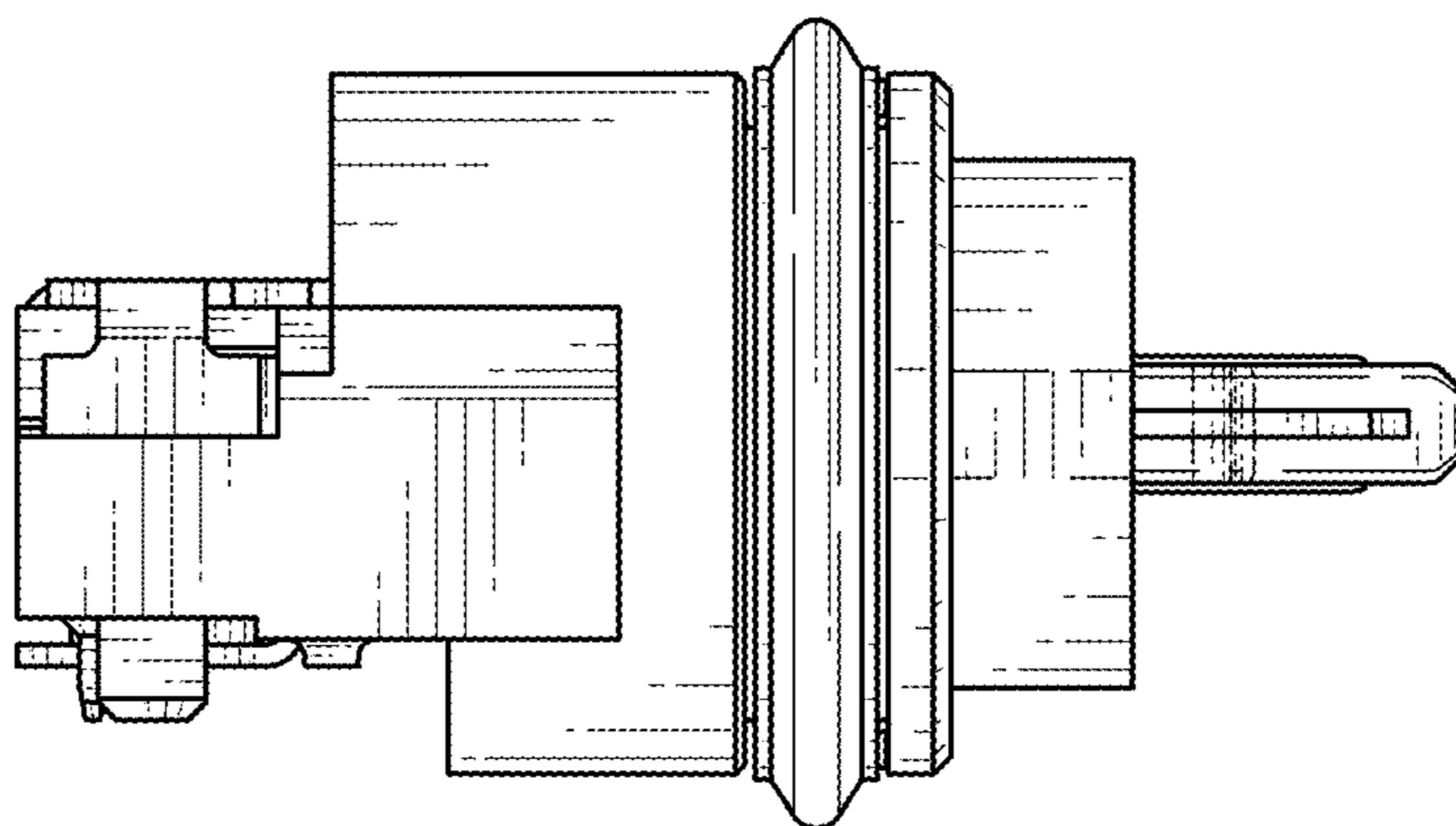


FIG. 4

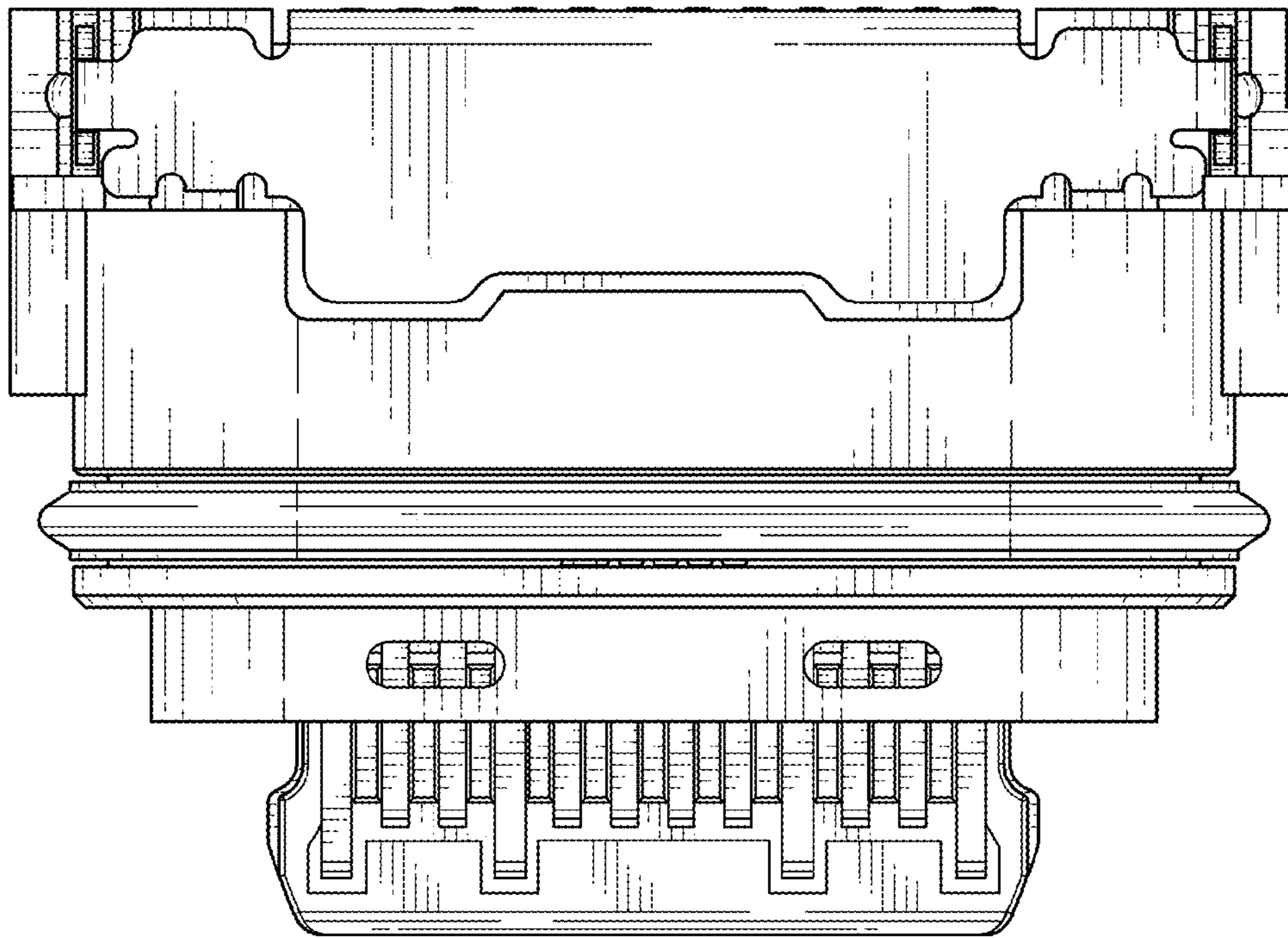


FIG. 5

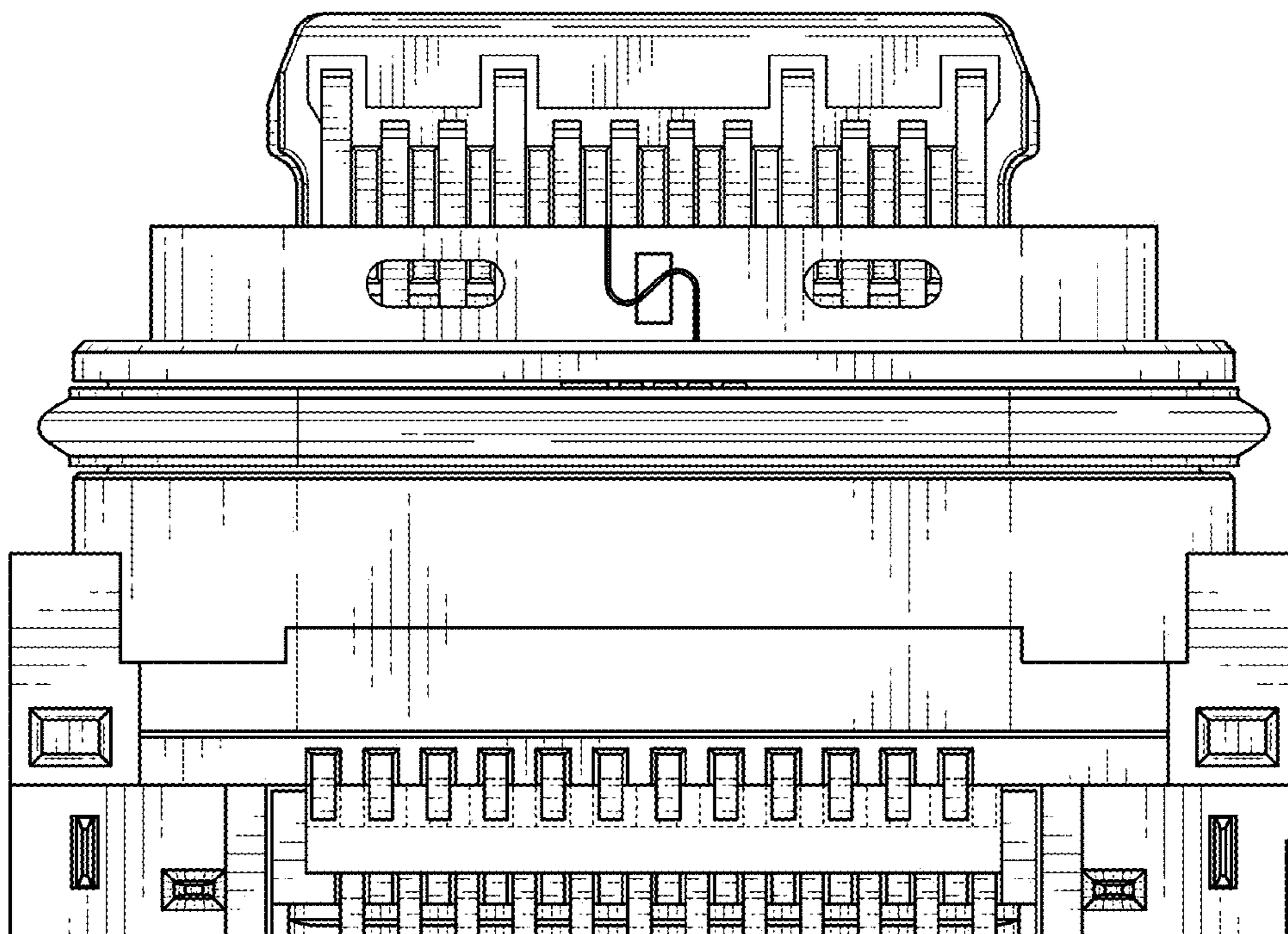


FIG. 6

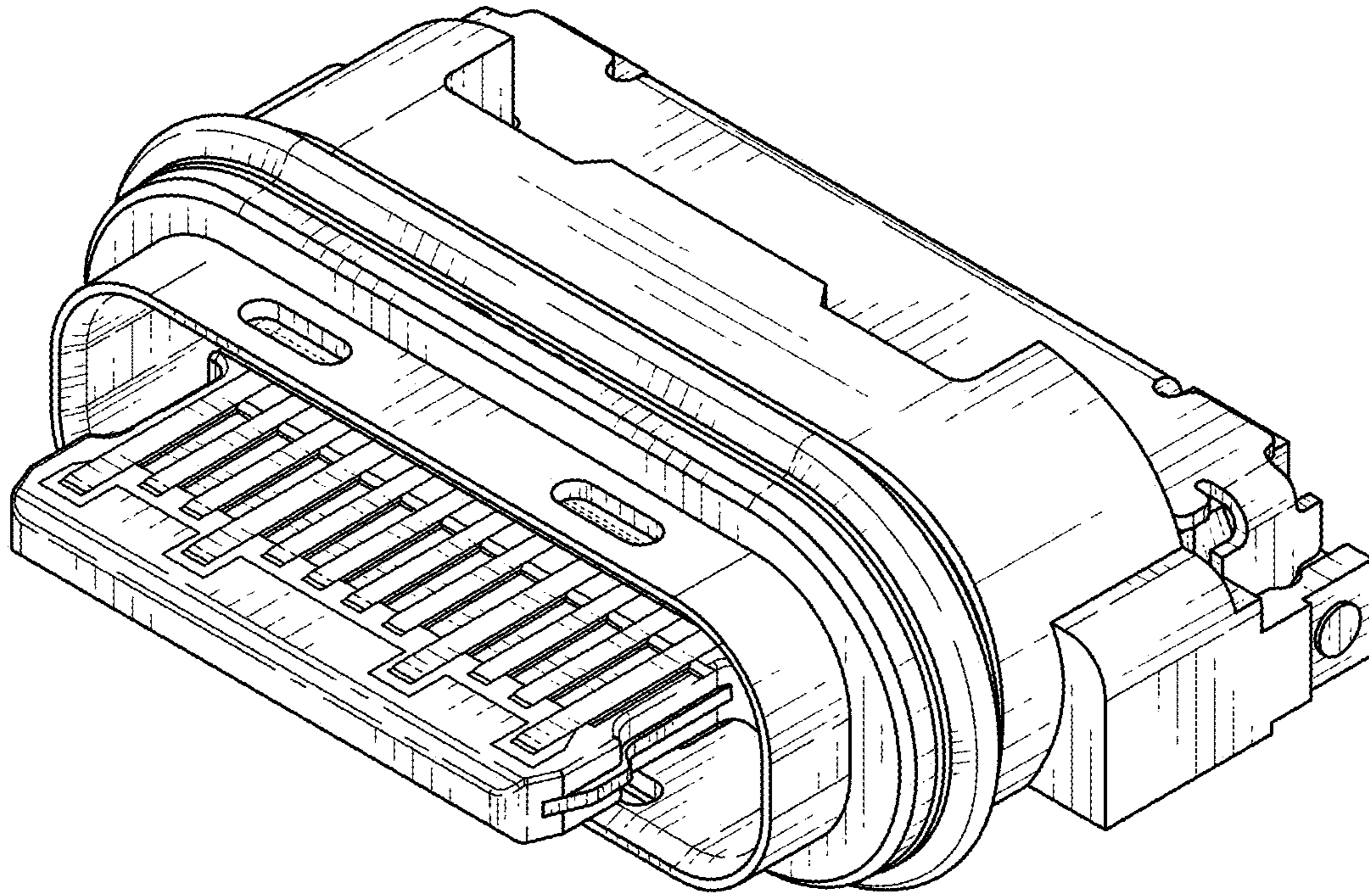


FIG. 7

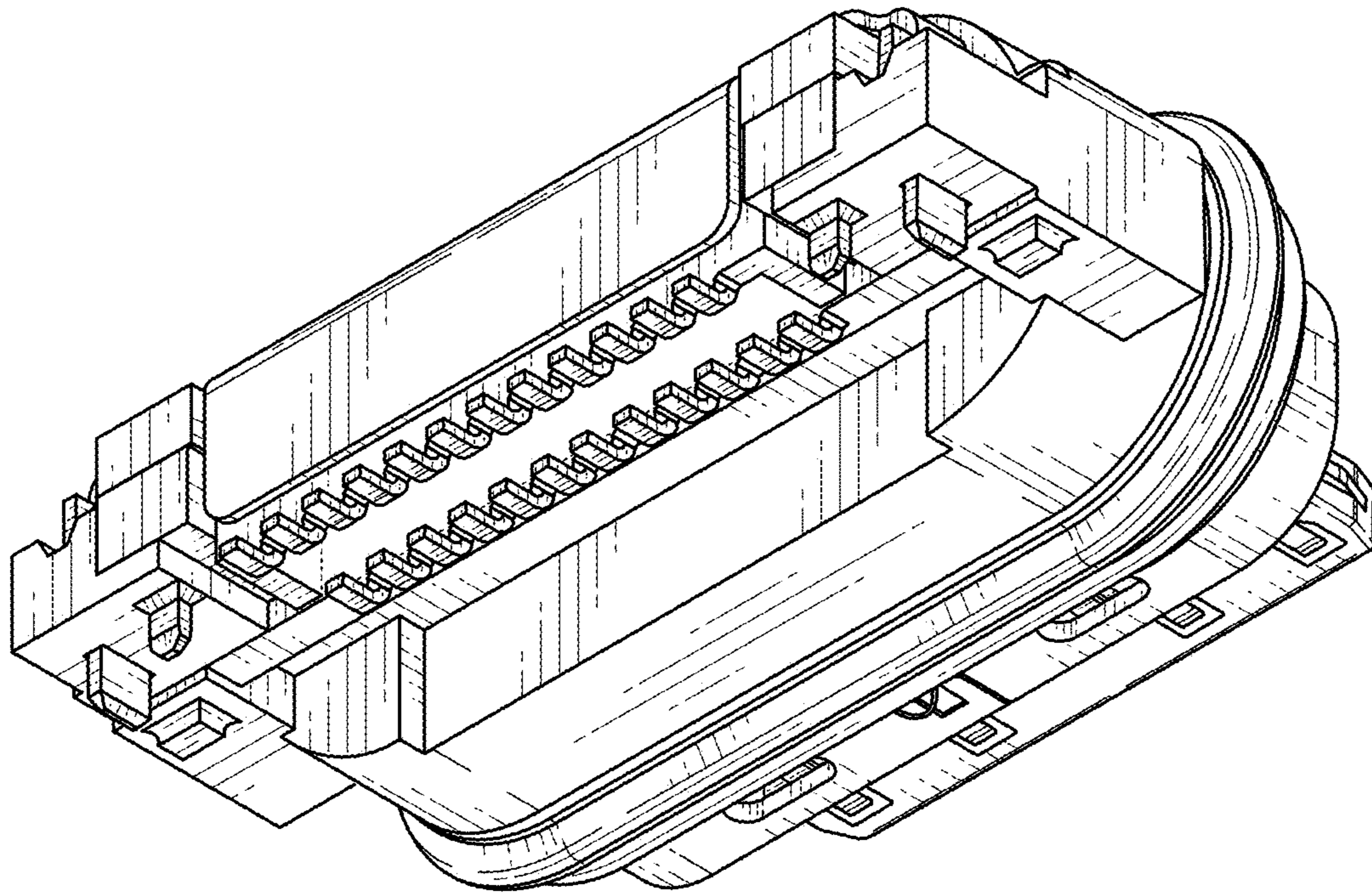


FIG. 8



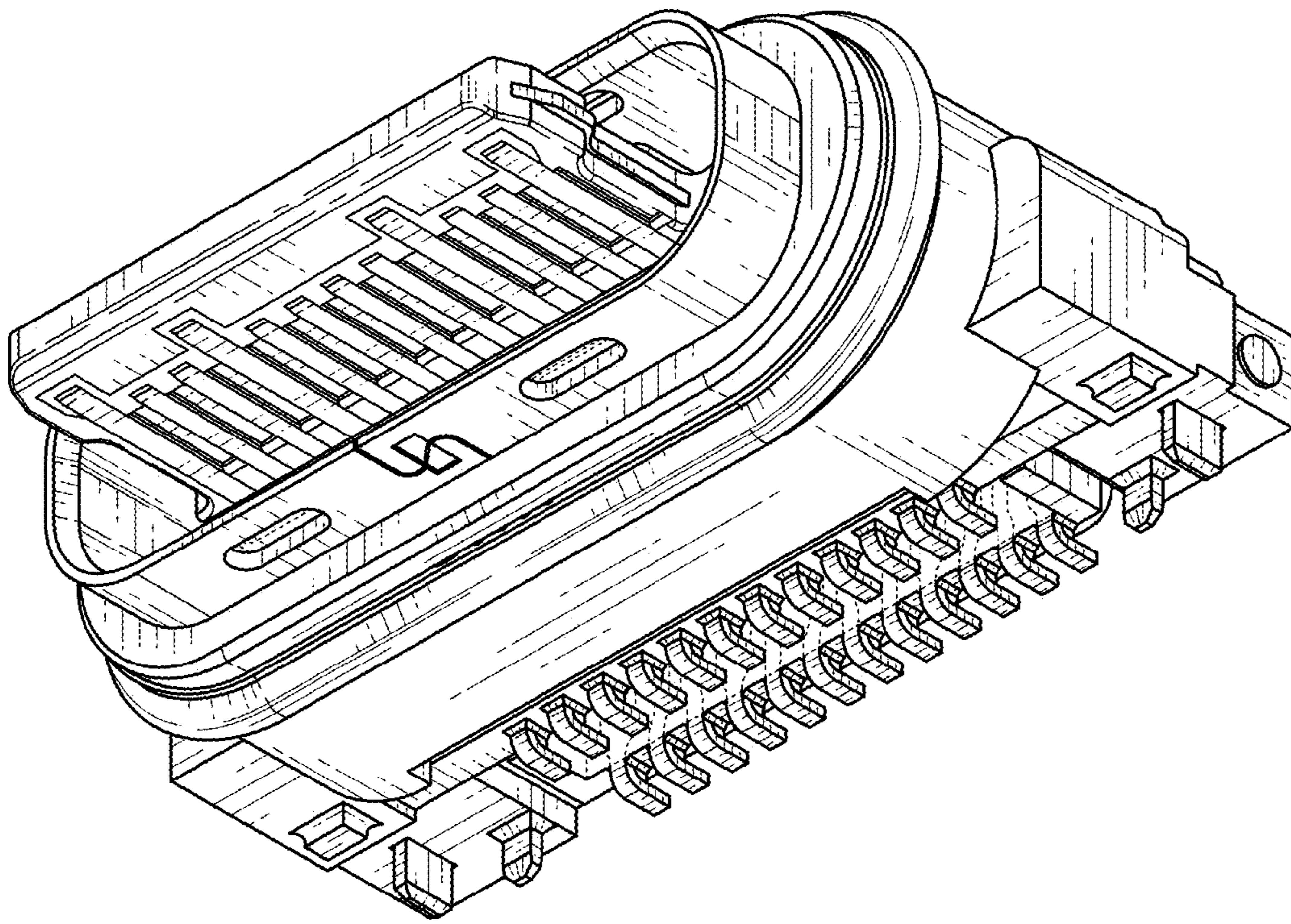


FIG. 9

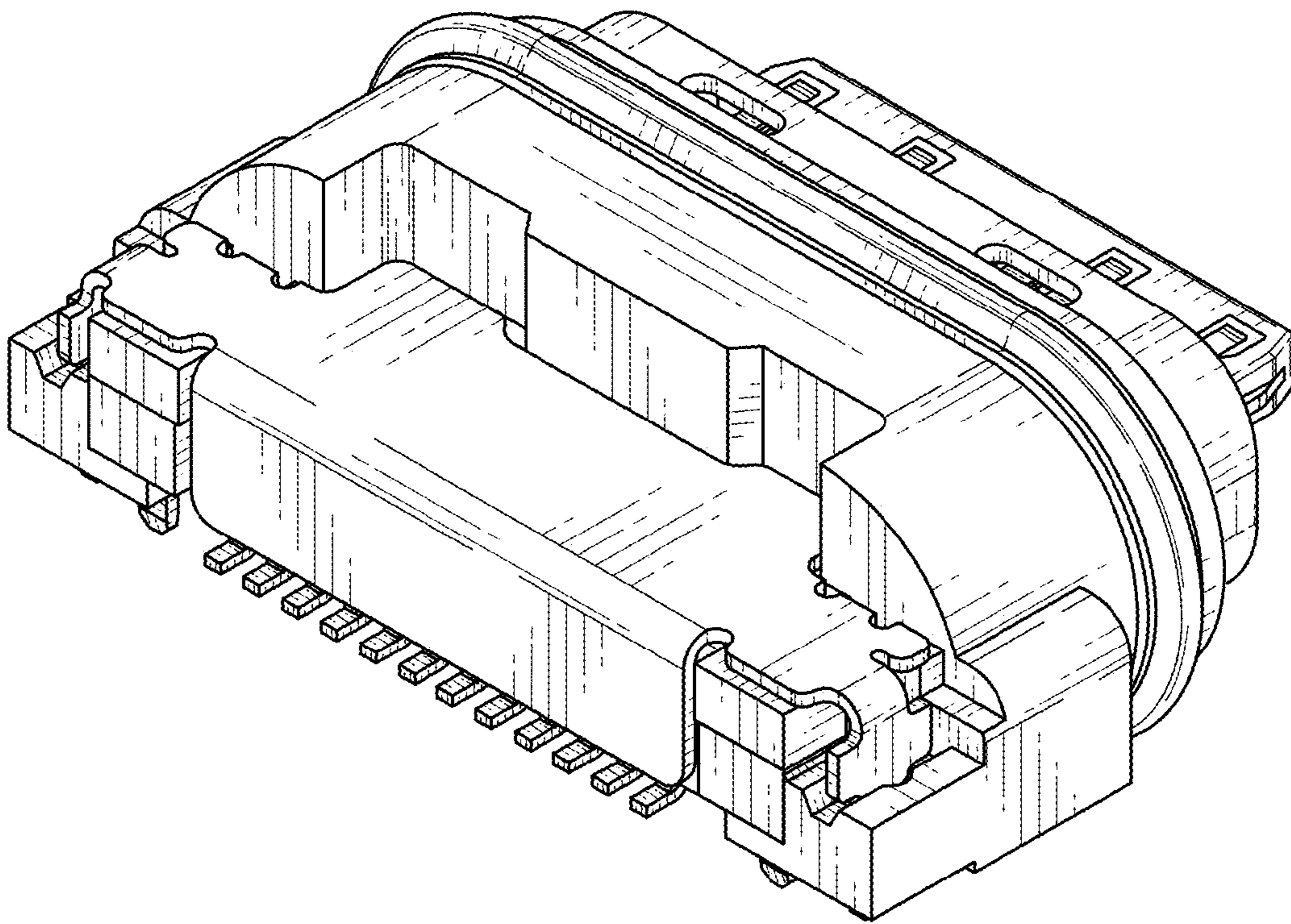


FIG. 10