



US00D974302S

(12) **United States Design Patent** (10) **Patent No.:** **US D974,302 S**
Bu (45) **Date of Patent:** **** Jan. 3, 2023**

(54) **SURGE PROTECTOR**

(71) Applicant: **SUZHOU AOPEC IMP. & EXP. CO., LTD.**, Jiangsu (CN)

(72) Inventor: **Hongsheng Bu**, Jiangsu (CN)

(**) Term: **15 Years**

(21) Appl. No.: **29/837,870**

(22) Filed: **May 9, 2022**

(51) **LOC (14) Cl.** **13-03**

(52) **U.S. Cl.**
USPC **D13/137.4**

(58) **Field of Classification Search**

USPC D13/137.1, 137.2, 137.3, 137.4, 138.1,
D13/138.2, 139.1, 139.2, 139.3, 139.4,
D13/139.5, 139.6, 139.7, 139.8;
D14/432, 433, 435.1, 438

CPC H01R 13/11; H01R 13/518; H01R 13/642;
H01R 13/652; H01R 13/20; H01R 13/26;
H01R 13/434; H01R 13/625; H01R
25/003; H01R 25/006; H01R 43/26;
H01H 71/62; H01H 73/14

See application file for complete search history.

(56) **References Cited**

U.S. PATENT DOCUMENTS

D588,540 S * 3/2009 Barnes, Jr. D13/139.1
D597,487 S * 8/2009 Barnes, Jr. D13/139.1
D646,224 S * 10/2011 Guo D13/147
D673,919 S 1/2013 Chung
D766,830 S * 9/2016 Parks D13/133
D768,080 S * 10/2016 Parks D13/133
D872,696 S * 1/2020 Yu D13/137.4
D941,772 S * 1/2022 Mi D13/137.4
D941,773 S * 1/2022 Mi D13/137.4

FOREIGN PATENT DOCUMENTS

CN 306915034 * 11/2021
CN 307094507 * 2/2022
GB 6211498 * 5/2022

OTHER PUBLICATIONS

“AOPEC RV Surge Protector 50 Amp with All-in-one Circuit Testing Protection with UL Tested (4200 Joules) Removable Waterproof Covers, RV Adapter Plug Power Defender for Camper”, first available Apr. 26, 2022. Amazon.com [https://www.amazon.com/dp/B09ZL2GR2L] (Year: 2022).*

“KACSOO RV Surge Protector 30 Amp, 5000 Joules Surge Protector for RV Voltage Protector with Waterproof Cover and LED Indicator, UL Listed and ETL Listed”, first available Dec. 27, 2021. Amazon.com [https://www.amazon.com/dp/B09P8FMT2X] (Year: 2021).*

(Continued)

Primary Examiner — Rosemary K Tarcza

Assistant Examiner — Seth David Kumpf

(74) *Attorney, Agent, or Firm* — Che-Yang Chen; Law Office of Michael Chen

(57) **CLAIM**

The ornamental design for a surge protector, as shown and described.

DESCRIPTION

FIG. 1 is a perspective view of the surge protector showing my new design;

FIG. 2 is a perspective view thereof from another angle;

FIG. 3 is a front elevational view thereof;

FIG. 4 is a rear elevational view thereof;

FIG. 5 is a left side elevational view thereof;

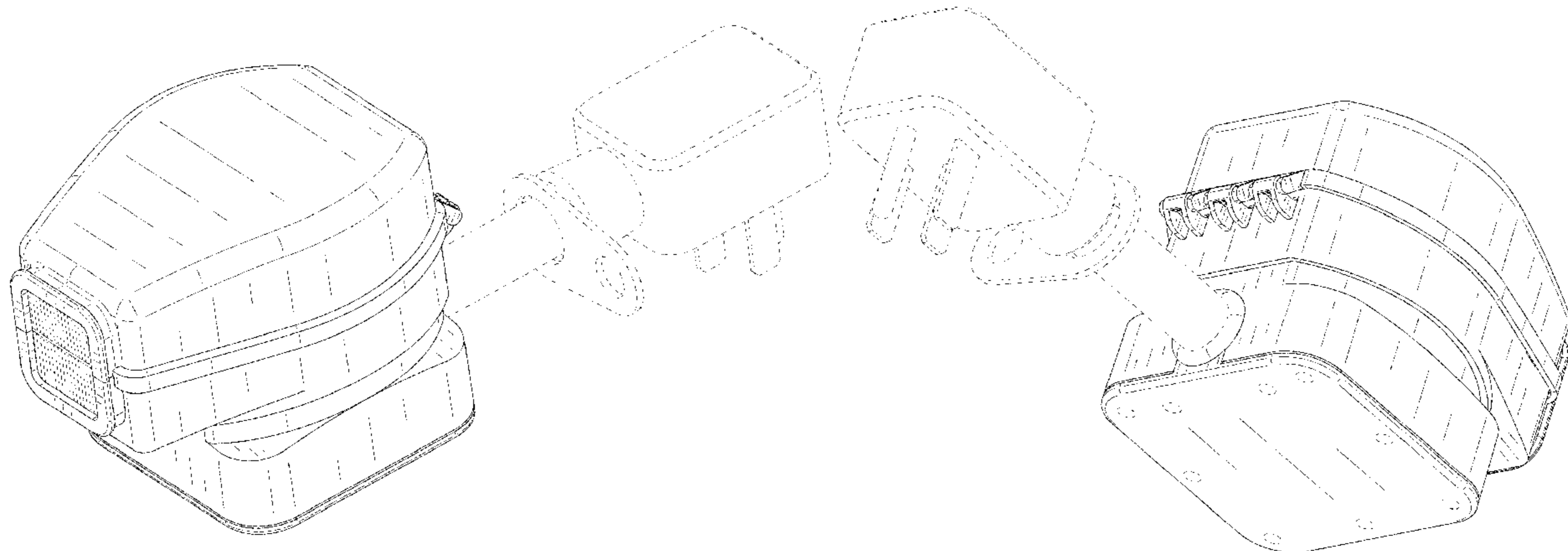
FIG. 6 is a right side elevational view thereof;

FIG. 7 is a top plan view thereof; and,

FIG. 8 is a bottom plan view thereof.

The broken lines shown in the drawings represent portions of the surge protector that form no part of the claimed design.

1 Claim, 8 Drawing Sheets



(56)

References Cited

OTHER PUBLICATIONS

“Jusen RV Surge Protector 30 Amp for Camping, Full Protection with Waterproof Cover, Protector with Circuit Analyzer and RV Surge Protection (4100 Joules), 125V/3750W”, first available Jun. 25, 2022. Amazon.com [<https://www.amazon.com/dp/B0B52XFSM1>] (Year: 2022).*

* cited by examiner

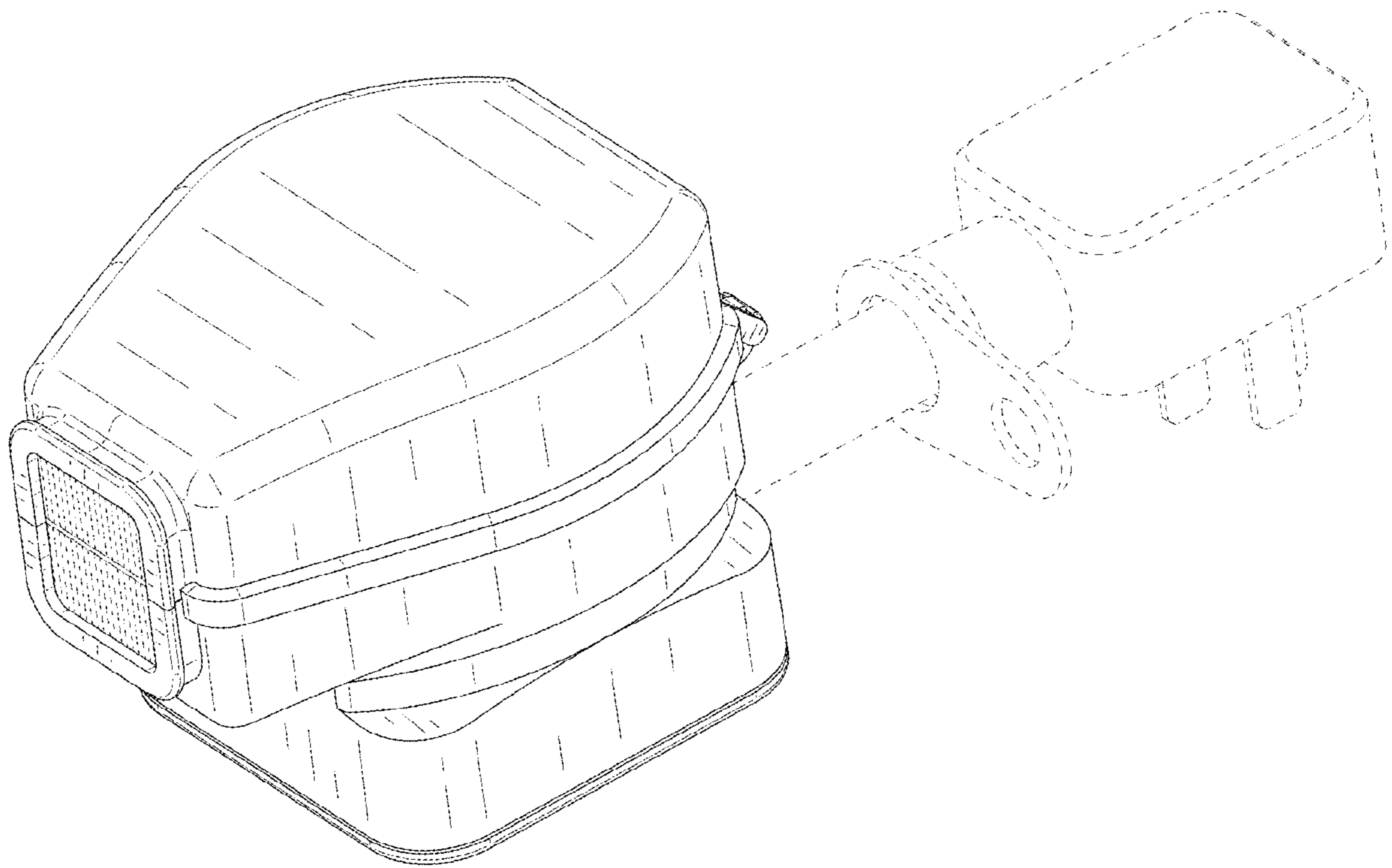


FIG. 1

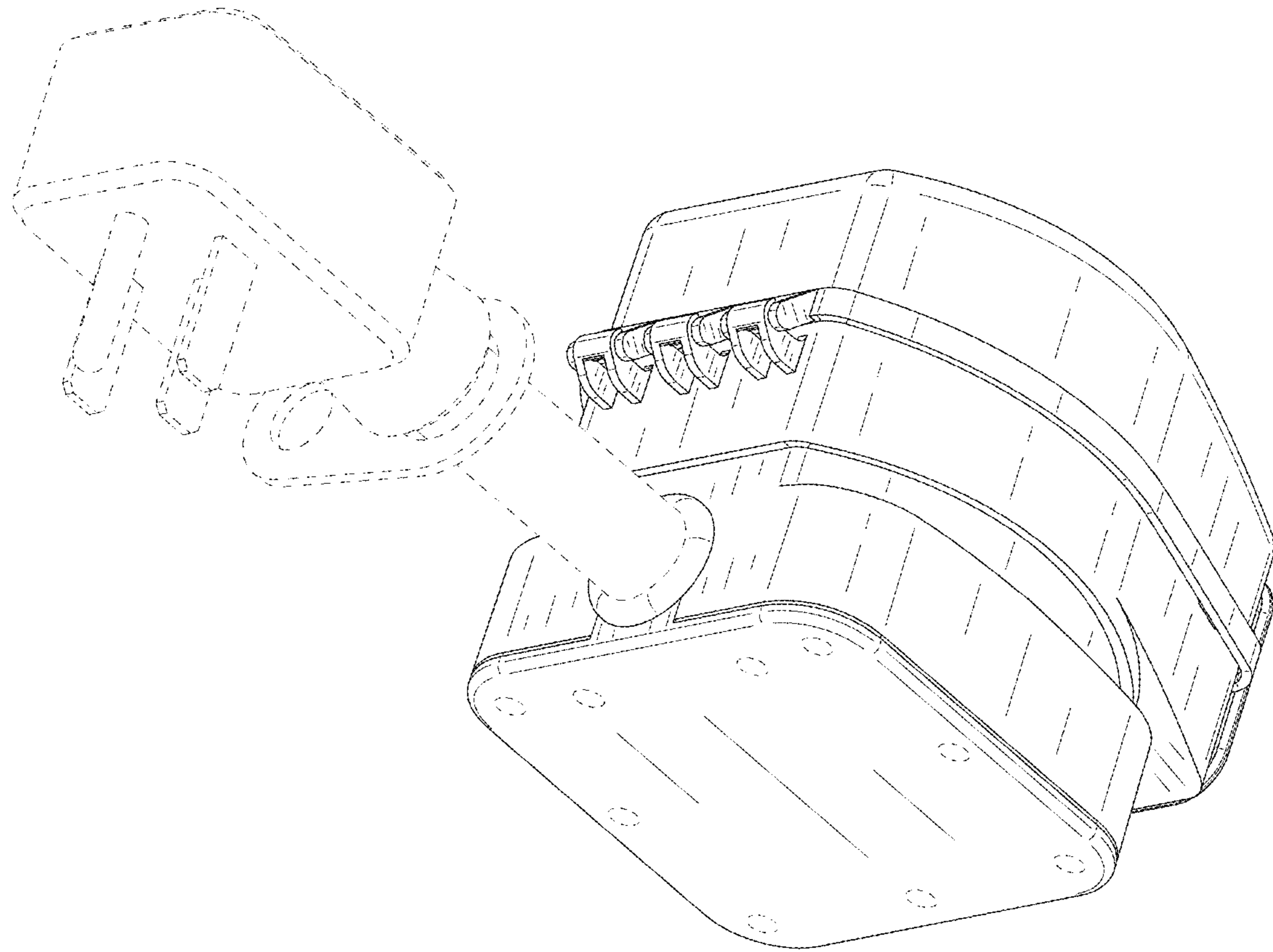


FIG. 2

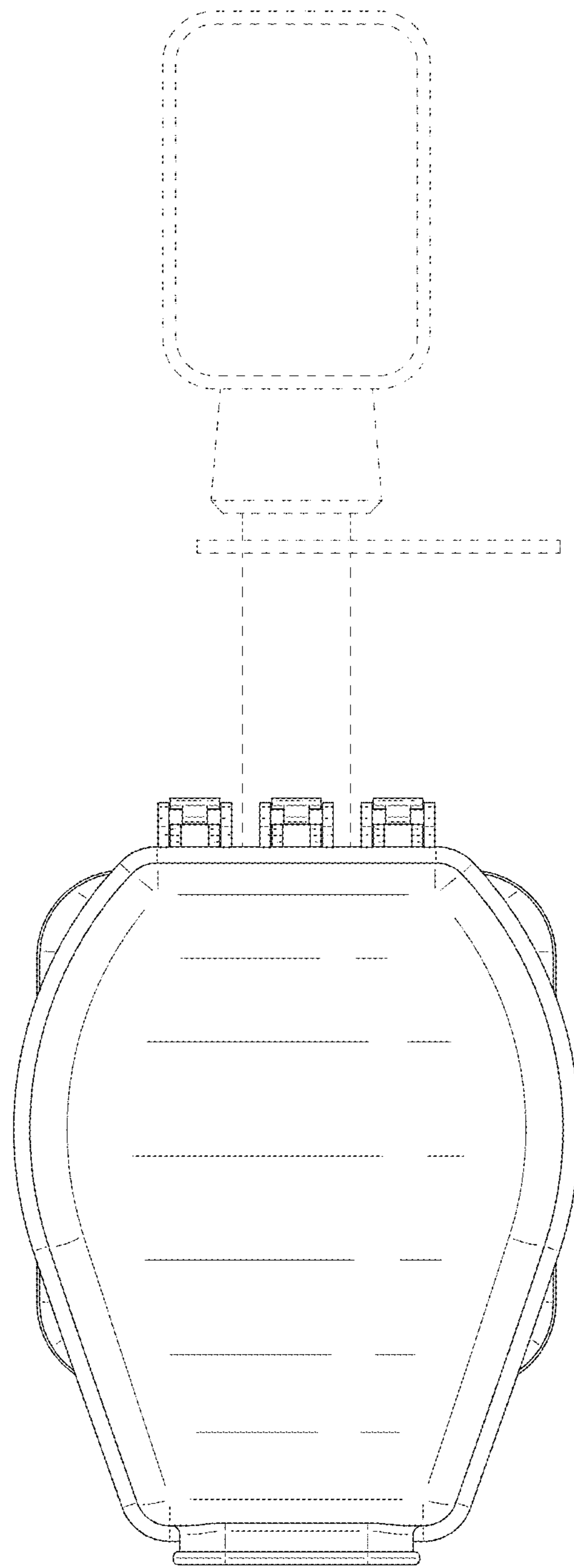


FIG. 3

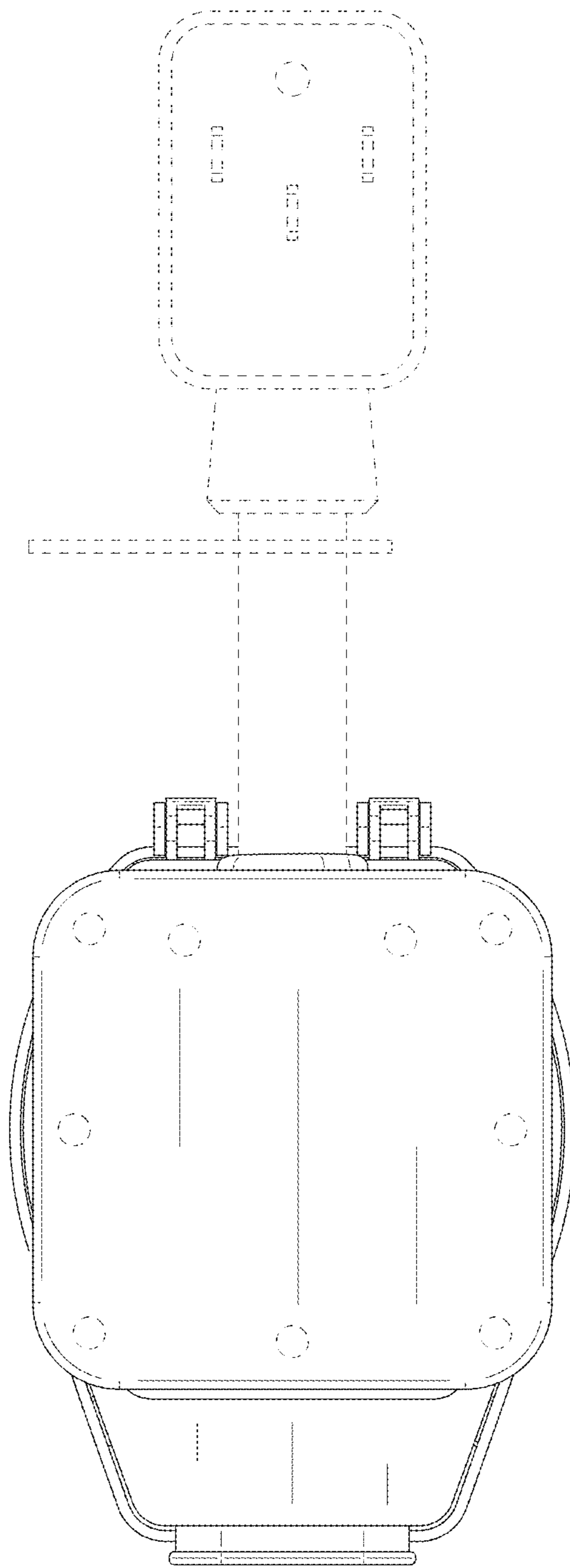


FIG. 4

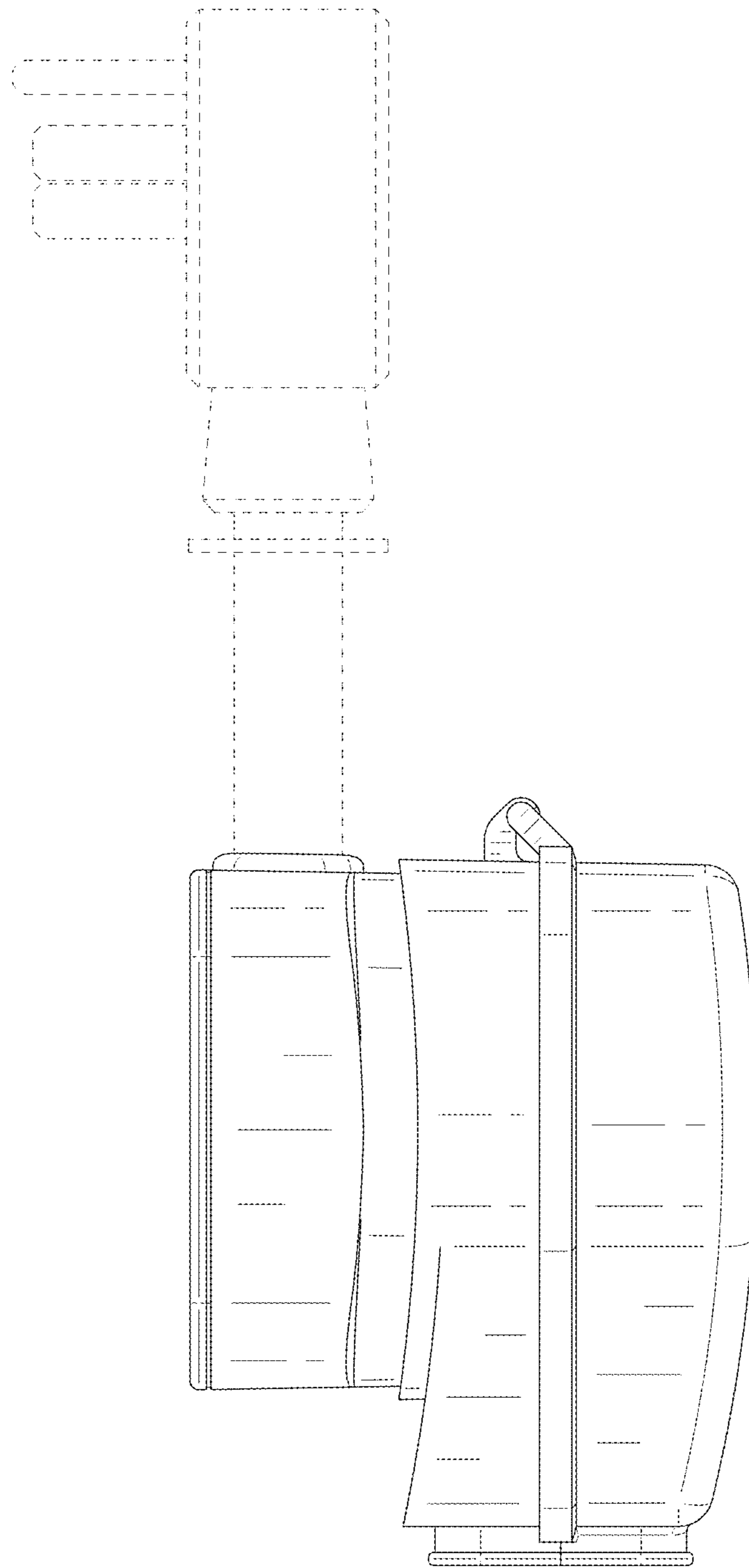


FIG. 5

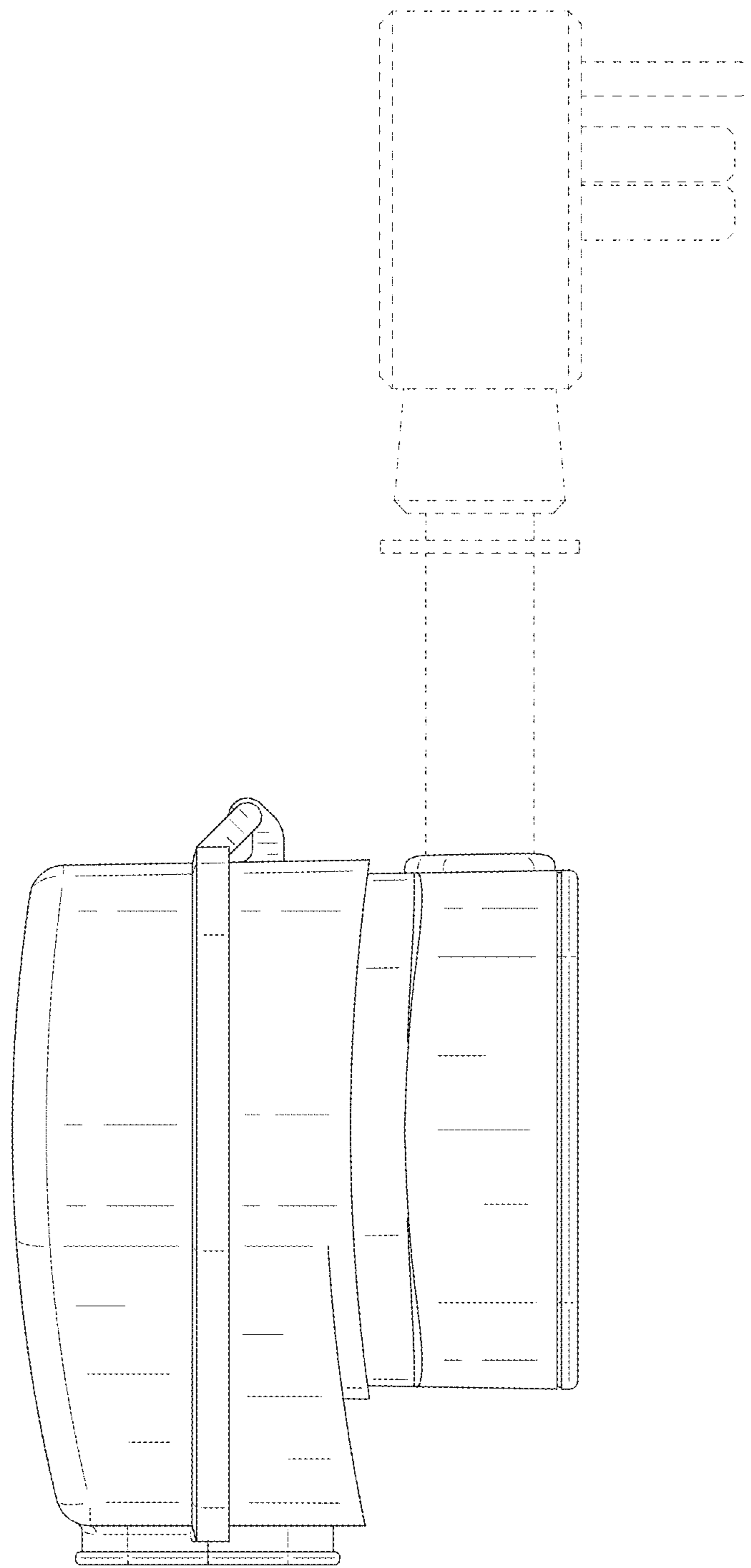


FIG. 6

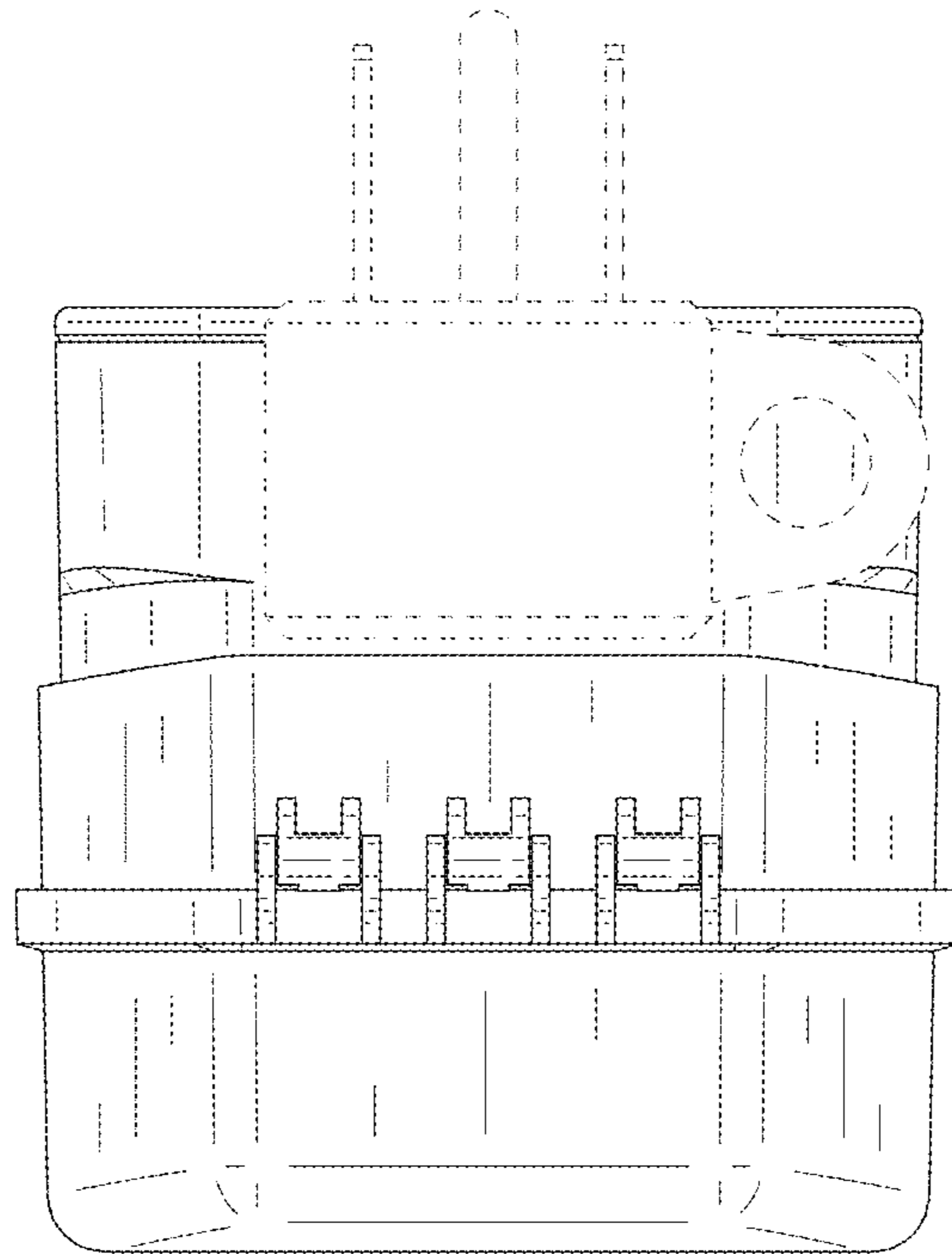


FIG. 7

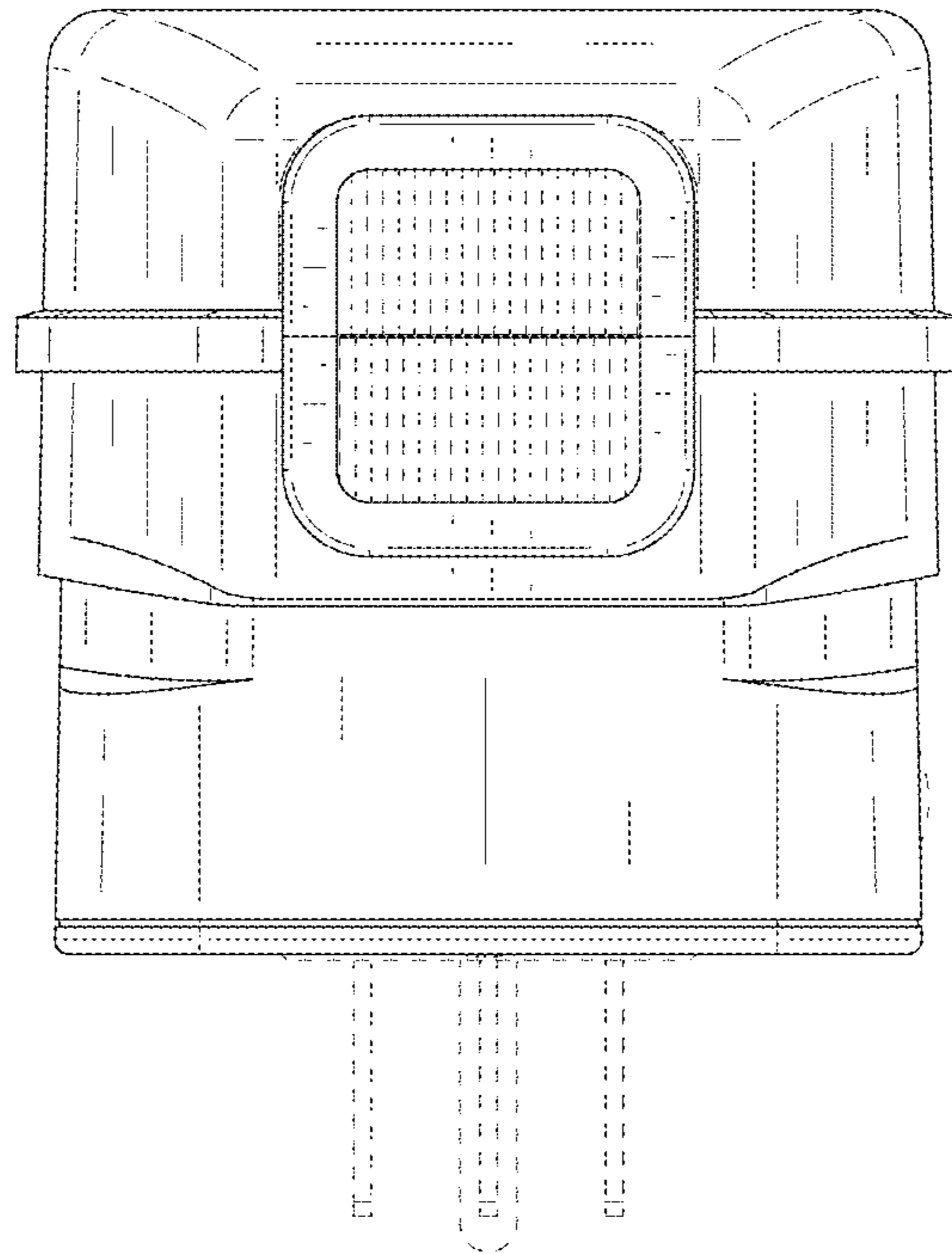


FIG. 8