



US00D974301S

(12) **United States Design Patent**  
**Hirmke et al.**

(10) **Patent No.:** **US D974,301 S**  
(45) **Date of Patent:** **\*\* Jan. 3, 2023**

(54) **CONNECTOR HOUSING**  
(71) Applicant: **STÄUBLI ELECTRICAL**  
**CONNECTORS AG, Allschwil (CH)**  
(72) Inventors: **Joachim Hirmke, Nuremberg (DE);**  
**Alexander Hänggi, Duggingen (CH)**  
(73) Assignee: **STAUBLI ELECTRICAL**  
**CONNECTORS AG, Allschwil (CH)**

D478,549 S \* 8/2003 Porzelt ..... D13/146  
D588,989 S \* 3/2009 Kok ..... D13/133  
D593,033 S \* 5/2009 Ogata ..... D13/133  
D593,951 S 6/2009 Yoon  
D605,595 S 12/2009 Thomas  
D625,270 S 10/2010 Schafmeister  
D641,703 S 7/2011 Severing  
D674,801 S 1/2013 Wharram  
D676,391 S 2/2013 Gassauer  
D708,138 S 7/2014 Sticker  
D717,734 S 11/2014 Habirov  
(Continued)

(\*\*) Term: **15 Years**

(21) Appl. No.: **29/723,687**

(22) Filed: **Feb. 10, 2020**

**Related U.S. Application Data**

(62) Division of application No. 35/506,627, filed on Aug. 22, 2018 (U.S. filing date under 35 U.S.C. 384), and having an international filing date of Aug. 22, 2018, now Pat. No. Des. 902,861.

(30) **Foreign Application Priority Data**

Feb. 27, 2018 (CH) ..... 143.819

(51) **LOC (14) Cl.** ..... **13-03**

(52) **U.S. Cl.**  
USPC ..... **D13/133**

(58) **Field of Classification Search**  
USPC ..... D13/133, 146-147, 154, 156, 120  
CPC ..... H01R 13/642; H01R 43/24; H01R 13/743  
See application file for complete search history.

(56) **References Cited**

**U.S. PATENT DOCUMENTS**

5,131,867 A \* 7/1992 Pelosa ..... H01R 13/743  
439/384  
5,547,394 A \* 8/1996 Comstock ..... H01R 13/743  
439/557  
D473,844 S \* 4/2003 Bender ..... D13/133

**OTHER PUBLICATIONS**

CBLMR Cellular Paradyamics Chrome Accessories, Accepted on Dec. 26, 1990 by the Japan Patent Office, Written on p. 15, (The Japan Patent Office, Design Division, Publicly-known Document No. HD02025413).

(Continued)

*Primary Examiner* — Rhea Shields  
(74) *Attorney, Agent, or Firm* — Sughrue Mion, PLLC

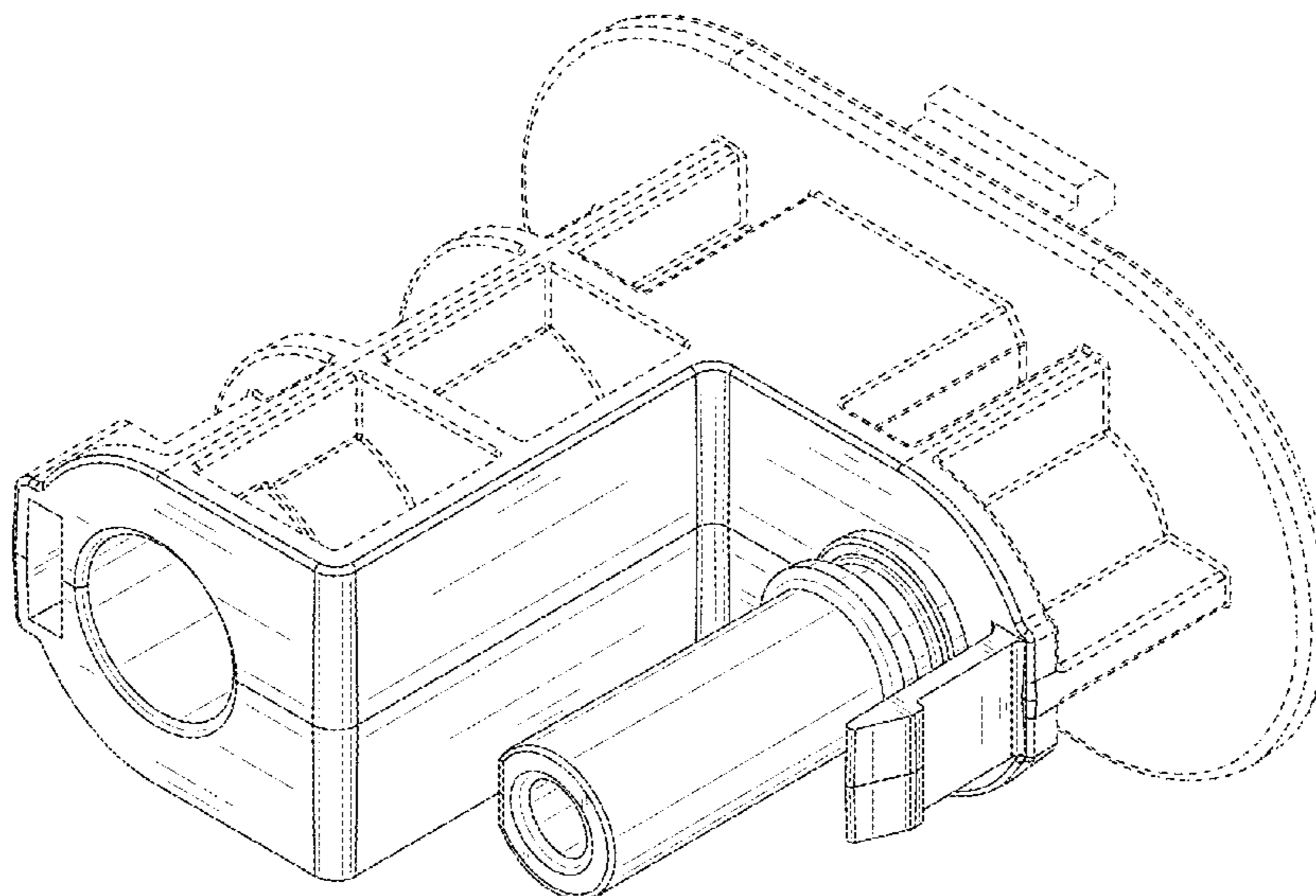
(57) **CLAIM**

The ornamental design for a connector housing, as shown and described.

**DESCRIPTION**

FIG. 1 is a bottom view of the connector housing that we consider to be our invention;  
FIG. 2 is a front elevation view thereof;  
FIG. 3 is a left side view thereof;  
FIG. 4 is a rear elevation view thereof;  
FIG. 5 is a right side view thereof;  
FIG. 6 is a top view thereof; and,  
FIG. 7 is a perspective view thereof.  
Broken lines are provided to show portions of the connector housing that are not being claimed, and thus form no part of the claimed design.

**1 Claim, 7 Drawing Sheets**



(56)

**References Cited**

U.S. PATENT DOCUMENTS

D722,971	S *	2/2015	Smith .....	D13/147
D747,270	S	1/2016	Severing	
D800,066	S	10/2017	Sasaki	
D801,934	S	11/2017	Sasaki	
9,899,752	B2	2/2018	Wu	
D814,418	S *	4/2018	Kawakami .....	D13/133
D817,280	S *	5/2018	Nook .....	D13/133
10,056,861	B2	8/2018	Sauerzapf	
D827,574	S *	9/2018	Kawakami .....	D13/133
D830,974	S	10/2018	Kufner	
D851,595	S *	6/2019	Chen .....	D13/133
D862,394	S	10/2019	Hernandez	
D866,473	S	11/2019	Ramakrishna Gowda	
D867,290	S	11/2019	Wang	
D868,694	S	12/2019	Rosson	
D902,861	S *	11/2020	Hirmke .....	D13/133
D939,442	S *	12/2021	Soward .....	D13/120
D941,770	S *	1/2022	Haley .....	D13/133
D942,400	S *	2/2022	Belle .....	D13/146
D942,953	S *	2/2022	Belle .....	D13/146
D942,955	S *	2/2022	Kluwe .....	D13/156
D946,533	S *	3/2022	Conlon .....	D13/154
2010/0291804	A1 *	11/2010	Zhang .....	H01R 43/24 439/660
2011/0003512	A1 *	1/2011	Bower .....	H01R 13/642 439/627

OTHER PUBLICATIONS

Office Action issued in Japanese Patent Application No. 2018-018570 (Reference No. ISL1844D) dated Dec. 11, 2018.

\* cited by examiner

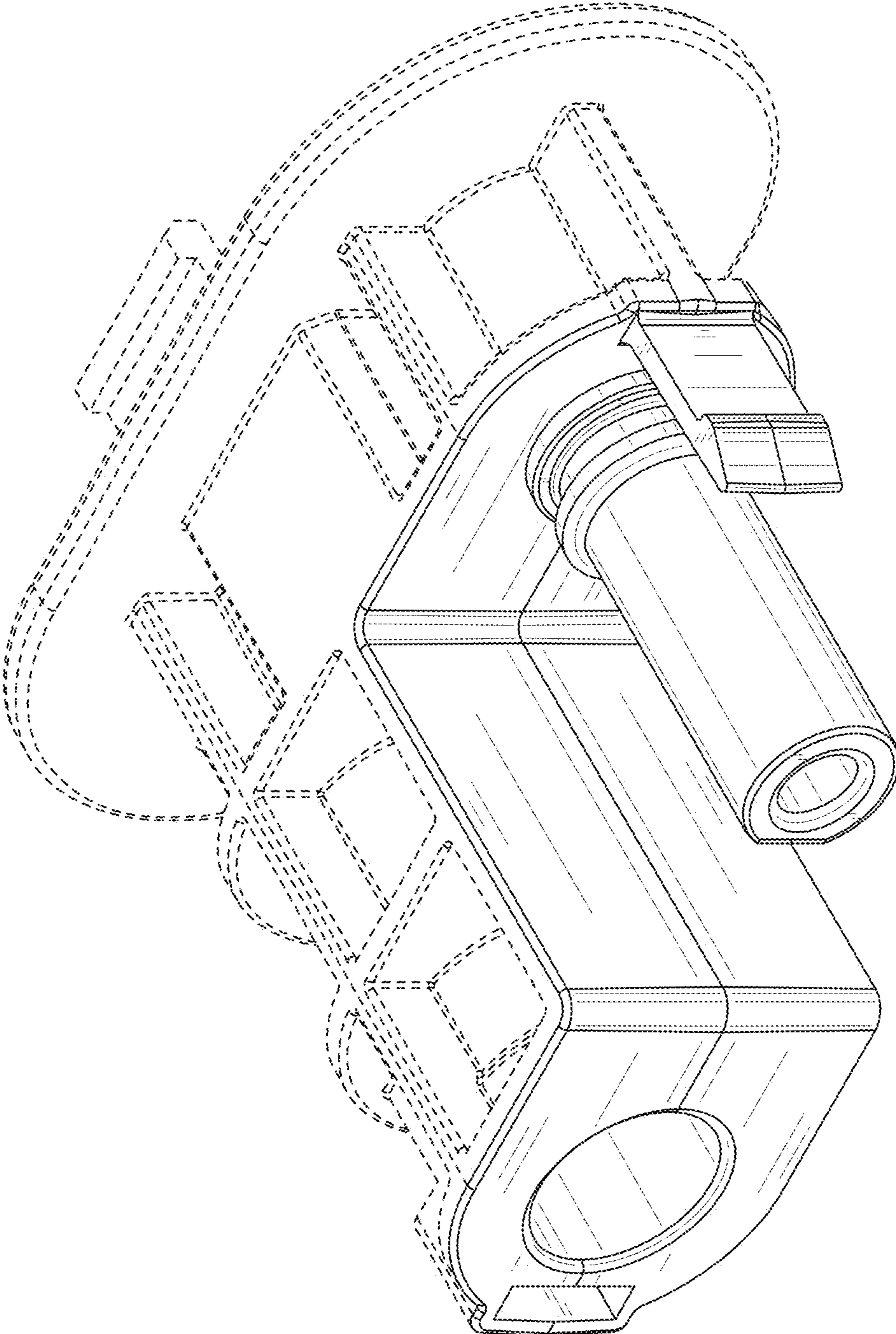


FIG. 1



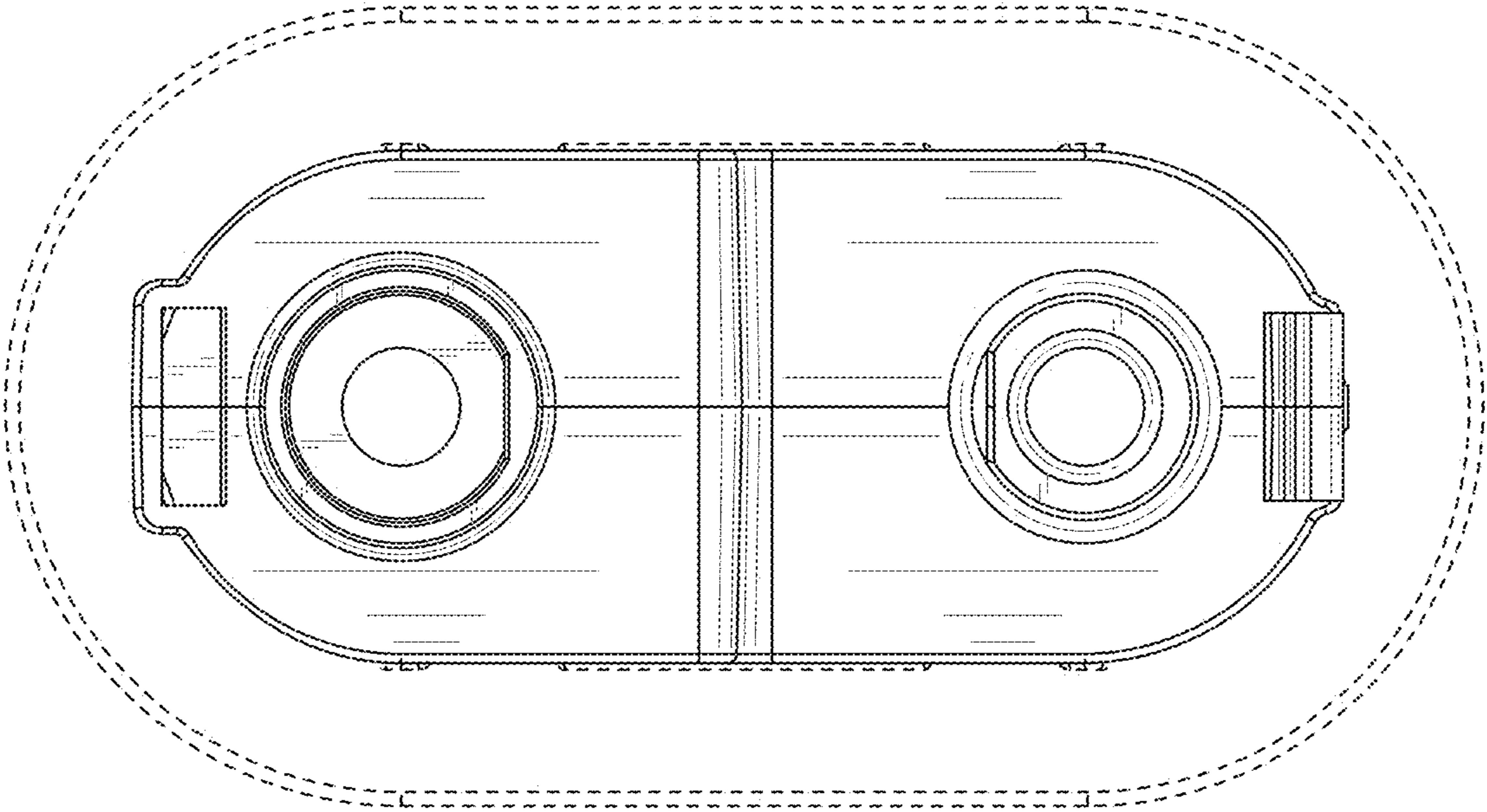


FIG. 2

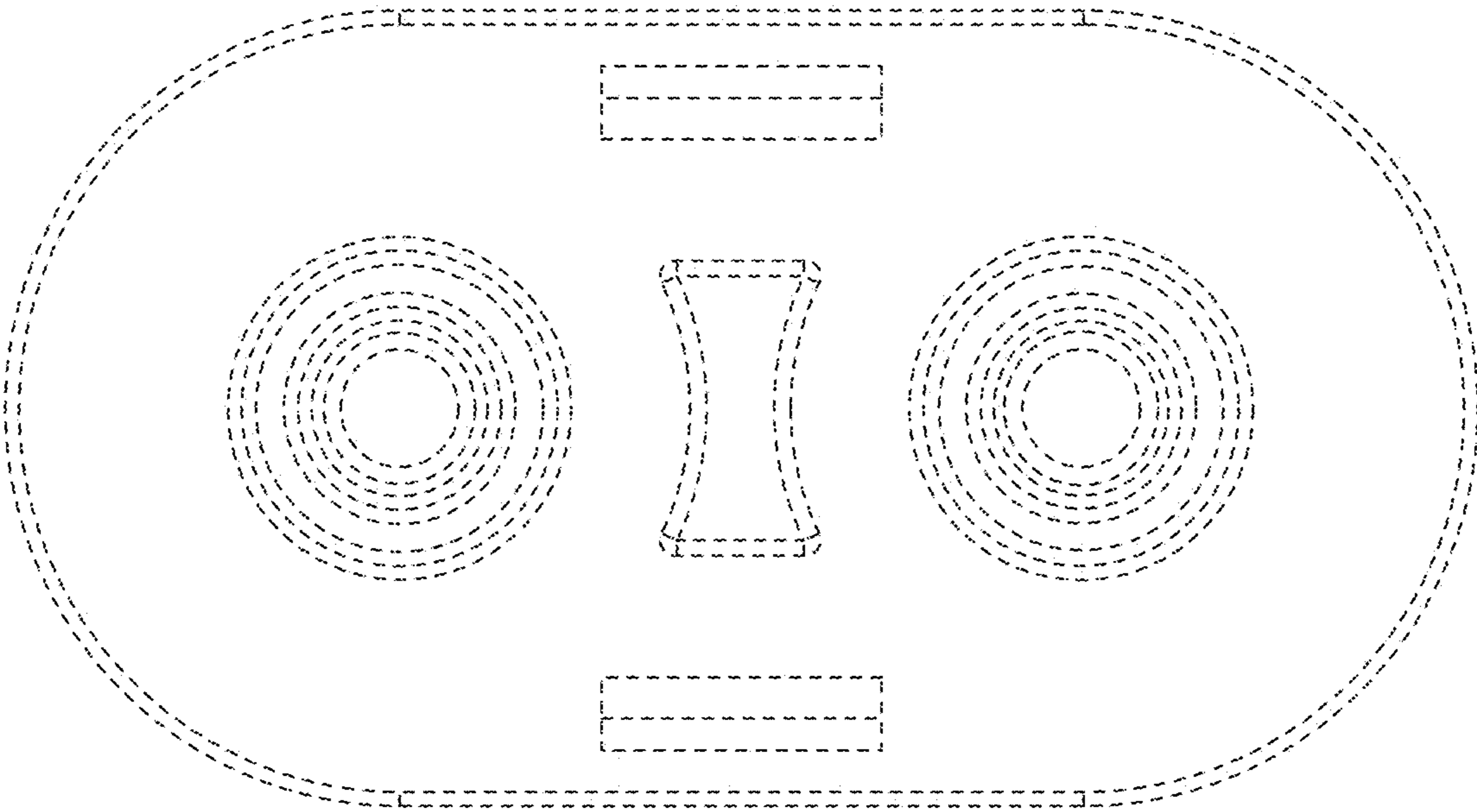


FIG. 3

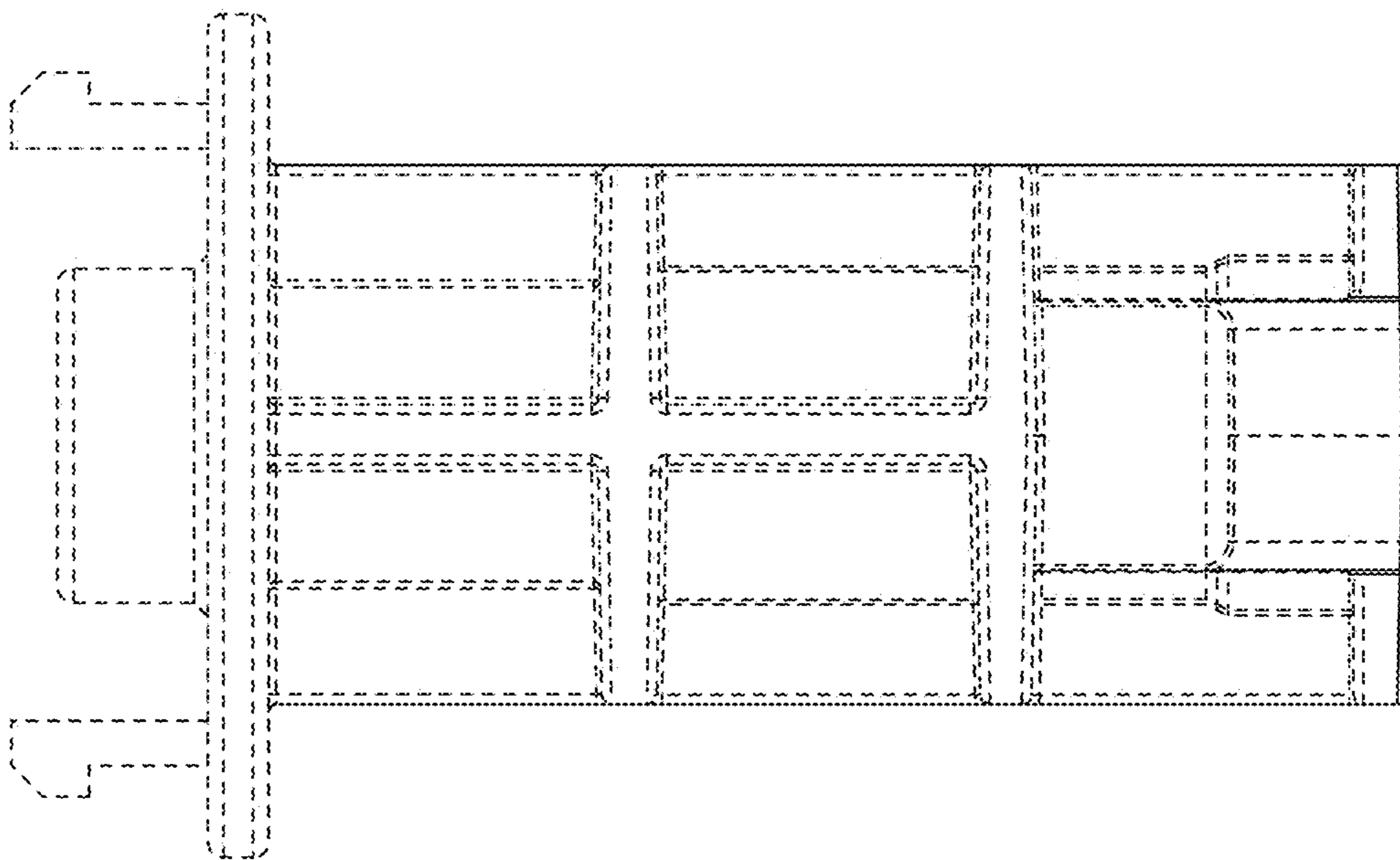


FIG. 4

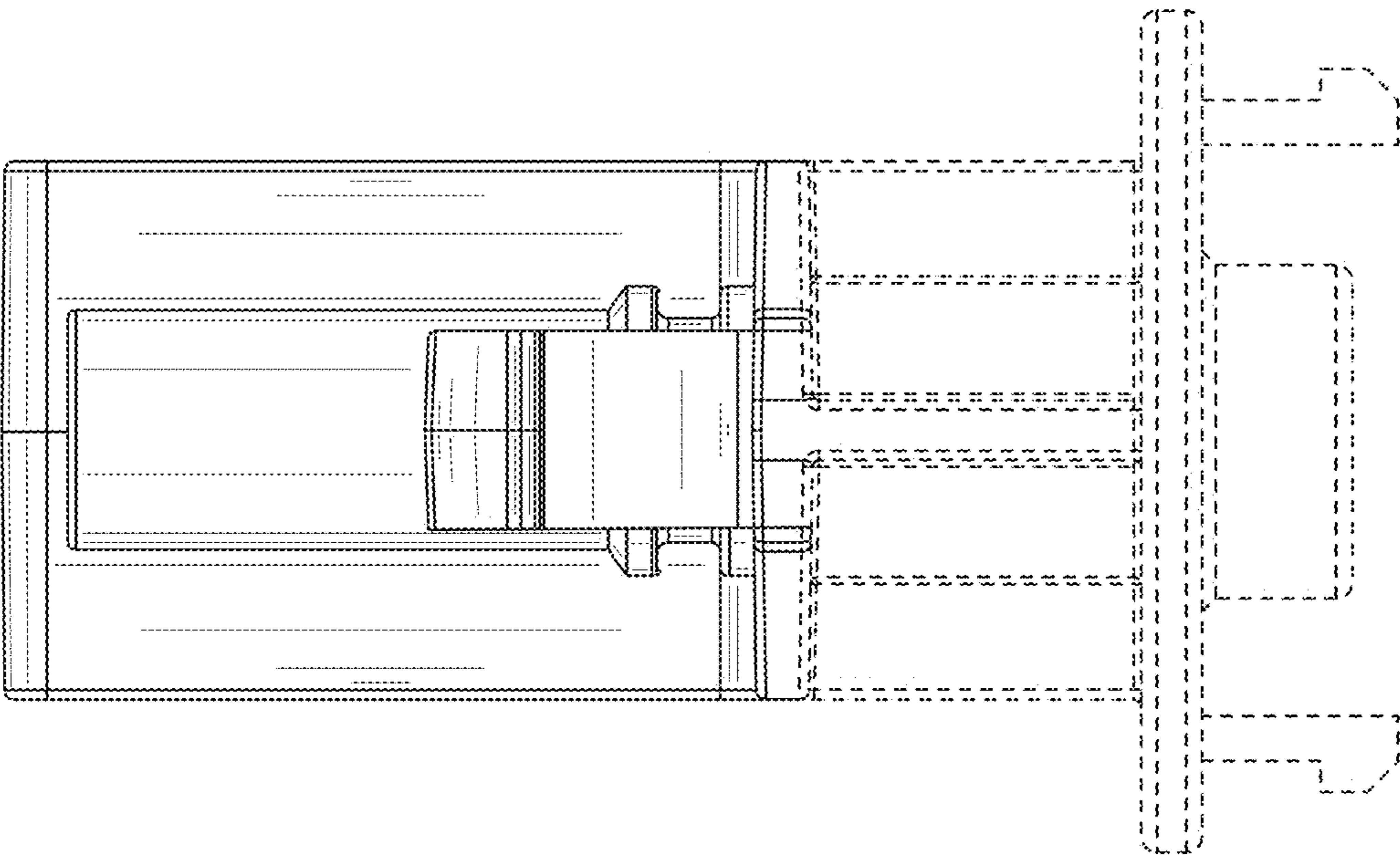


FIG. 5

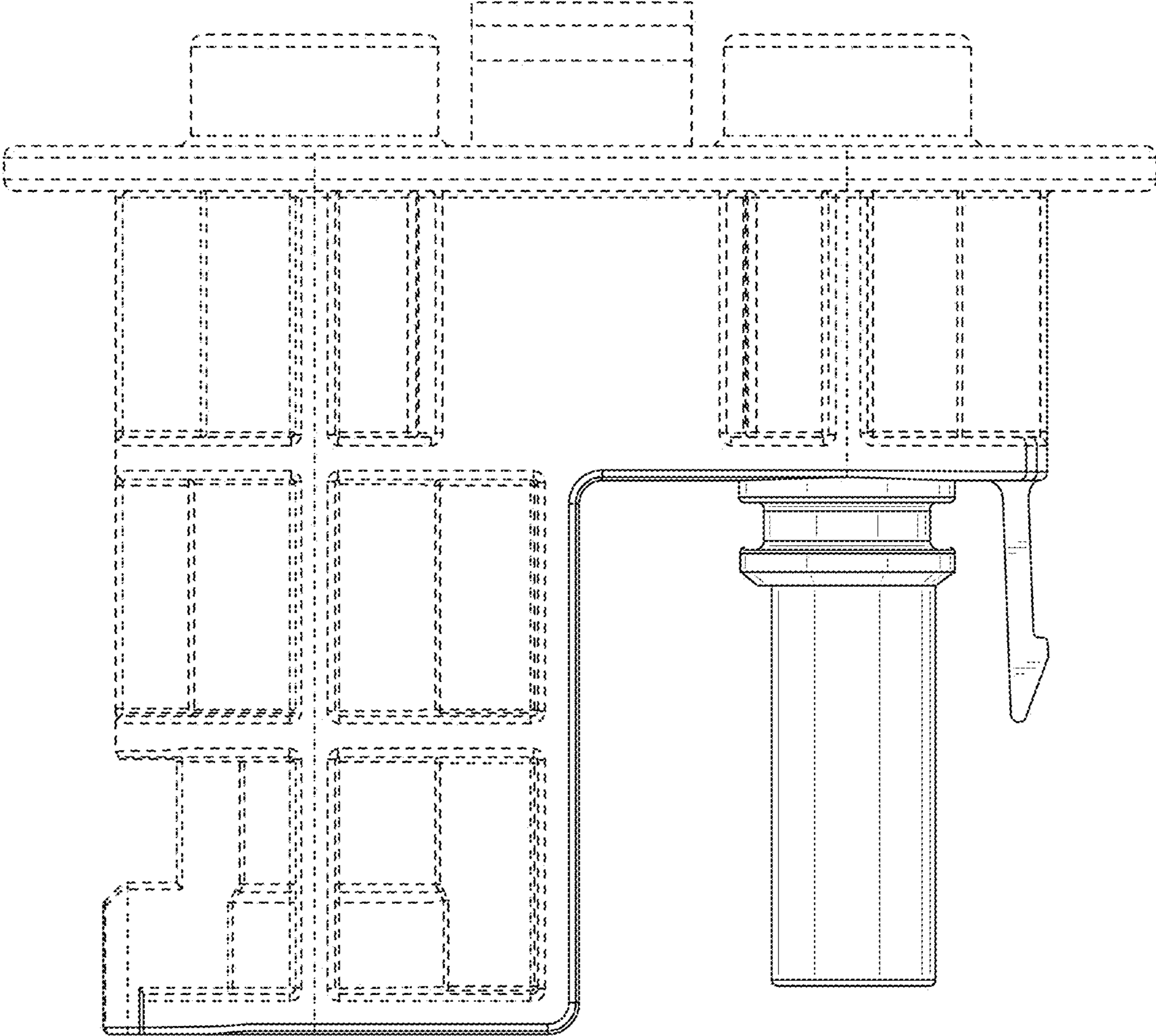


FIG. 6



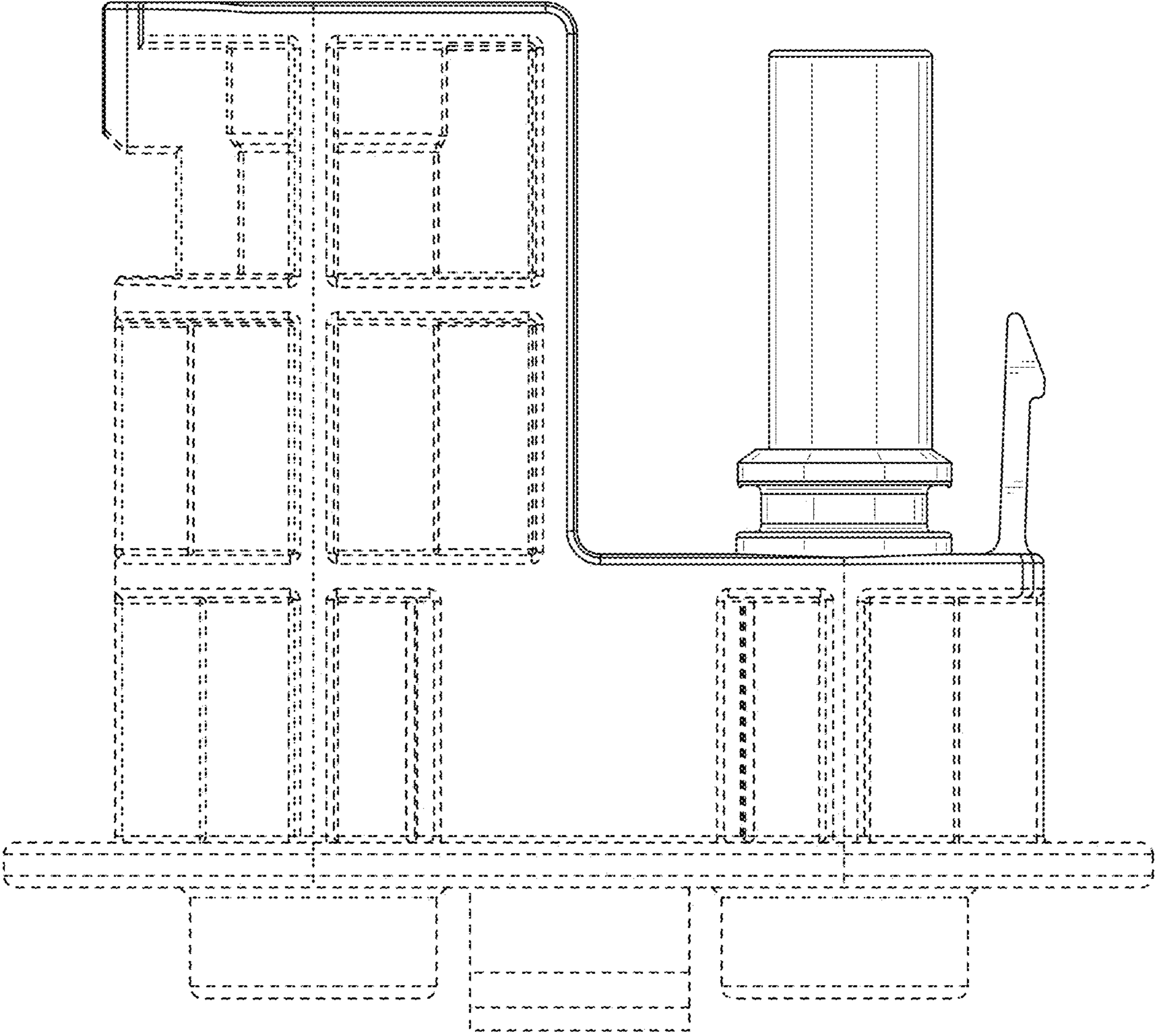


FIG. 7