



US00D974299S

(12) **United States Design Patent** (10) **Patent No.:** **US D974,299 S**
Ohse et al. (45) **Date of Patent:** **** Jan. 3, 2023**

(54) **INSULATION BLOCK** D663,046 S * 7/2012 Conterno D25/138
D729,416 S * 5/2015 Skjelbred D25/138
(71) Applicant: **Watlow Electric Manufacturing** D763,067 S 8/2016 Monsees
Company, St. Louis, MO (US) D788,705 S * 6/2017 Tateno D13/129

(72) Inventors: **Jeremy Ohse, St. Louis, MO (US);**
Eric Ellis, Columbia, MO (US)

(73) Assignee: **Watlow Electric Manufacturing**
Company, St. Louis, MO (US)

(**) Term: **15 Years**

(21) Appl. No.: **29/794,540**

(22) Filed: **Jun. 14, 2021**

(51) **LOC (14) Cl.** **13-03**

(52) **U.S. Cl.**
USPC **D13/129**

(58) **Field of Classification Search**
USPC D13/129; D25/116, 138, 158; D14/213,
D14/214

CPC H01L 21/044; E04B 1/62; E04B 1/8404;
E04B 1/8414; E04B 1/88; E04B 1/8457;
E04B 1/99; E04B 1/8409; E04B 1/90;
E04B 1/82; E04B 1/84

See application file for complete search history.

(56) **References Cited**

U.S. PATENT DOCUMENTS

D305,365 S * 1/1990 Sakata D25/138
5,193,318 A * 3/1993 D'Antonio E04B 2/48
52/144
5,196,907 A * 3/1993 Birkle H01L 29/51
257/E21.048
5,551,198 A * 9/1996 Schaaf E01F 8/023
52/607
5,714,738 A 2/1998 Hauschulz et al.
D582,344 S * 12/2008 Colopy D13/129

FOREIGN PATENT DOCUMENTS

CN 304984668 S 1/2019
CN 305234783 S 6/2019
CN 305641070 S 3/2020
CN 306105043 S 10/2020
JP 1667592 S 9/2020
WO 2007019564 A2 2/2007

OTHER PUBLICATIONS

Search Report issued in corresponding TW Application No. 110306770,
completed May 18, 2022, English Translation, 1 page.
International Search Report from corresponding International Appli-
cation No. PCT/US2021/037174, dated Oct. 5, 2021, 10 pages.

* cited by examiner

Primary Examiner — Doris Clark
(74) *Attorney, Agent, or Firm* — Burriss Law, PLLC

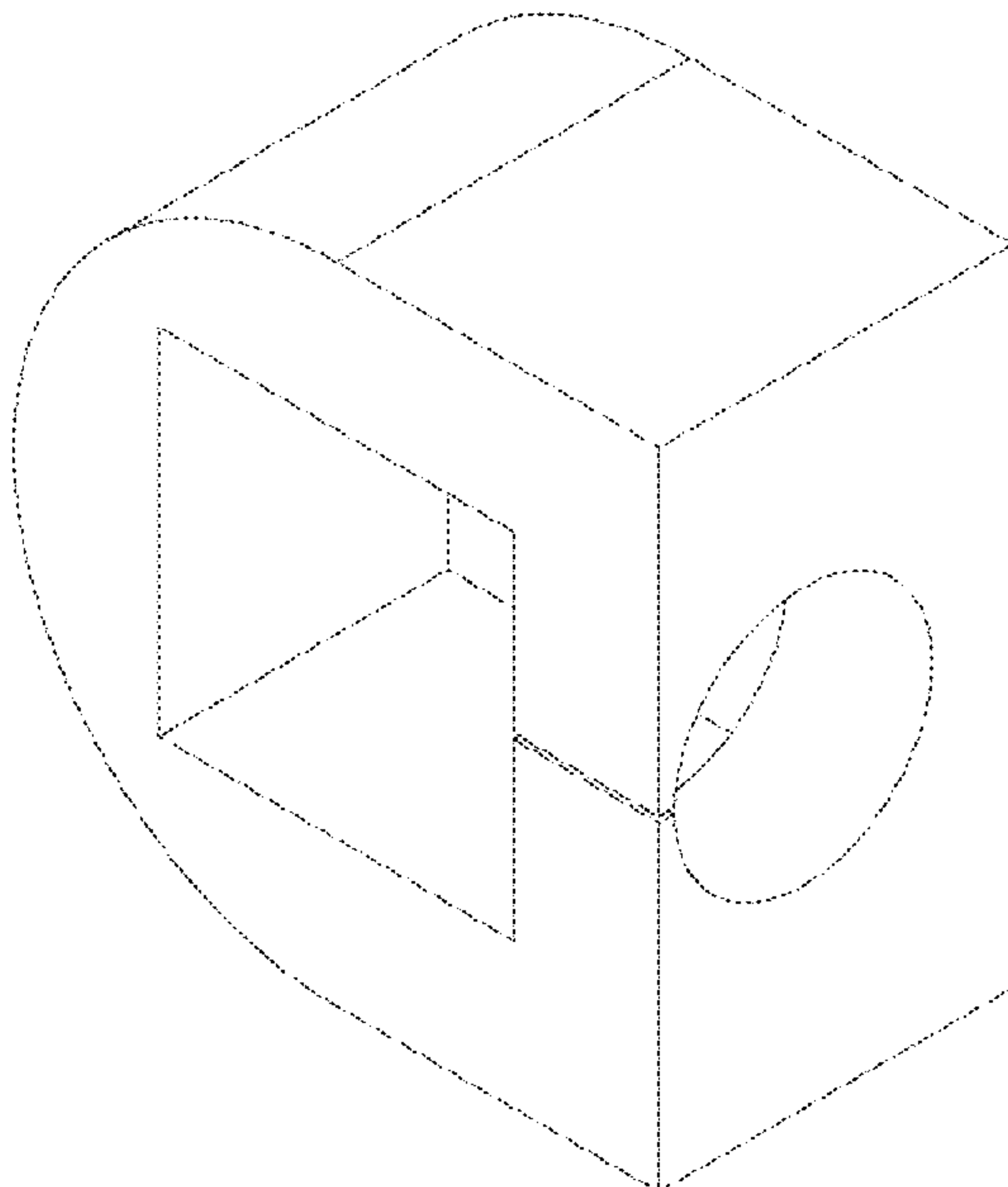
(57) **CLAIM**

The ornamental design for an insulation block, as shown and
described.

DESCRIPTION

FIG. 1 is a top perspective view of the insulation block;
FIG. 2 is another top perspective view thereof;
FIG. 3 is left side view thereof;
FIG. 4 is a right side view thereof;
FIG. 5 is a bottom perspective view thereof;
FIG. 6 is another bottom perspective view thereof;
FIG. 7 is a front view thereof;
FIG. 8 is a top view thereof; and,
FIG. 9 is a bottom view thereof.

1 Claim, 4 Drawing Sheets



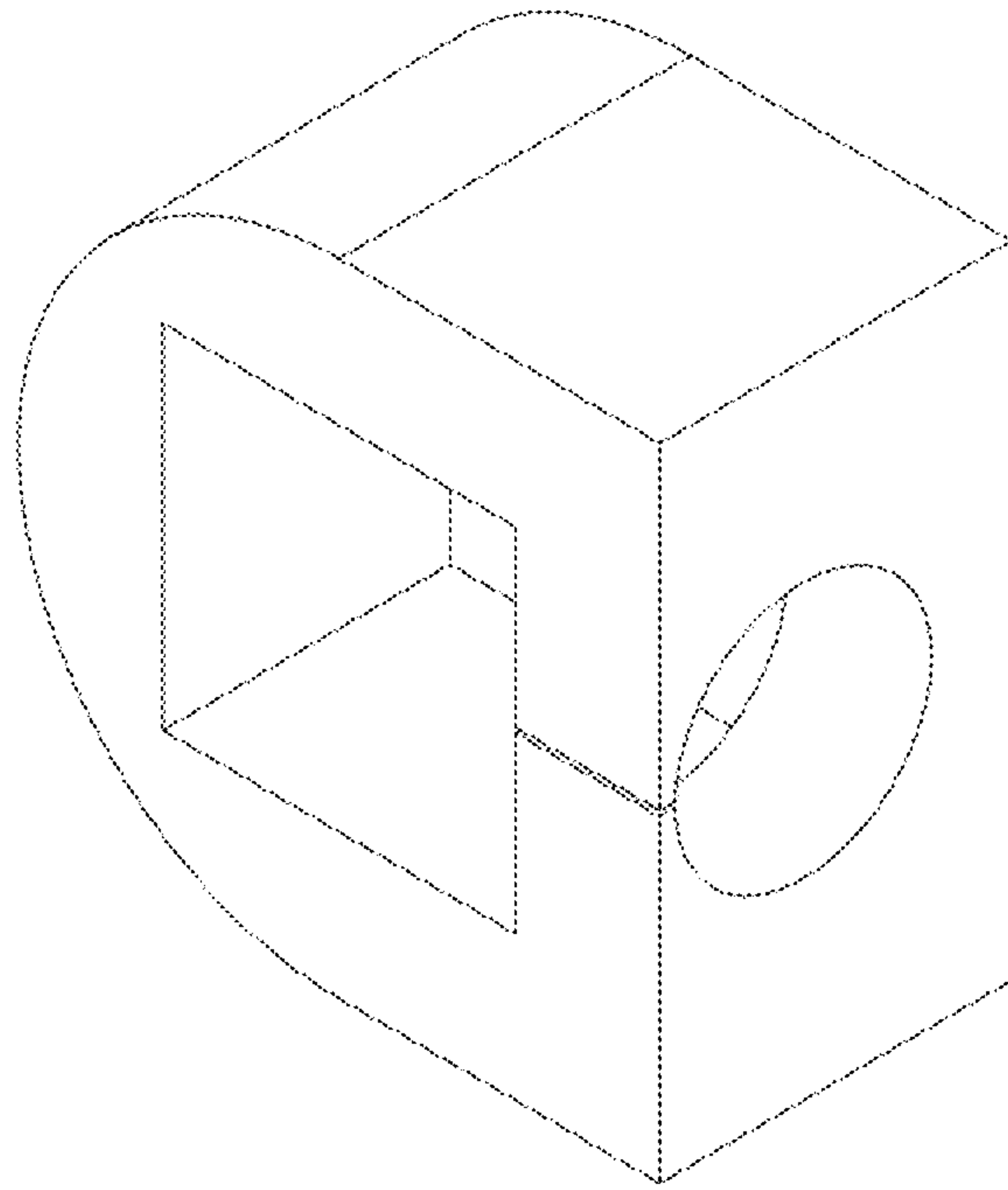


FIG. 1

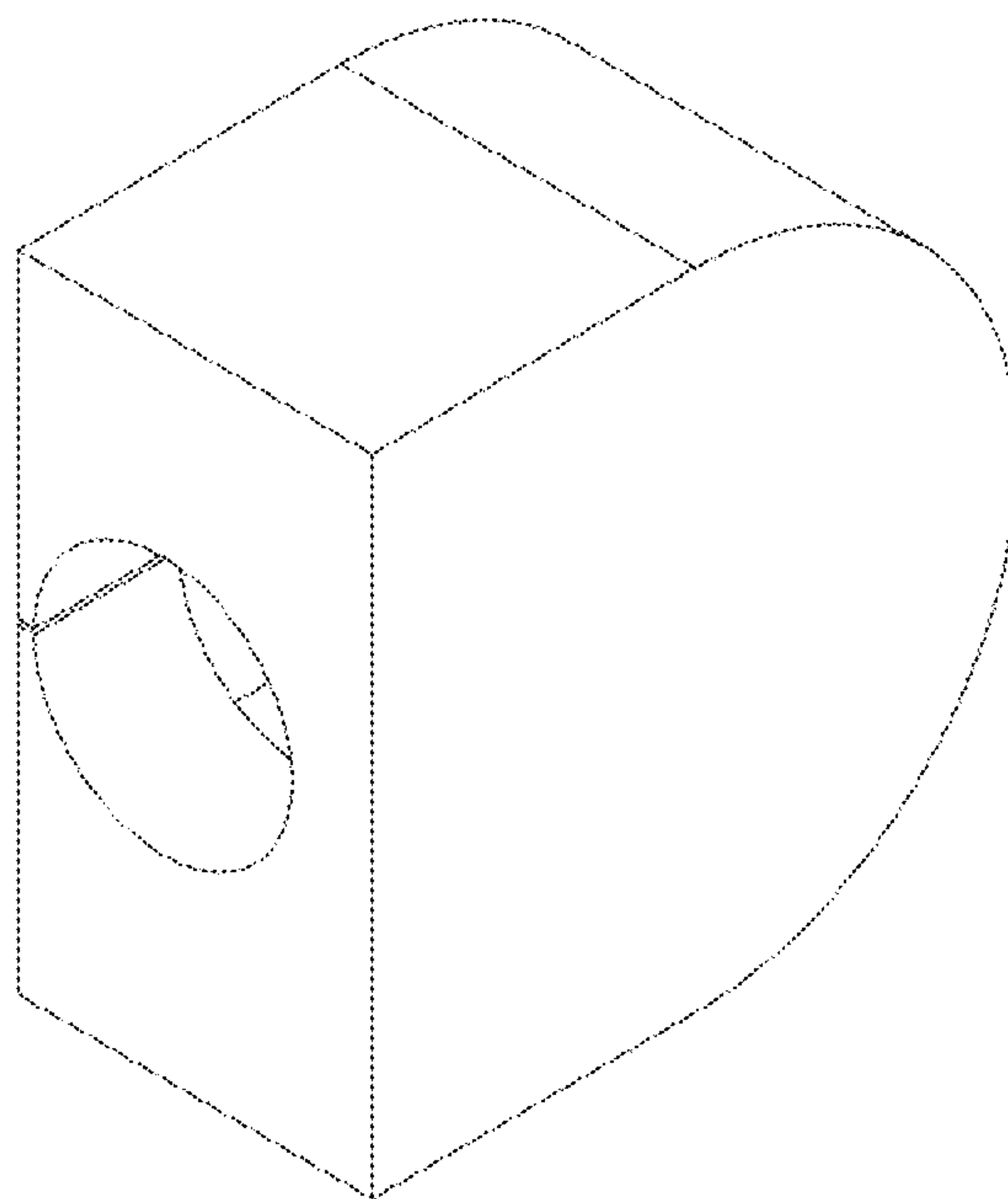


FIG. 2

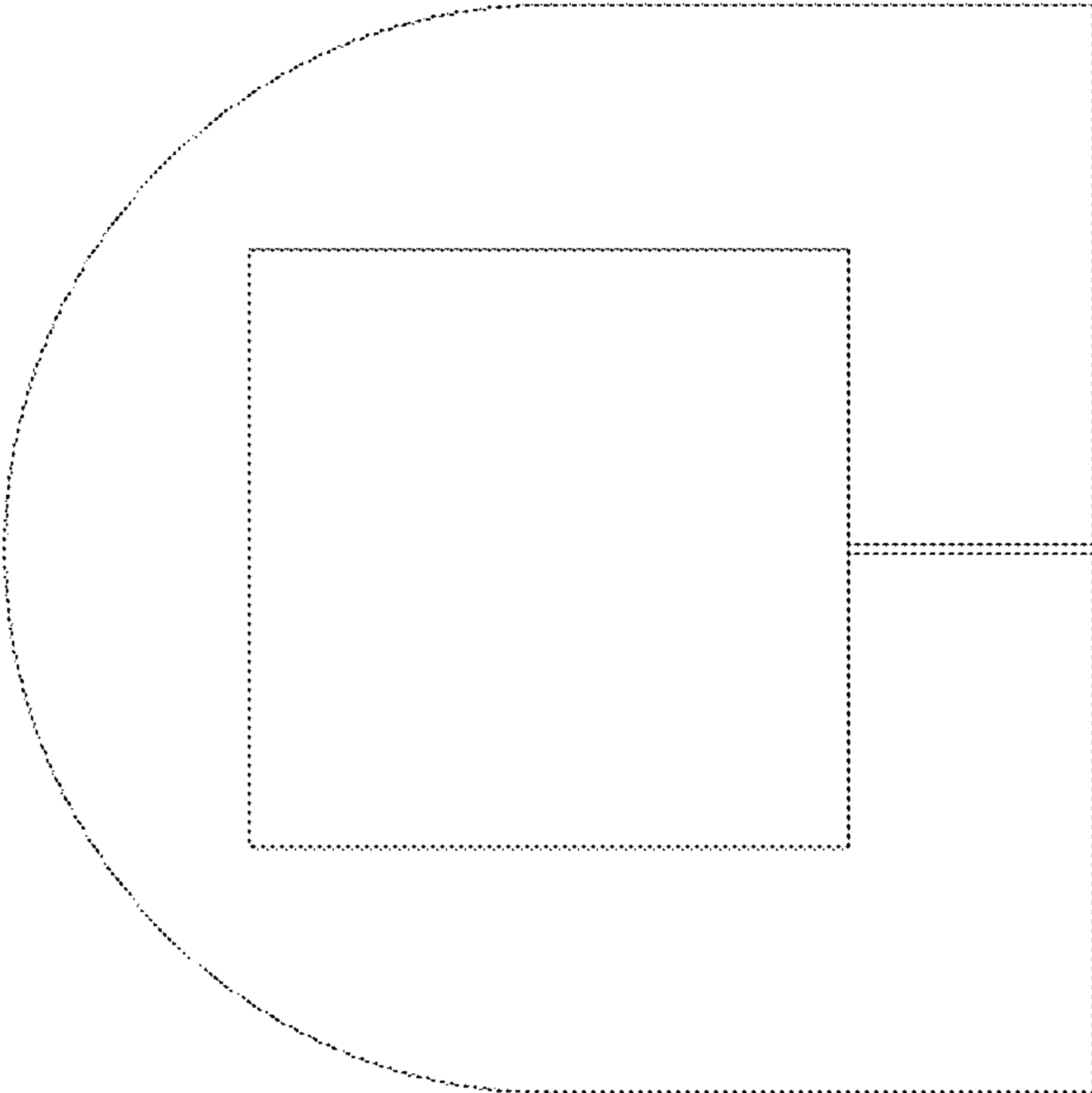


FIG. 3

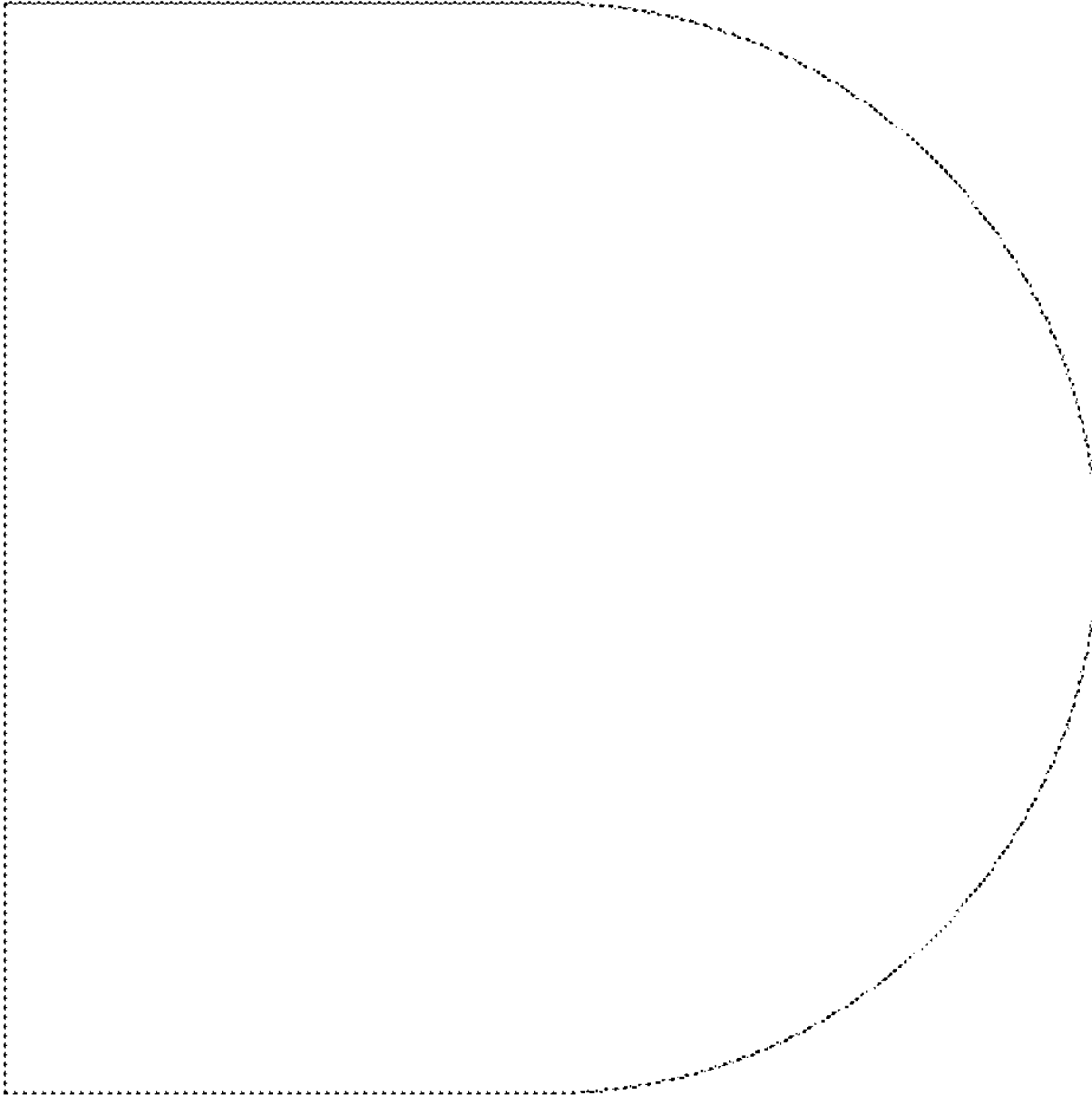


FIG. 4

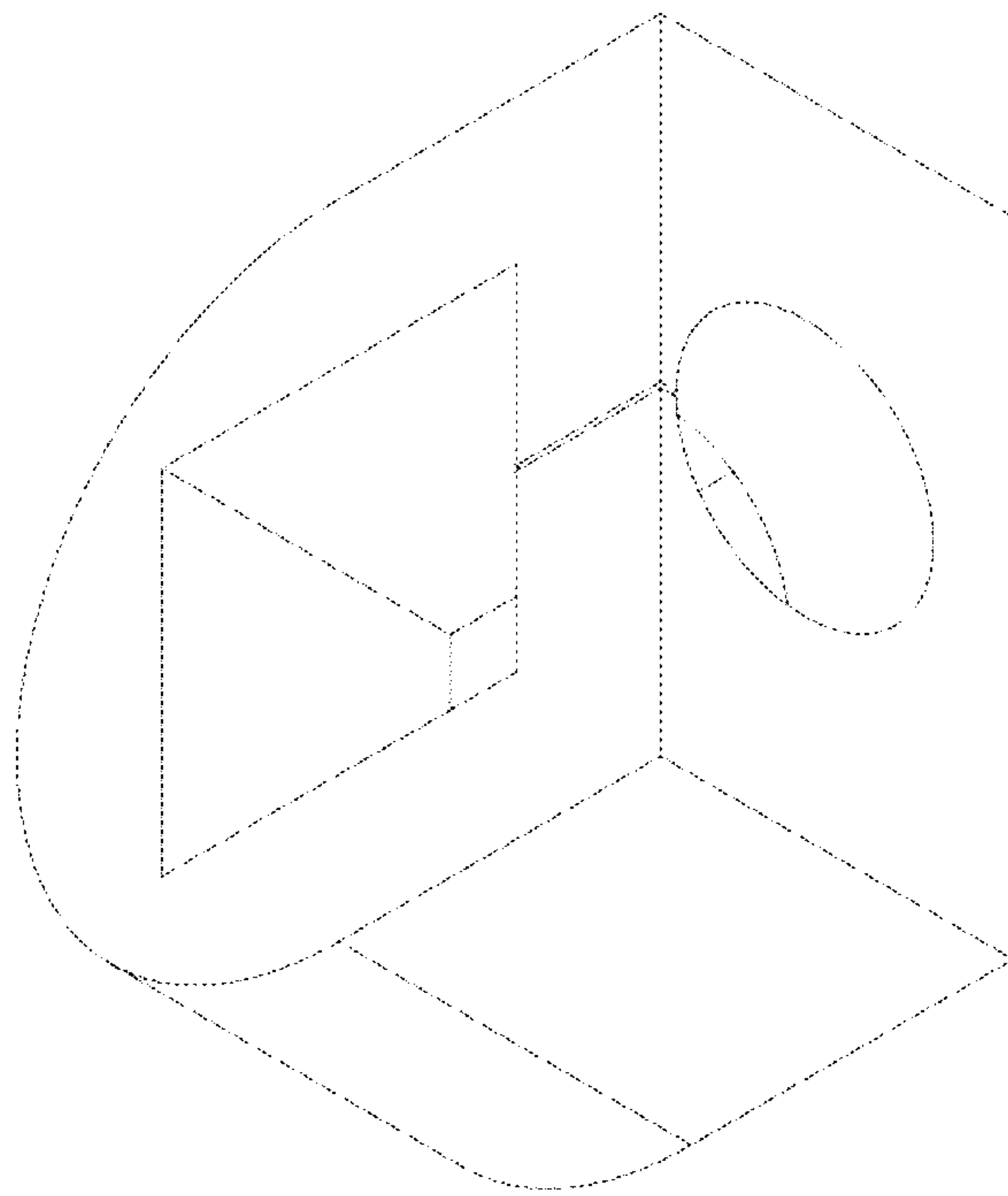


FIG. 5

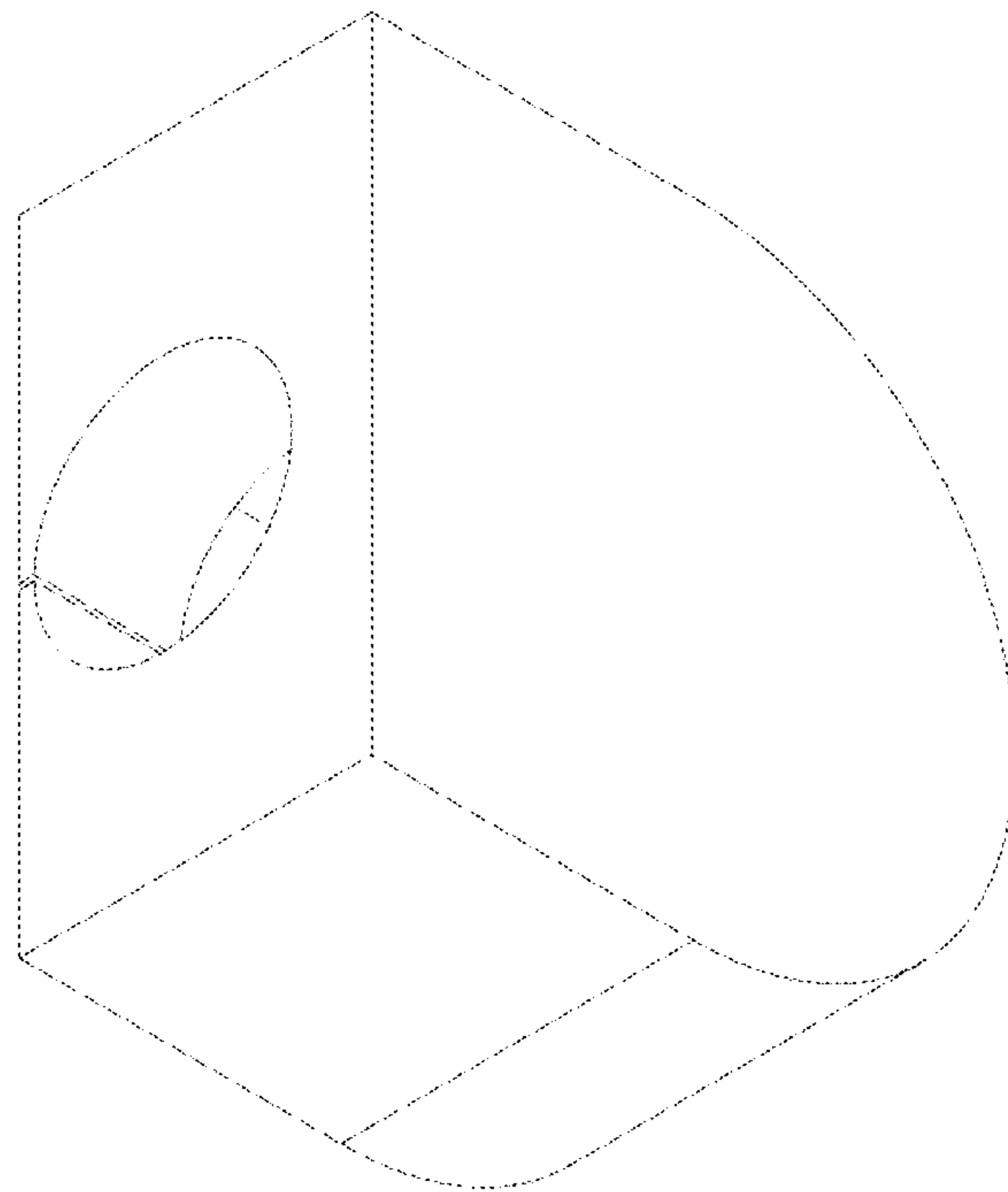


FIG. 6

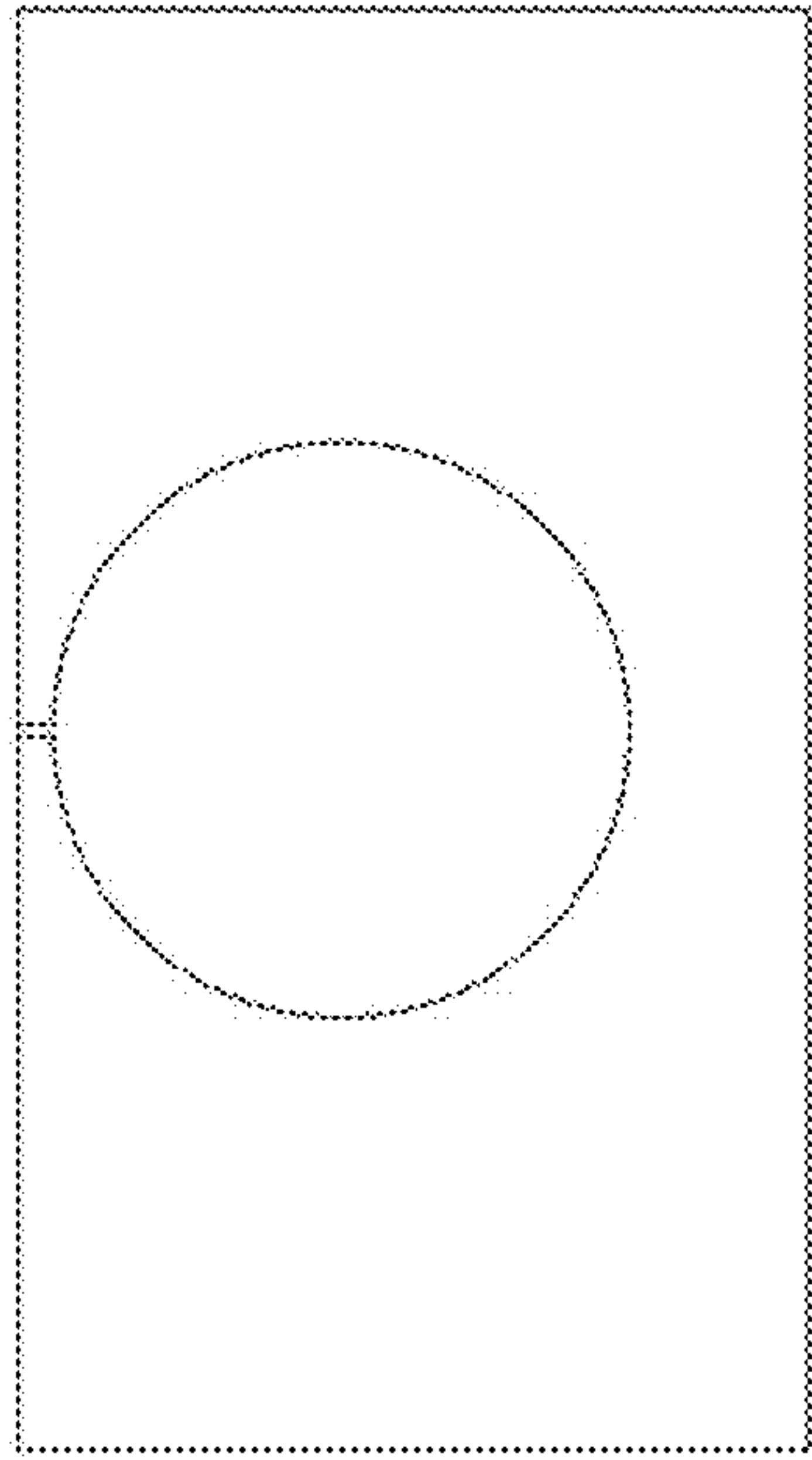


FIG. 7

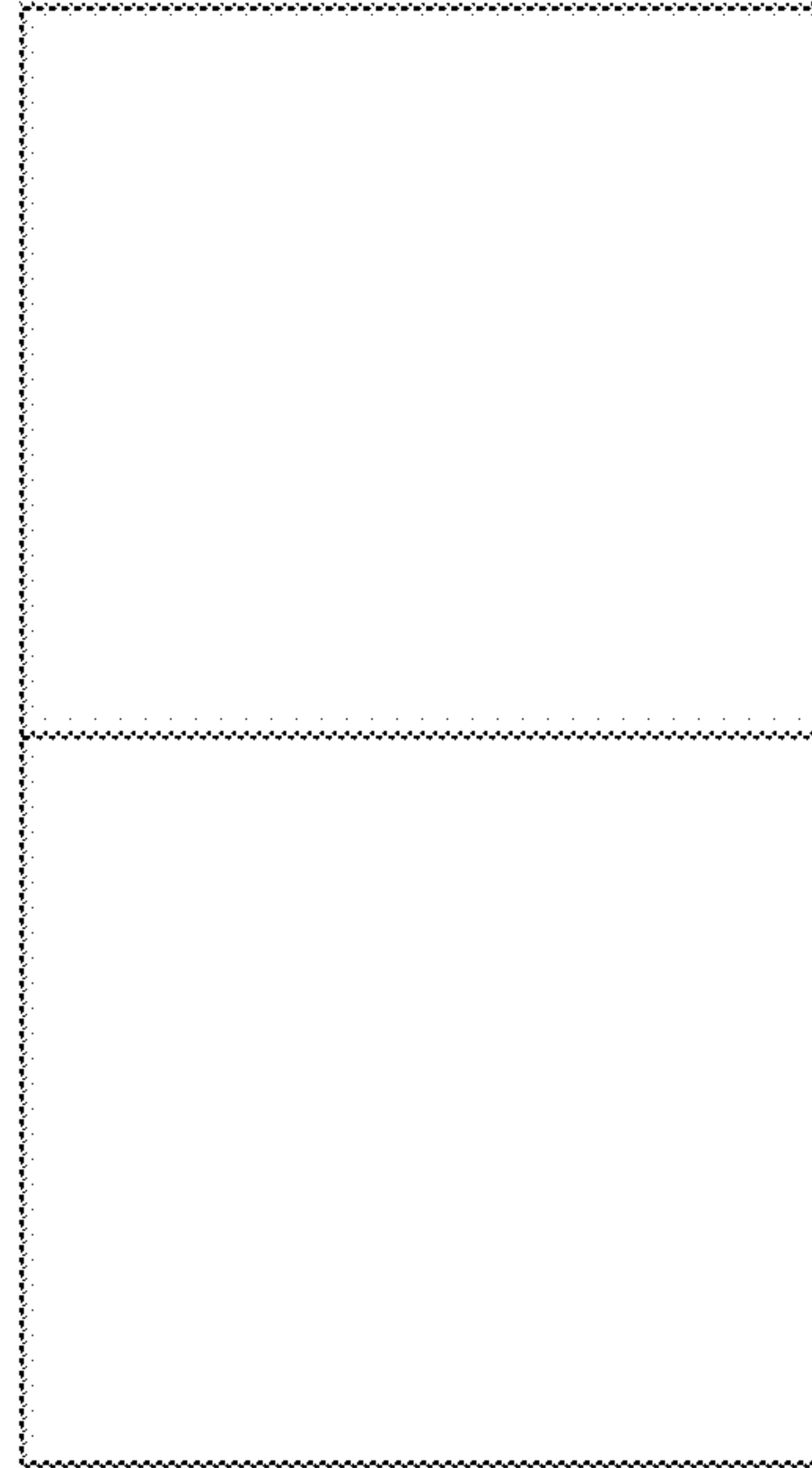


FIG. 8

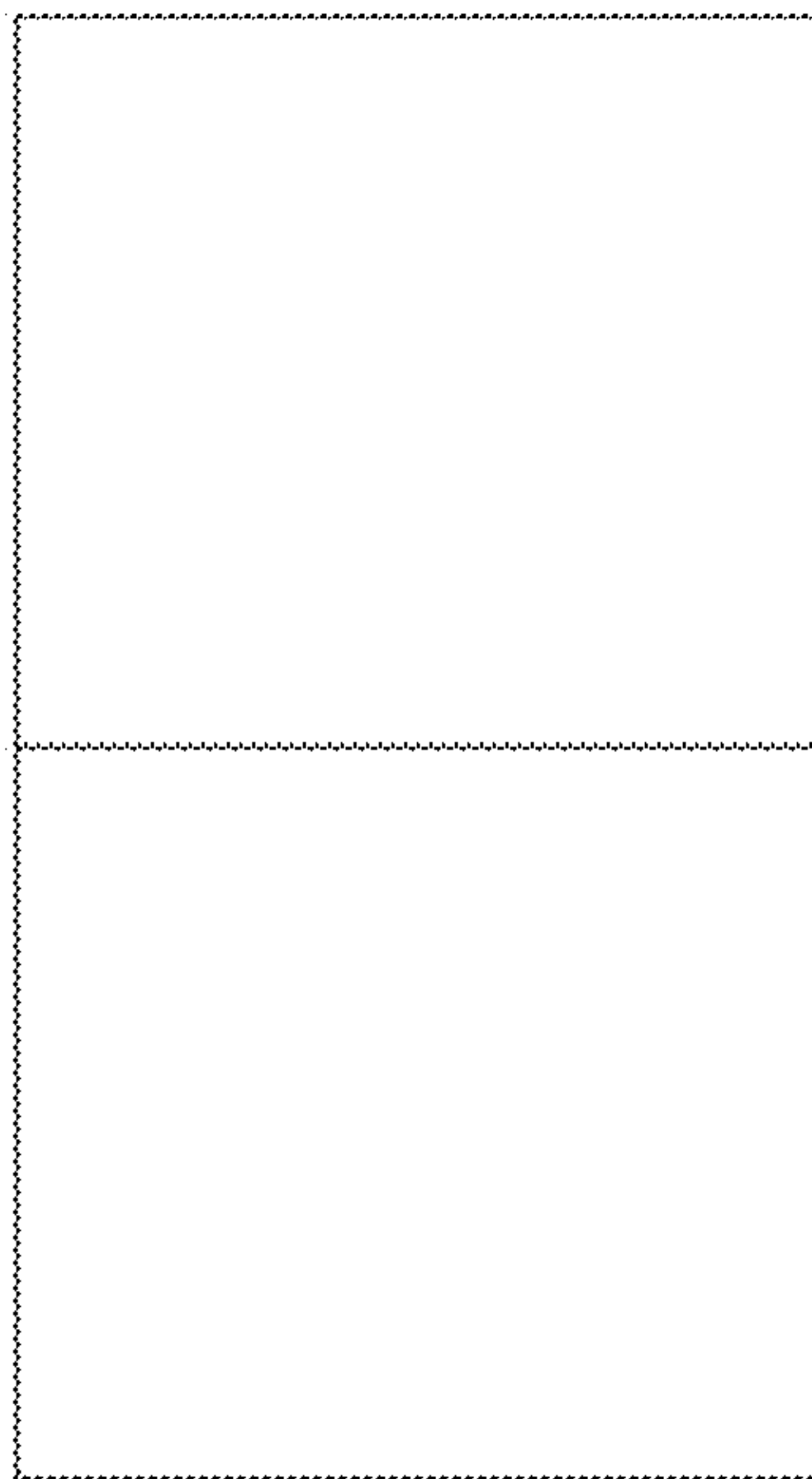


FIG. 9