



US00D974298S

(12) **United States Design Patent**  
**Leng et al.**

(10) **Patent No.:** **US D974,298 S**  
(45) **Date of Patent:** **\*\* Jan. 3, 2023**

- (54) **PORTABLE POWER SUPPLY**
- (71) Applicant: **Shenzhen Yizu E-Commerce Co., Ltd.**, Shenzhen (CN)
- (72) Inventors: **Xiaowei Leng**, Xiaogan (CN); **Zhiping Zhou**, Fuzhou (CN)
- (73) Assignee: **Shenzhen Yizu E-Commerce Co., Ltd.**, Shenzhen (CN)
- (\*\*) Term: **15 Years**
- (21) Appl. No.: **29/848,328**
- (22) Filed: **Aug. 1, 2022**
- (51) **LOC (14) Cl.** ..... **13-02**
- (52) **U.S. Cl.**  
USPC ..... **D13/110**
- (58) **Field of Classification Search**  
USPC ..... D13/101, 102, 103, 107, 108, 110, 118,  
D13/119, 123, 184, 199; D14/251, 253,  
D14/432, 434  
CPC .. H02J 7/00; H02J 7/027; H02J 7/0042; H02J  
7/0045; H02J 7/0047; H02J 7/0063; H02J  
7/32; H02J 7/1423; H02M 7/00; H02M  
7/003; H01M 2/202; H01M 2/204; H01M  
2/1022; H01M 2/342; H05K 5/0247;  
Y02T 10/7005; Y02T 10/705; Y02T  
10/7088  
See application file for complete search history.

- D897,283 S 9/2020 Sun et al.
- D900,022 S \* 10/2020 Bell ..... D13/103
- D914,597 S \* 3/2021 Tachibana ..... D13/110
- D916,006 S \* 4/2021 Leitner ..... D13/110
- D920,246 S \* 5/2021 Tachibana ..... D13/110
- D936,003 S \* 11/2021 Li ..... D13/110
- D937,207 S \* 11/2021 Zhen ..... D13/103

\* cited by examiner

*Primary Examiner* — Derrick E Holland  
(74) *Attorney, Agent, or Firm* — Jeenam Park

(57) **CLAIM**

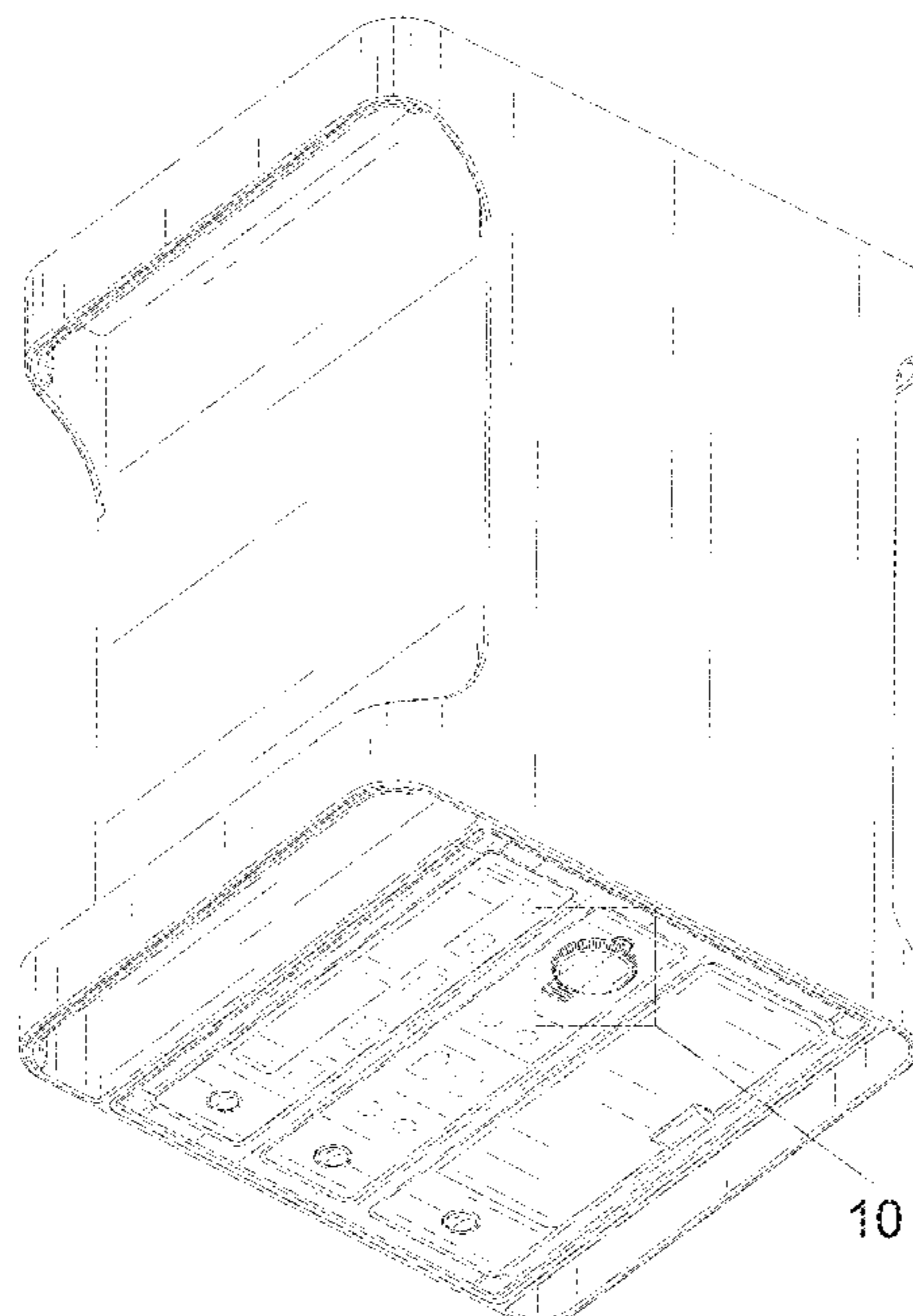
The ornamental design for a portable power supply, as shown and described.

**DESCRIPTION**

FIG. 1 is a perspective view of a portable power supply, showing our new design;  
 FIG. 2 is a perspective view with the bottom cover opened thereof;  
 FIG. 3 is another perspective view thereof;  
 FIG. 4 is a front view thereof;  
 FIG. 5 is a rear view thereof;  
 FIG. 6 is a left side view thereof;  
 FIG. 7 is a right side view thereof;  
 FIG. 8 is a top plan view thereof; and  
 FIG. 9 is a bottom plan view thereof.  
 FIG. 10 is an enlarged view of a portion of FIG. 1 thereof; and,  
 FIG. 11 is another perspective view with the bottom cover opened thereof.  
 The broken lines shown in the drawings illustrate portions of the portable power supply that form no part of the claimed design.  
 The dot-dash broken lines define the bounds of the claimed design and form no part thereof.

- (56) **References Cited**  
U.S. PATENT DOCUMENTS  
D423,451 S \* 4/2000 Heckenast ..... D13/110  
D456,006 S \* 4/2002 Maher ..... D13/110  
D664,499 S \* 7/2012 Workman ..... D13/107  
D890,089 S \* 7/2020 Yin ..... D13/103

**1 Claim, 11 Drawing Sheets**



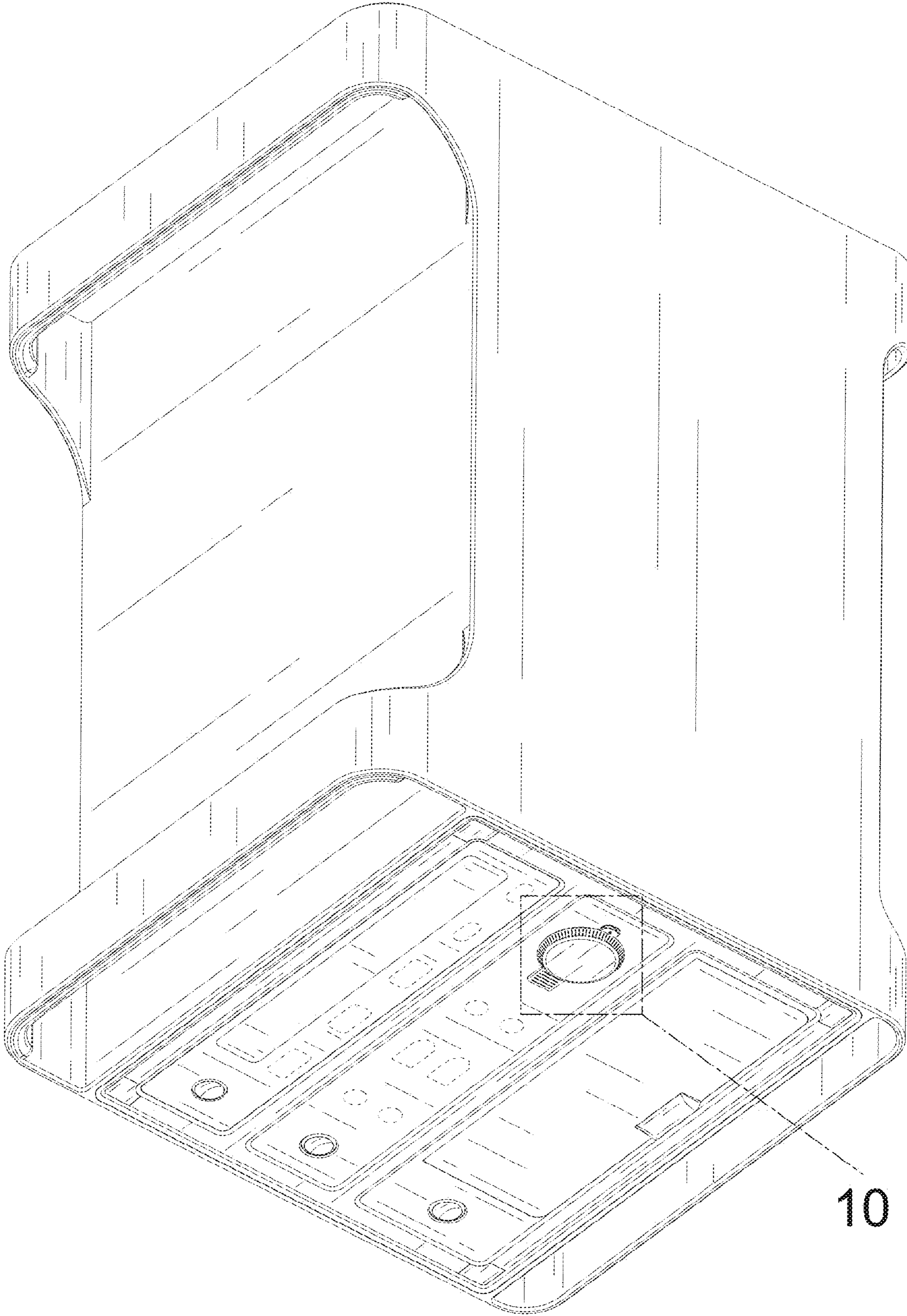


FIG. 1

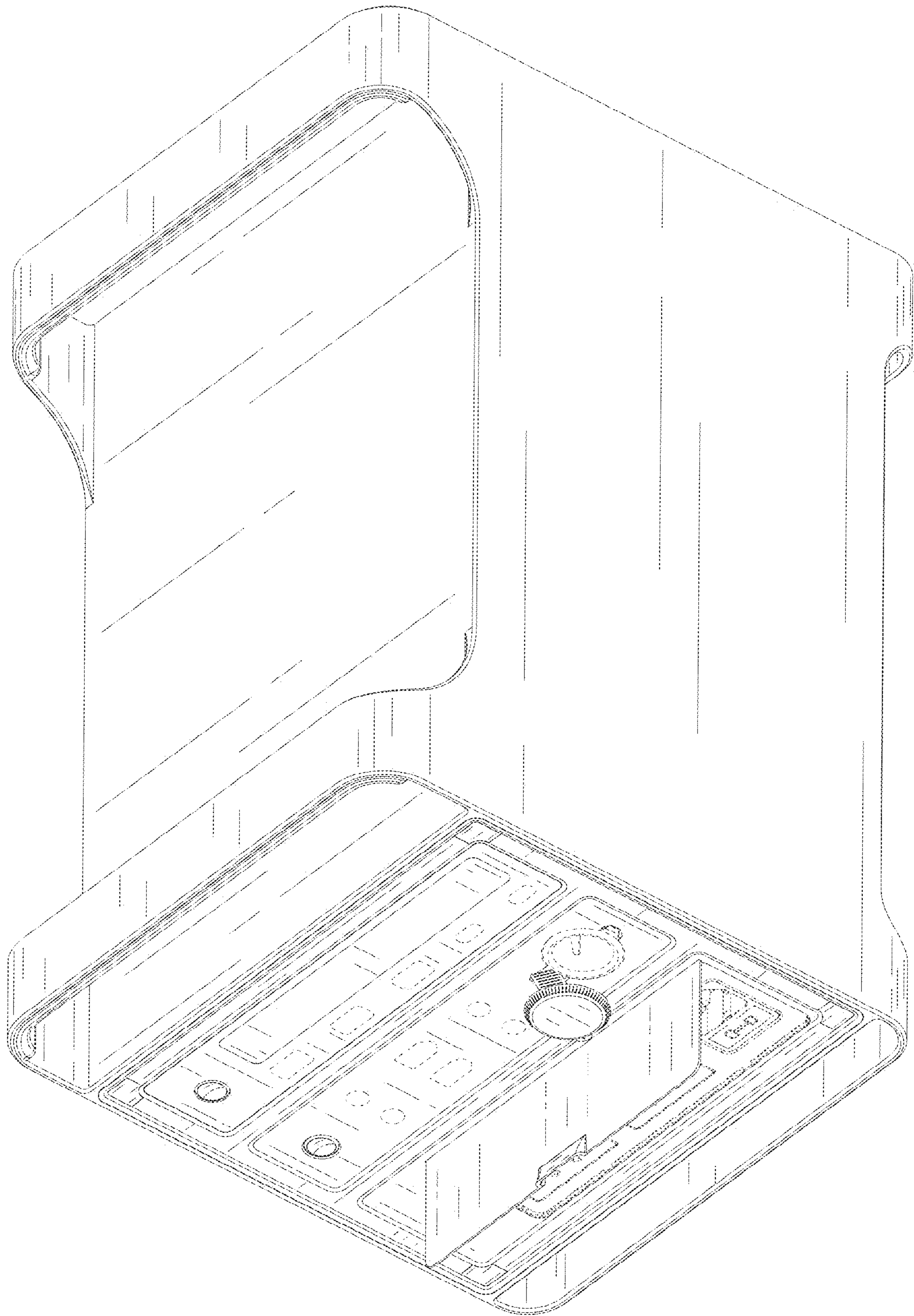


FIG. 2

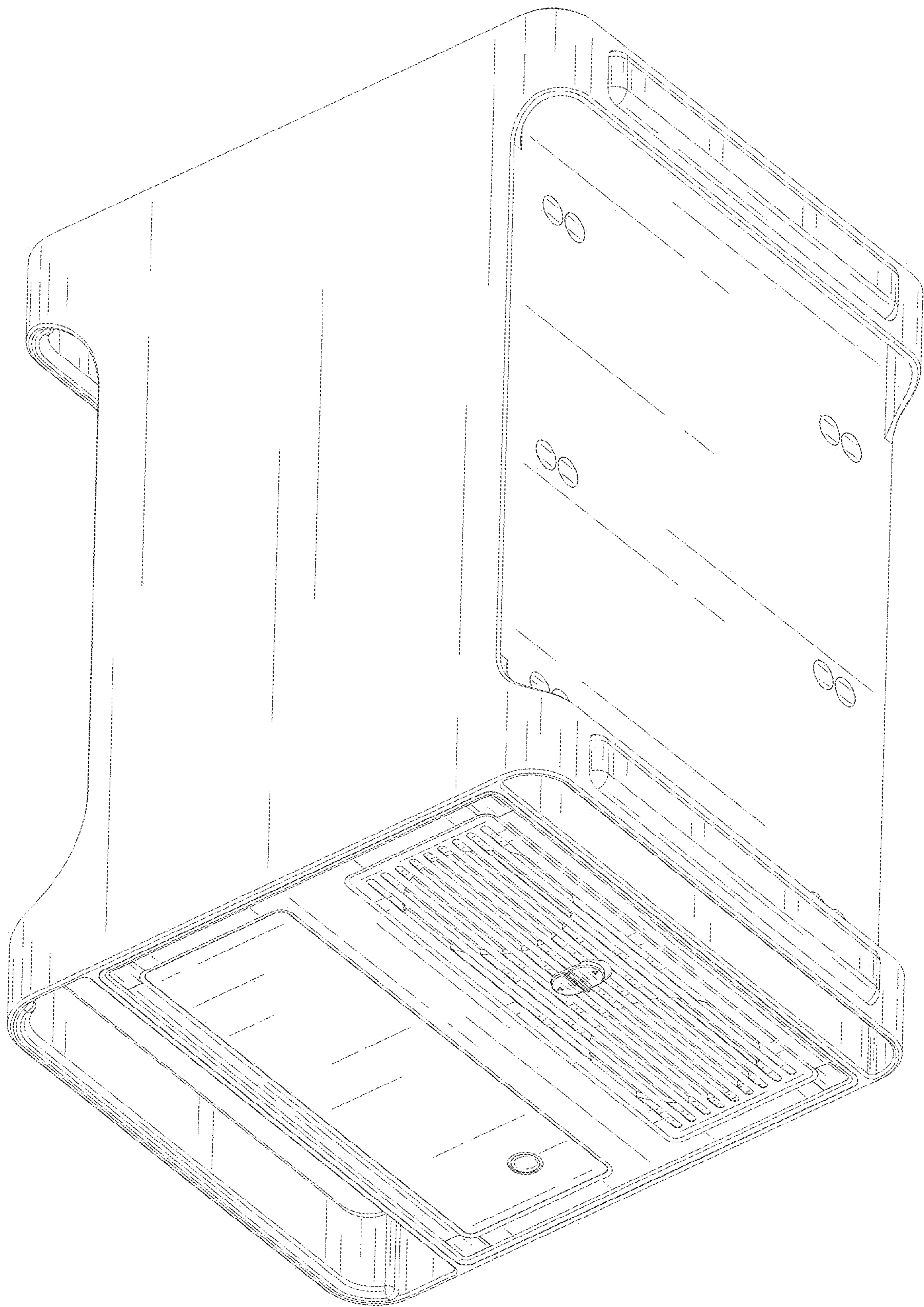


FIG. 3

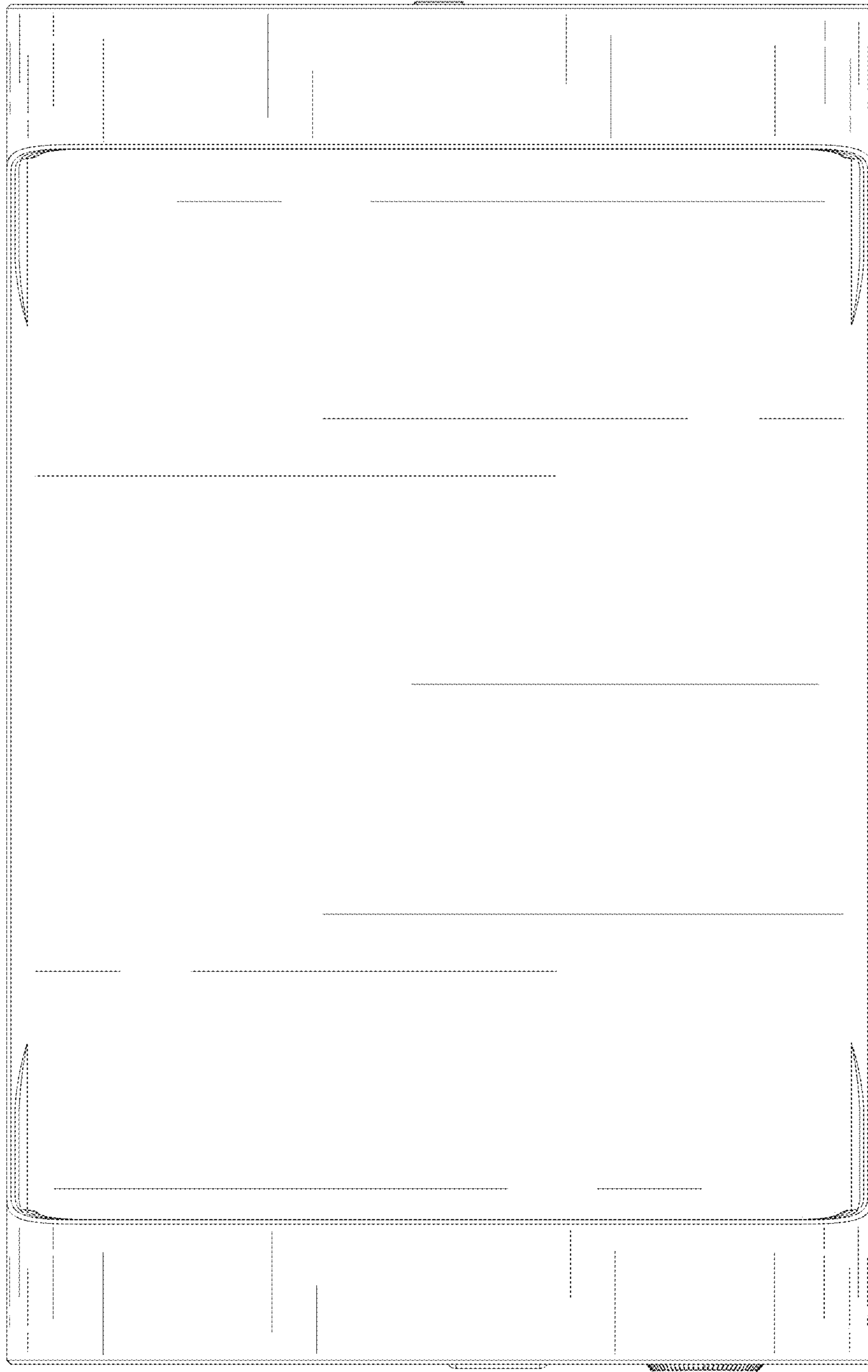


FIG. 4

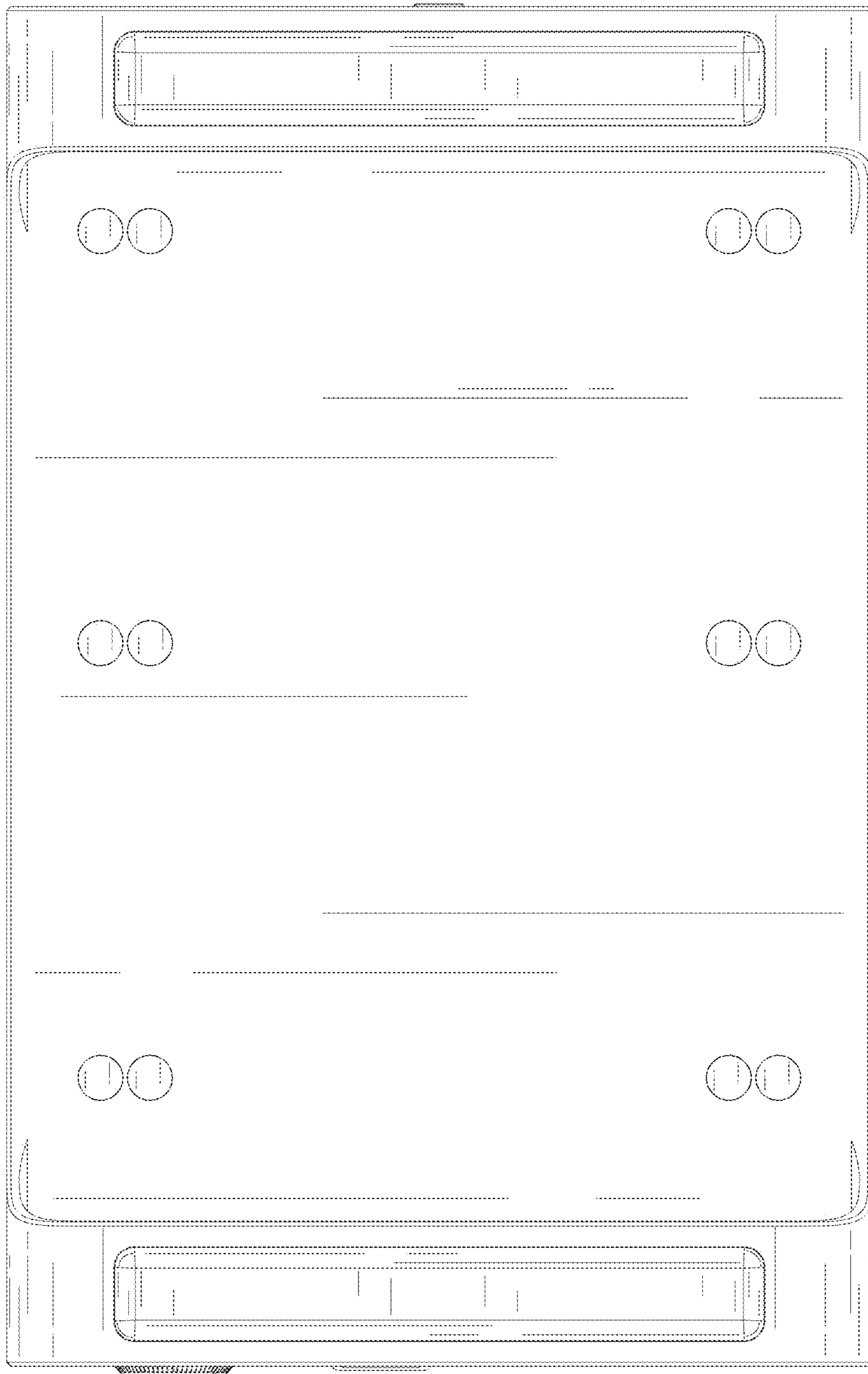


FIG. 5

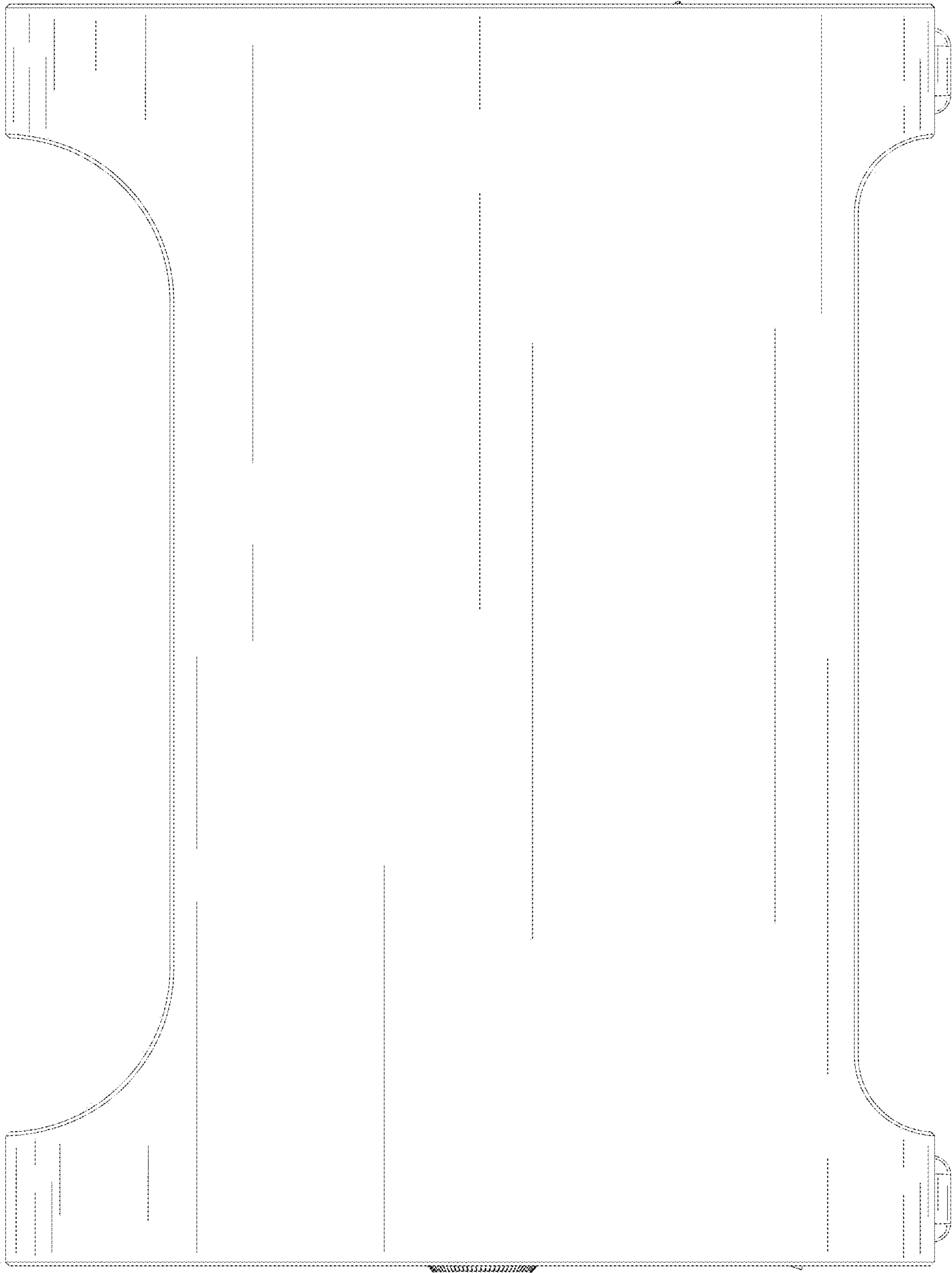


FIG. 6

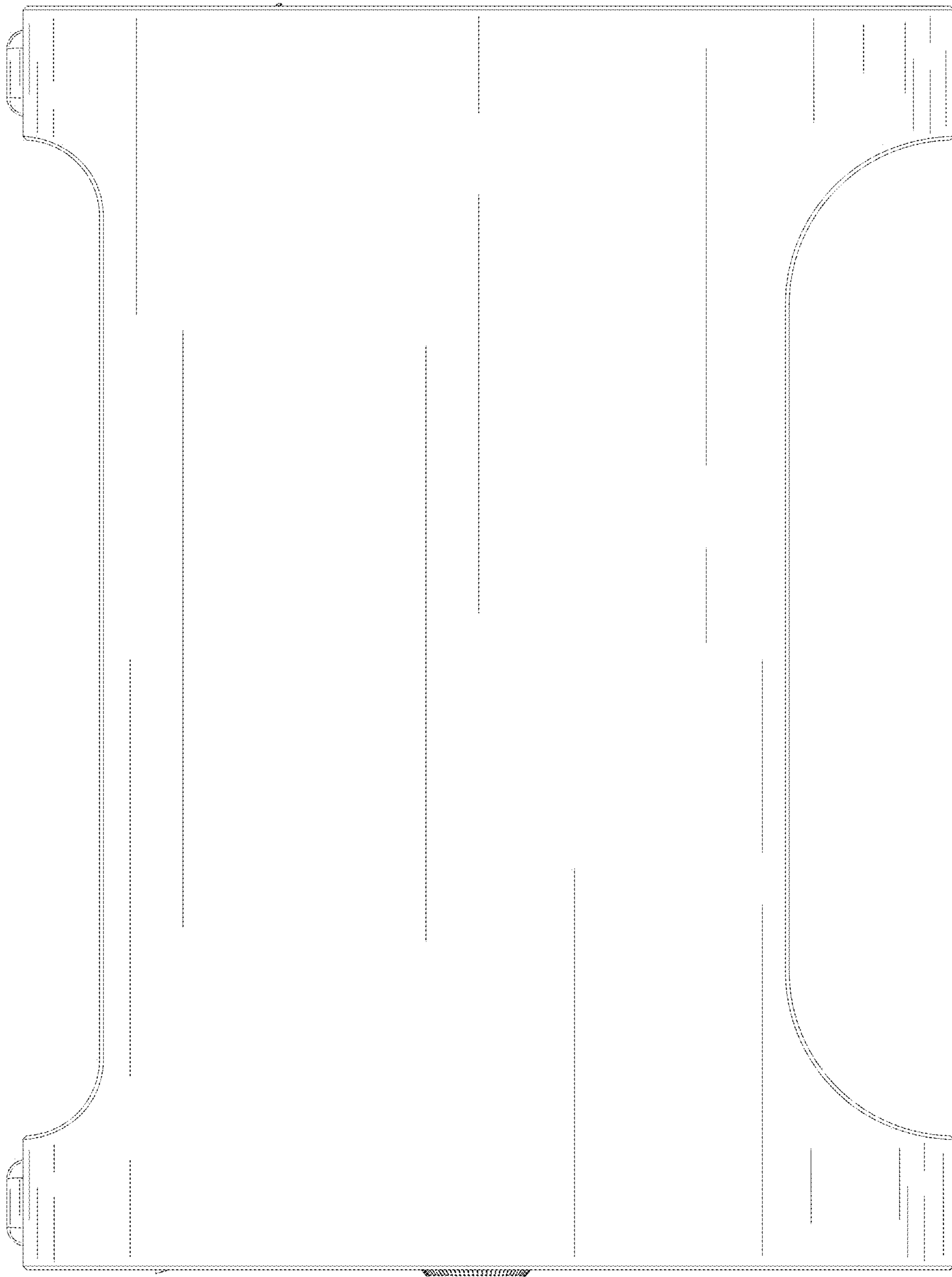


FIG. 7



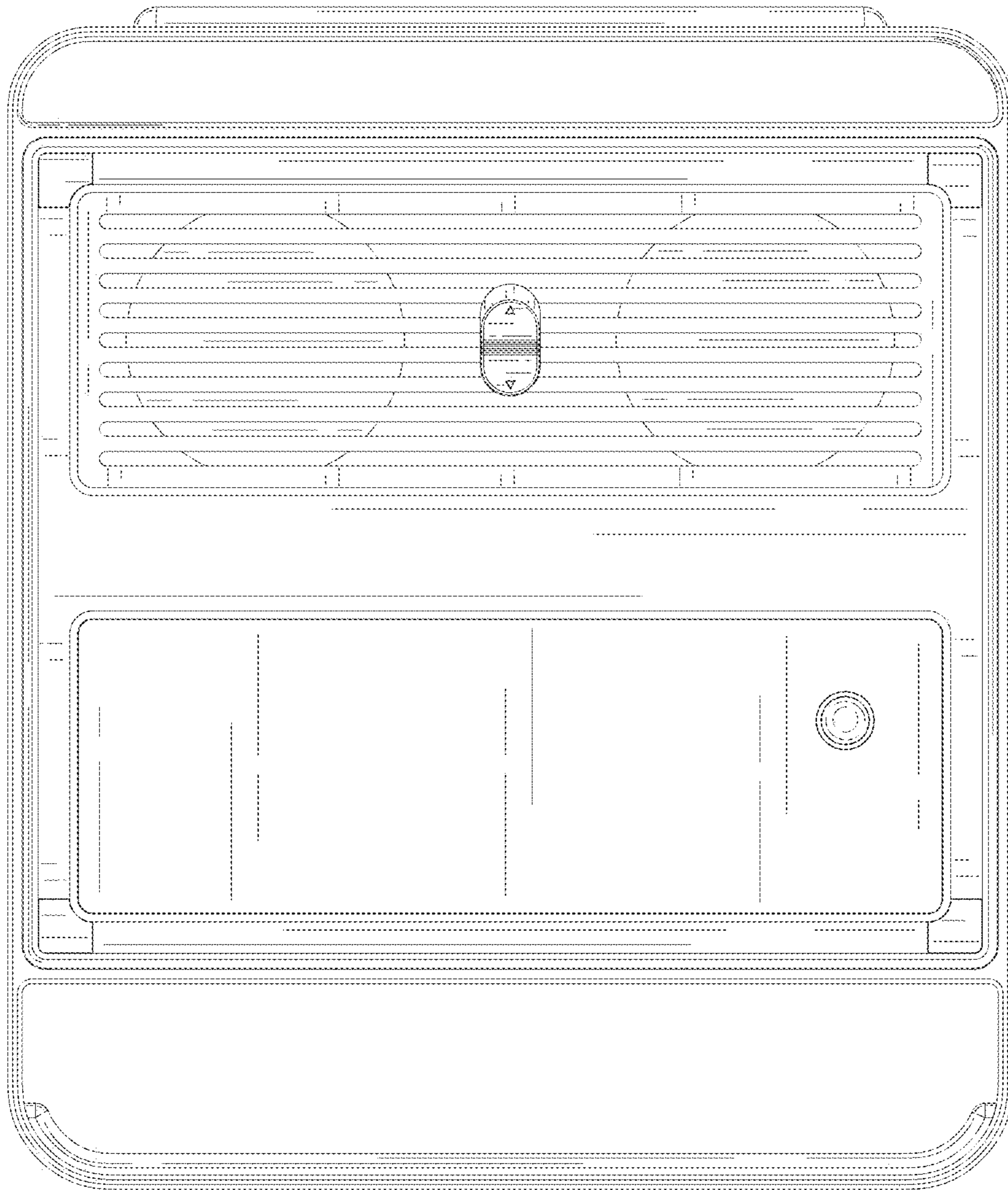


FIG. 8

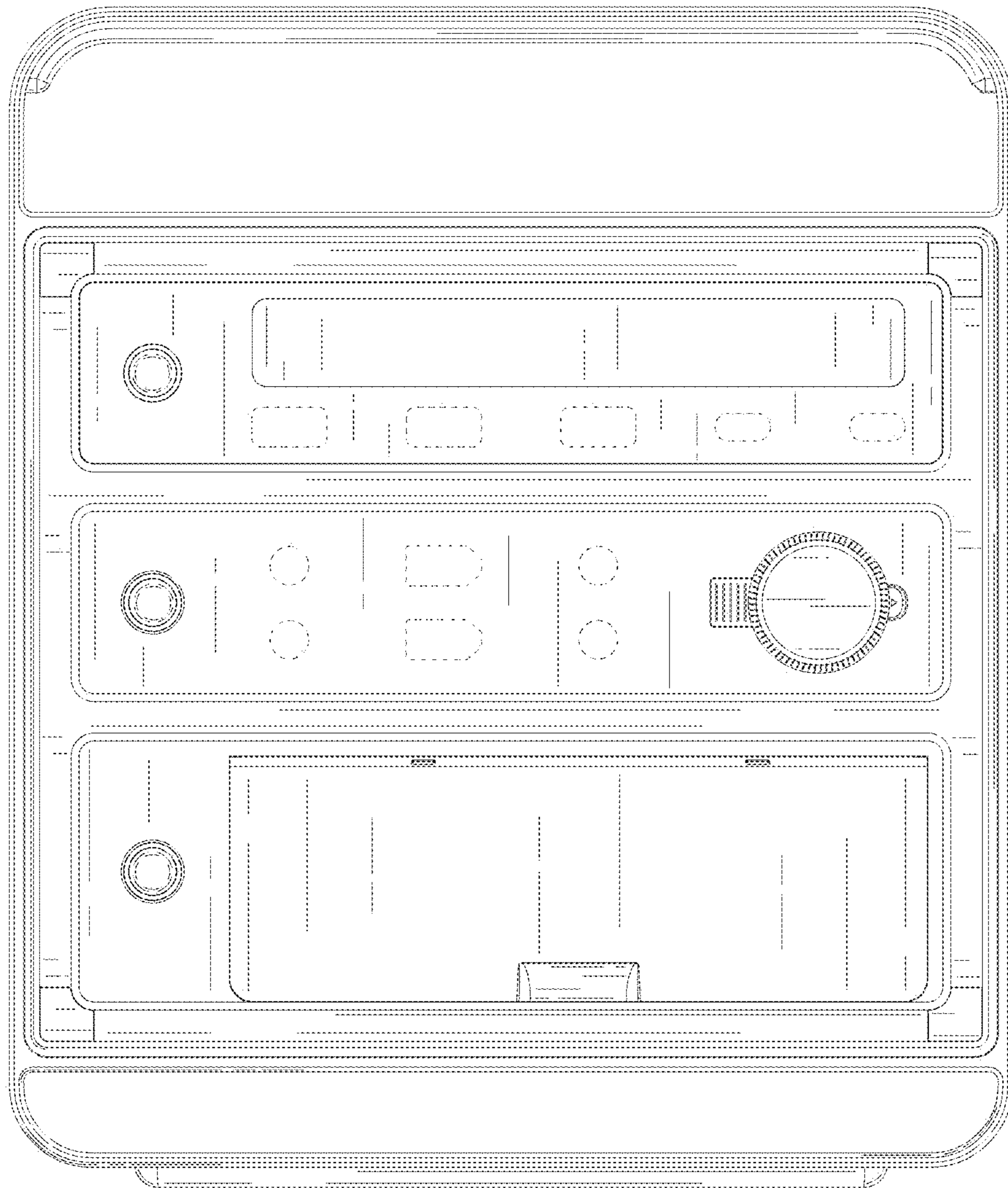


FIG. 9

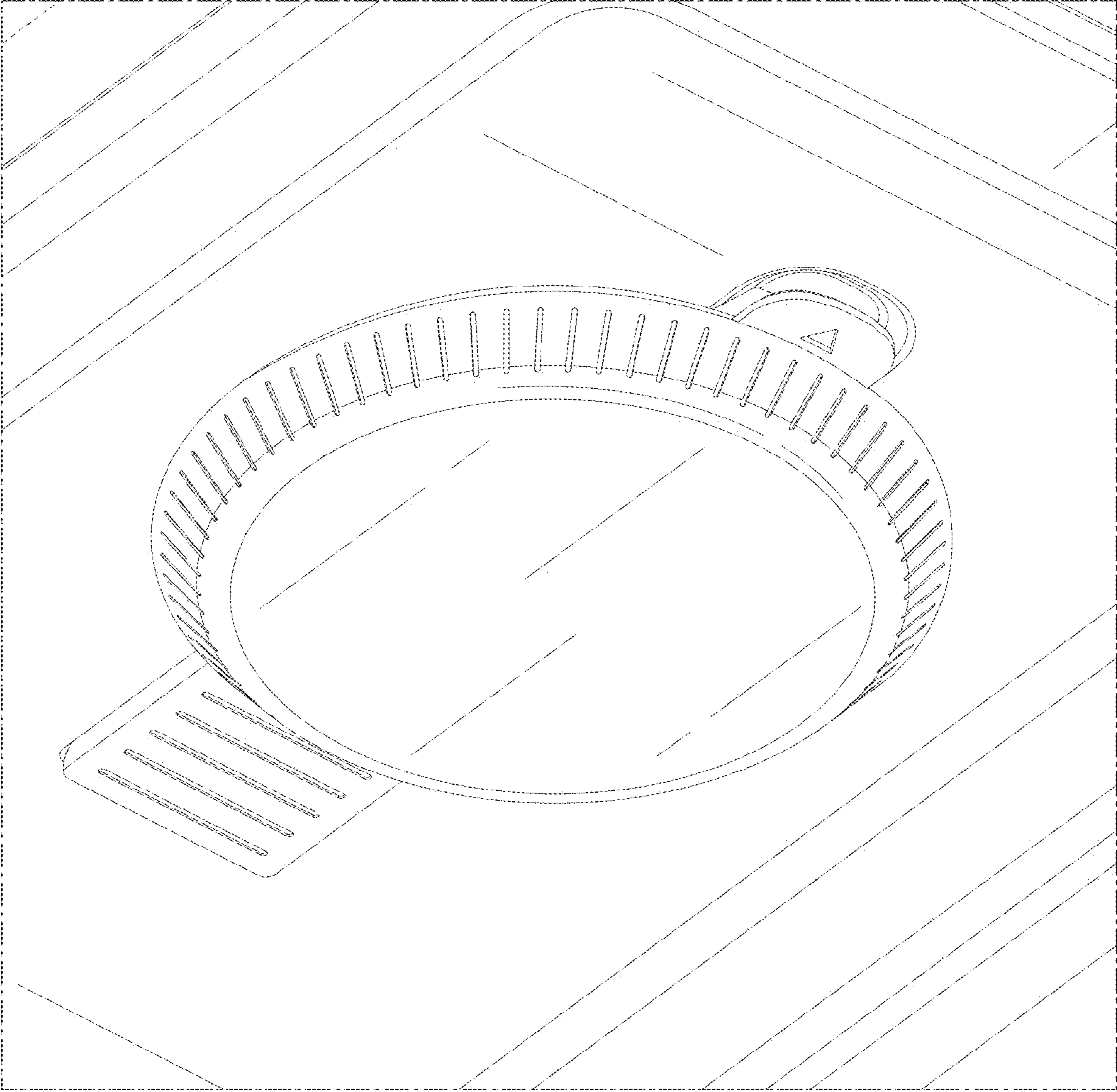


FIG. 10

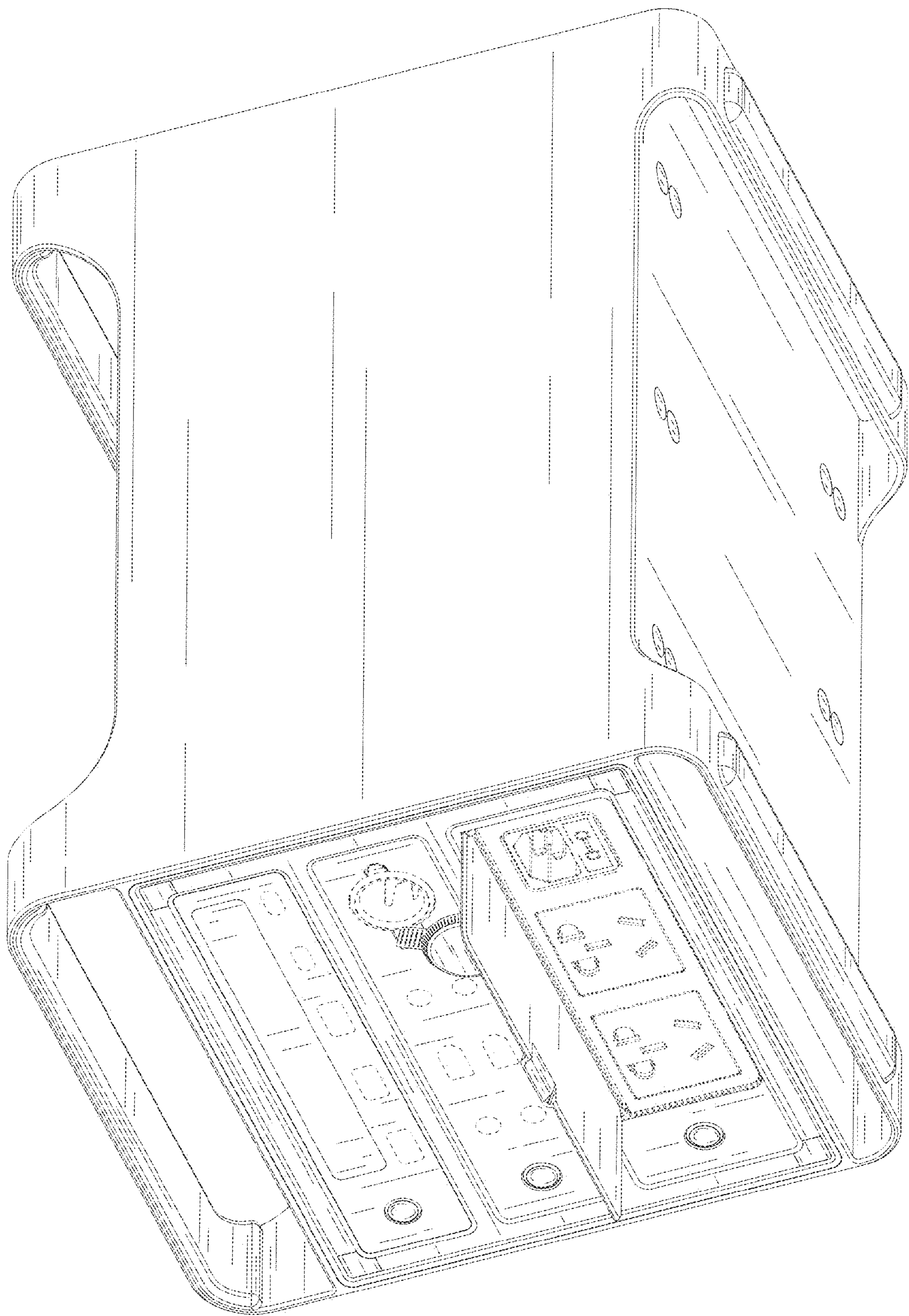


FIG. 11