



US00D974297S

(12) **United States Design Patent**
Huang et al.

(10) **Patent No.:** **US D974,297 S**
(45) **Date of Patent:** **** Jan. 3, 2023**

(54) **ENERGY STORAGE AND POWER SUPPLY DEVICE**

(71) Applicant: **3A TECHNOLOGY CO., LIMITED**,
Shenzhen (CN)

(72) Inventors: **Shisheng Huang**, Shenzhen (CN);
Yongxing Wang, Shenzhen (CN);
Baiguang Zhang, Shenzhen (CN)

(73) Assignee: **3A TECHNOLOGY CO., LIMITED**,
Shenzhen (CN)

(**) Term: **15 Years**

(21) Appl. No.: **29/790,408**

(22) Filed: **Nov. 24, 2021**

(51) **LOC (14) Cl.** **13-02**

(52) **U.S. Cl.**
USPC **D13/110**

(58) **Field of Classification Search**
USPC D13/103, 107, 108, 110, 118, 151, 153,
D13/154, 155, 184
CPC Y02E 60/10; Y02E 60/50; H01M 50/10;
H01M 50/107; H01M 50/557; H01M
50/209; H01M 50/502; H01M 2220/30;
H02J 7/00; H02J 7/0003; H02J 7/0011;
H02J 7/0013; H02J 7/0054; H02J 7/0055;
H02J 7/0057

See application file for complete search history.

(56) **References Cited**

U.S. PATENT DOCUMENTS

D624,876 S	*	10/2010	Daniels	D13/110
D664,499 S		7/2012	Workman et al.		
D773,992 S	*	12/2016	Krantz	D13/110
D815,039 S	*	4/2018	Wen	D13/110
D823,797 S	*	7/2018	Krantz	D13/110
D837,149 S	*	1/2019	Yin	D13/103

D842,240 S	*	3/2019	Lai	D13/107
D874,397 S	*	2/2020	Sun	D13/107
D881,808 S	*	4/2020	Sun	D13/103
D883,206 S	*	5/2020	Bai	D13/110
D887,357 S	*	6/2020	Liao	D13/110
D897,283 S	*	9/2020	Sun	D13/103
D897,284 S	*	9/2020	Sun	D13/103
D902,857 S	*	11/2020	Jia	D13/110
D910,550 S	*	2/2021	Bell	D13/107
D910,560 S	*	2/2021	Inskeep	D13/110
D911,953 S	*	3/2021	Yin	D13/103
D916,655 S	*	4/2021	Fang	D13/103

(Continued)

Primary Examiner — Christy Nemeth

(74) *Attorney, Agent, or Firm* — Zhihua Han

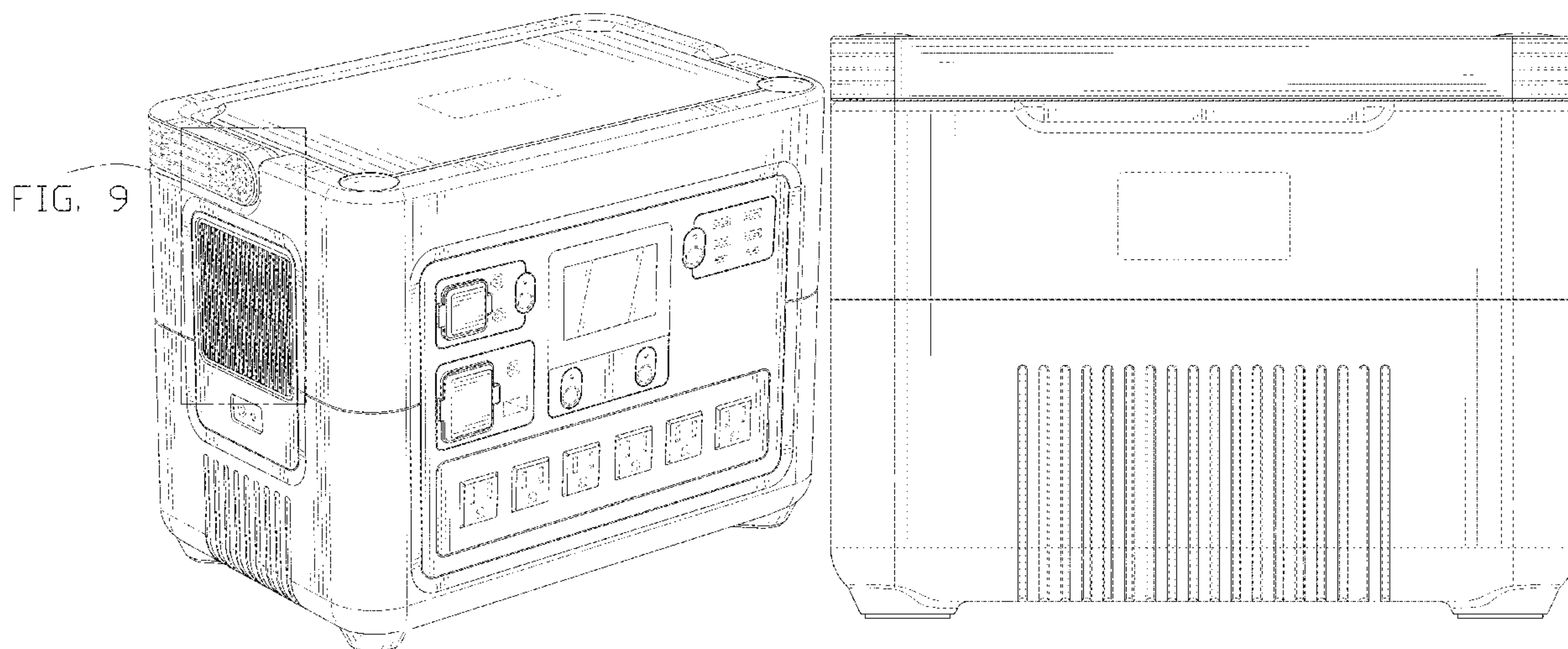
(57) **CLAIM**

The ornamental design for an energy storage and power supply device, as shown and described.

DESCRIPTION

FIG. 1 is a perspective view of an energy storage and power supply device showing our new design;
 FIG. 2 is a front view thereof;
 FIG. 3 is a back view thereof;
 FIG. 4 is a left side view thereof;
 FIG. 5 is a right side view thereof;
 FIG. 6 is a top view thereof;
 FIG. 7 is a bottom view thereof;
 FIG. 8 is a perspective view of the energy storage and power supply device, shown with the handle in an extended state thereof; and,
 FIG. 9 is an enlarged view of the selected portion in FIG. 1. The dash-dash broken lines in the drawings are for the purpose of illustrating portions of the article that form no part of the claimed design. The dot-dash broken lines are for the purpose of illustrating the bounds of the area shown enlarged in FIG. 9 and form no part of the claimed design.

1 Claim, 9 Drawing Sheets



(56)

References Cited

U.S. PATENT DOCUMENTS

D916,658 S * 4/2021 Jiang D13/110
 D922,944 S * 6/2021 Fu D13/103
 D929,935 S * 9/2021 Yin D13/103
 D930,571 S * 9/2021 Zhong D13/102
 D930,585 S * 9/2021 Yu D13/110
 D931,800 S * 9/2021 Fang D13/103
 D931,804 S * 9/2021 Xiong D13/103
 D932,433 S * 10/2021 Tang D13/110
 D934,797 S * 11/2021 Su D13/103
 D936,007 S * 11/2021 Huang D13/110
 D937,207 S * 11/2021 Zhen D13/103
 D938,354 S * 12/2021 Sun D13/110
 D938,355 S * 12/2021 Xiong D13/110
 D940,068 S * 1/2022 Mao D13/103
 D942,391 S * 2/2022 Yin D13/110
 D942,932 S * 2/2022 Yin D13/107

D942,933 S * 2/2022 Yin D13/107
 D942,934 S * 2/2022 Yin D13/107
 D942,940 S * 2/2022 Lai D13/103
 D944,193 S * 2/2022 Sun D13/107
 D944,732 S * 3/2022 Sun D13/110
 D948,431 S * 4/2022 Ye D13/110
 D948,435 S * 4/2022 Chen D13/110
 D949,098 S * 4/2022 Wang D13/116
 D950,484 S * 5/2022 Tan D13/107
 D950,490 S * 5/2022 Yu D13/110
 D952,556 S * 5/2022 Liu D13/107
 D952,557 S * 5/2022 Lin D13/107
 D953,255 S * 5/2022 Lai D13/110
 D953,256 S * 5/2022 Lou D13/107
 D955,329 S * 6/2022 Yu D13/103
 D955,975 S * 6/2022 Fu D13/103
 D955,978 S * 6/2022 Wu D13/103
 D957,322 S * 7/2022 Liu D13/103
 D960,096 S * 8/2022 Li D13/110

* cited by examiner

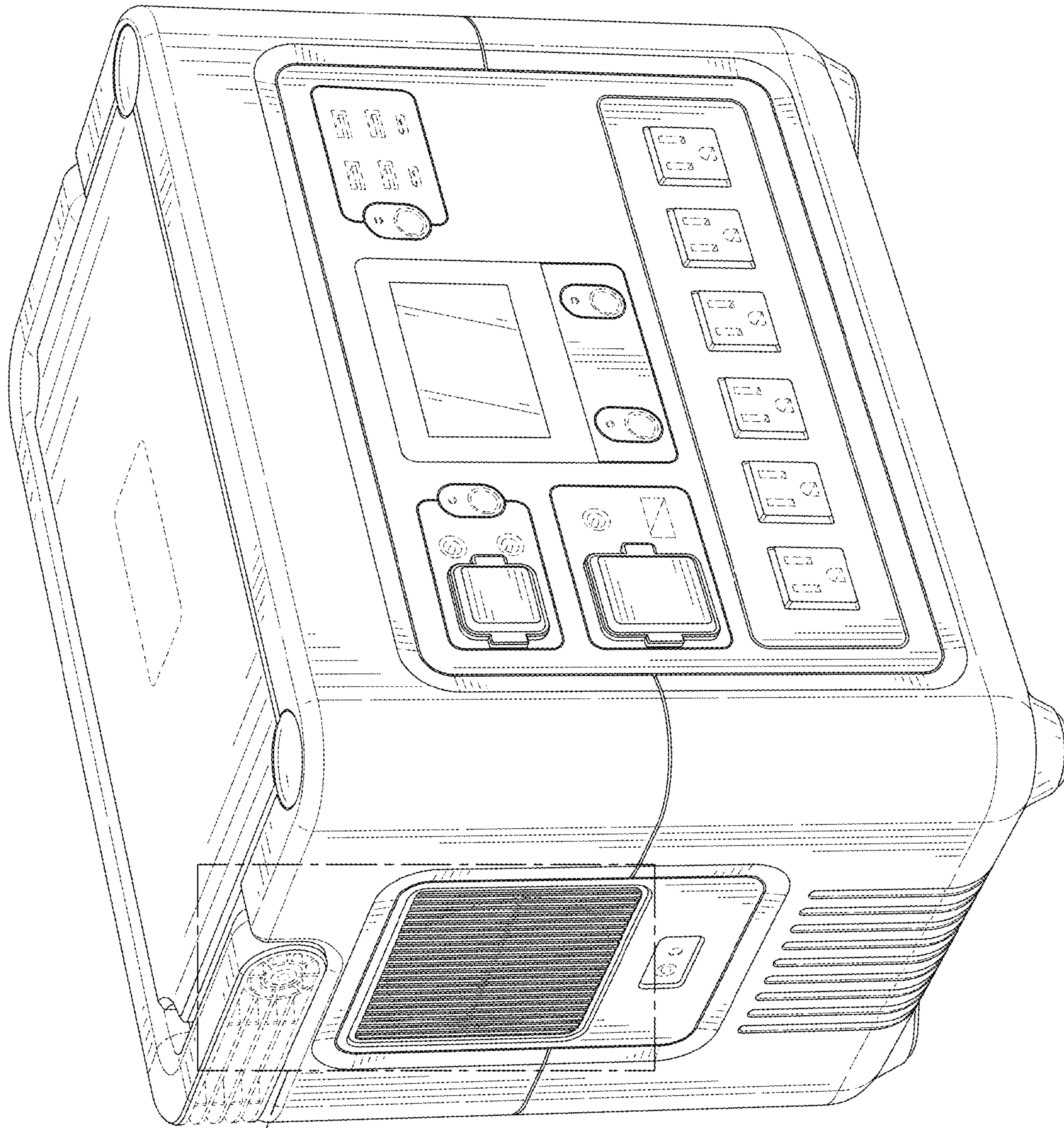


FIG. 9

FIG. 1

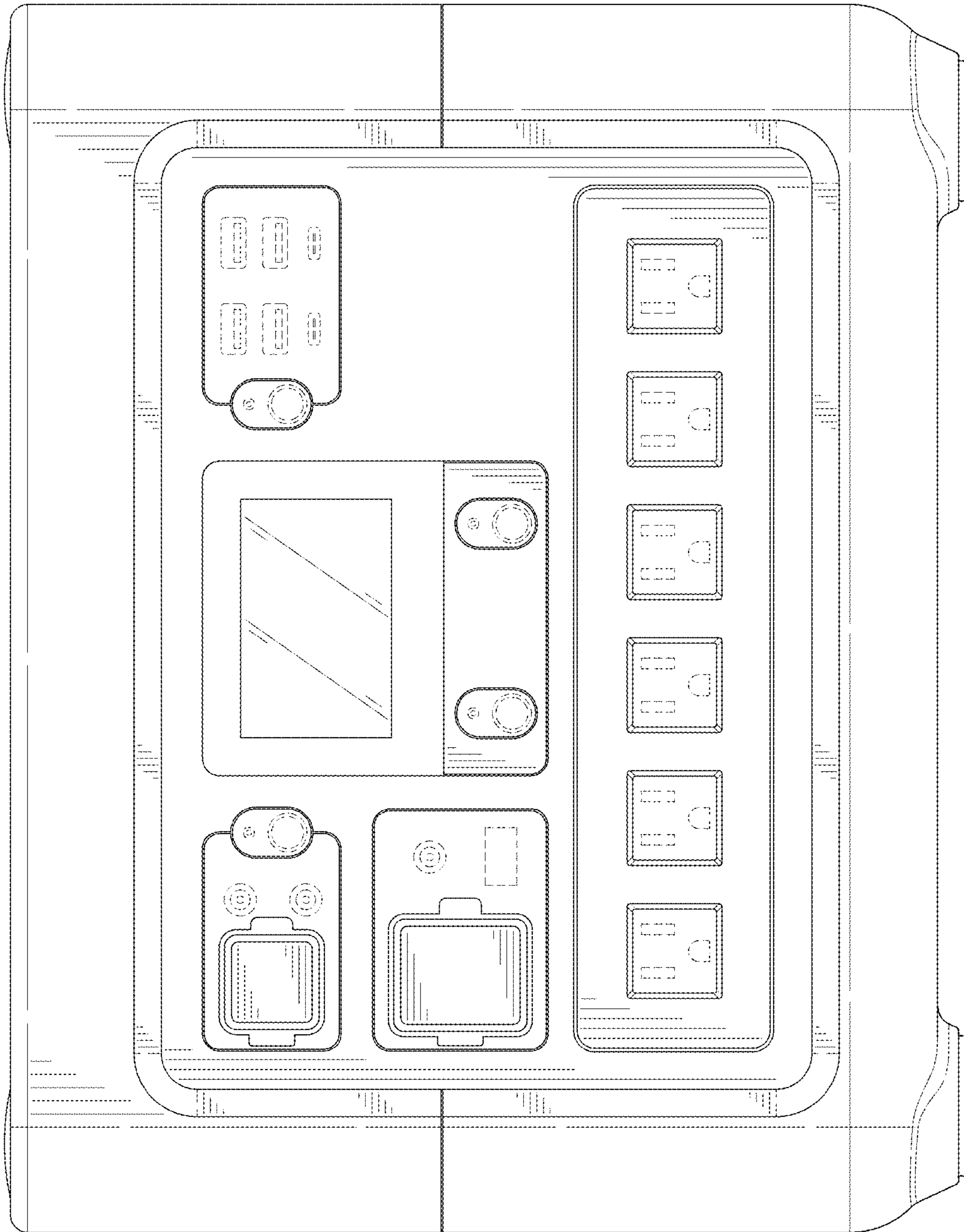


FIG. 2

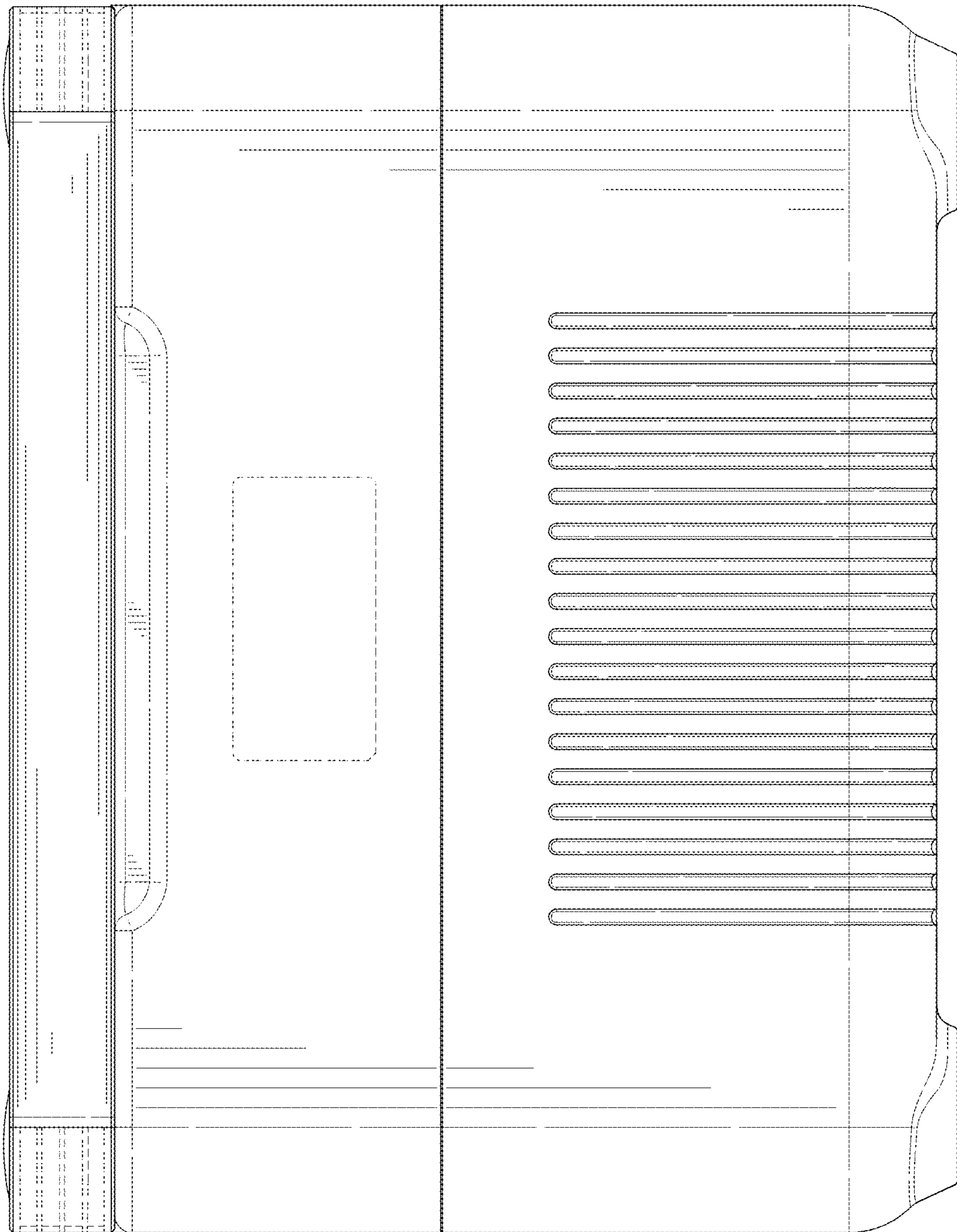


FIG. 3

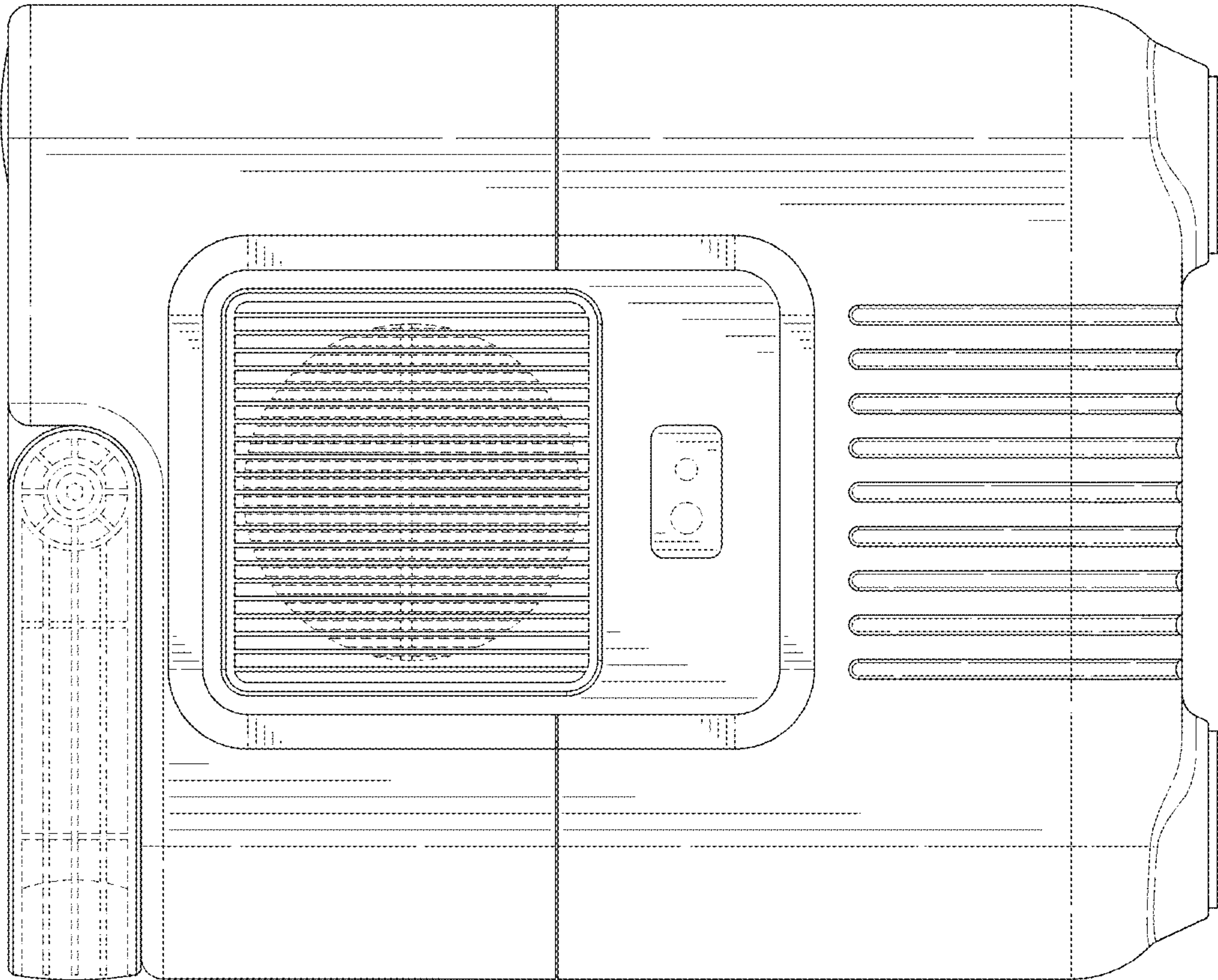


FIG. 4

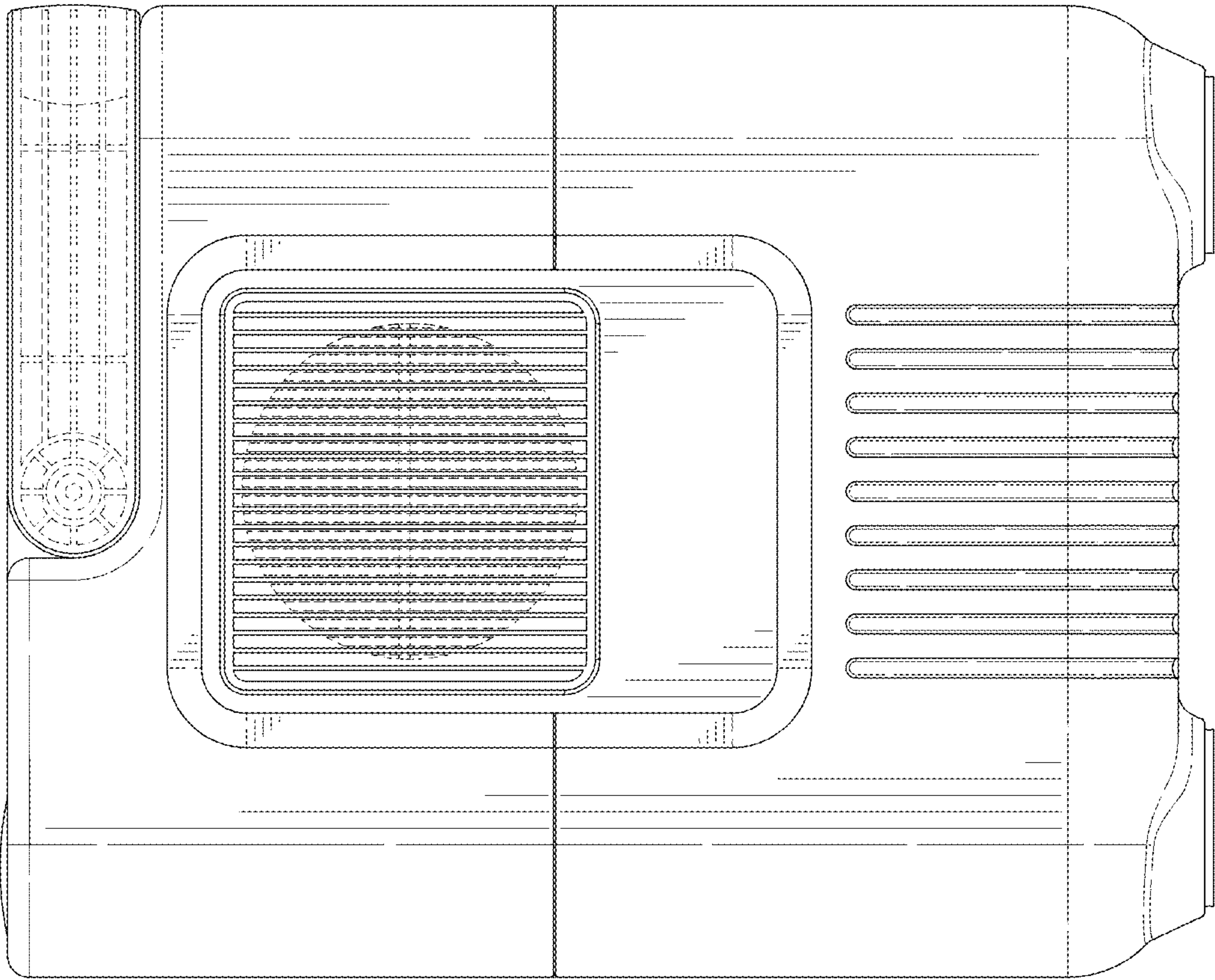


FIG. 5

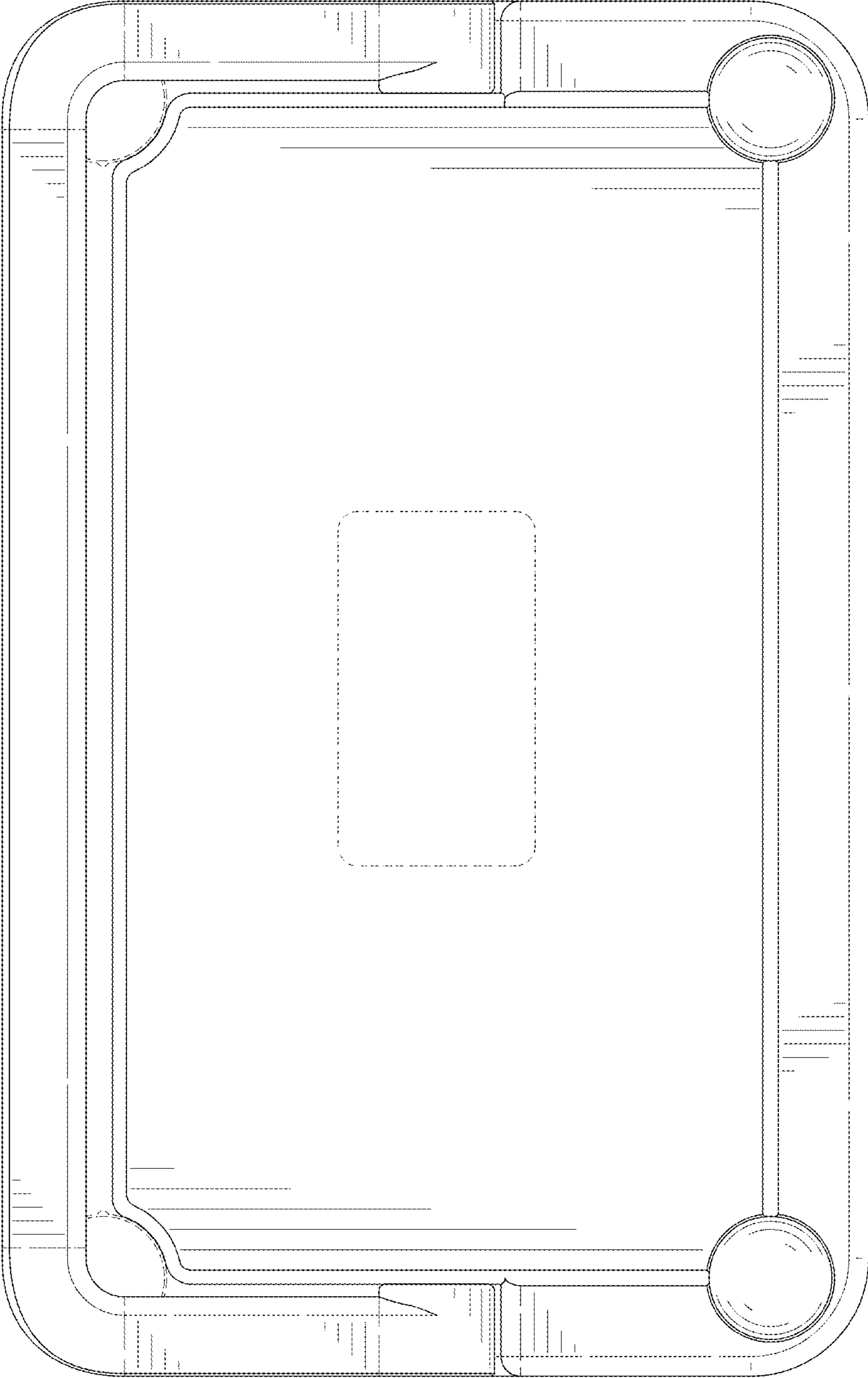


FIG. 6

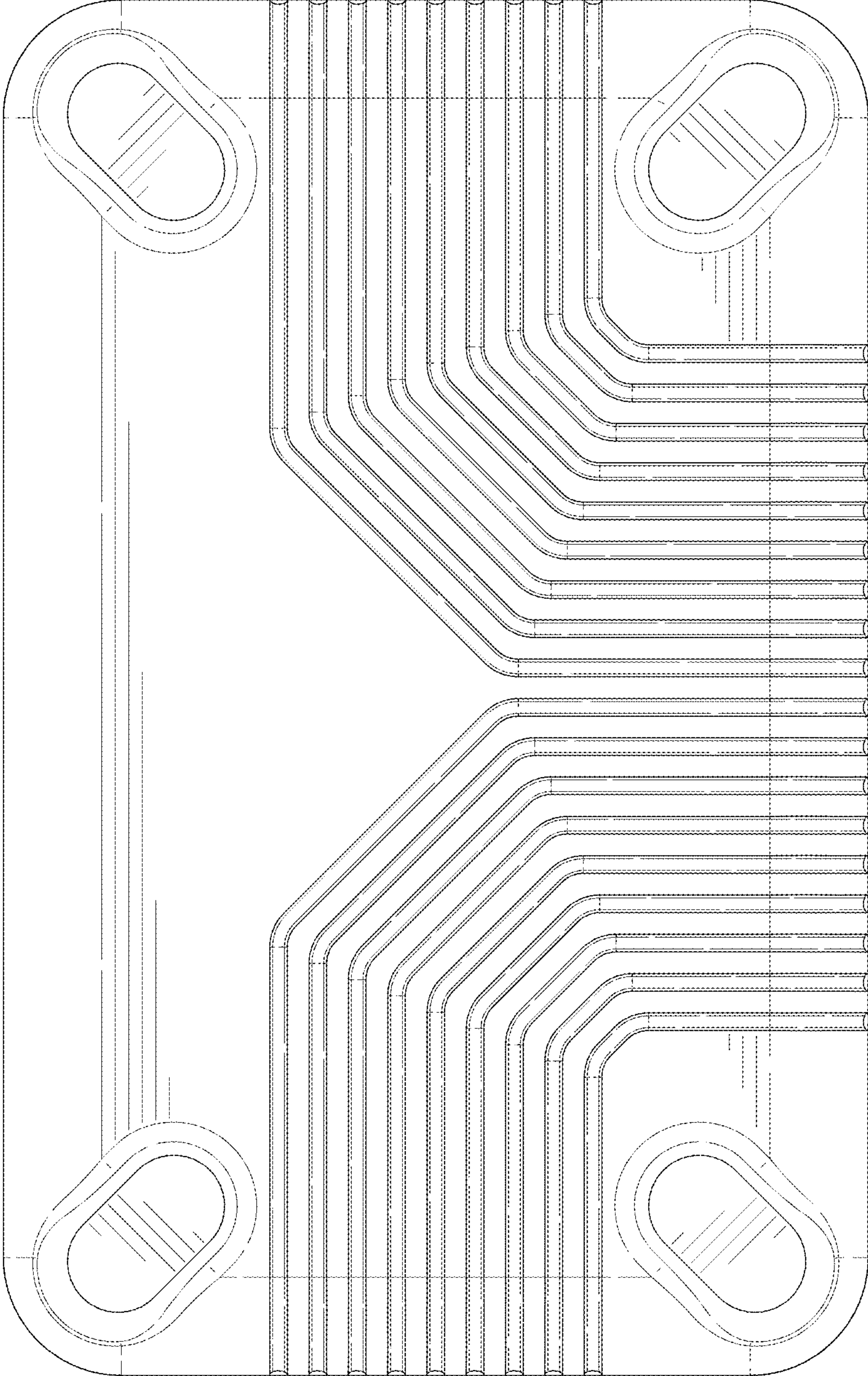


FIG. 7

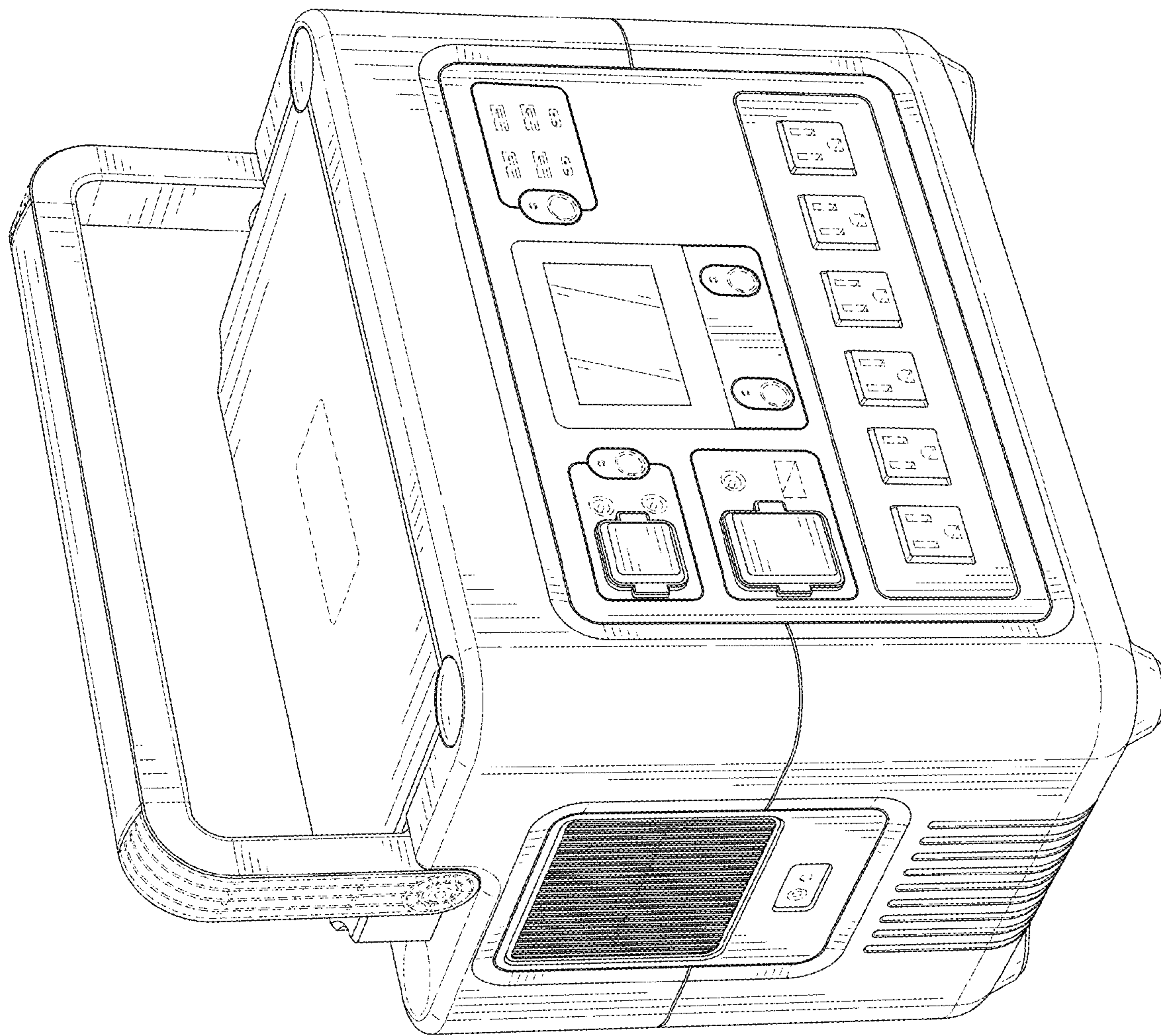


FIG. 8

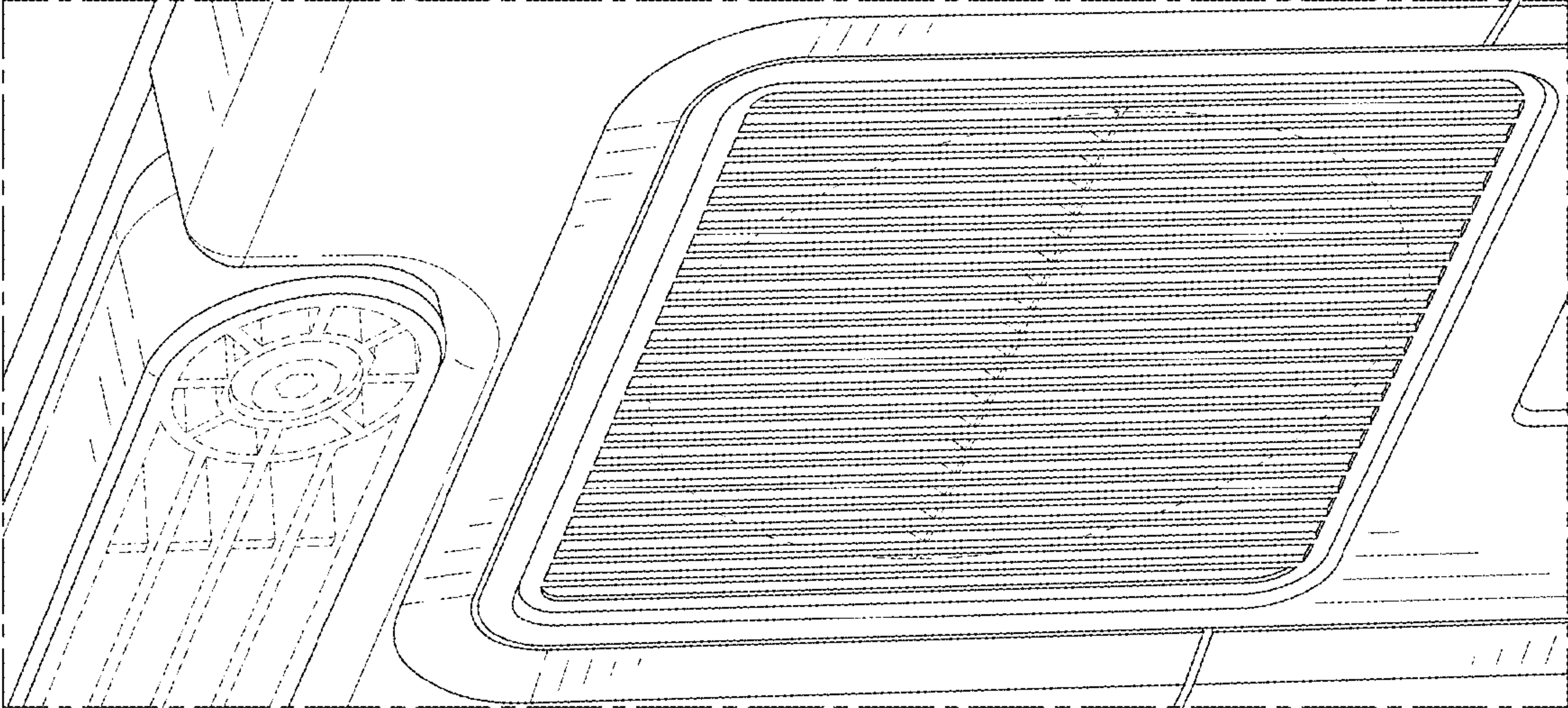


FIG. 9