



US00D974296S

(12) **United States Design Patent**
Zhang

(10) **Patent No.:** **US D974,296 S**
(45) **Date of Patent:** **** Jan. 3, 2023**

(54) **WIRELESS CHARGER**

(71) Applicant: **Fumin Zhang**, Xinhua (CN)

(72) Inventor: **Fumin Zhang**, Xinhua (CN)

(**) Term: **15 Years**

(21) Appl. No.: **29/799,327**

(22) Filed: **Jul. 14, 2021**

(51) **LOC (14) Cl.** **13-02**

(52) **U.S. Cl.**
USPC **D13/108**

(58) **Field of Classification Search**

USPC D13/103, 107, 108, 118, 119, 184, 199;
D14/251, 253, 432, 433, 434, 439, 447
CPC H04B 1/3877; H02J 7/0027; H04M 1/026
See application file for complete search history.

(56) **References Cited**

U.S. PATENT DOCUMENTS

D703,214 S *	4/2014	Lye	D14/447
D787,441 S *	5/2017	Lee	D13/108
D875,677 S *	2/2020	Shi	D13/103
D883,924 S *	5/2020	Chen	D13/108
D884,621 S *	5/2020	Feng	D13/108
D896,174 S	9/2020	Li		
D897,953 S *	10/2020	Chen	D13/108
D913,919 S *	3/2021	Wang	D13/108
D915,276 S *	4/2021	Peng	D13/108
D917,386 S	4/2021	Xu		
D922,948 S	6/2021	Wang et al.		
D945,961 S *	3/2022	Su	D13/108
D954,646 S *	6/2022	Liao	D13/108
2010/0315041 A1 *	12/2010	Tan	H04M 1/04 320/115
2015/0171649 A1 *	6/2015	Kim	H02J 7/0044 320/114
2019/0115781 A1 *	4/2019	Feng	H02J 50/10

OTHER PUBLICATIONS

“ESR Foldable Wireless Charger”. Found online Apr. 7, 2021 at amazon.com. Reference dated Jul. 31, 2019. Retrieved from https://

www.amazon.com/ESR-Foldable-Wireless-Charging-Compatible/dp/B07VZT8LVT?th=1. (Year: 2019).*

(Continued)

Primary Examiner — Kendra Leslie Hamilton

Assistant Examiner — Amanda Christensen

(74) *Attorney, Agent, or Firm* — Rumit Ranjit Kanakia

(57) **CLAIM**

The ornamental design for a wireless charger, as shown and described.

DESCRIPTION

FIG. 1 is a top, front, right side perspective view of a wireless charger, showing my new design in a first configuration;

FIG. 2 is a second perspective view thereof;

FIG. 3 is a front view thereof;

FIG. 4 is a back view thereof;

FIG. 5 is a left side view thereof;

FIG. 6 is a right side view thereof;

FIG. 7 is a top view thereof;

FIG. 8 is a bottom view thereof;

FIG. 9 is a top, front, left side perspective view of another state of the wireless charger of FIG. 1, shown in a second configuration;

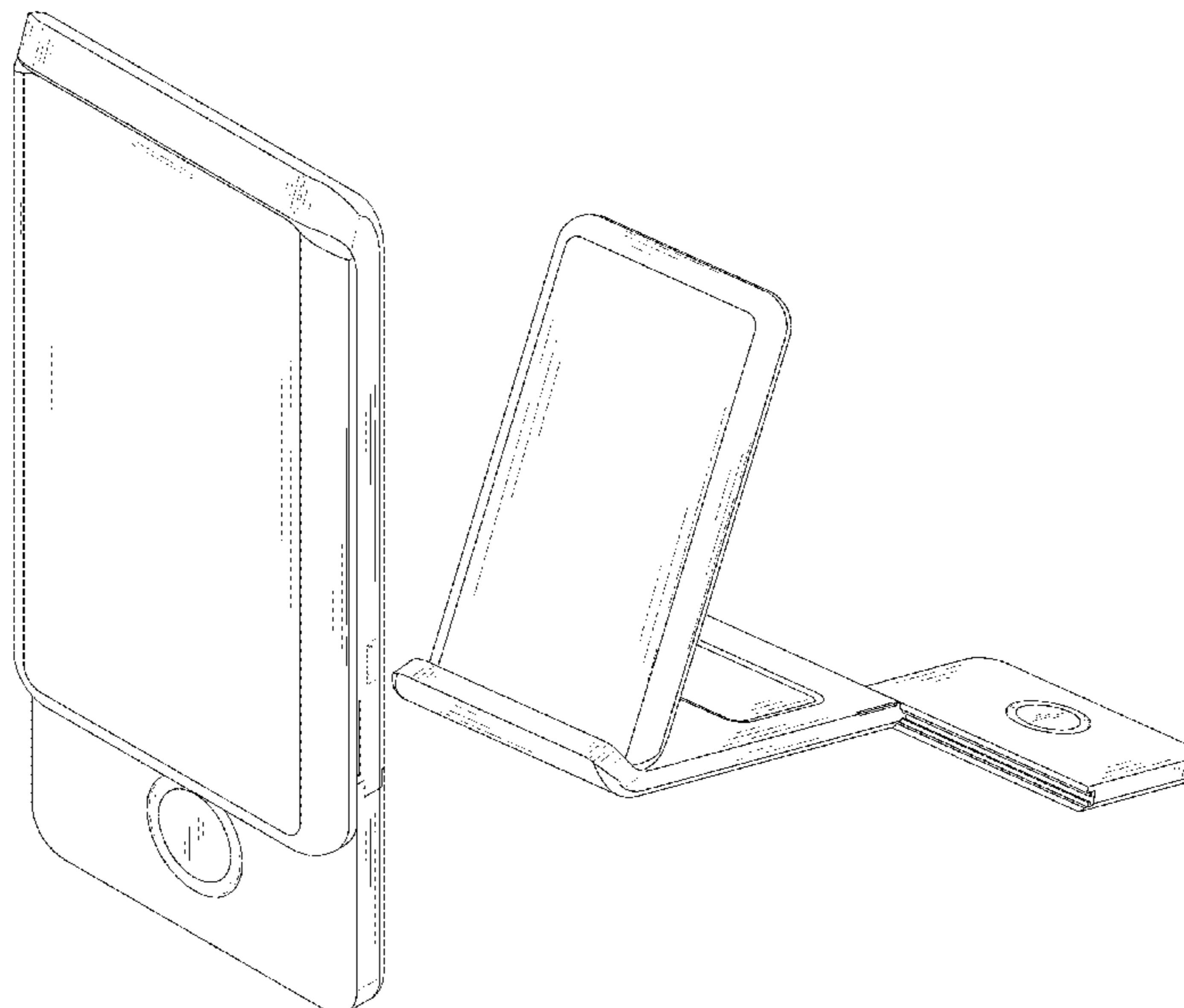
FIG. 10 is a top, front, left side perspective view of the wireless charger of FIG. 1, shown in a third configuration;

FIG. 11 is an enlarged view of the selected portion in FIG. 2; and,

FIG. 12 is an enlarged view of the selected portion in FIG. 10.

The broken lines shown in the drawings depict portions of the wireless charger in which the design is embodied that form no part of the claimed design.

1 Claim, 12 Drawing Sheets



(56)

References Cited

OTHER PUBLICATIONS

“Pendrajec Foldable Wireless Charger Stand”. Found online Apr. 8, 2022 at amazon.com. Reference dated Apr. 8, 2021. Retrieved from <https://www.amazon.com/Foldable-Wireless-Charger-Charging-12/dp/B092D6FMFN?th=1>. (Year: 2021).*

“Anker PowerWave Wireless Charger”. Found online Dec. 2, 2021 at amazon.com. Reference dated May 19, 2018. Retrieved from <https://www.amazon.com/Anker-PowerWave-Qi-Certified-Compatible-Qi-Enabled/dp/B07DBXNV58>. (Year: 2018).*

* cited by examiner

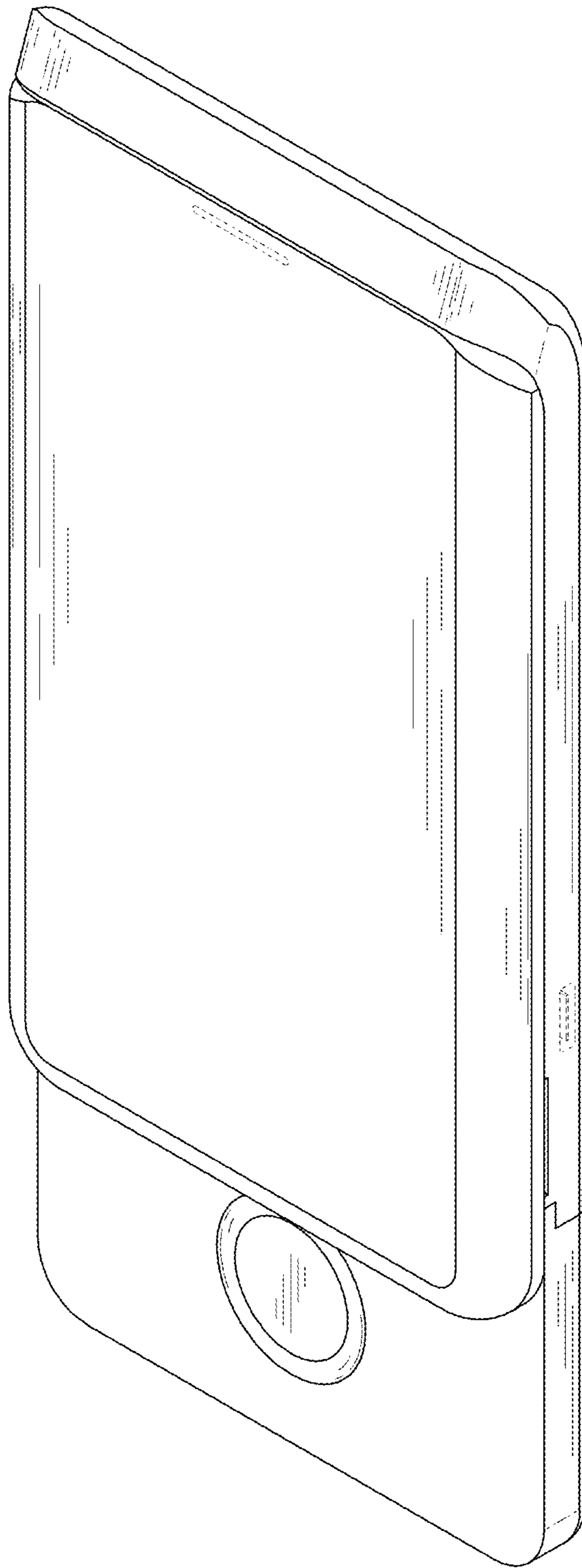


FIG. 1

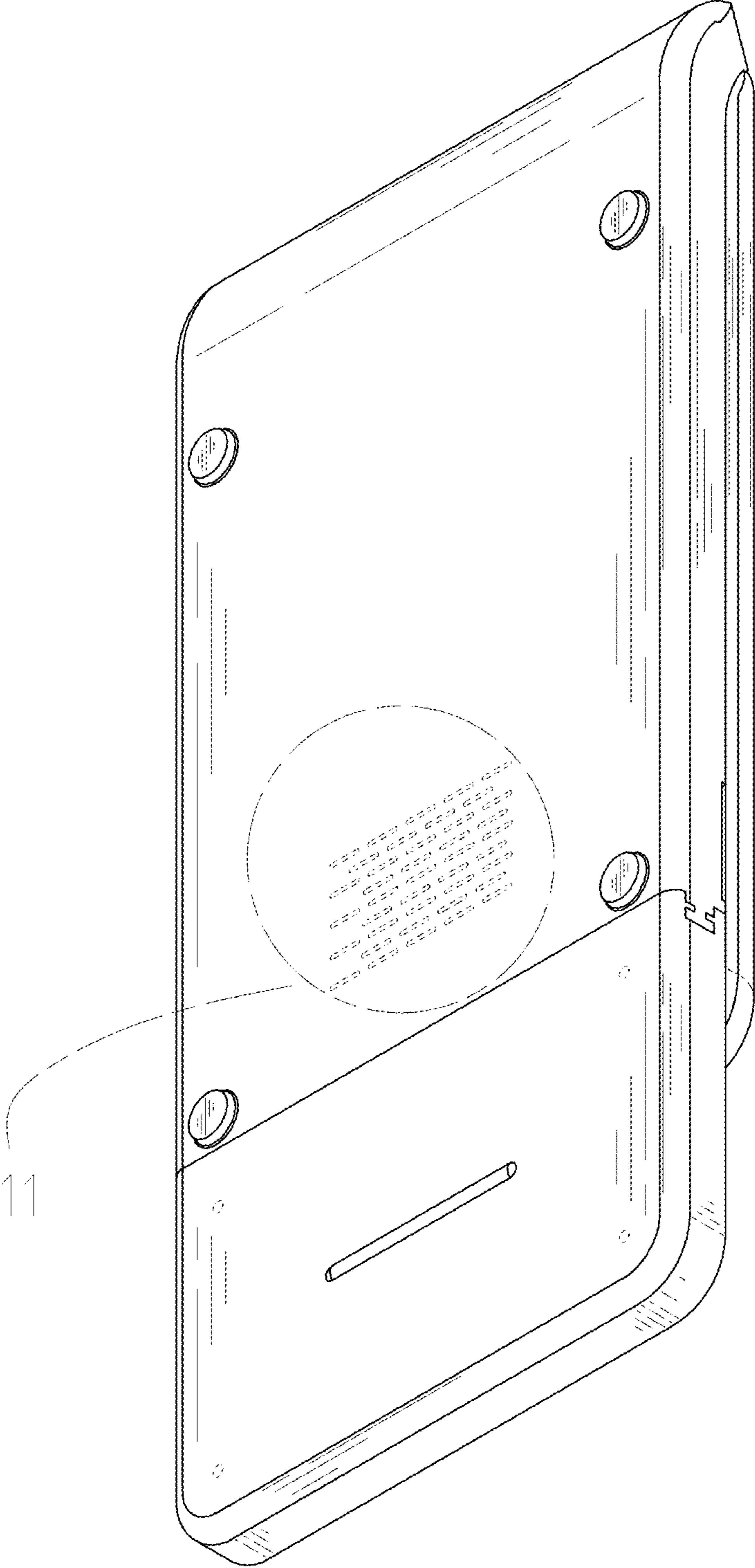


FIG. 2

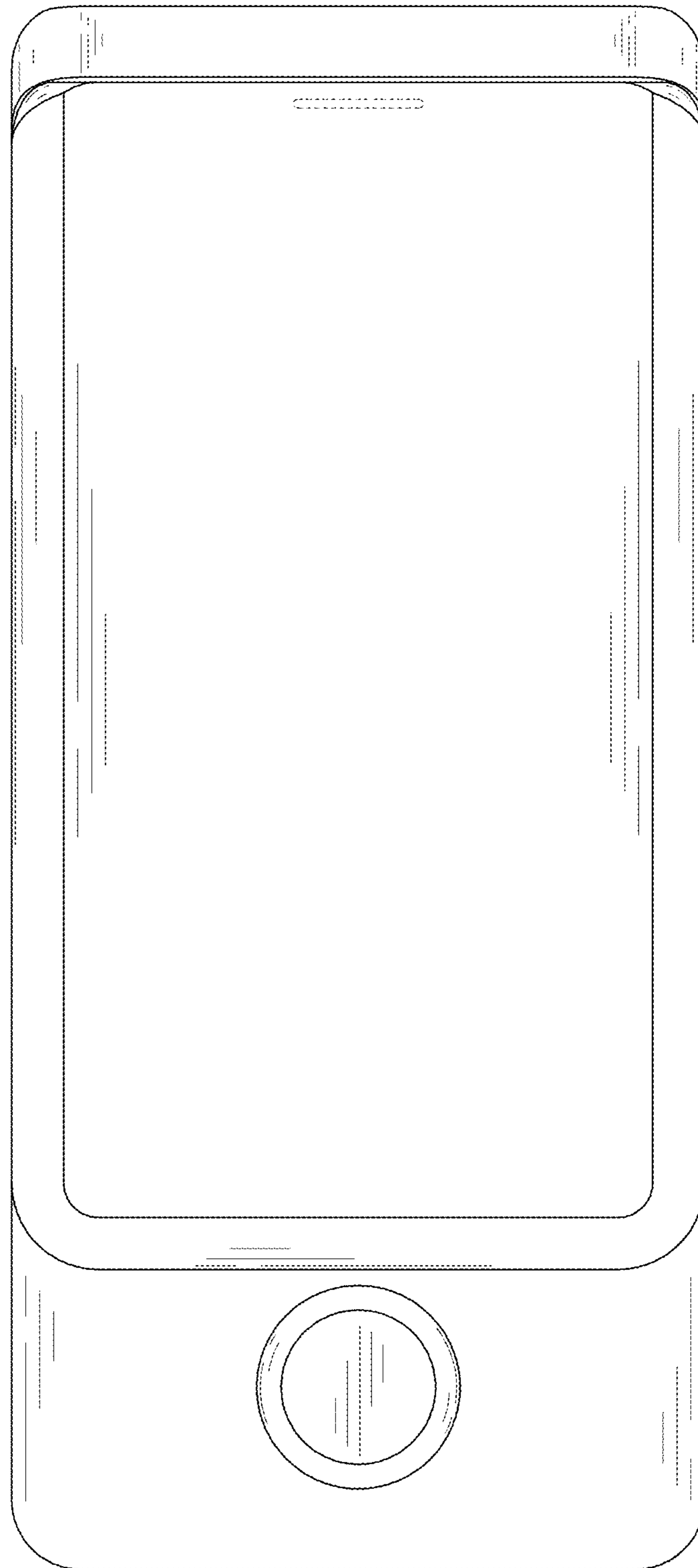


FIG. 3

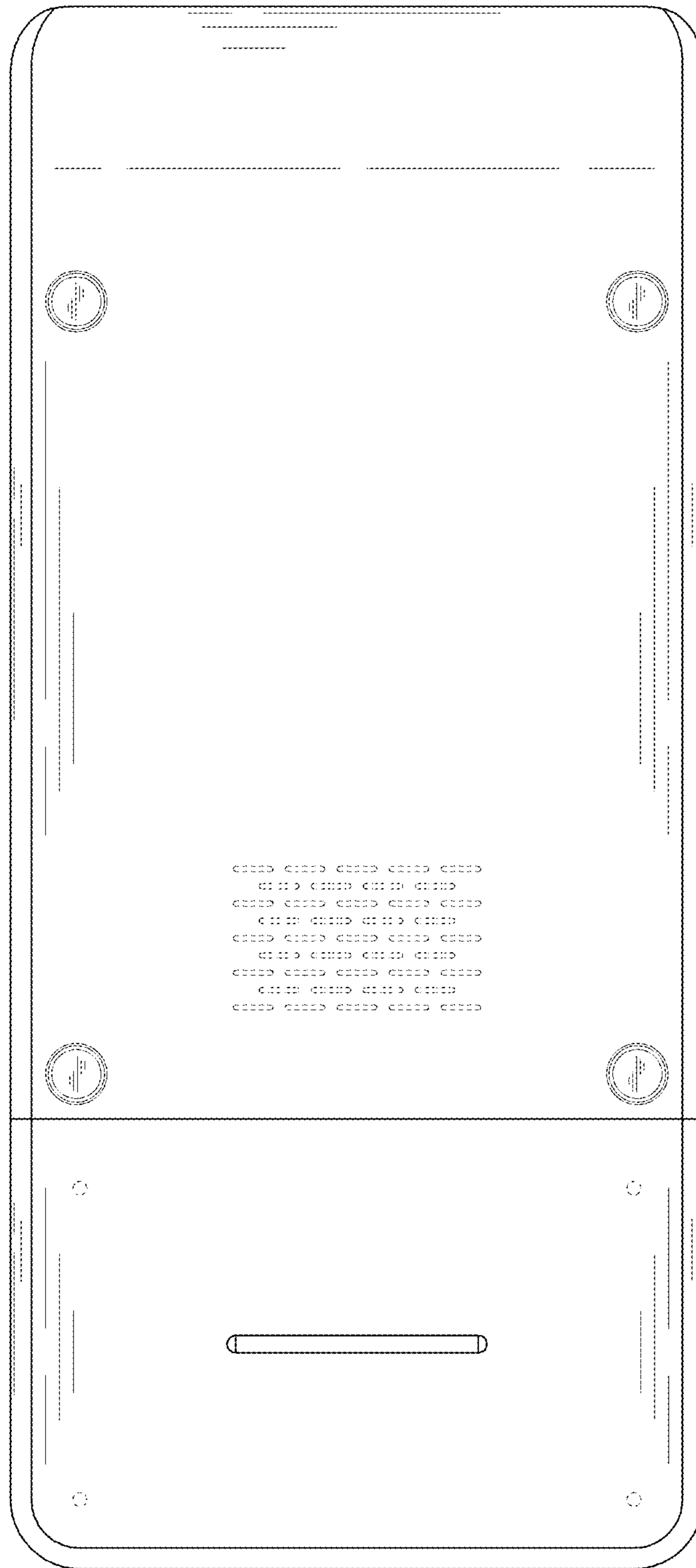


FIG. 4

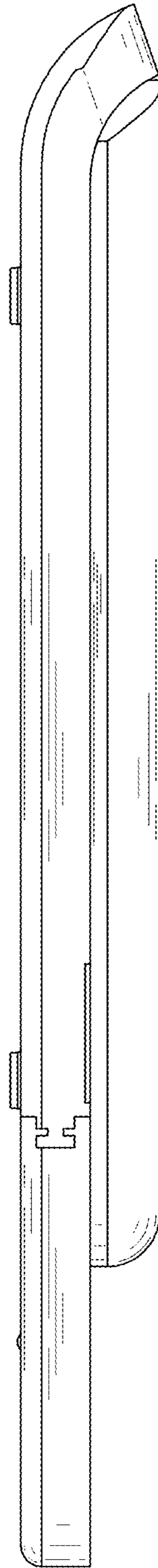


FIG. 5

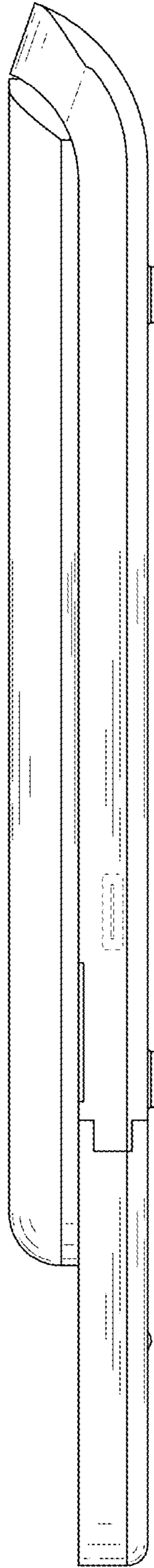


FIG. 6

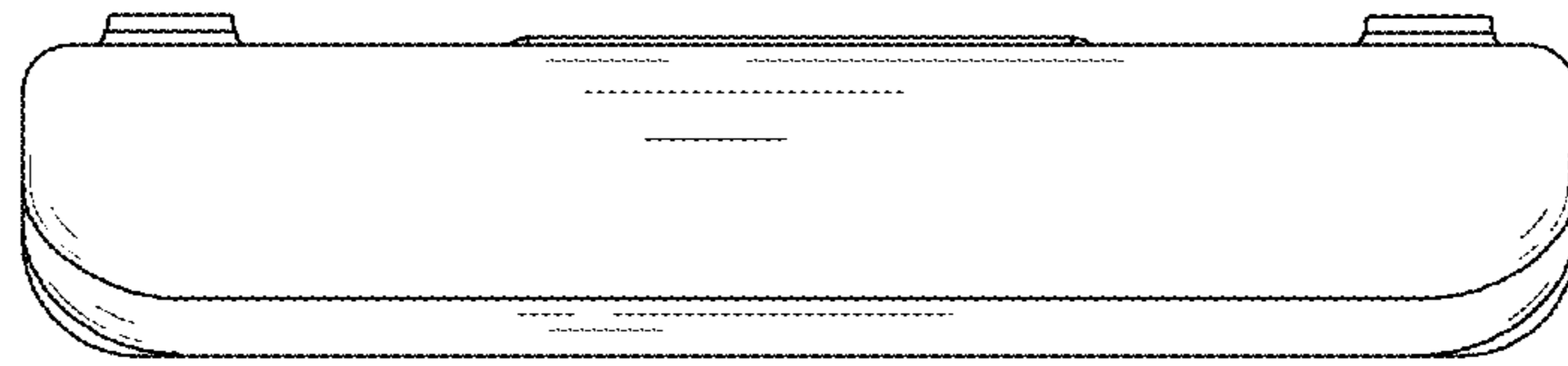


FIG. 7

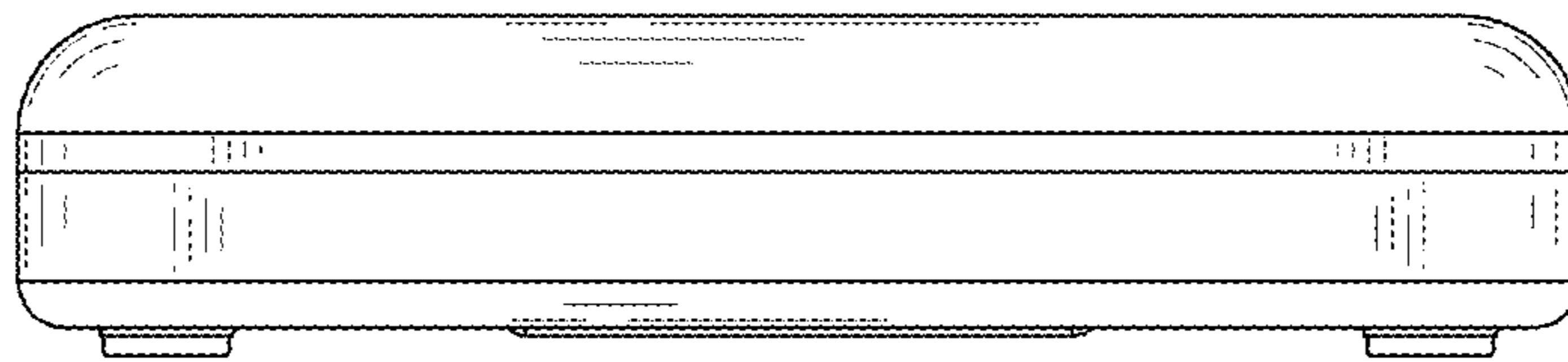


FIG. 8

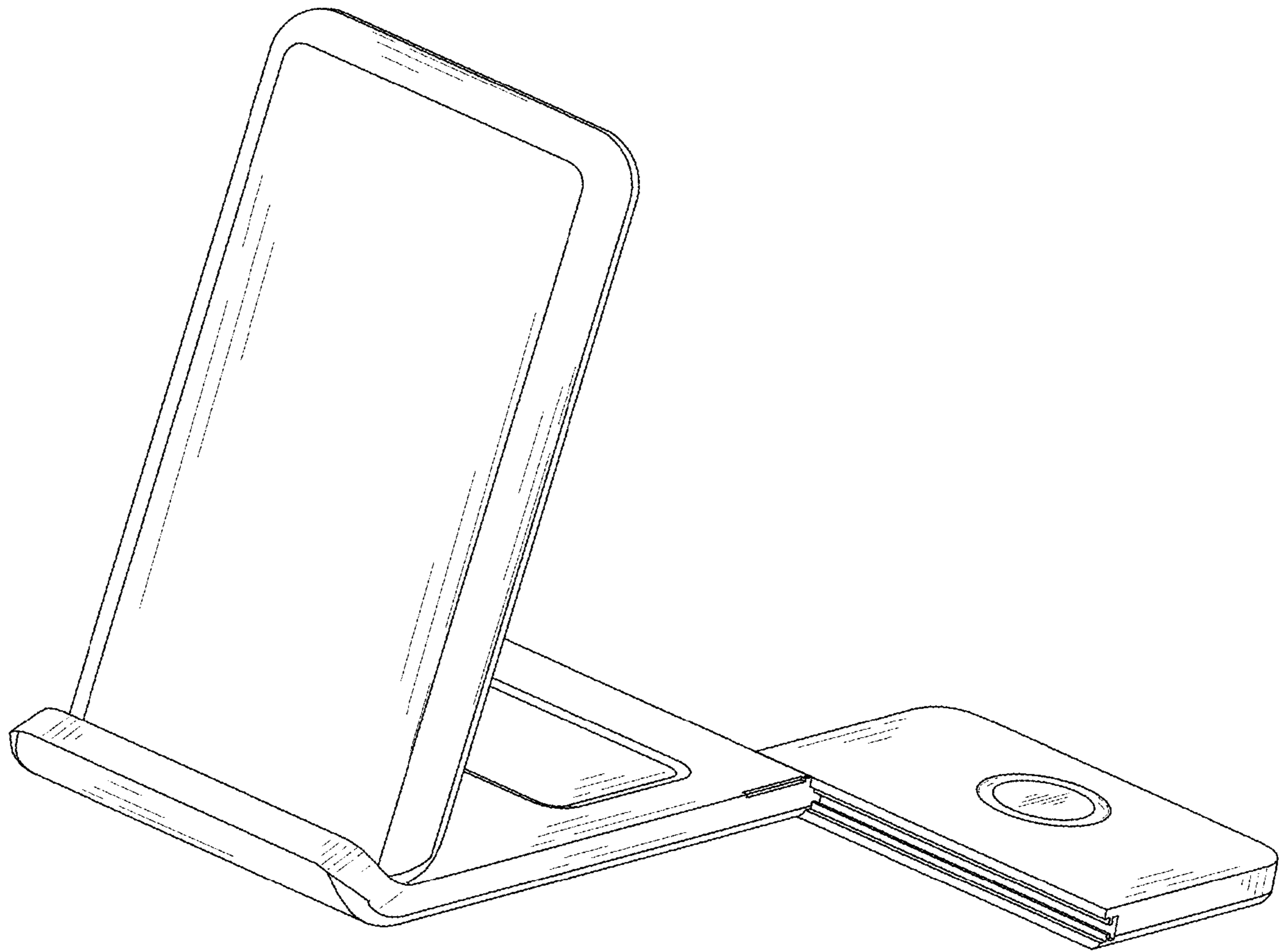


FIG. 9

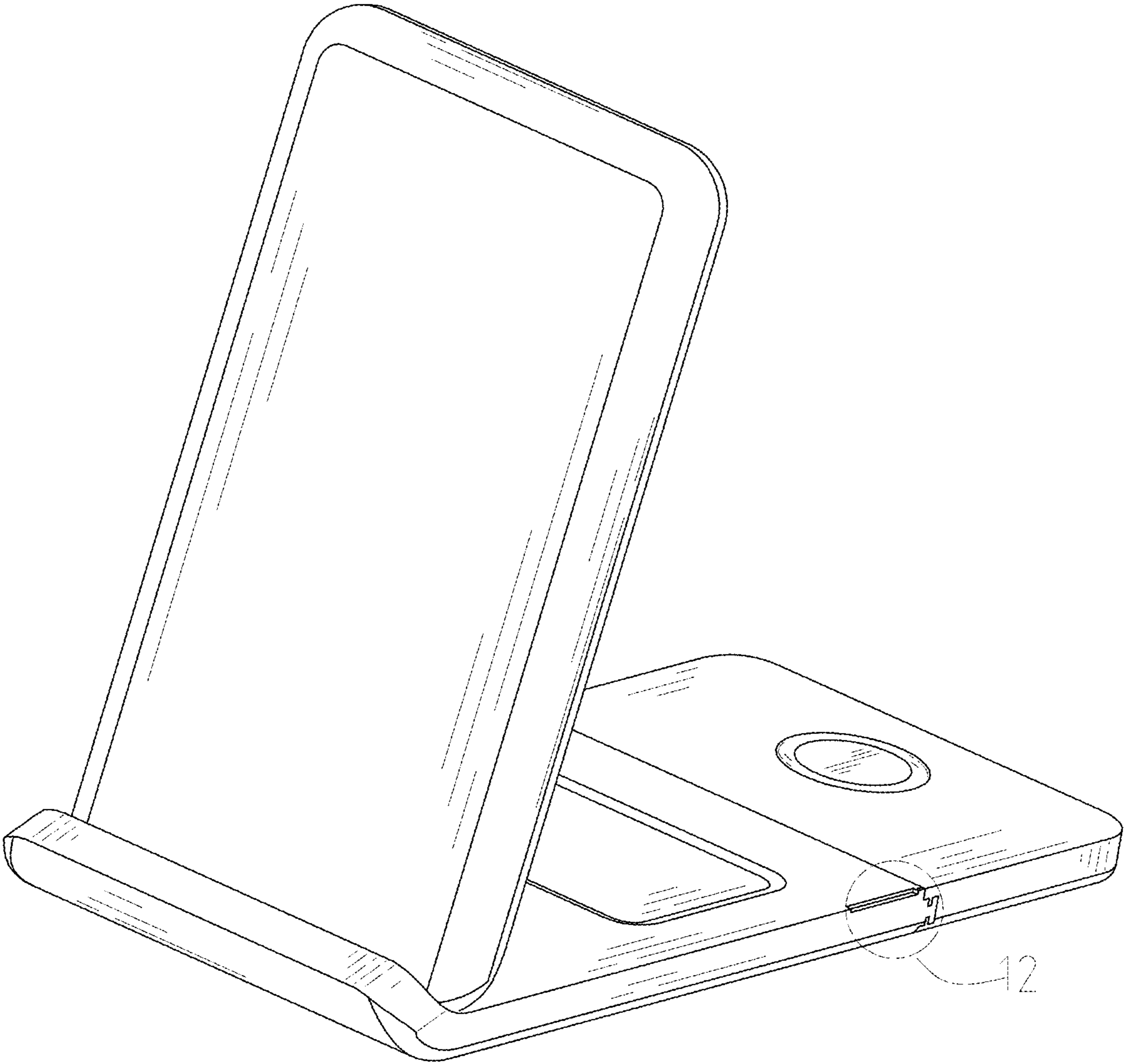


FIG. 10



FIG. 11

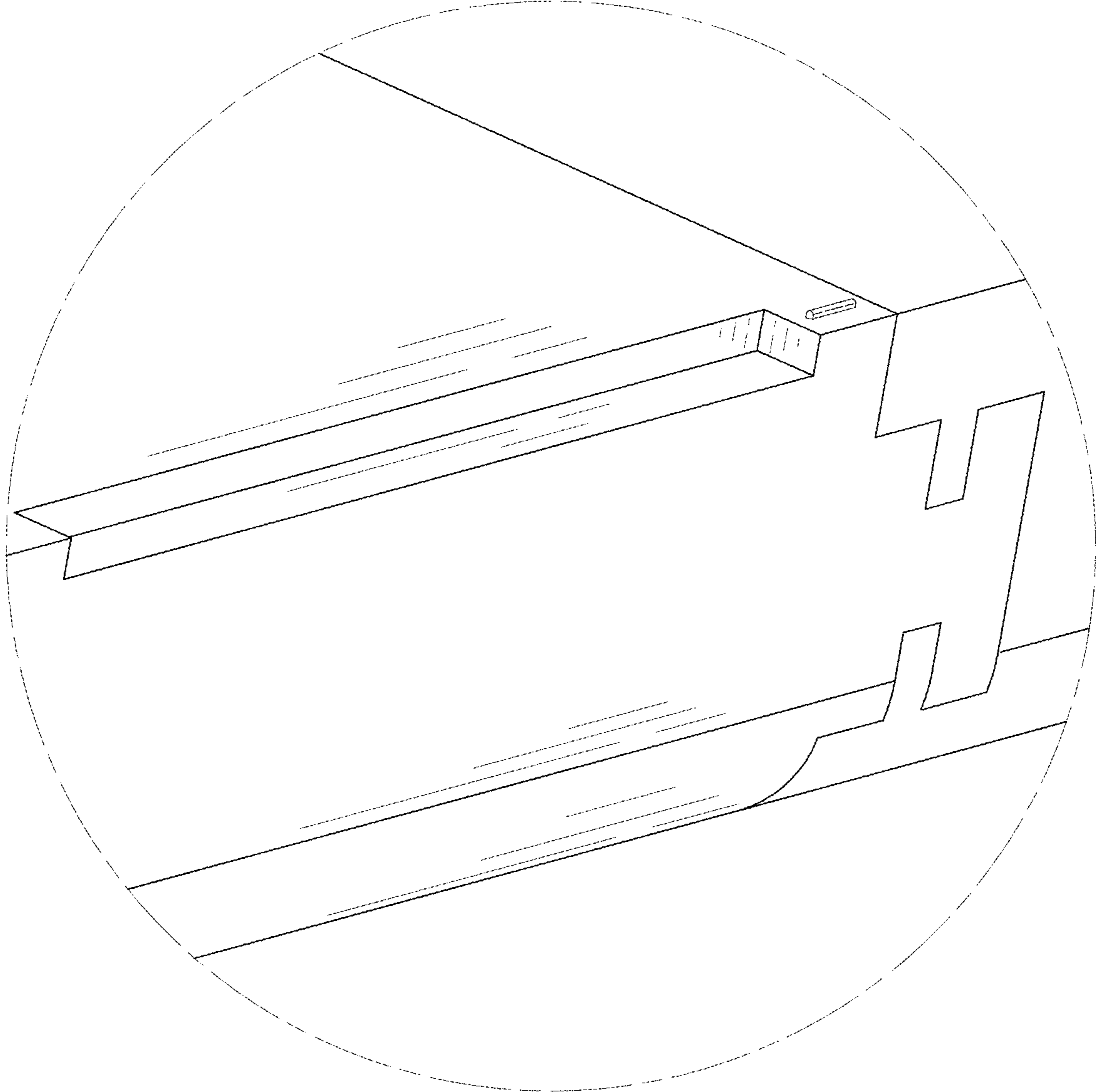


FIG. 12