



US00D974293S

(12) **United States Design Patent**
Li

(10) **Patent No.:** **US D974,293 S**
(45) **Date of Patent:** **** Jan. 3, 2023**

(54) **POWER BANK FOR VR DEVICE**

(71) Applicant: **Qingzhi Li**, Pingxiang (CN)

(72) Inventor: **Qingzhi Li**, Pingxiang (CN)

(**) Term: **15 Years**

(21) Appl. No.: **29/791,689**

(22) Filed: **Jan. 28, 2022**

(51) **LOC (14) Cl.** **13-02**

(52) **U.S. Cl.**
USPC **D13/108; D13/103**

(58) **Field of Classification Search**
USPC D13/103, 107, 108, 110, 118, 151, 153,
D13/154, 155, 184
CPC Y02E 60/10; Y02E 60/50; H01M 50/10;
H01M 50/107; H01M 50/557; H01M
50/209; H01M 50/502; H01M 2220/30;
H02J 7/00; H02J 7/0003; H02J 7/0011;
H02J 7/0013; H02J 7/0054; H02J 7/0055;
H02J 7/0057
See application file for complete search history.

(56) **References Cited**

U.S. PATENT DOCUMENTS

D400,494 S * 11/1998 Blase D13/103
D491,888 S * 6/2004 Lee D13/103
D700,136 S * 2/2014 Morris D13/103
D791,077 S * 7/2017 Tsou D13/108
D813,803 S * 3/2018 Massar D13/108
D816,026 S * 4/2018 Georgiades D13/103
D821,309 S * 6/2018 Barnard D13/108
D830,966 S * 10/2018 Siminoff D13/103
D839,823 S * 2/2019 Lemelson D13/103
D842,237 S * 3/2019 Qiu D27/101
D860,131 S * 9/2019 Siminoff D13/103
D871,325 S * 12/2019 Cai D13/108
D877,064 S * 3/2020 Jiang D13/103

D881,121 S * 4/2020 Roberts D13/103
D897,289 S * 9/2020 Busi D13/110
D900,019 S * 10/2020 Araki D13/103
D902,152 S * 11/2020 Liao D13/110
D904,299 S * 12/2020 Liao D13/110
D919,565 S * 5/2021 Liu D3/294
D926,120 S * 7/2021 Richard D13/103
D927,420 S * 8/2021 Lee D13/108
D931,806 S * 9/2021 Chen
D936,568 S * 11/2021 Yuan D13/103
D939,431 S * 12/2021 Thorne D13/103
D941,751 S * 1/2022 Boris D13/103
D949,095 S * 4/2022 Boris D13/103
D949,097 S * 4/2022 Hagleitner D13/103
D953,983 S * 6/2022 Liao D13/110
D955,328 S * 6/2022 Lloyd D13/103
11,387,524 B2 * 7/2022 Pellenc H01M 50/502

* cited by examiner

Primary Examiner — Christy Nemeth

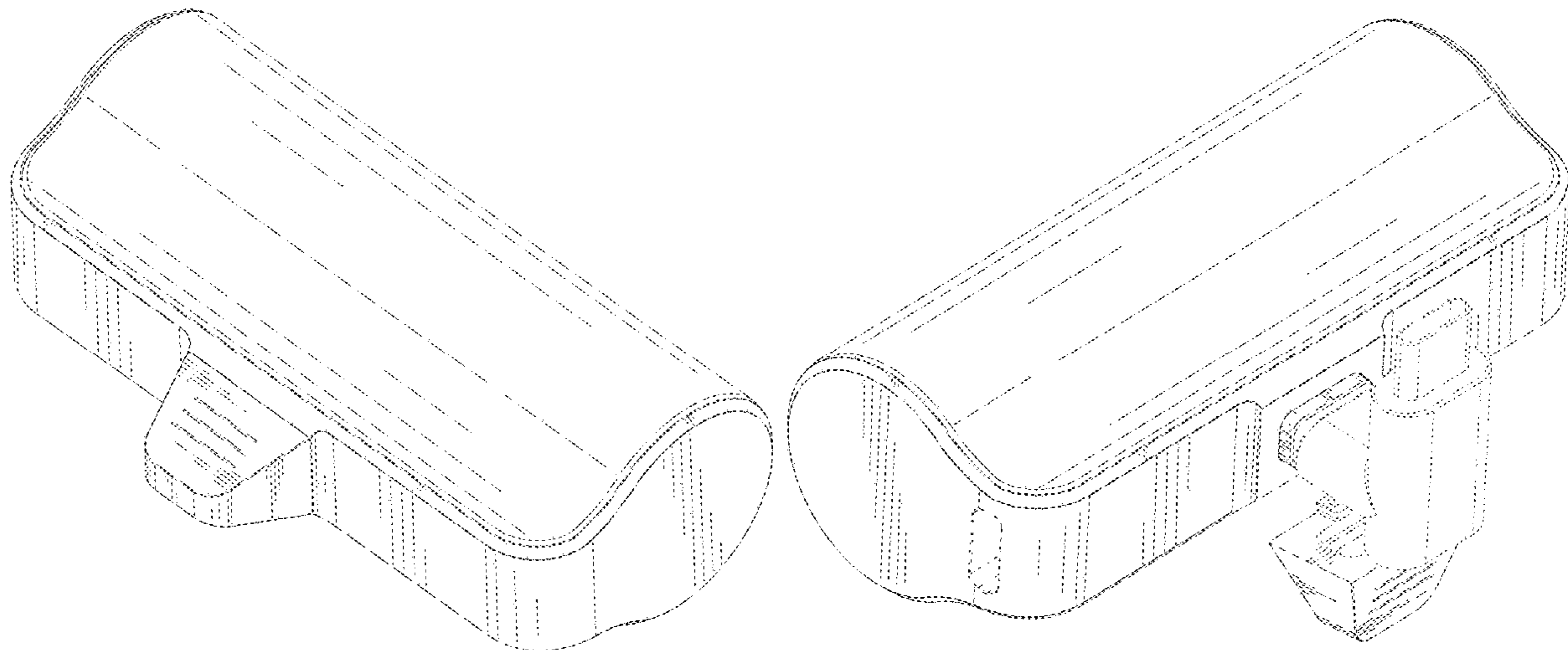
(57) **CLAIM**

The ornamental design for a power bank for VR device, as shown and described.

DESCRIPTION

FIG. 1 is a front and top perspective view of a power bank for VR device, showing my new design;
FIG. 2 is a rear and bottom perspective view thereof, shown in a state of use;
FIG. 3 is a front elevation view thereof;
FIG. 4 is a rear elevation view thereof;
FIG. 5 is a left side elevation view thereof;
FIG. 6 is a right side elevation view thereof;
FIG. 7 is a top plan view thereof; and,
FIG. 8 is a bottom plan view thereof.
The broken lines in the figures illustrate portions of the power bank for VR device that form no part of the claimed design.

1 Claim, 8 Drawing Sheets



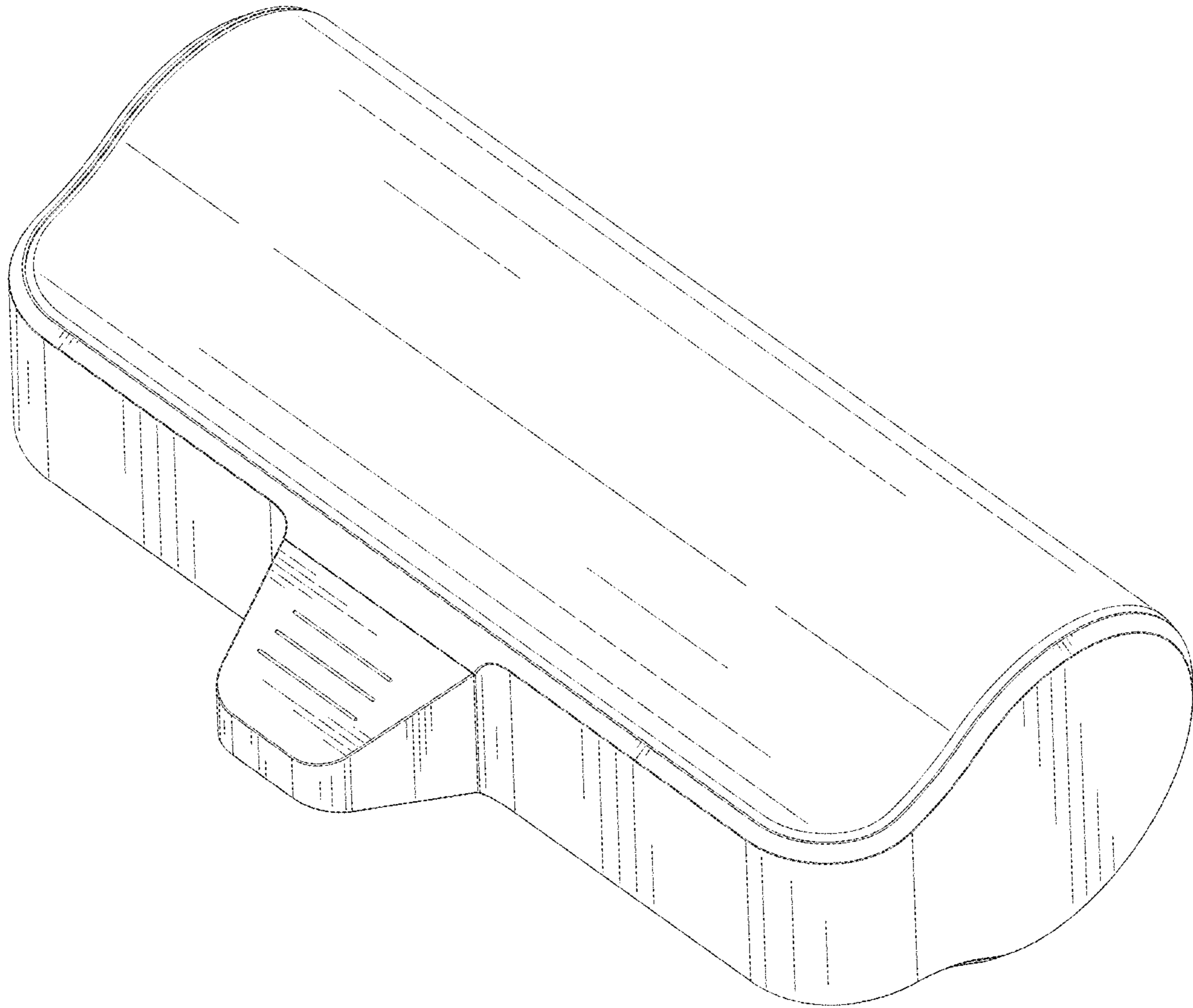


FIG. 1

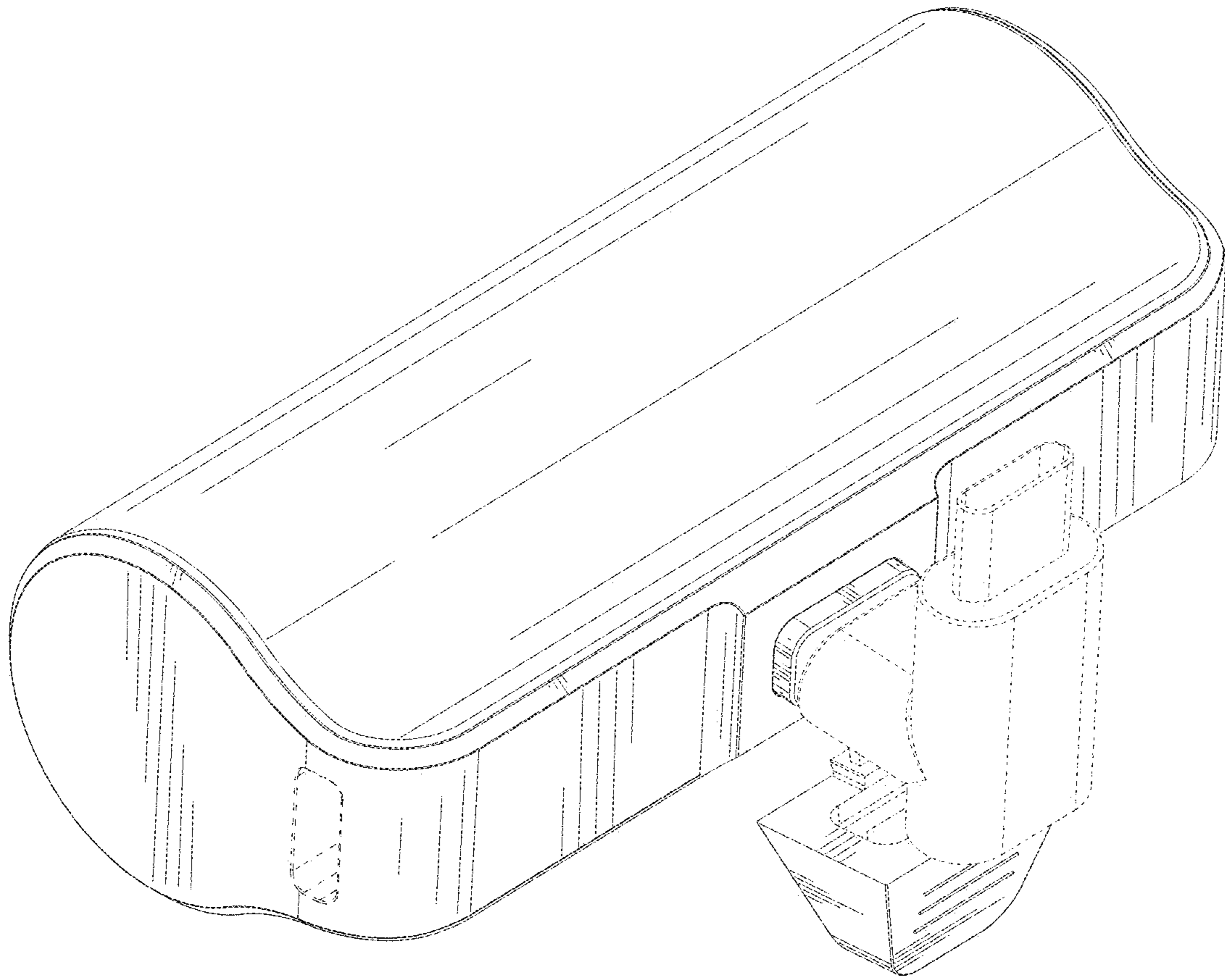


FIG.2

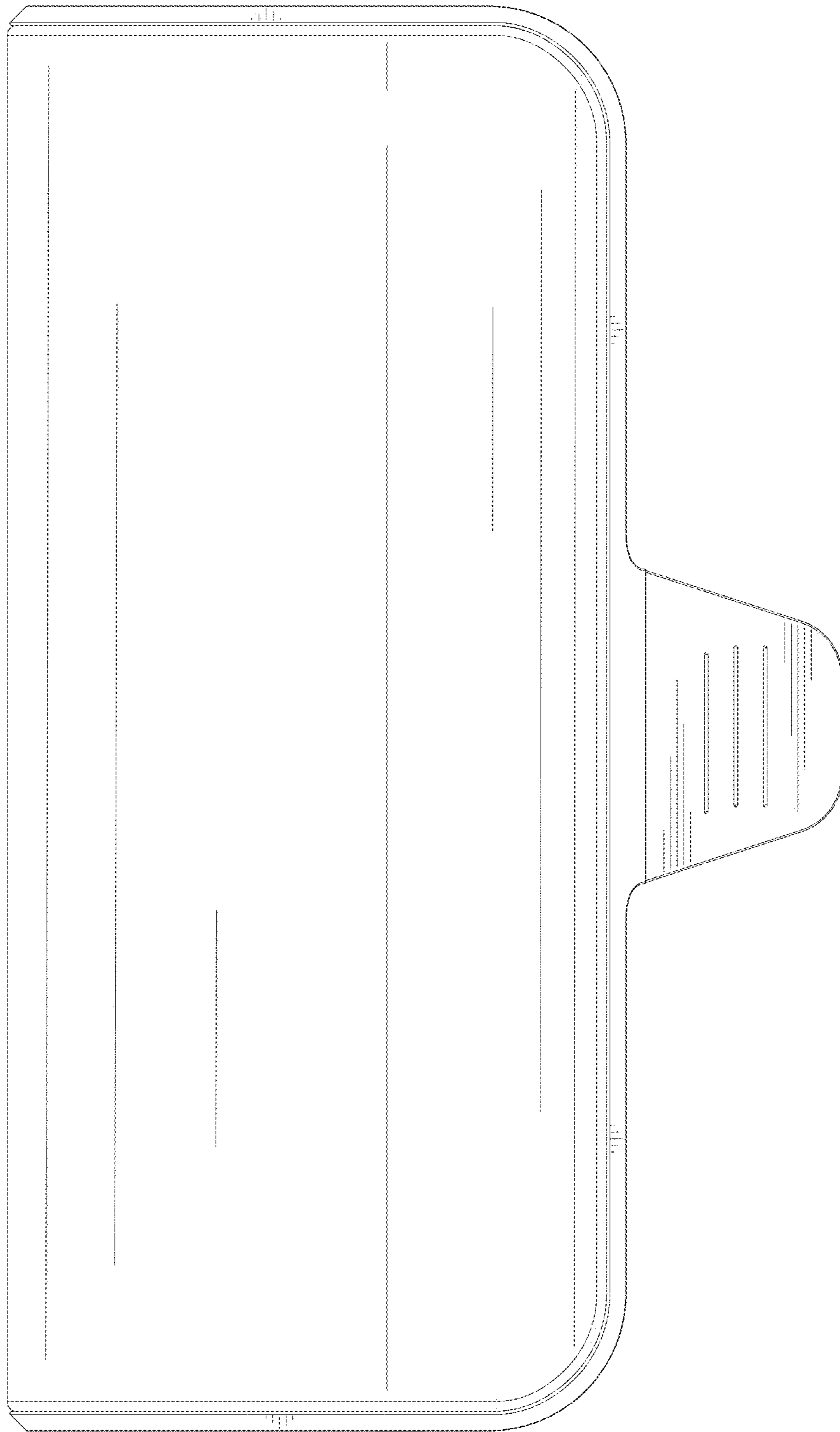


FIG. 3

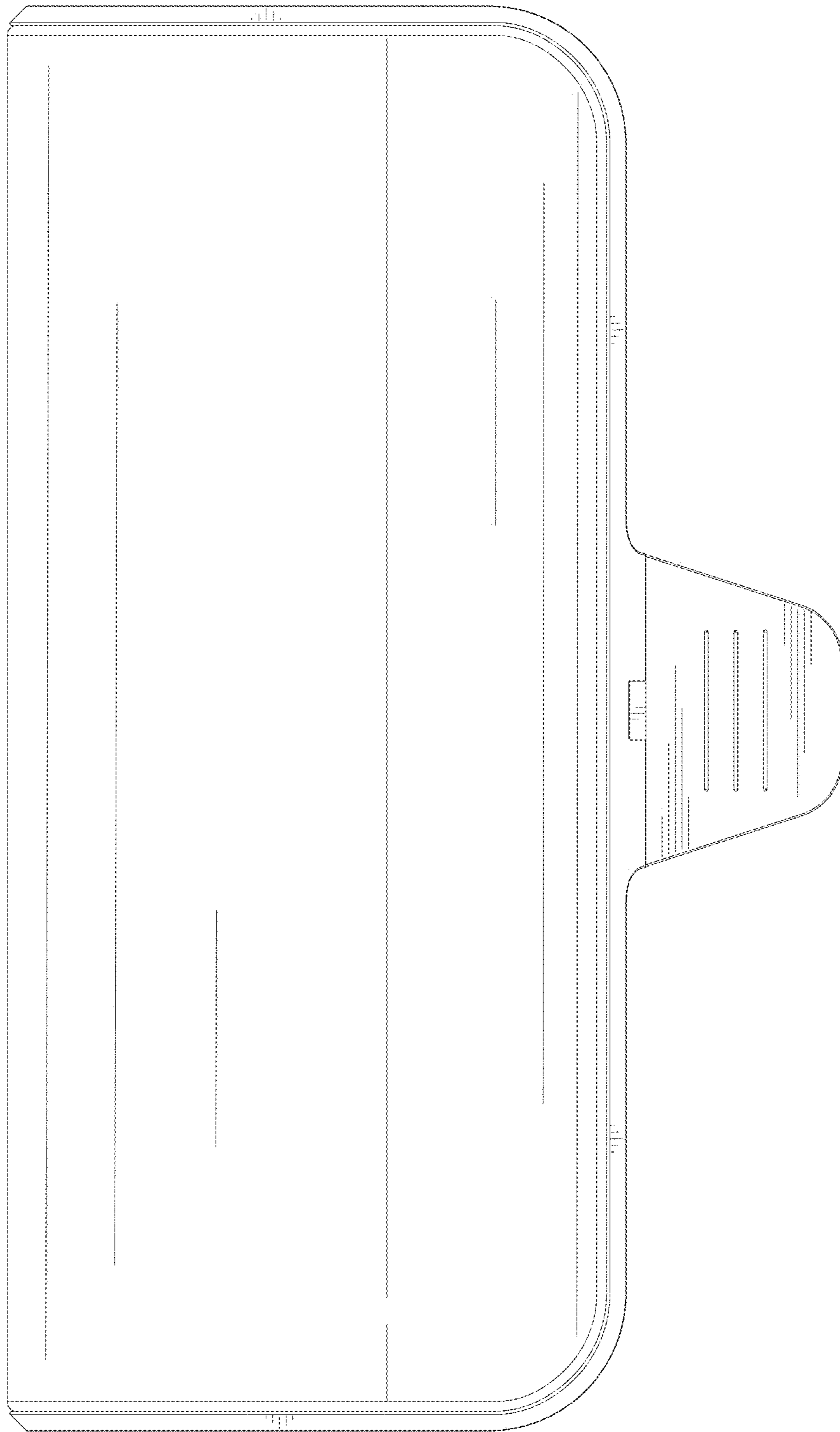


FIG. 4

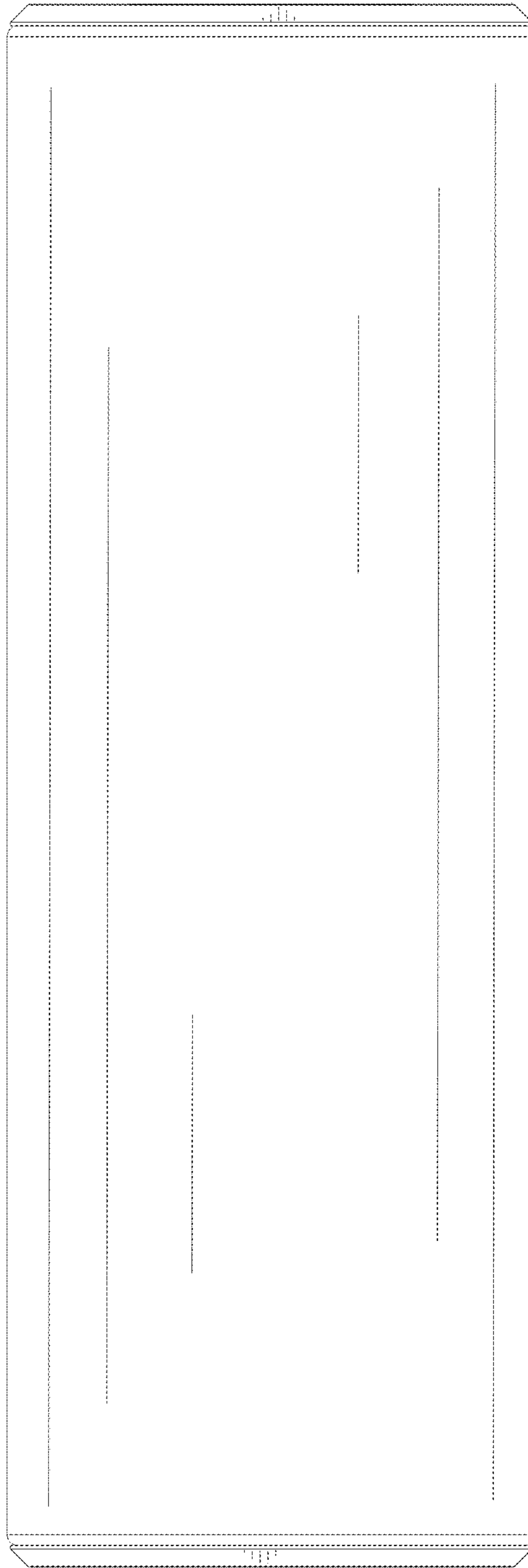


FIG. 5

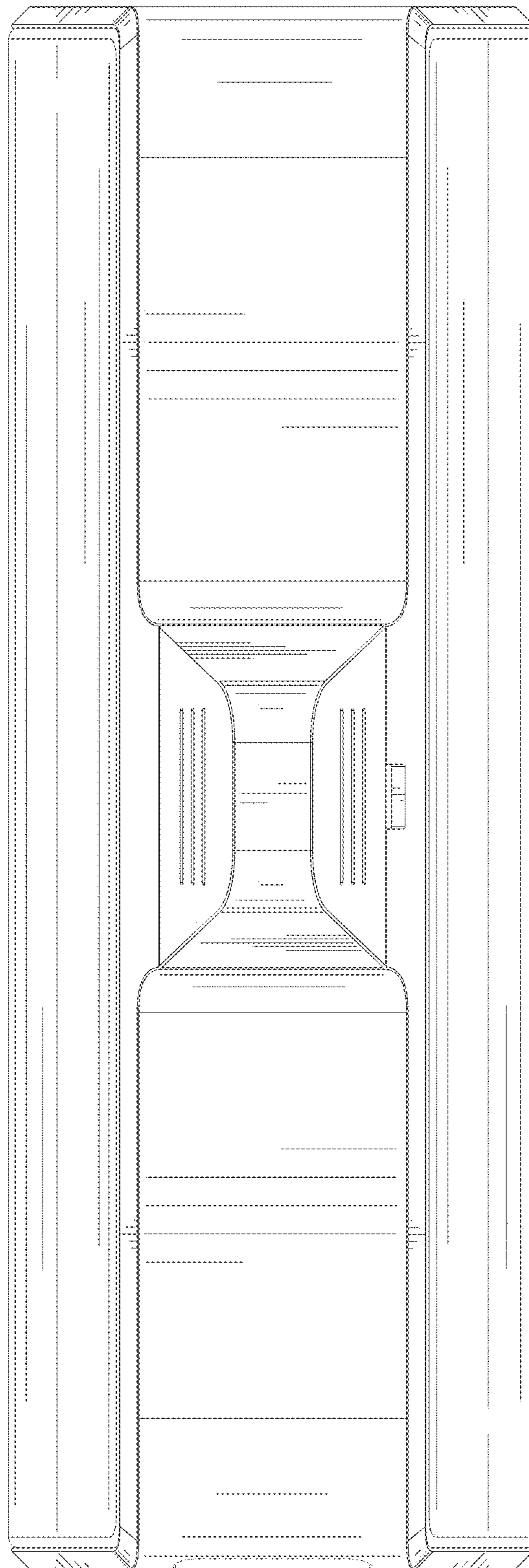


FIG. 6

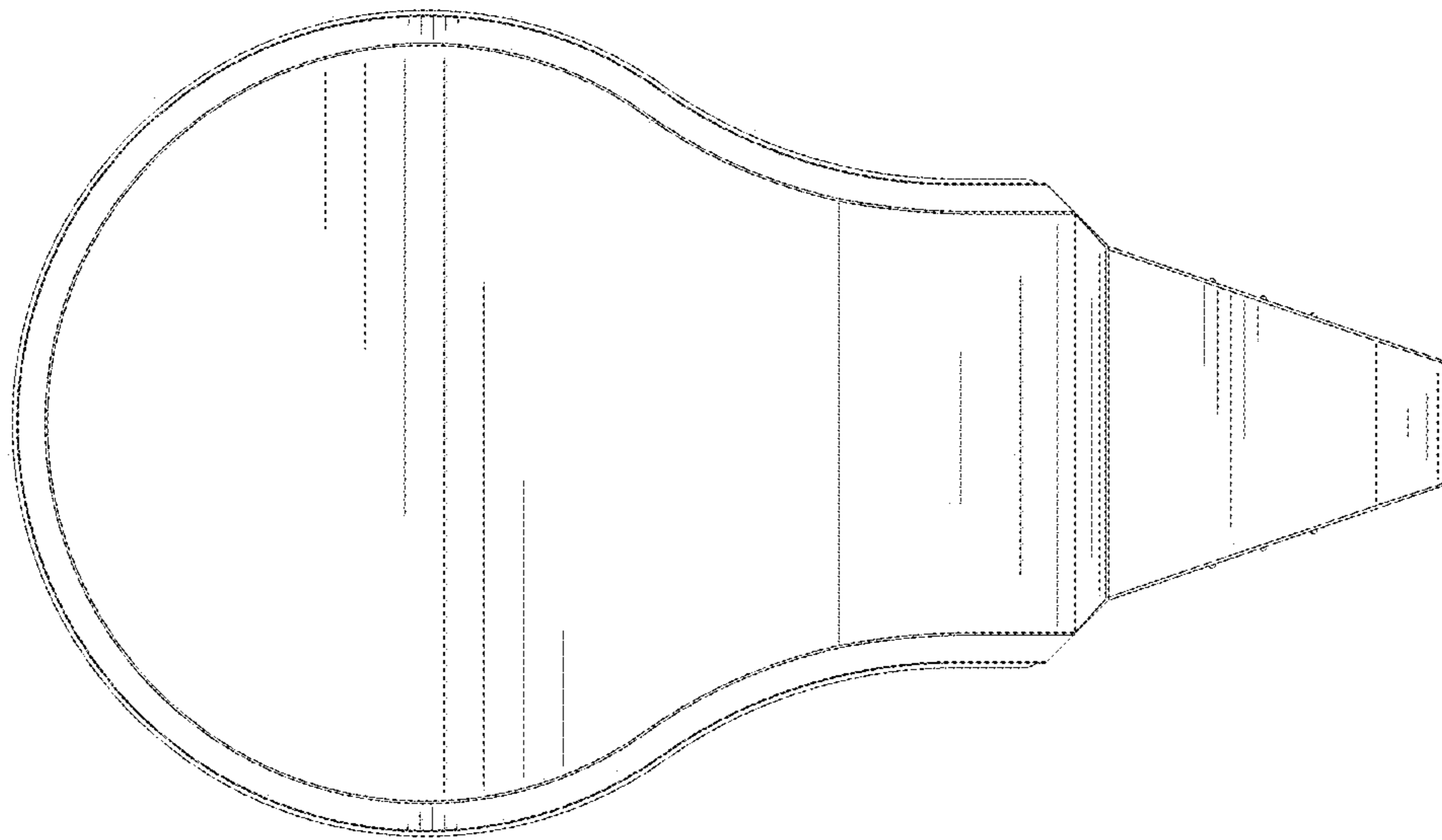


FIG.7

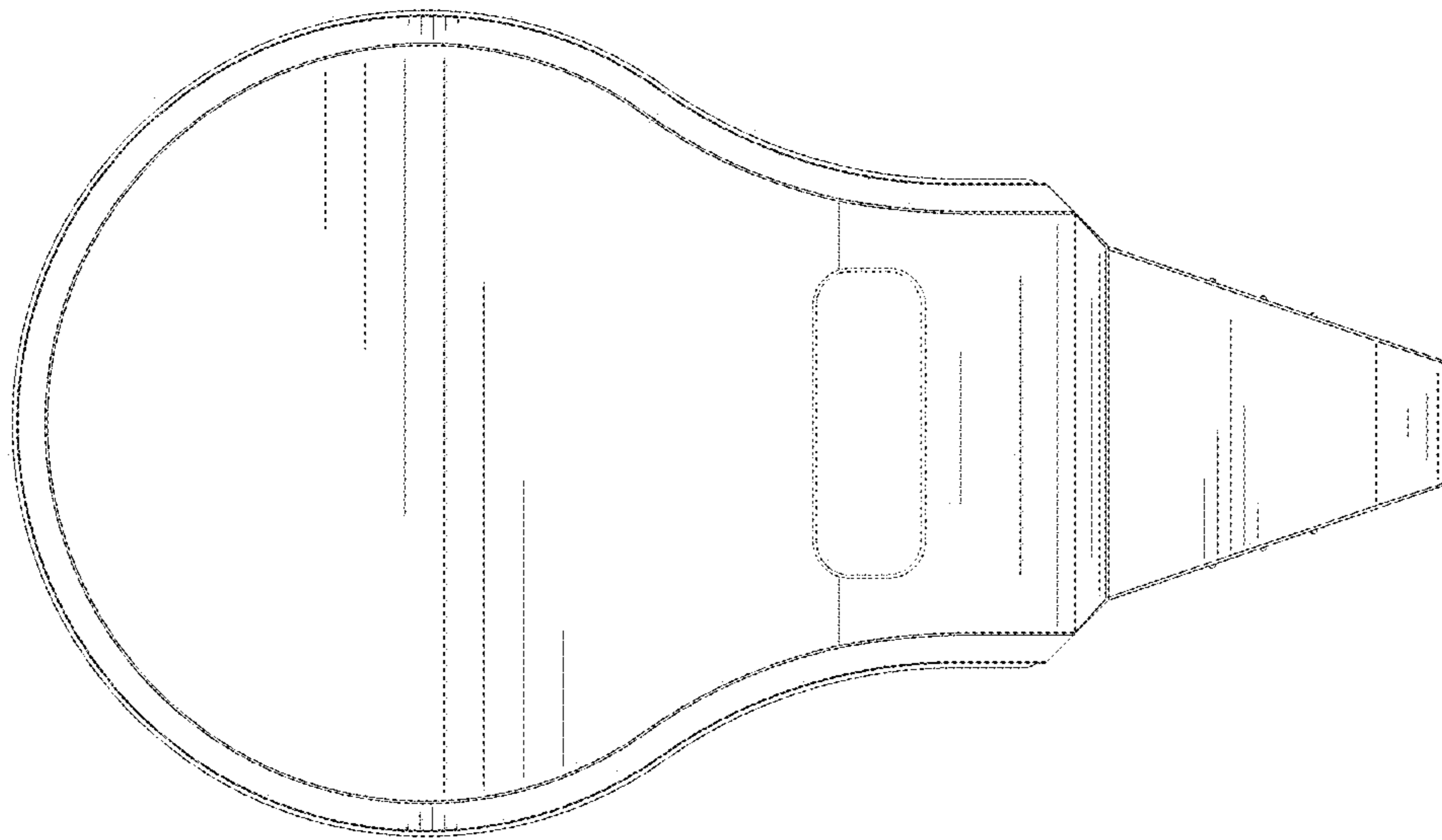


FIG.8