



US00D974292S

(12) **United States Design Patent** (10) **Patent No.:** **US D974,292 S**
Park et al. (45) **Date of Patent:** **** Jan. 3, 2023**

(54) **CHARGING HOLDER FOR VACUUM CLEANER**

(71) Applicant: **SAMSUNG ELECTRONICS CO., LTD.**, Suwon-si (KR)

(72) Inventors: **Sook-Young Park**, Suwon-si (KR);
Hyoung-Sub Choi, Suwon-si (KR);
Yeon-Su Kim, Suwon-si (KR)

(73) Assignee: **SAMSUNG ELECTRONICS CO., LTD.**, Gyeonggi-Do (KR)

(**) Term: **15 Years**

(21) Appl. No.: **29/787,884**

(22) Filed: **Jun. 9, 2021**

(30) **Foreign Application Priority Data**

Dec. 11, 2020 (KR) 30-2020-0061590

(51) **LOC (14) Cl.** **13-02**

(52) **U.S. Cl.**
USPC **D13/108; D32/31**

(58) **Field of Classification Search**
USPC D13/107-108, 110, 118-119, 184, 199;
D14/251, 253, 432, 434, 447; D32/31
(Continued)

(56) **References Cited**

U.S. PATENT DOCUMENTS

D640,194 S * 6/2011 Kim D32/31
D675,154 S 1/2013 Nam et al.
(Continued)

FOREIGN PATENT DOCUMENTS

EM 000899901-0005 4/2008
EM 001801309-0001 1/2011
(Continued)

OTHER PUBLICATIONS

“Yeedi vac Station Robot Vacuum and Mop, Self Emptying 3-in-1, 3000Pa Suction, 200Mins Runtime with Clean Schedule, Smart Mapping and Carpet Detection, Editable Map, Virtual Boundary”, Amazon.com, first available on Apr. 21, 2021. Retrieved from the internet: <<https://www.amazon.com/Station-Self-Emptying-Editable-Schedule-Boundary/dp/B092VCXDB1/>>. (Year: 2021).*

Primary Examiner — Rosemary K Tarcza

(74) *Attorney, Agent, or Firm* — Cantor Colburn LLP

(57) **CLAIM**

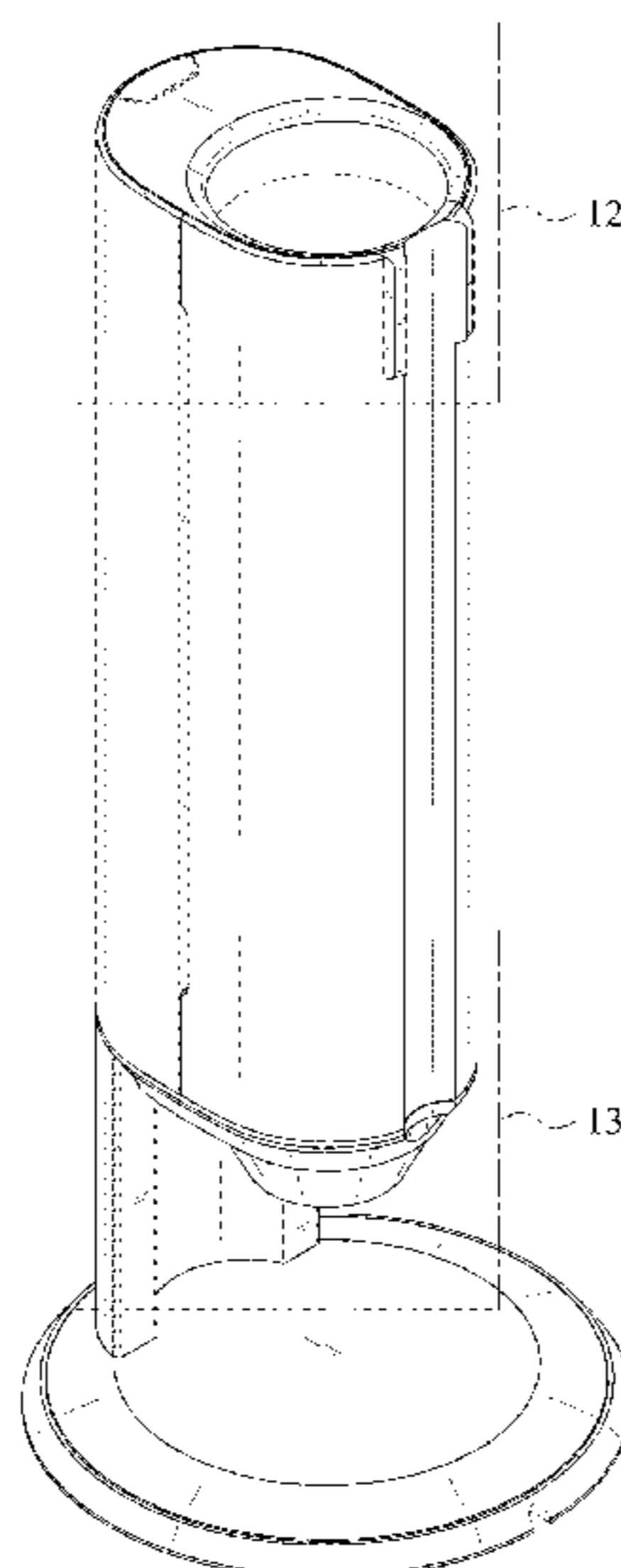
The ornamental design for a charging holder for vacuum cleaner, as shown and described.

DESCRIPTION

FIG. 1 is a front perspective view of a charging holder for vacuum cleaner, showing our new design;
FIG. 2 is a front view thereof;
FIG. 3 is a rear view thereof;
FIG. 4 is a left-side view thereof;
FIG. 5 is a right-side view thereof;
FIG. 6 is a top view thereof;
FIG. 7 is a bottom view thereof;
FIG. 8 is a rear perspective view thereof;
FIG. 9 is an enlarged view of the encircled portion 9 in FIG. 1;
FIG. 10 is an enlarged view of the encircled portion 10 in FIG. 1;
FIG. 11 is an enlarged view of the encircled portion 11 in FIG. 1;
FIG. 12 is an enlarged view of the encircled portion 12 in FIG. 8; and,
FIG. 13 is an enlarged view of the encircled portion 13 in FIG. 8.

The even-dash broken lines illustrating portions of the charging holder form no part of the claimed design. The dot-dash broken lines encircling enlargement portions of the claimed design form no part of the claimed design.

1 Claim, 13 Drawing Sheets



(58) **Field of Classification Search**

CPC .. H02J 7/025; H02J 7/005; H02J 50/00; H02J
50/10; H02J 50/12; H02J 50/80; H02J
7/02; H02J 7/0026; H02J 7/0042; H02J
7/0044; H02J 7/0045; H02J 7/0013; H02J
7/0003; A47L 9/0009; A47L 2201/02;
A47L 2201/022

See application file for complete search history.

(56) **References Cited**

U.S. PATENT DOCUMENTS

9,462,920 B1 * 10/2016 Morin A47L 9/2842
D908,992 S * 1/2021 Jang D32/30
D931,202 S * 9/2021 Lai D27/162
D948,822 S * 4/2022 Kim D32/31
D960,093 S * 8/2022 Farrow D13/110
D961,177 S * 8/2022 Jang D32/31
2016/0183752 A1 * 6/2016 Morin A47L 9/009
15/340.1
2020/0077858 A1 * 3/2020 Zhang A47L 11/4061
2020/0359868 A1 * 11/2020 Bo A47L 9/2873
2020/0405107 A1 * 12/2020 Na A47L 5/22
2021/0330157 A1 * 10/2021 Conrad A47L 9/248
2022/0022718 A1 * 1/2022 Wu G05D 1/0214
2022/0233991 A1 * 7/2022 Conrad A47L 9/2873

FOREIGN PATENT DOCUMENTS

KR 301025451-0008 S 10/2019
KR 301058882 S 5/2020

* cited by examiner

FIG. 1

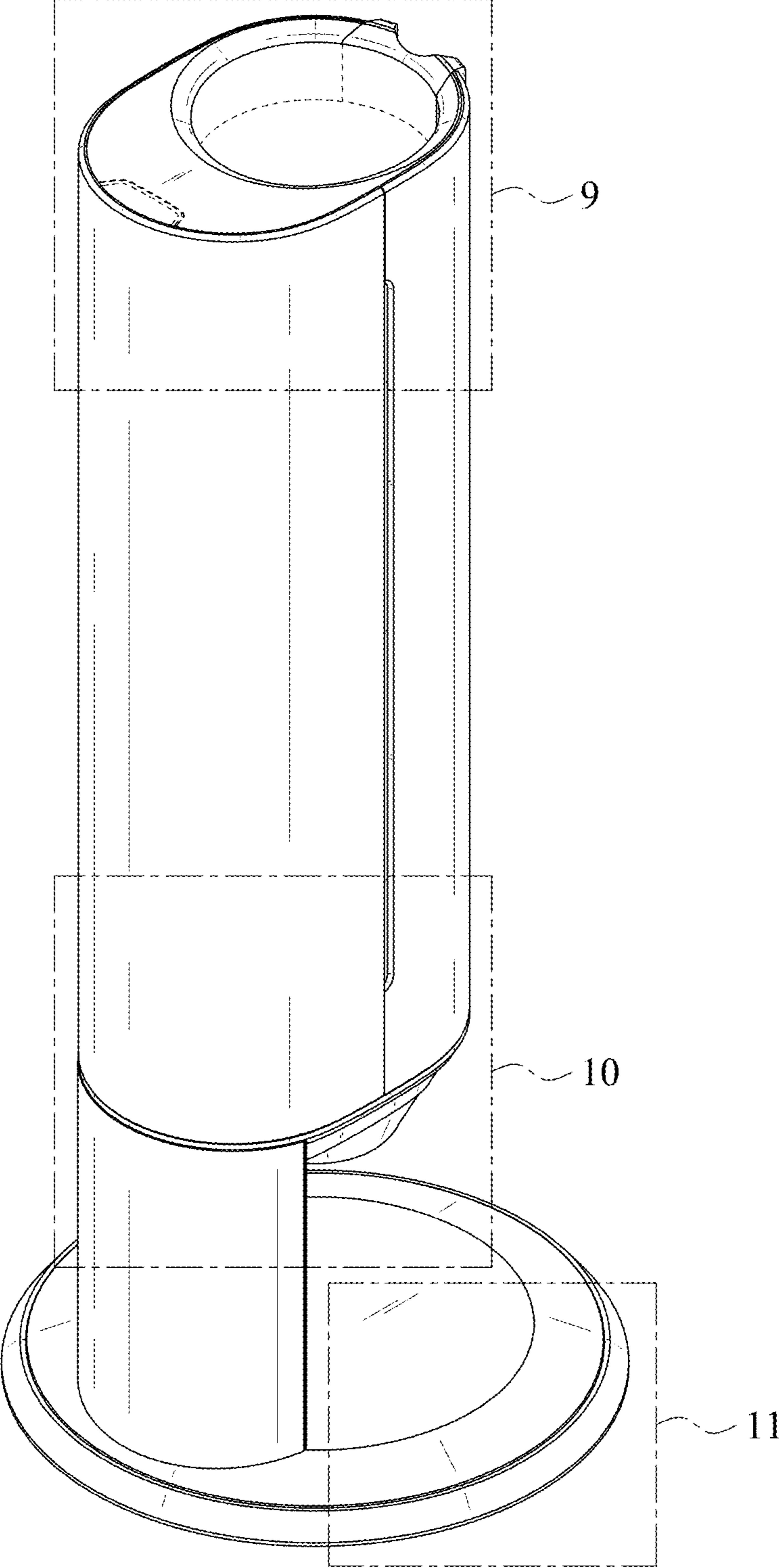


FIG. 2

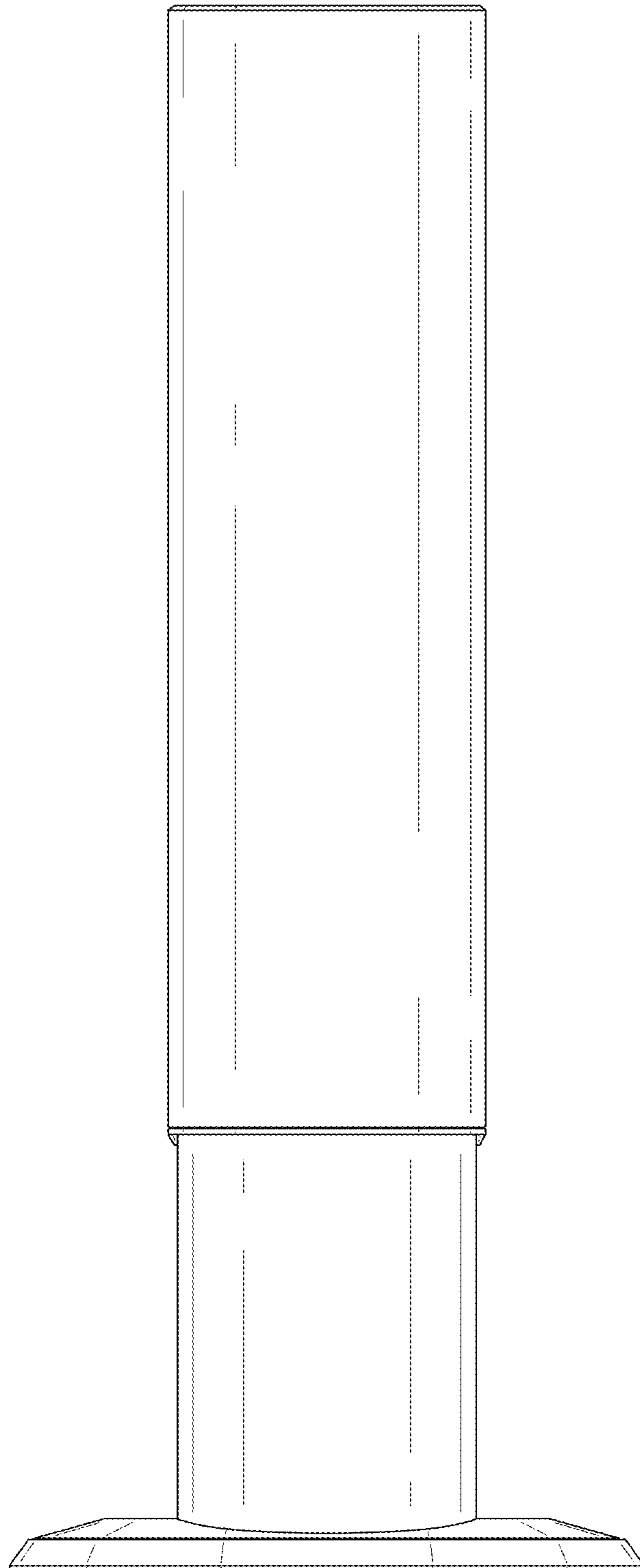


FIG. 3

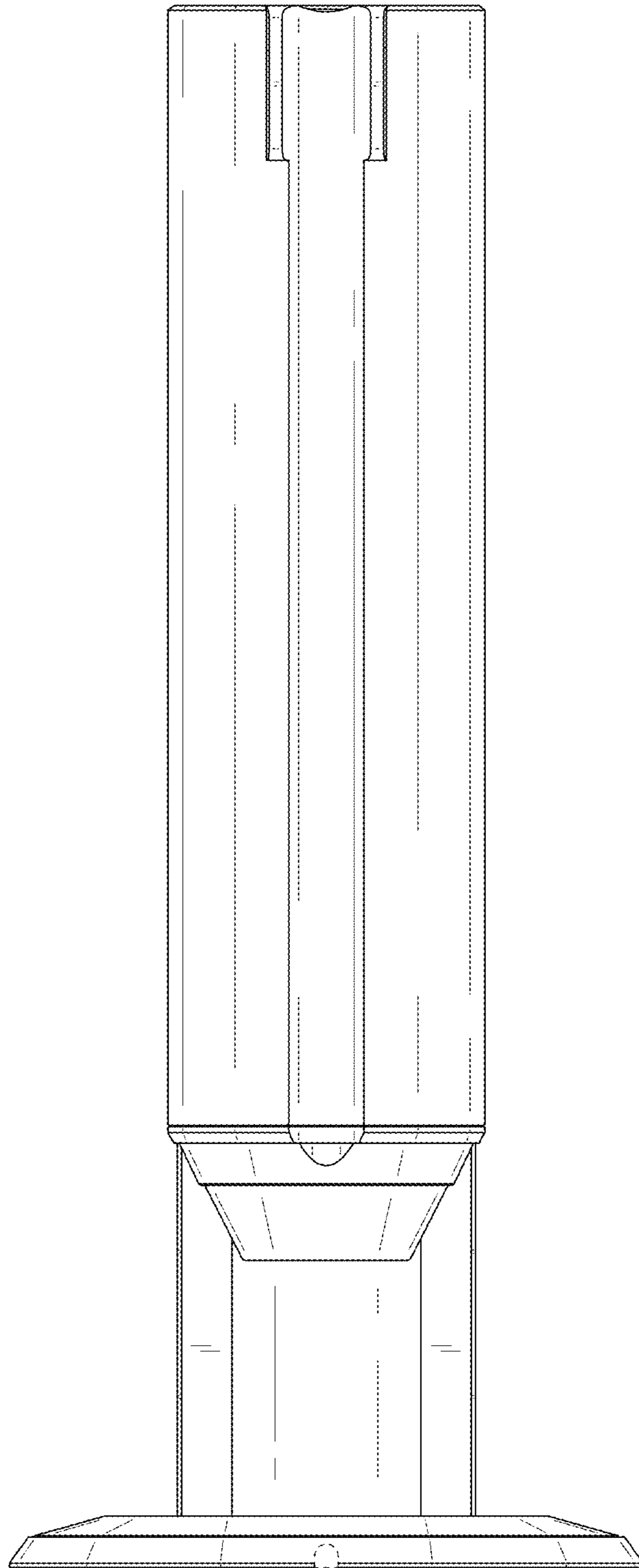


FIG. 4

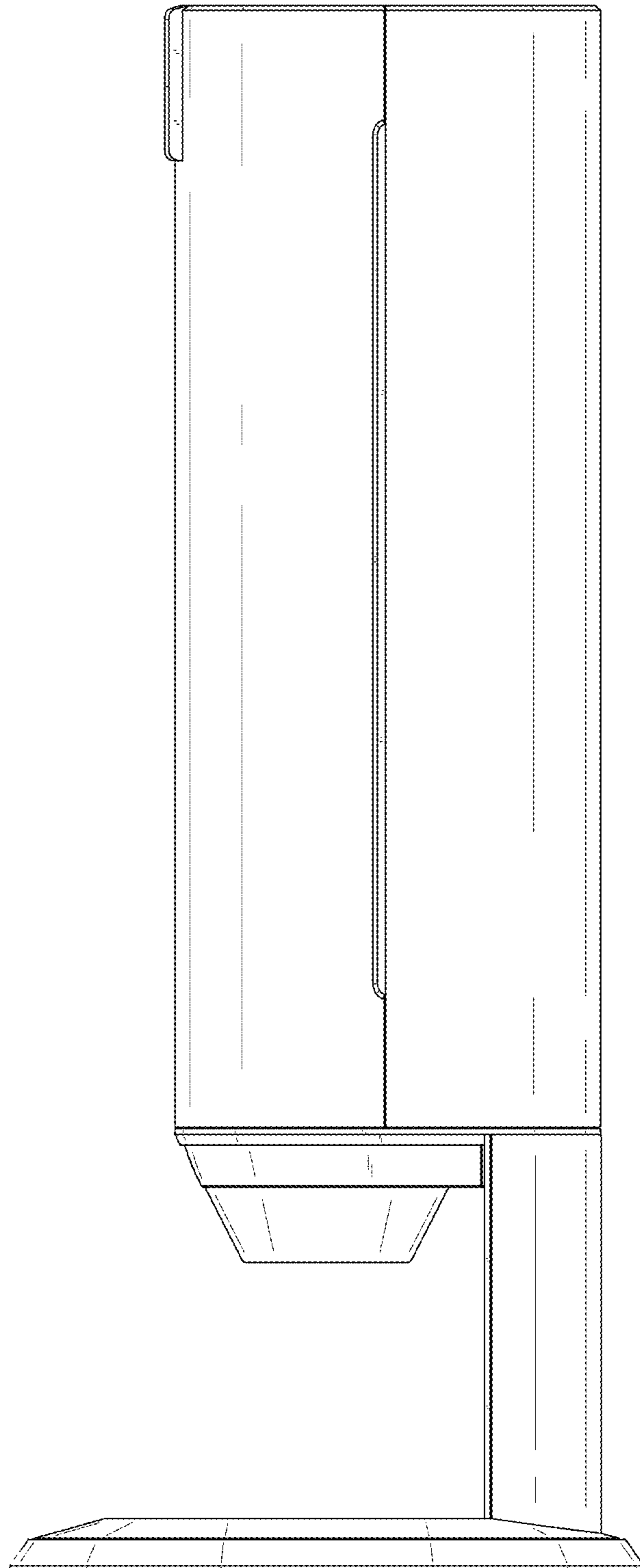


FIG. 5

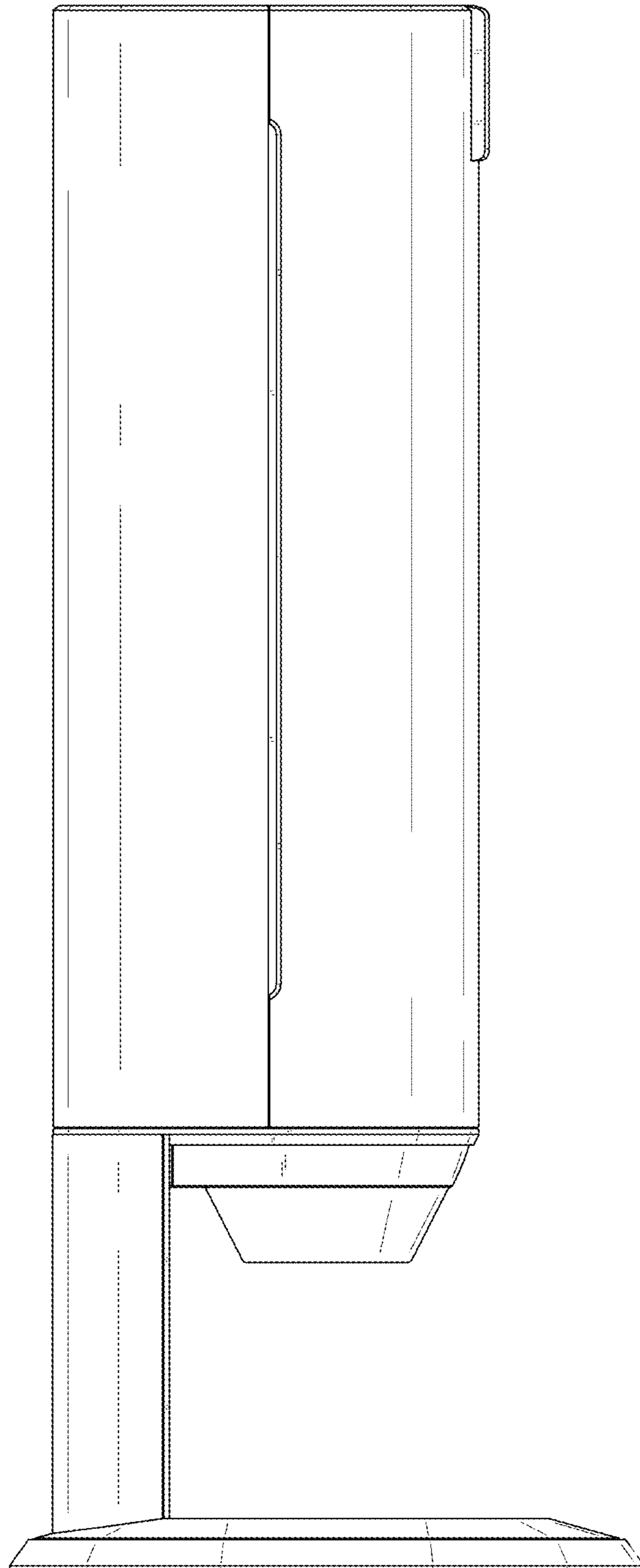


FIG. 6

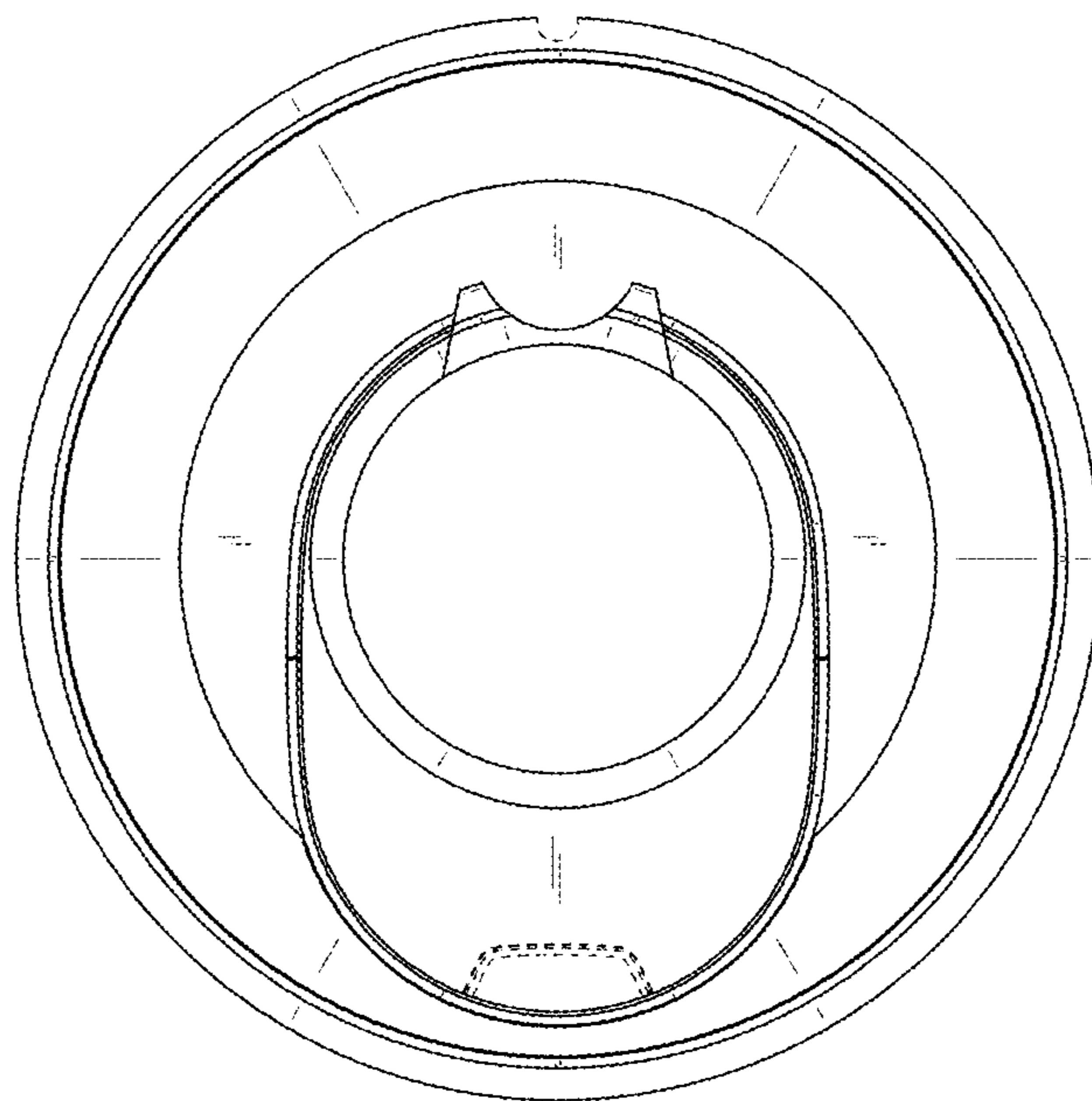


FIG. 7

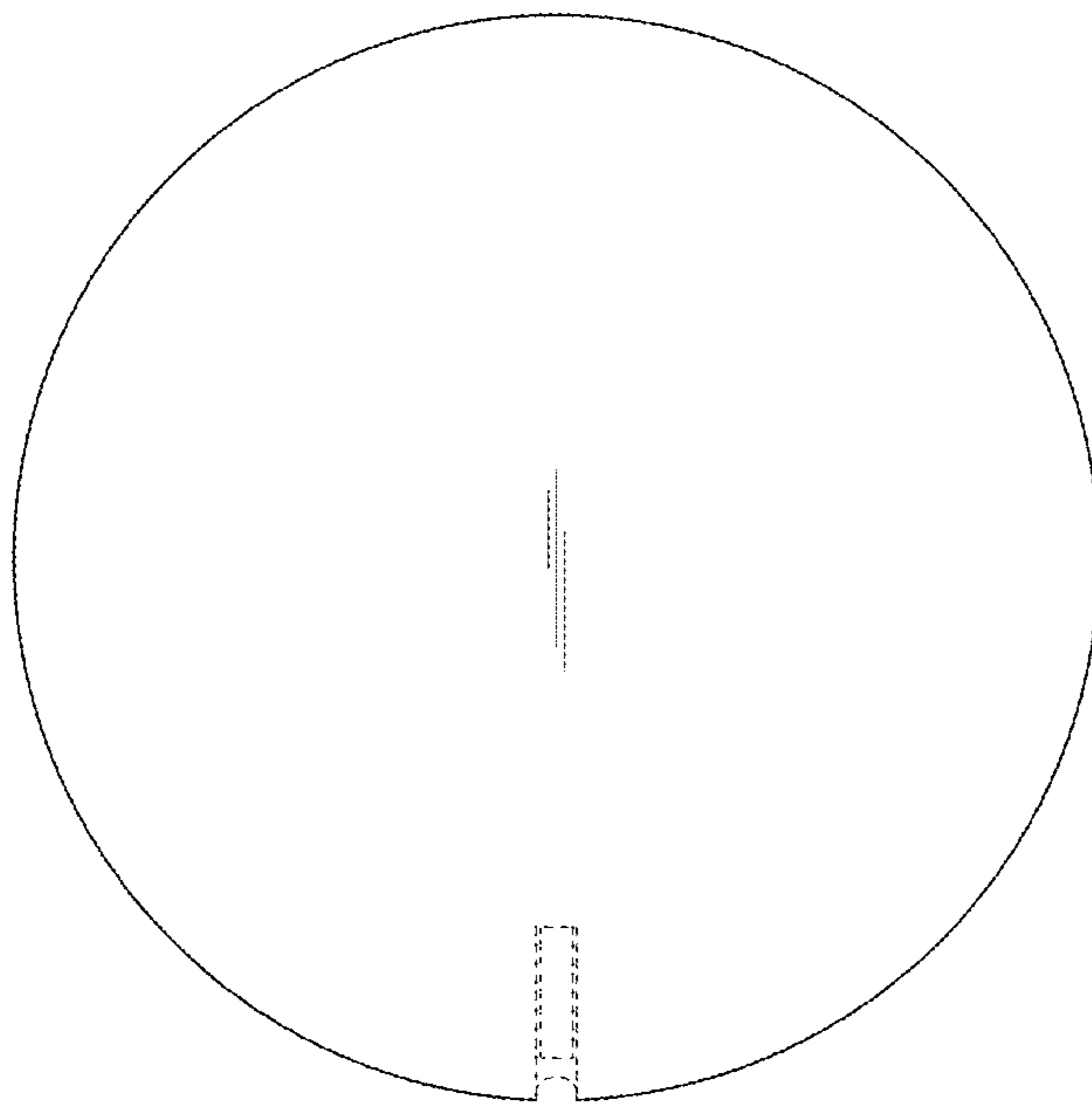


FIG. 8

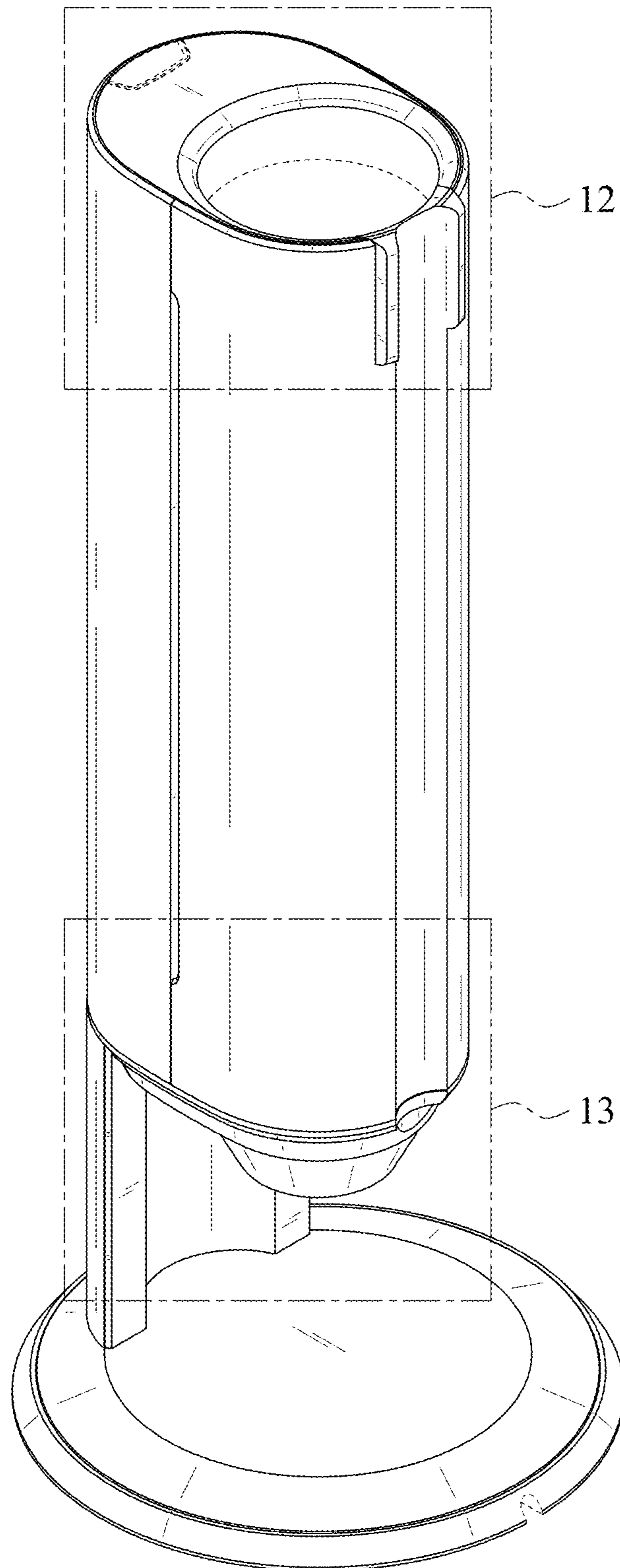


FIG. 9

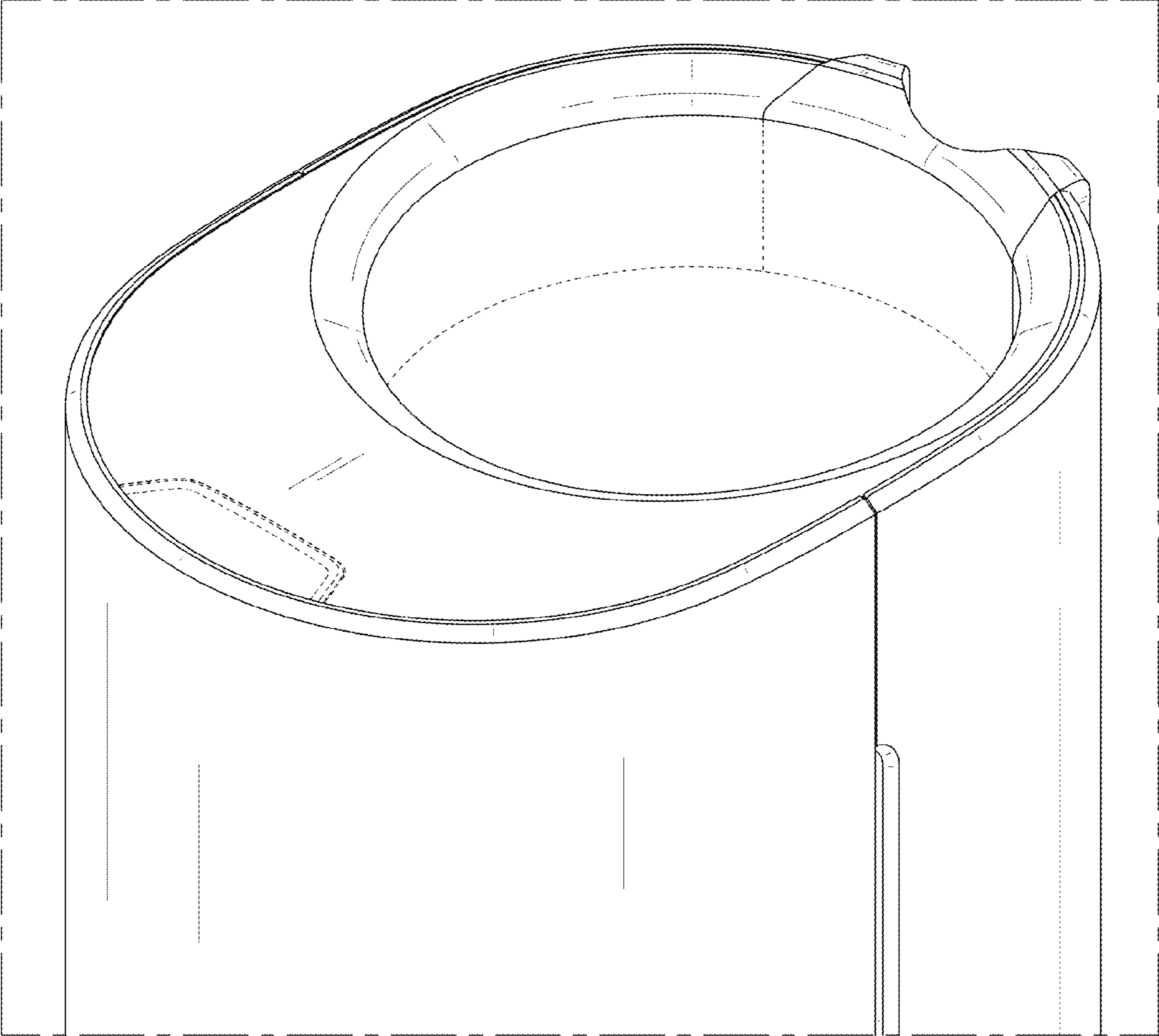


FIG. 10

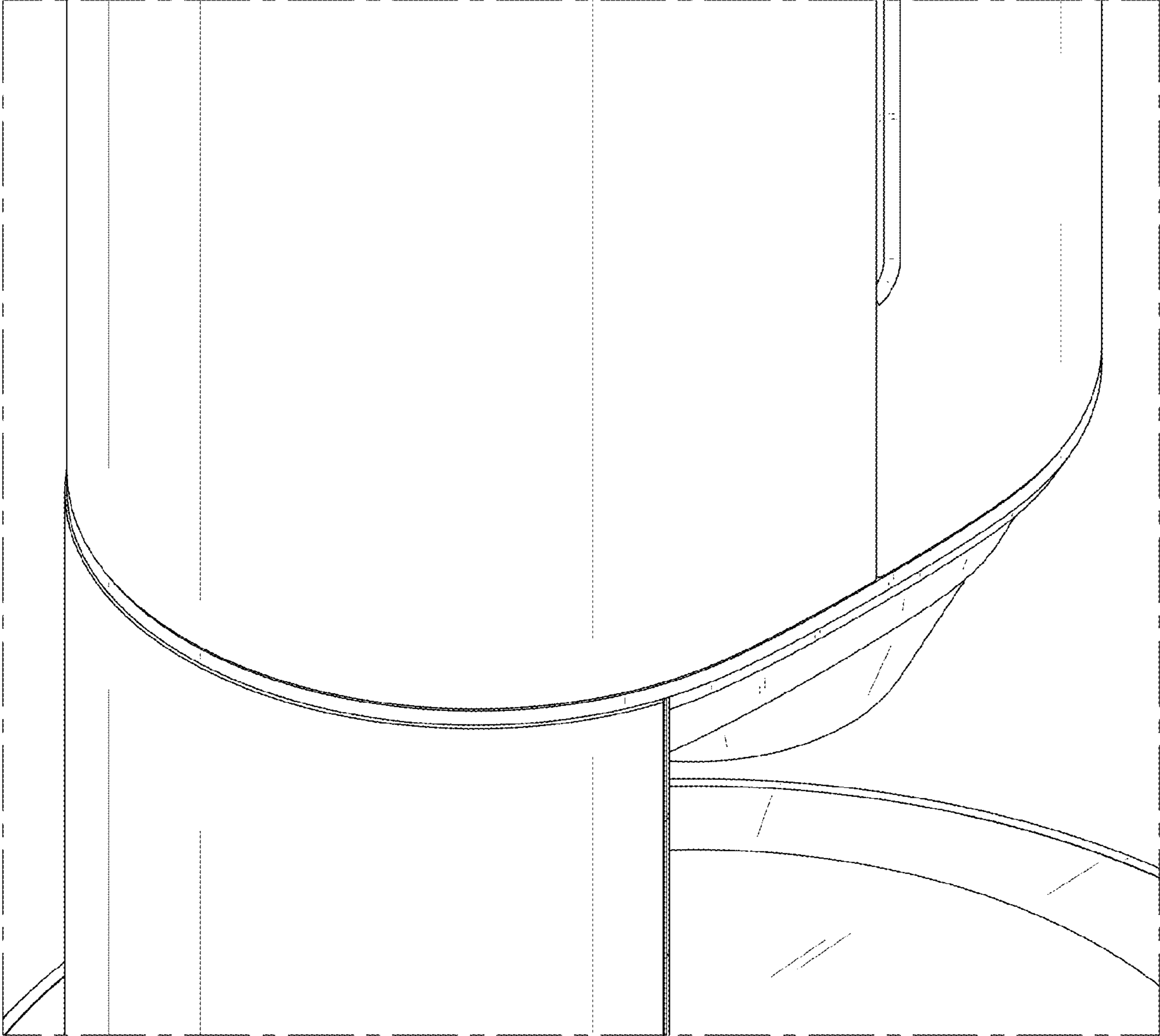


FIG. 11

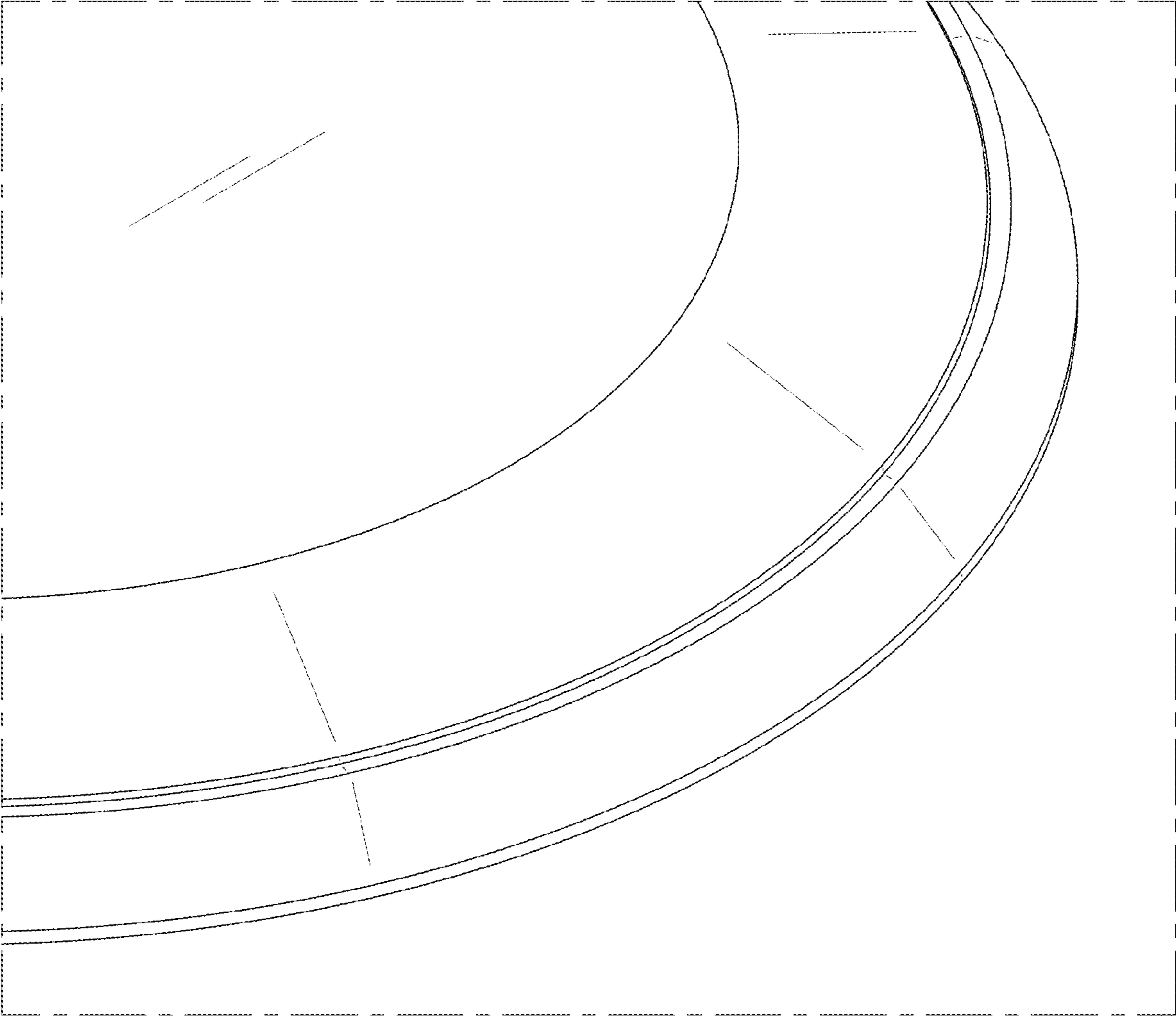


FIG. 12

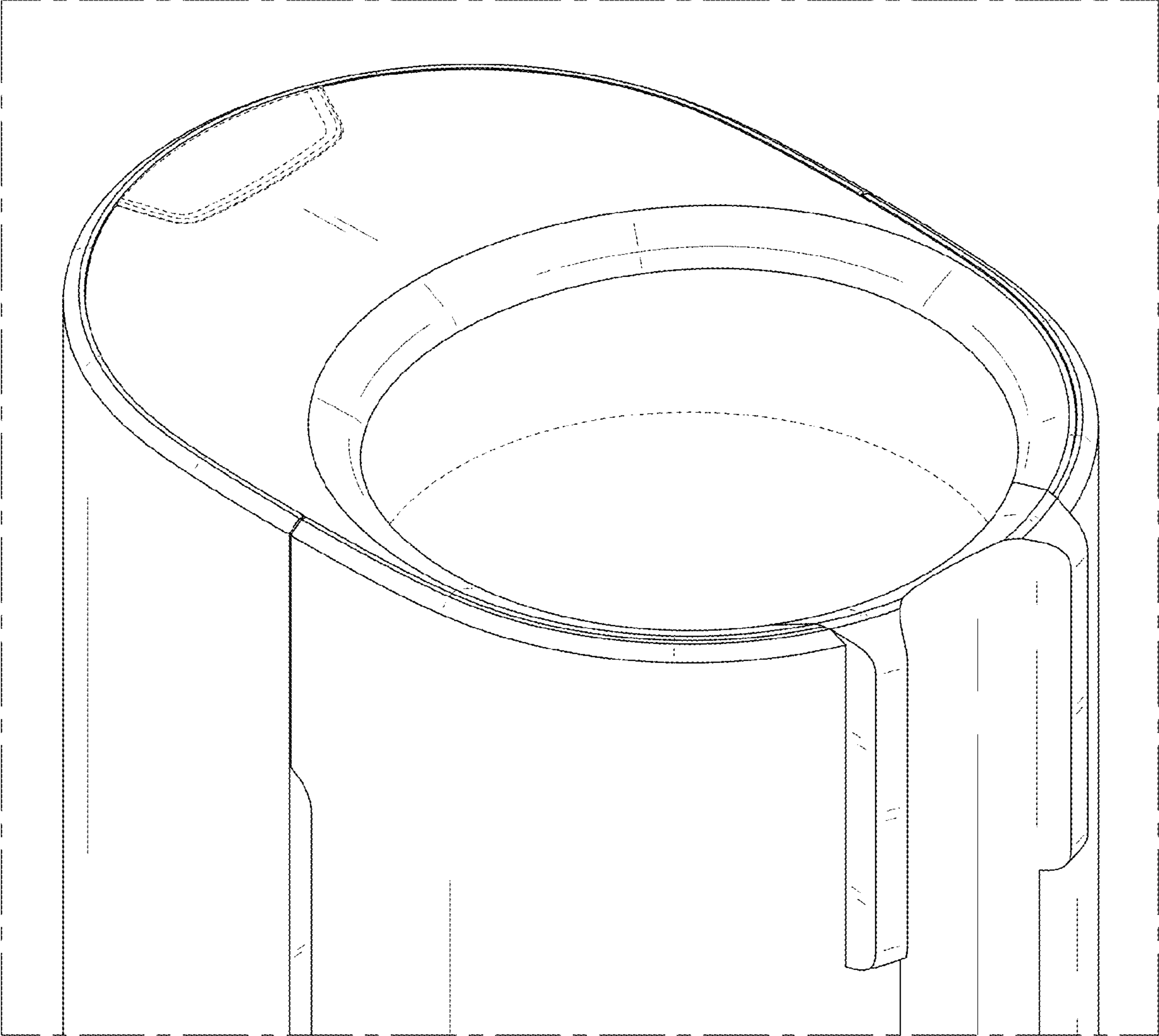


FIG. 13

