



US00D974291S

(12) **United States Design Patent** (10) **Patent No.:** **US D974,291 S**
Moulik et al. (45) **Date of Patent:** **** Jan. 3, 2023**

(54) **MOUNTABLE VEHICLE CHARGER**

FOREIGN PATENT DOCUMENTS

(71) Applicant: **SemaConnect, Inc.**, Bowie, MD (US)

CN 307416929 * 6/2022
GB 6151416 * 7/2021

(72) Inventors: **Dyutiman Moulik**, Bengaluru (IN);
Mahi Reddy, Annapolis, MD (US);
Harsha Kollaramajalu, Bangalore
(IN); **Rajat Hegde**, Karnataka (IN);
Siddhartha Kodgi, College Park, MD
(US)

(Continued)

OTHER PUBLICATIONS

(73) Assignee: **SemaConnect, Inc.**, Bowie, MD (US)

Crescent Electric Supply Company, announced Sep. 20, 2019
[online], retrieved on Jun. 30, 2022, retrieved on internet, <https://www.crescentelectric.com/power-distribution-and-protection/electric-vehicle-charging-stations-and-accessories/series-6-station--w-18ft-cable> (Year: 2019).*

(**) Term: **15 Years**

(Continued)

(21) Appl. No.: **29/774,087**

Primary Examiner — Messina L Smith

(22) Filed: **Mar. 14, 2021**

Assistant Examiner — Noah Perez

(51) **LOC (14) Cl.** **13-02**

(74) *Attorney, Agent, or Firm* — Vector IP Law Group

(52) **U.S. Cl.**

PLLC; Robert S. Babayi

USPC **D13/108**

(58) **Field of Classification Search**

(57) **CLAIM**

USPC D13/101, 107, 108, 110, 118, 123, 133,
D13/162; D15/148, 199

The ornamental design for a mountable vehicle charger, as
shown and described.

CPC Y10S 903/903; Y10S 903/907; Y10S
903/96; H01R 13/6675

DESCRIPTION

See application file for complete search history.

FIG. 1 is a front side perspective view of a mountable
vehicle charger according to the present invention.

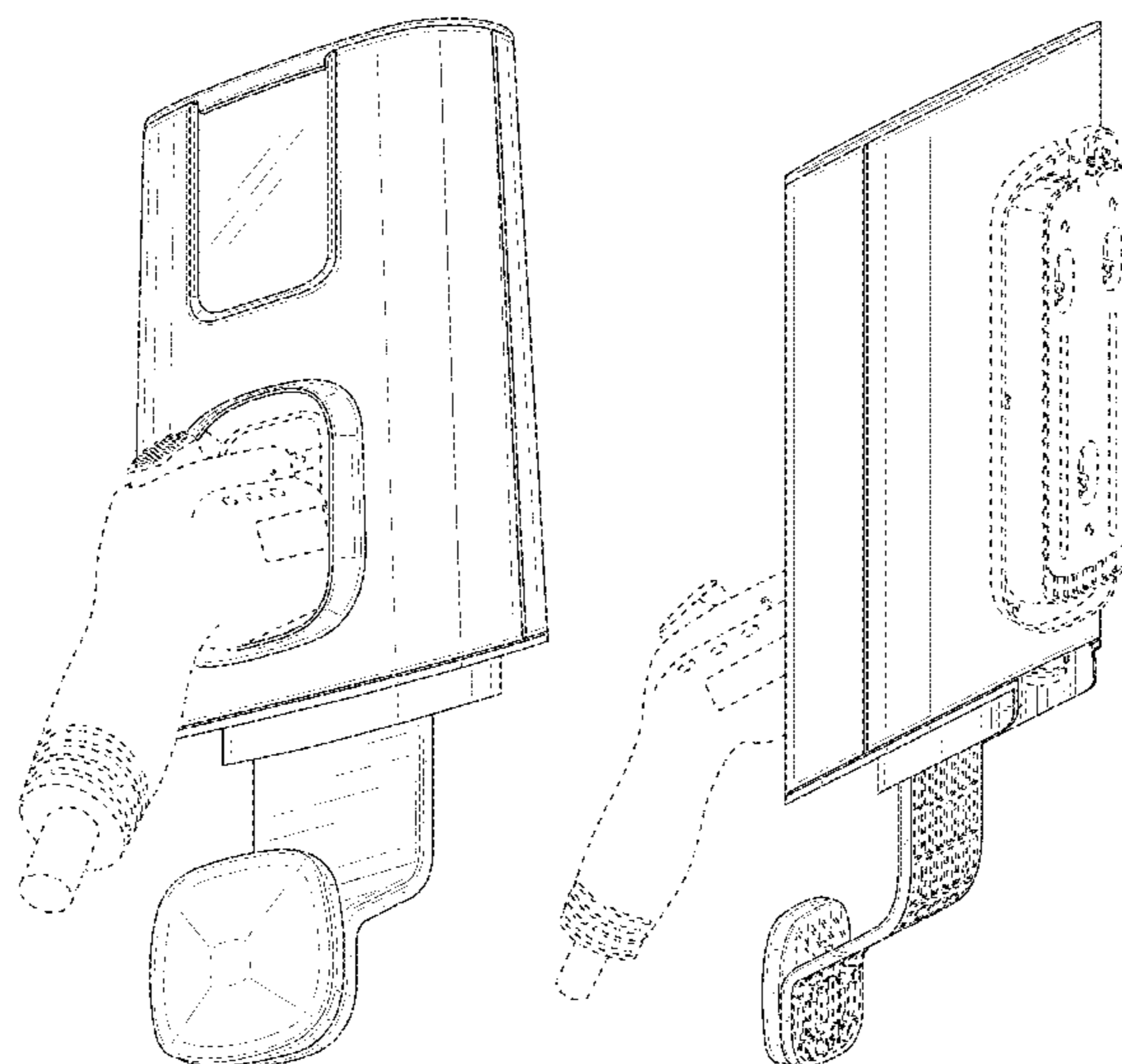
(56) **References Cited**

U.S. PATENT DOCUMENTS

D349,097 S *	7/1994	Watanabe	D13/108
D515,502 S *	2/2006	Wen	D13/107
D541,740 S *	5/2007	Tsai	D13/108
D547,265 S *	7/2007	Aglassinger	D13/108
D662,469 S *	6/2012	Mulder	D13/107
D673,498 S *	1/2013	Colle	D13/108
D730,281 S *	5/2015	Zhang	D13/107
D733,044 S *	6/2015	Moribe	D13/107
D737,203 S *	8/2015	Shin	D13/110
D748,052 S *	1/2016	Behar	D13/107
D758,306 S *	6/2016	Collé	D13/108
9,387,770 B2 *	7/2016	Moribe	H02J 7/0042

(Continued)

1 Claim, 8 Drawing Sheets



(56)

References Cited

U.S. PATENT DOCUMENTS

D873,768	S	*	1/2020	Minkyo	D13/107
D890,090	S	*	7/2020	Hernandez	D13/108
D895,540	S	*	9/2020	Hasenmayer	D13/107
D900,024	S	*	10/2020	Kuang	D13/107
D902,147	S	*	11/2020	Stray	D13/103
D910,552	S	*	2/2021	Hu	D13/107
D911,278	S	*	2/2021	Shang	D13/108
D911,937	S	*	3/2021	Mortun	D13/107
D913,220	S	*	3/2021	Tinius	D13/107
D913,919	S	*	3/2021	Wang	D13/108
D923,563	S	*	6/2021	Reitenbach	D13/107

FOREIGN PATENT DOCUMENTS

GB	6202524	*	4/2022
KR	3020210038322	*	11/2021
KR	301158017.0000	*	4/2022

OTHER PUBLICATIONS

Mr Cartool, announced on Jul. 14, 2021 [online], retrieved on Jun. 30, 2022, retrieved on internet, <https://www.amazon.com/MR-CARTOOL-Electric-Waterproof-Leakproof/dp/B099F67B8T> (Year: 2021).*

Lectron, announced on Jan. 8, 2018 [online], retrieved on Jun. 30, 2022, retrieved on internet, <https://www.amazon.com/dp/B07FC9M4YF?tag=gistg-20&linkCode=ogi&th=1&psc=1> (Year: 2018).*

SemaConnect, announced on Jun. 23, 2022 [online], retrieved on Jul. 13, 2022, retrieved on internet, <https://web.archive.org/web/20220623135608/https://semaconnect.com/products/series4/> (Year: 2022).*

SemaConnect, no announcement date [online], retrieved on Jul. 13, 2022, retrieved from internet, <https://www.bulbs.com/product/S4-50-25-HARDWIRED>.*

* cited by examiner

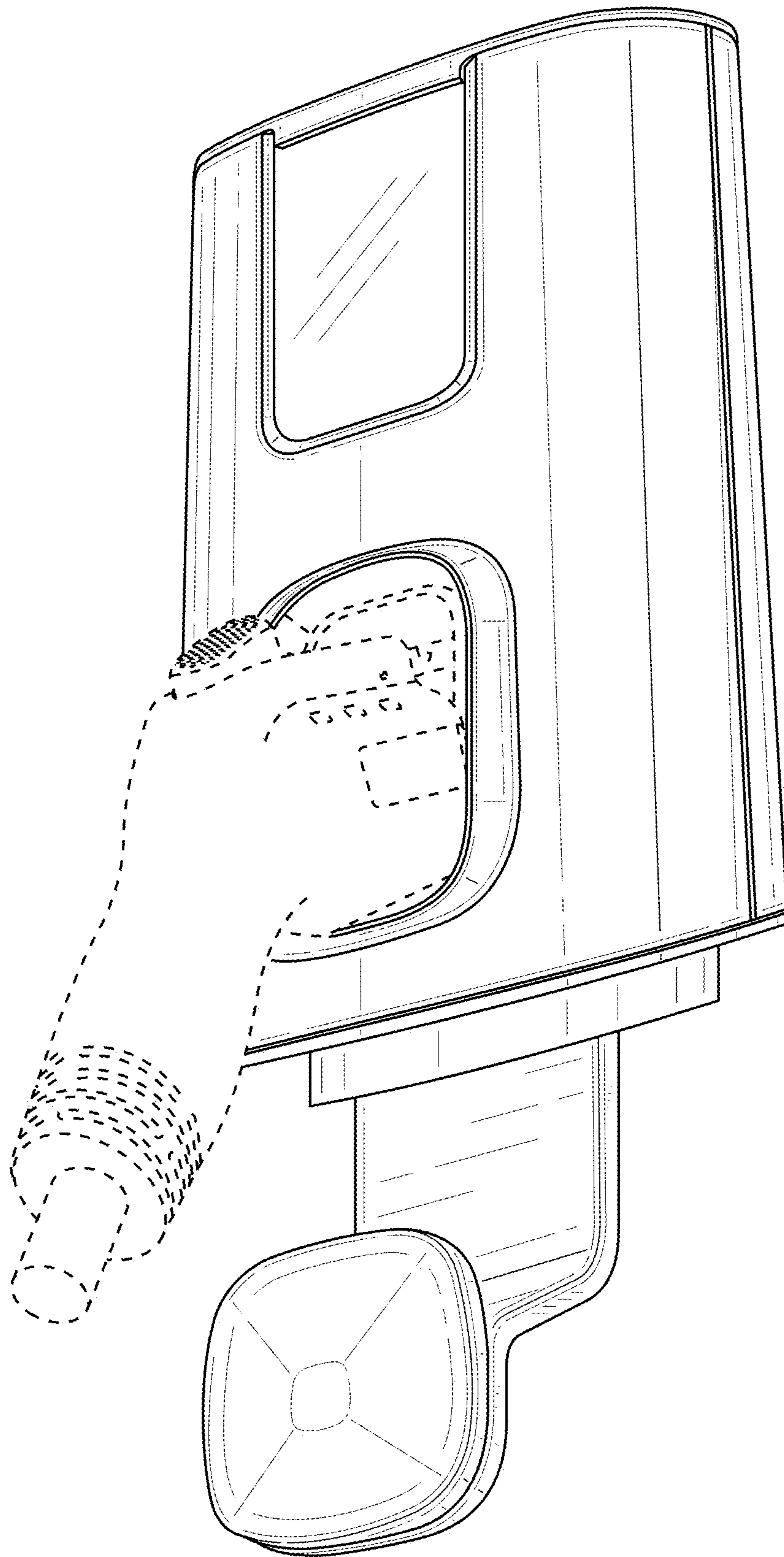


FIG. 1

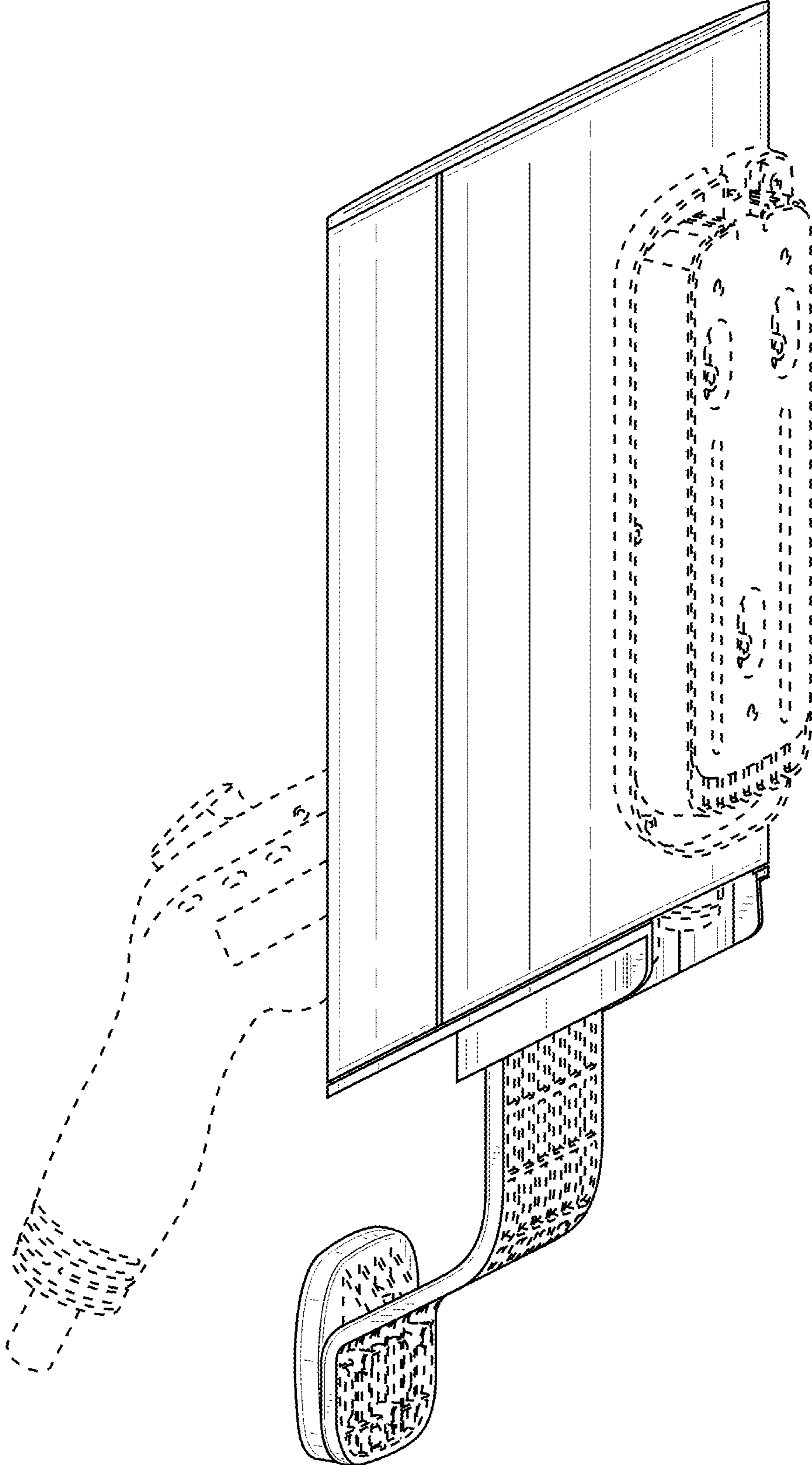


FIG. 2

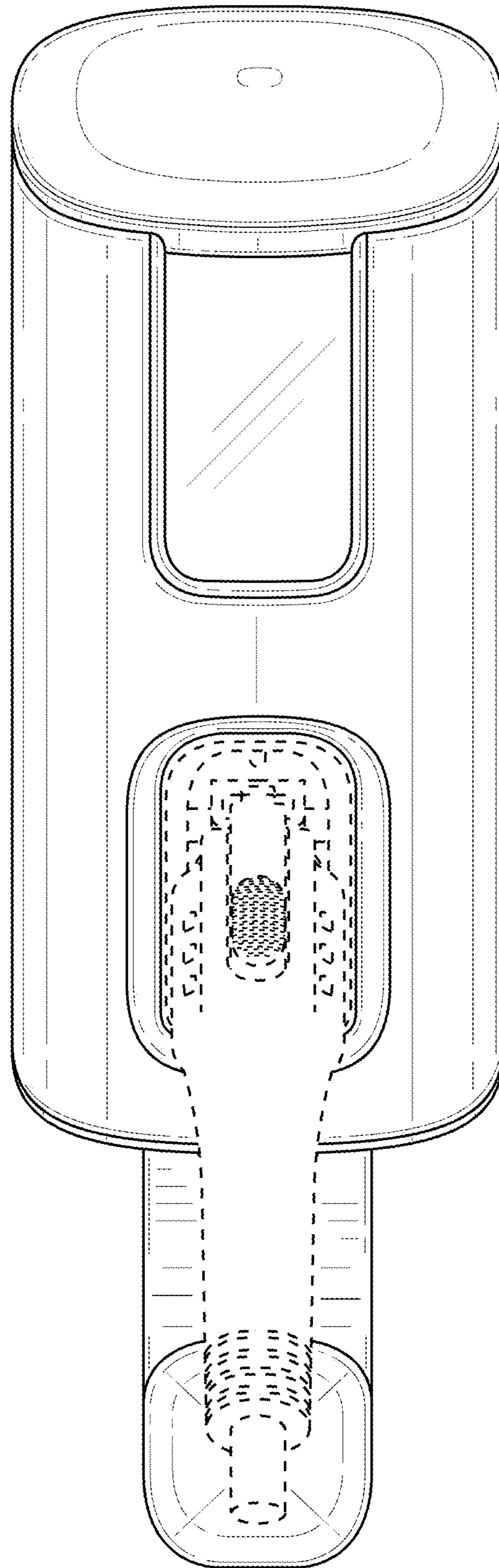


FIG. 3

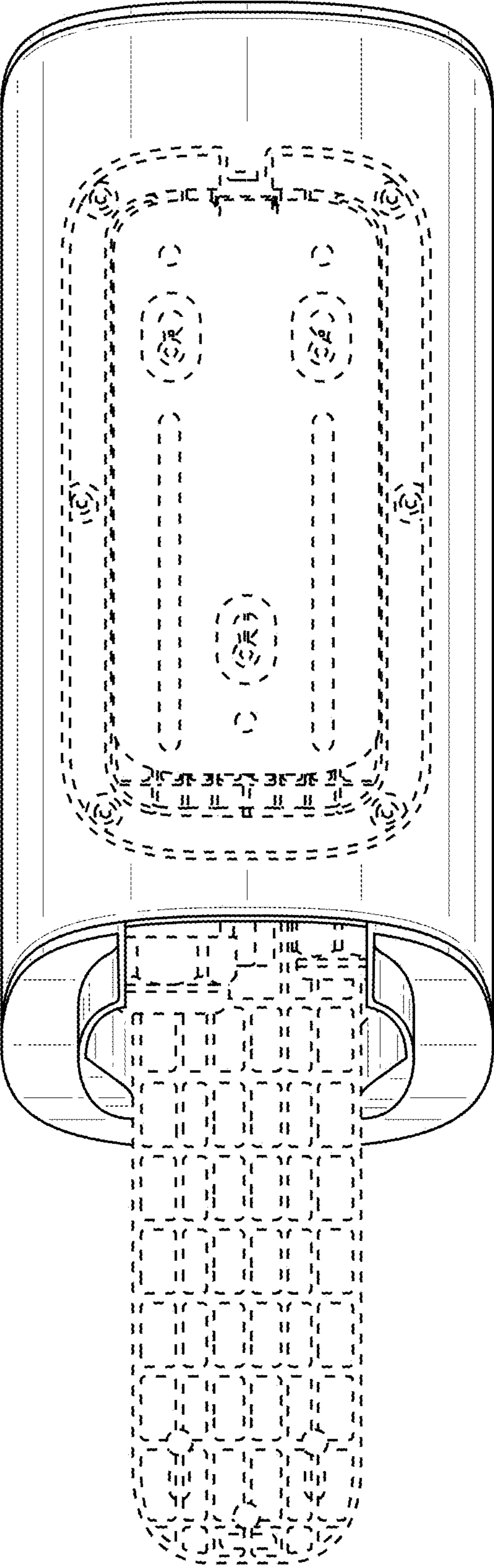


FIG. 4

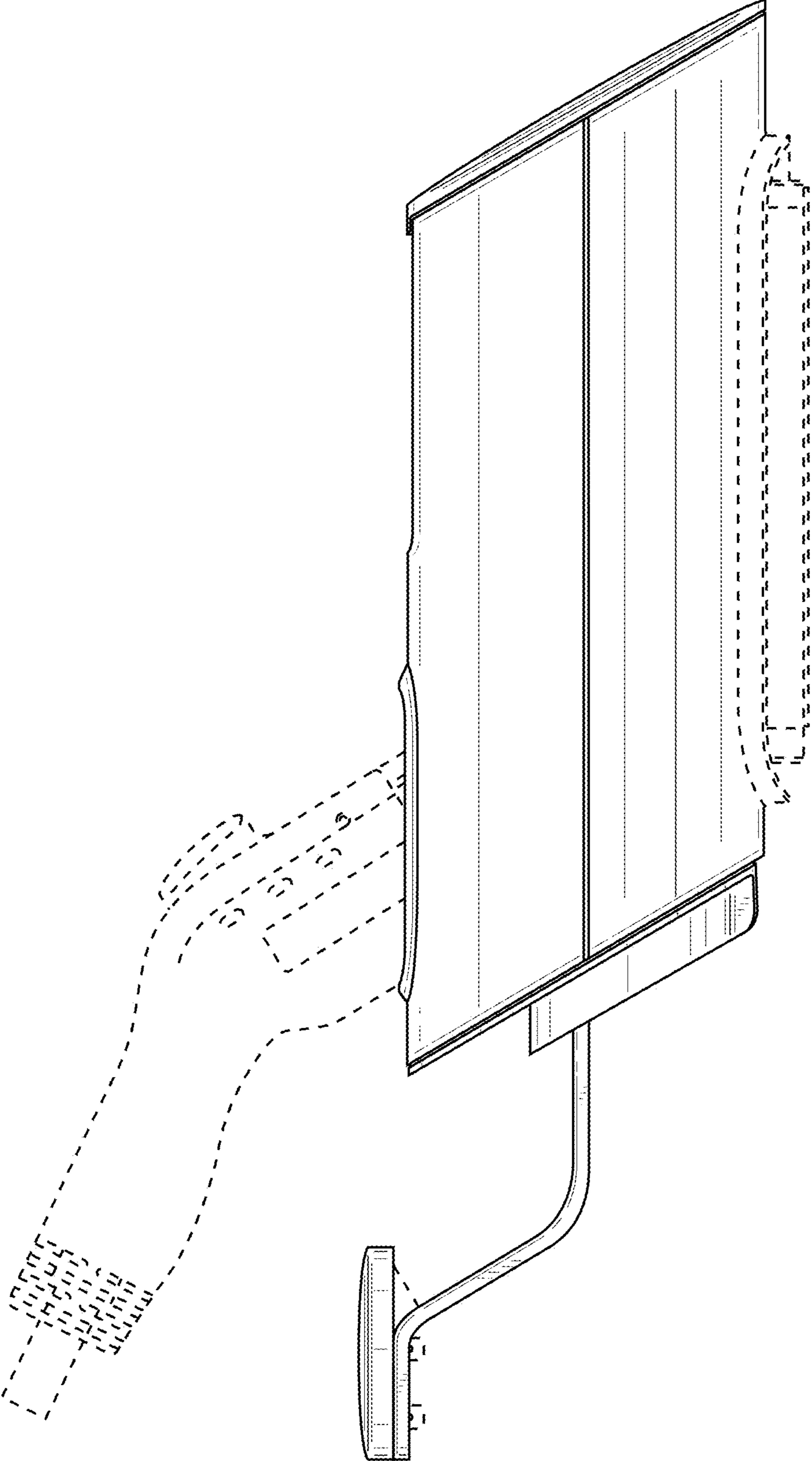


FIG. 5

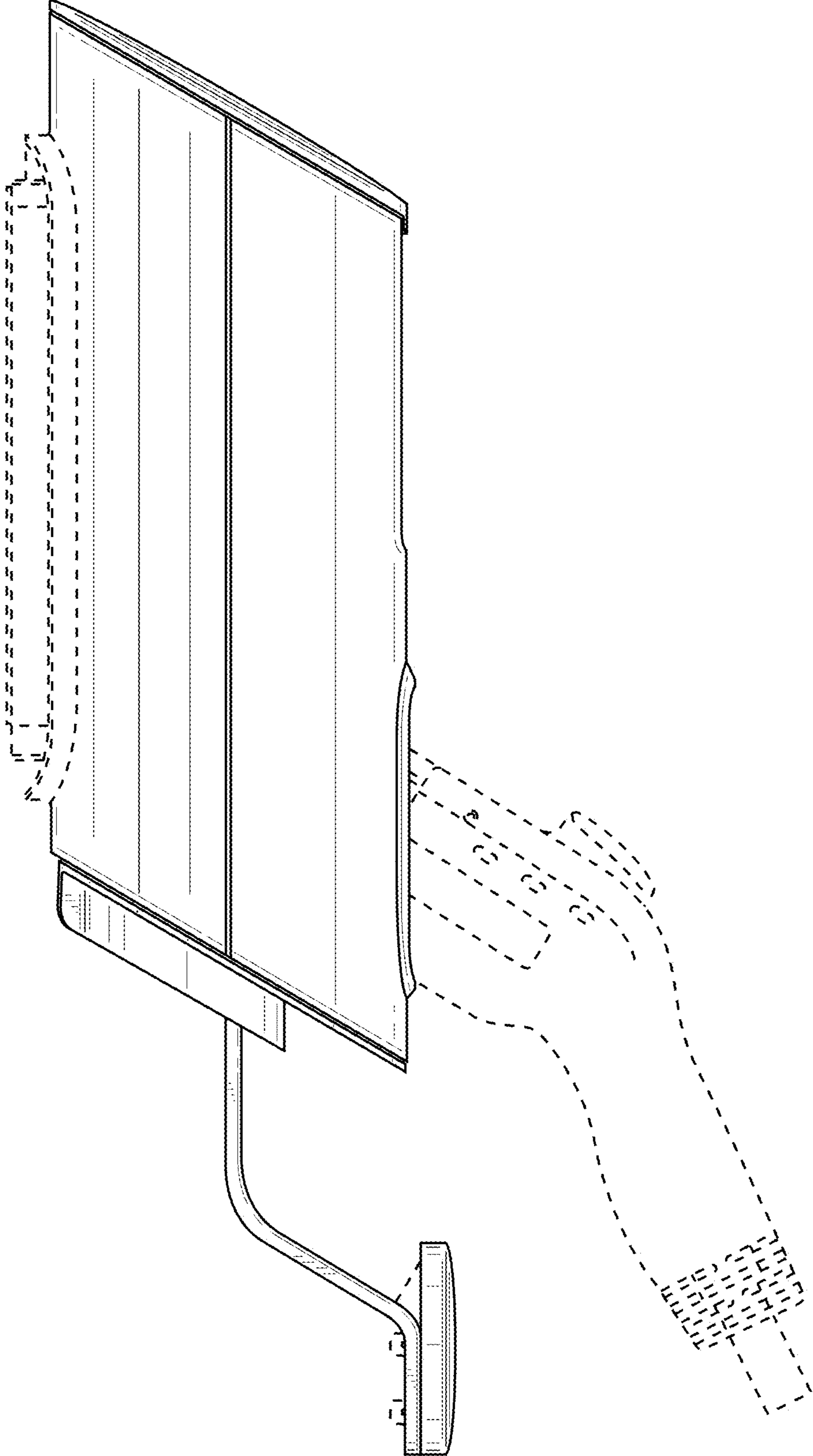


FIG. 6

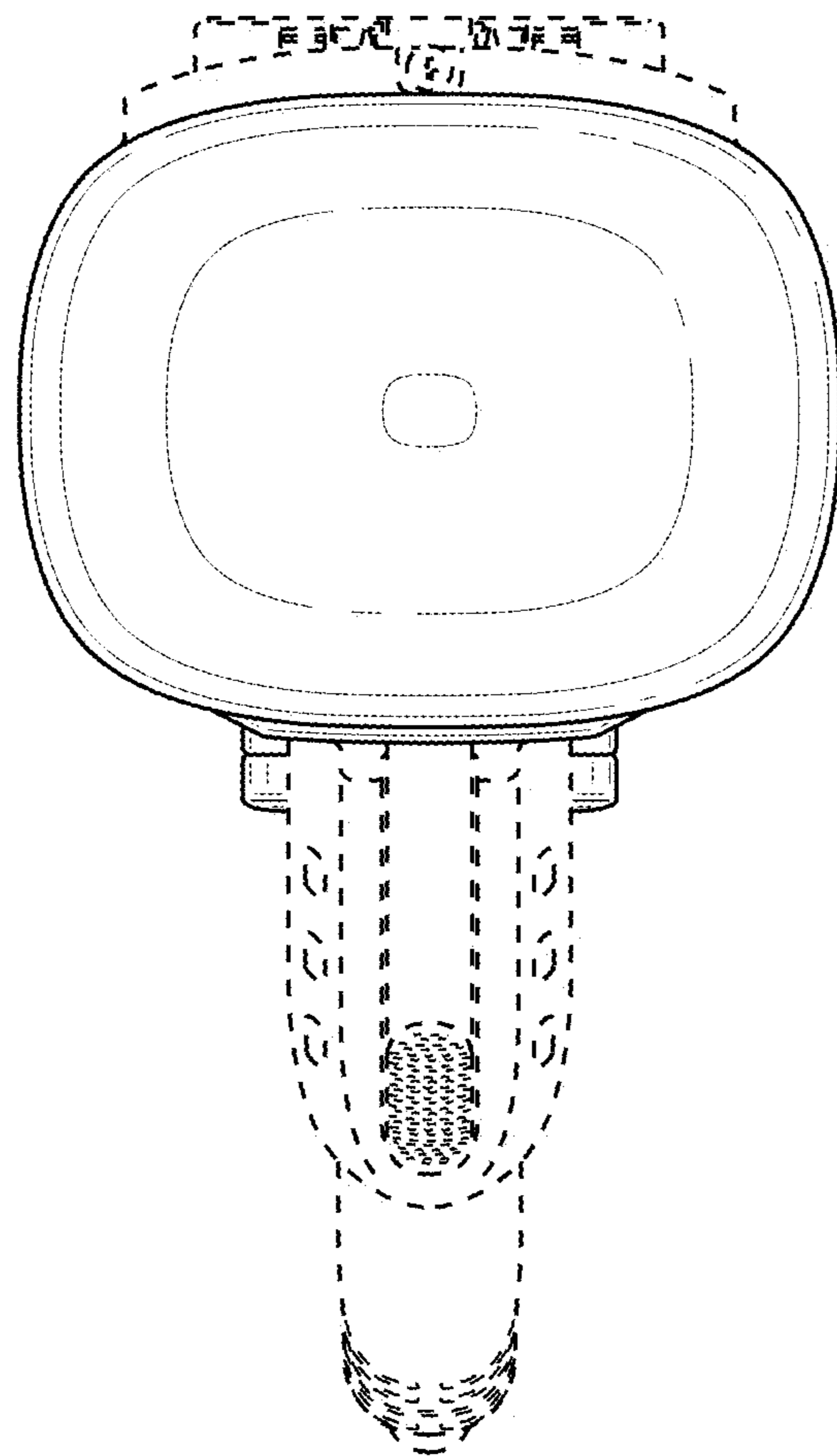


FIG. 7

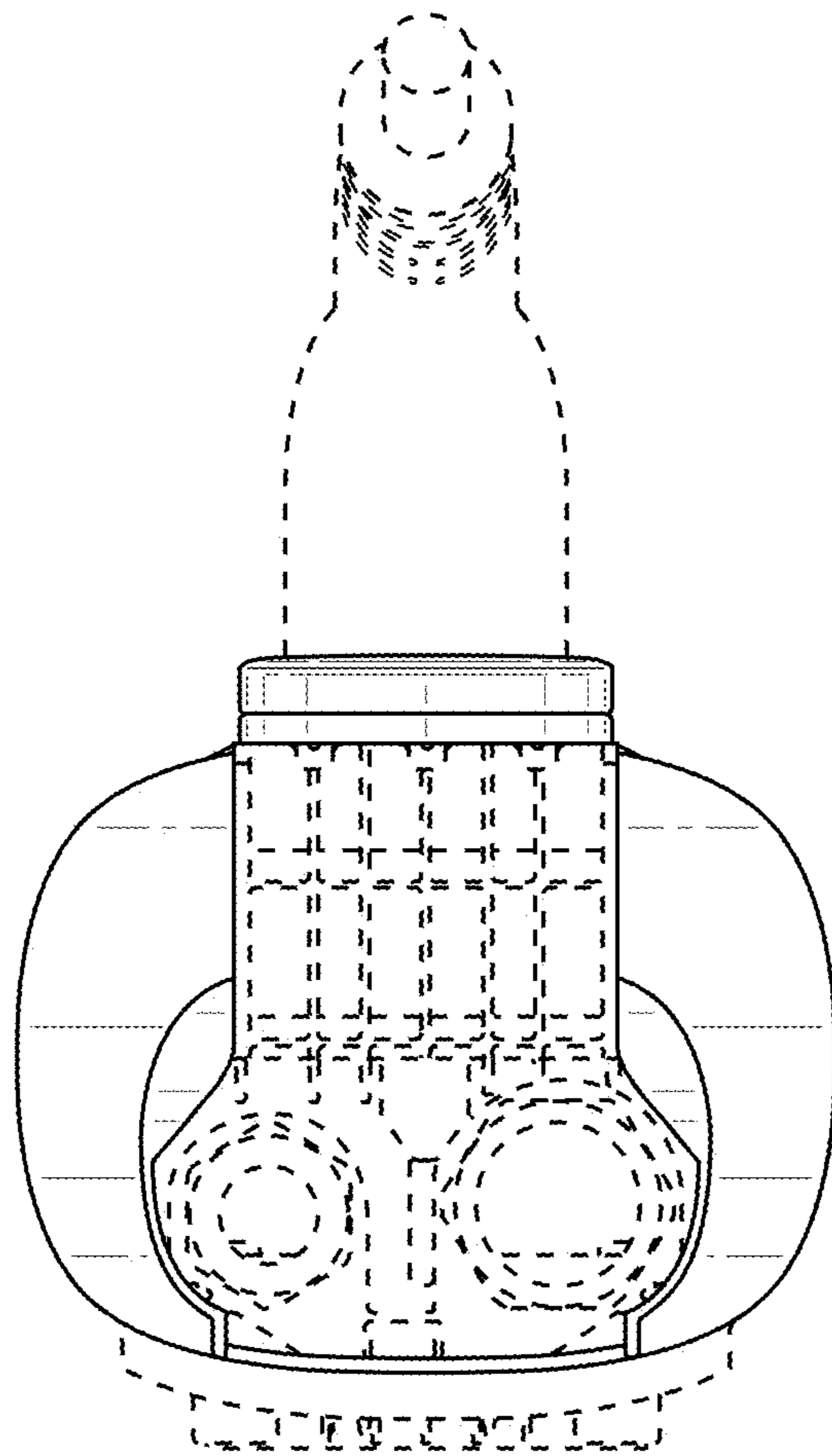


FIG. 8