



US00D974290S

(12) **United States Design Patent**
Painter et al.

(10) **Patent No.:** **US D974,290 S**
(45) **Date of Patent:** **** Jan. 3, 2023**

(54) **ELECTRONIC DEVICE CHARGER BASE**

(71) Applicant: **T-Mobile USA, Inc.**, Bellevue, WA (US)

(72) Inventors: **Christopher Painter**, Kirkland, WA (US); **Andre Sacaguti**, Sammamish, WA (US); **Aaron Takeshi Sisneros**, Oakland, CA (US); **Maikel Faltaous**, Renton, WA (US); **Jeffrey Scott Croyle**, San Francisco, CA (US)

(73) Assignee: **T-Mobile USA, Inc.**, Bellevue, WA (US)

(**) Term: **15 Years**

(21) Appl. No.: **29/761,519**

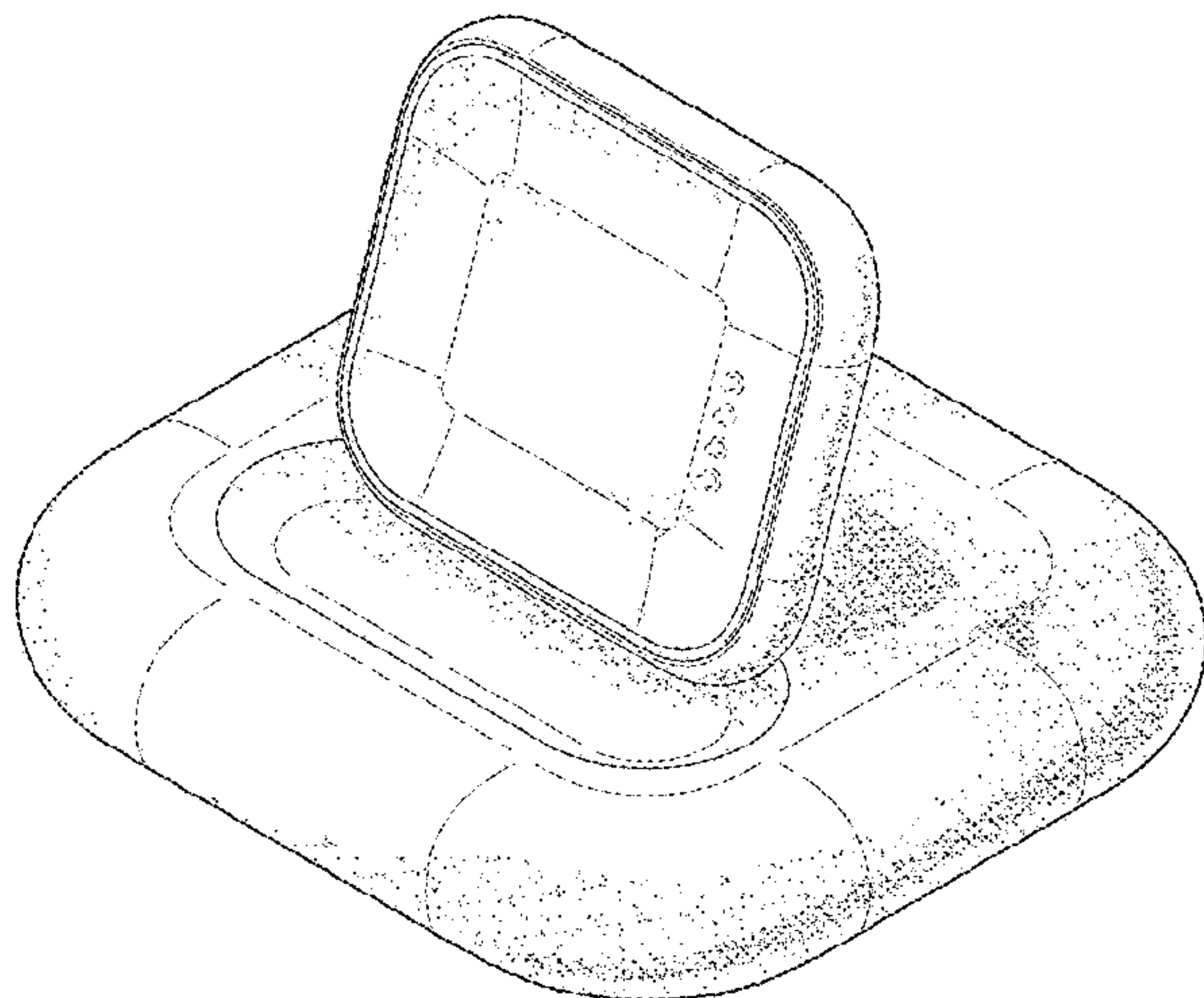
(22) Filed: **Dec. 9, 2020**

(51) **LOC (14) Cl.** **13-02**

(52) **U.S. Cl.**
USPC **D13/107**

(58) **Field of Classification Search**
USPC D13/102-110, 118, 119, 153, 154, 184, D13/199, 107, 108; D14/250
CPC Y02E 60/10; Y02E 60/12; Y02E 60/122; Y02E 60/124; Y02E 60/50; H01M 2/02; H01M 2/022; H01M 2/0202; H01M 2/0207; H01M 2/0212; H01M 2/1061; H01M 2/1022; H01M 2/1055; H01M 2/1066; H01M 2/105; H01M 2/20; H01M 2/202; H01M 2/204; H01M 2/206; H01M 10/44; H01M 10/46; H01M 10/465; H01M 10/482; H01M 10/4257; H01M 10/0436; H01M 10/48; H01M 2200/30; H01M 2250/30; H01M 2250/40; H02J 7/00; H02J 7/0003; H02J 7/0011; H02J 7/0013; H02J 7/0054; H02J 7/0055; H02J 7/0057; H02J 7/0034;

(Continued)



(56) **References Cited**

U.S. PATENT DOCUMENTS

D578,961 S 10/2008 Fisher et al.
D647,107 S 10/2011 Akana et al.

(Continued)

OTHER PUBLICATIONS

Amazon.com: Conido Charging Stand for Apple Watch. Date first available of Mar. 17, 2020. Retrieved from the internet at <https://www.amazon.com/Conido-Charging-Magnetic-Wireless-Compatible/dp/B085ZHH7LW/>, Mar. 22, 2022. 1 page. (Year: 2020).*

(Continued)

Primary Examiner — Christy Nemeth

(74) *Attorney, Agent, or Firm* — Han Santos, PLLC

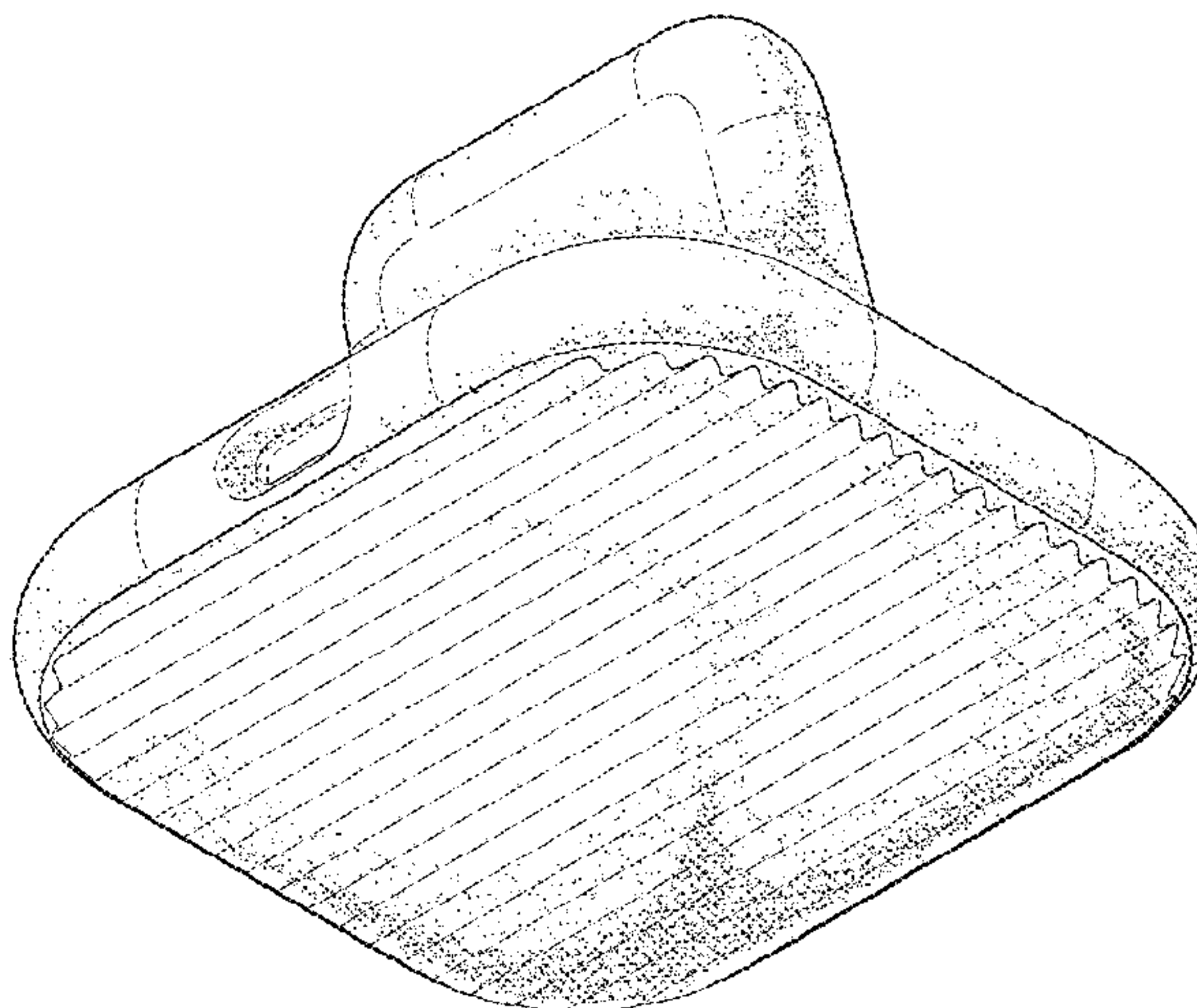
(57) **CLAIM**

The ornamental design for the electronic device charger base, as shown and described.

DESCRIPTION

FIG. 1 is a top, front, right side perspective view of an electronic device charger base of our new design; FIG. 2 is a bottom, back, left side another perspective view of the electronic device charger base of FIG. 1; FIG. 3 is a front elevation view of the electronic device charger base of FIG. 1; FIG. 4 is a back elevation view of the electronic device charger base of FIG. 1; FIG. 5 is a right elevation view of the electronic device charger base of FIG. 1; FIG. 6 is a left elevation view of the electronic device charger base of FIG. 1; FIG. 7 is a top plan view of the electronic device charger base of FIG. 1; and, FIG. 8 is a bottom plan view of the electronic device charger base of FIG. 1.

(Continued)



The broken lines shown in the drawings illustrate portions of the electronic device charger base that form no part of the claimed design.

1 Claim, 8 Drawing Sheets

(58) Field of Classification Search

CPC .. H02J 7/1423; Y02T 10/7005; Y02T 10/705;
Y02T 10/7088; B60L 11/182
See application file for complete search history.

(56) References Cited

U.S. PATENT DOCUMENTS

8,256,612 B1	9/2012	Wang	
D678,298 S	3/2013	Burridge	
D705,160 S	5/2014	Ormesher et al.	
D714,295 S	9/2014	Fujioka	
D716,312 S	10/2014	Fujioka	
D725,497 S	3/2015	Henne et al.	
D727,259 S	4/2015	Hwang	
D729,163 S	5/2015	Meyer	
D735,199 S	7/2015	Song	
D749,570 S	2/2016	Lee	
D762,203 S	7/2016	Chin et al.	
D763,107 S	8/2016	Nielsen et al.	
D766,905 S	9/2016	Lee	
D766,906 S	9/2016	Kim	
D769,879 S	10/2016	Kim	
D775,126 S	12/2016	Odasso	
D780,740 S	3/2017	Kim	
D784,346 S	4/2017	Tao	
D786,879 S	5/2017	Kim	
D792,886 S	7/2017	Schwibner et al.	
D797,099 S	9/2017	Wieser et al.	
D800,721 S	10/2017	Kim et al.	
D802,151 S	11/2017	Bagatar et al.	
D807,877 S	1/2018	Iwamatsu et al.	
D808,961 S	1/2018	Lee et al.	
D834,029 S	11/2018	Wengreen	
D838,716 S	1/2019	Teng et al.	
D839,753 S	2/2019	Domke et al.	
D841,005 S	2/2019	Lin	
D841,636 S	2/2019	Turk	
D843,864 S	3/2019	Vandenbussche et al.	
D850,968 S	6/2019	Zhang	
D851,913 S	6/2019	Yu	
D853,878 S	7/2019	Wright et al.	
D854,433 S *	7/2019	Vandenbussche	D10/70
D855,813 S	8/2019	Hu	
D856,341 S	8/2019	Tur	
D861,766 S	10/2019	Lim et al.	
D862,462 S	10/2019	Zhang	
D864,767 S	10/2019	Vandenbussche et al.	
D869,461 S	12/2019	Ke	
D869,462 S	12/2019	Ke	
D872,690 S *	1/2020	Williams	D13/108
D877,145 S	3/2020	Shin	
D877,153 S	3/2020	Peng	
D884,061 S	5/2020	Arens et al.	
D884,615 S	5/2020	Ito et al.	
D885,229 S	5/2020	Kim	
D885,230 S	5/2020	Kim	
D891,366 S	7/2020	Xie et al.	
D891,425 S	7/2020	Lin	

D893,323 S	8/2020	Xiao	
D893,420 S	8/2020	Xiao	
D893,422 S	8/2020	Xiao	
D897,350 S	9/2020	Wang	
D898,745 S	10/2020	Ye	
D902,933 S	11/2020	Zhang	
D903,508 S	12/2020	Zhang	
D904,498 S	12/2020	Lim et al.	
D909,903 S	2/2021	Lin	
D911,946 S	3/2021	Turksu et al.	
D912,562 S	3/2021	Zhou	
D913,138 S	3/2021	Maile et al.	
D913,291 S	3/2021	Zhang	
D918,137 S *	5/2021	Painter	D13/108
D918,696 S *	5/2021	Painter	D10/104.1
D920,143 S	5/2021	Painter et al.	
D920,147 S	5/2021	Liu	
D920,662 S	6/2021	Youn	
D922,947 S *	6/2021	Wang	D13/108
D923,003 S	6/2021	Lin	
D924,715 S	7/2021	Wright et al.	
D924,716 S	7/2021	Wright et al.	
D925,385 S	7/2021	Lin	
D925,543 S	7/2021	Ma	
D931,209 S *	9/2021	Hahn	D13/108
D931,286 S	9/2021	Tur	
D931,287 S	9/2021	Tur	
D932,321 S	10/2021	Jung	
D934,869 S	11/2021	Wright et al.	
D935,397 S *	11/2021	Brisebras	D13/108
D935,398 S *	11/2021	Wang	D13/108
D941,763 S *	1/2022	Pena	D14/434
D942,458 S	2/2022	Tur	
D945,965 S	3/2022	Wang et al.	
D947,122 S	3/2022	Dastmalchi et al.	
D947,179 S	3/2022	Yin	
D949,038 S	4/2022	Hu	
2010/0243516 A1	9/2010	Martin et al.	
2011/0297578 A1	12/2011	Stiehl et al.	
2012/0043236 A1	2/2012	Szucs et al.	
2012/0257340 A1	10/2012	Kim	
2013/0148955 A1	6/2013	Overall	
2013/0222139 A1	8/2013	Gouge et al.	
2013/0279142 A1	10/2013	Wang	
2014/0216953 A1	8/2014	Su et al.	
2017/0248922 A1	8/2017	Hynecek	
2019/0369563 A1	12/2019	Chen et al.	
2020/0363773 A1	11/2020	Wang et al.	

OTHER PUBLICATIONS

Hands On with the T-Mobile SyncUp Kids Watch phonescoop.com; Nov. 2021 [online]. © 2001-2021 Phone Factor, LLC. [retrieved Dec. 15, 2021] from Internet: (Year: 2021).
U.S. Appl. No. 29/761,517, Office Action dated Dec. 20, 2021, 18 pages.
U.S. Appl. No. 29/761,523, Notice of Allowance dated Dec. 8, 2021, 36 pages.
U.S. Appl. No. 29/761,517, Notice of Allowance dated May 4, 2022, 21 pages.
U.S. Appl. No. 29/761,522, Office Action dated Apr. 25, 2022, 23 pages.
U.S. Appl. No. 29/761,523, Notice of Allowance dated May 3, 2022, 23 pages.
U.S. Appl. No. 29/761,523, Notice of Allowance dated Mar. 24, 2022, 27 pages.

* cited by examiner

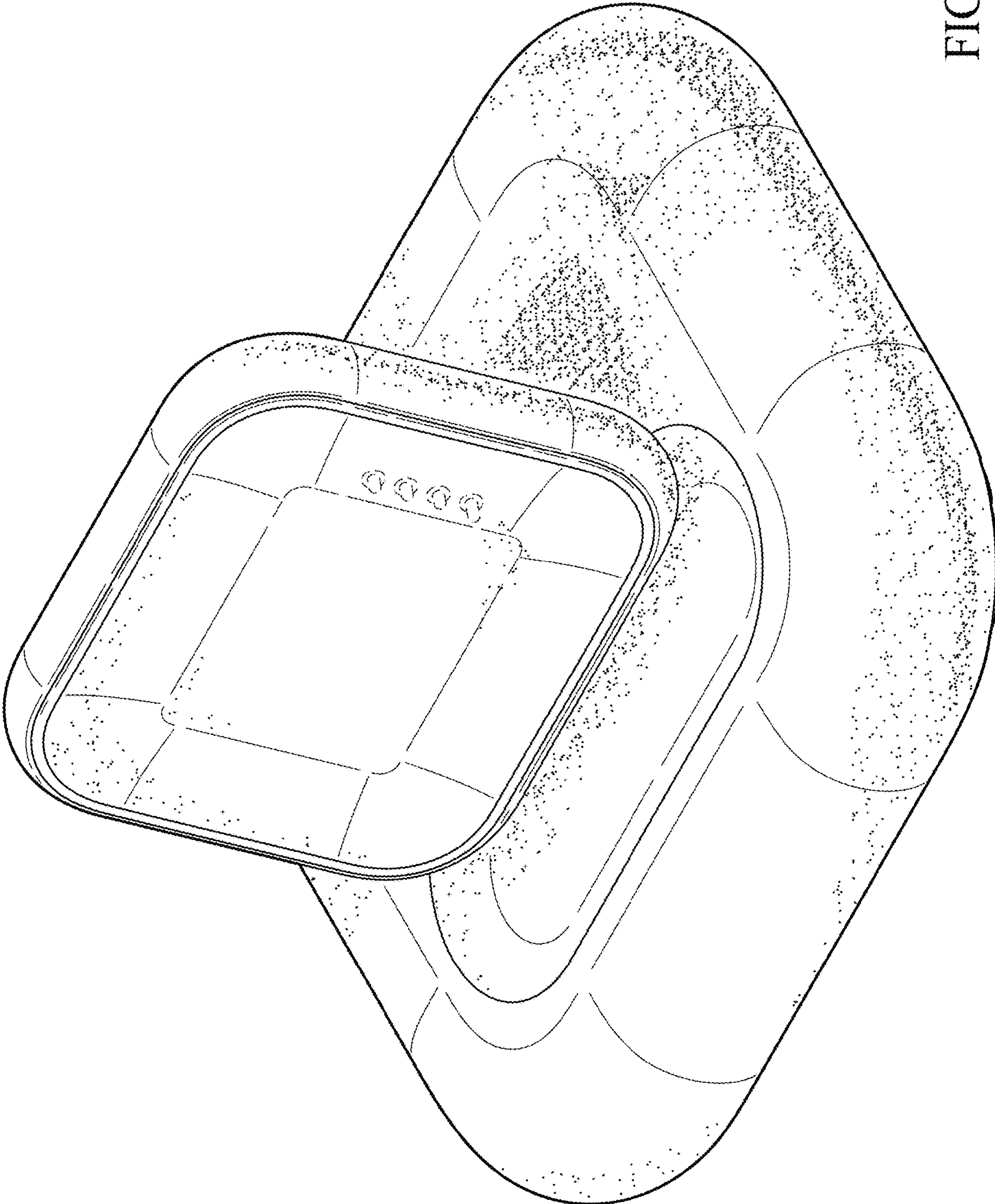


FIG. 1

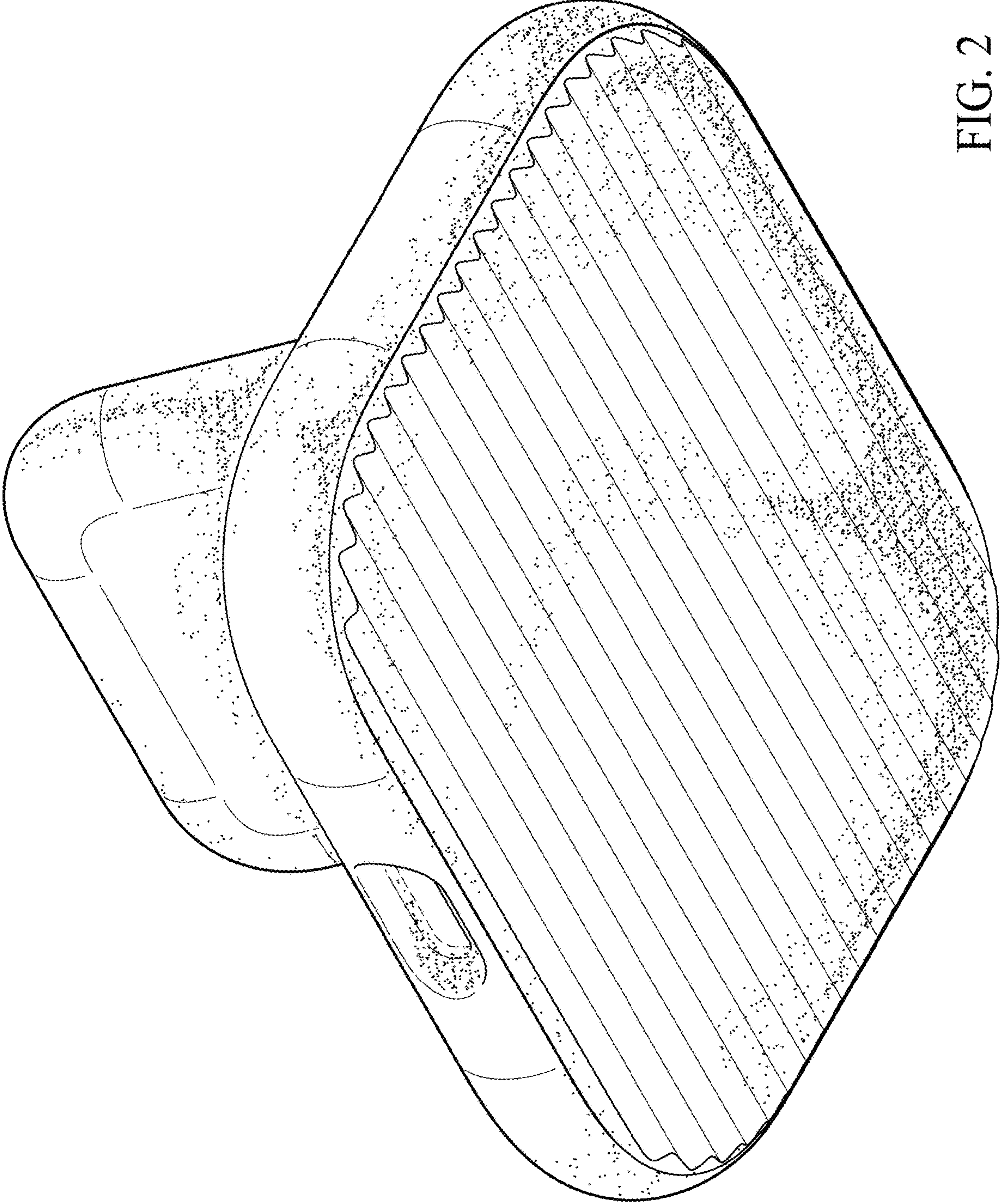


FIG. 2

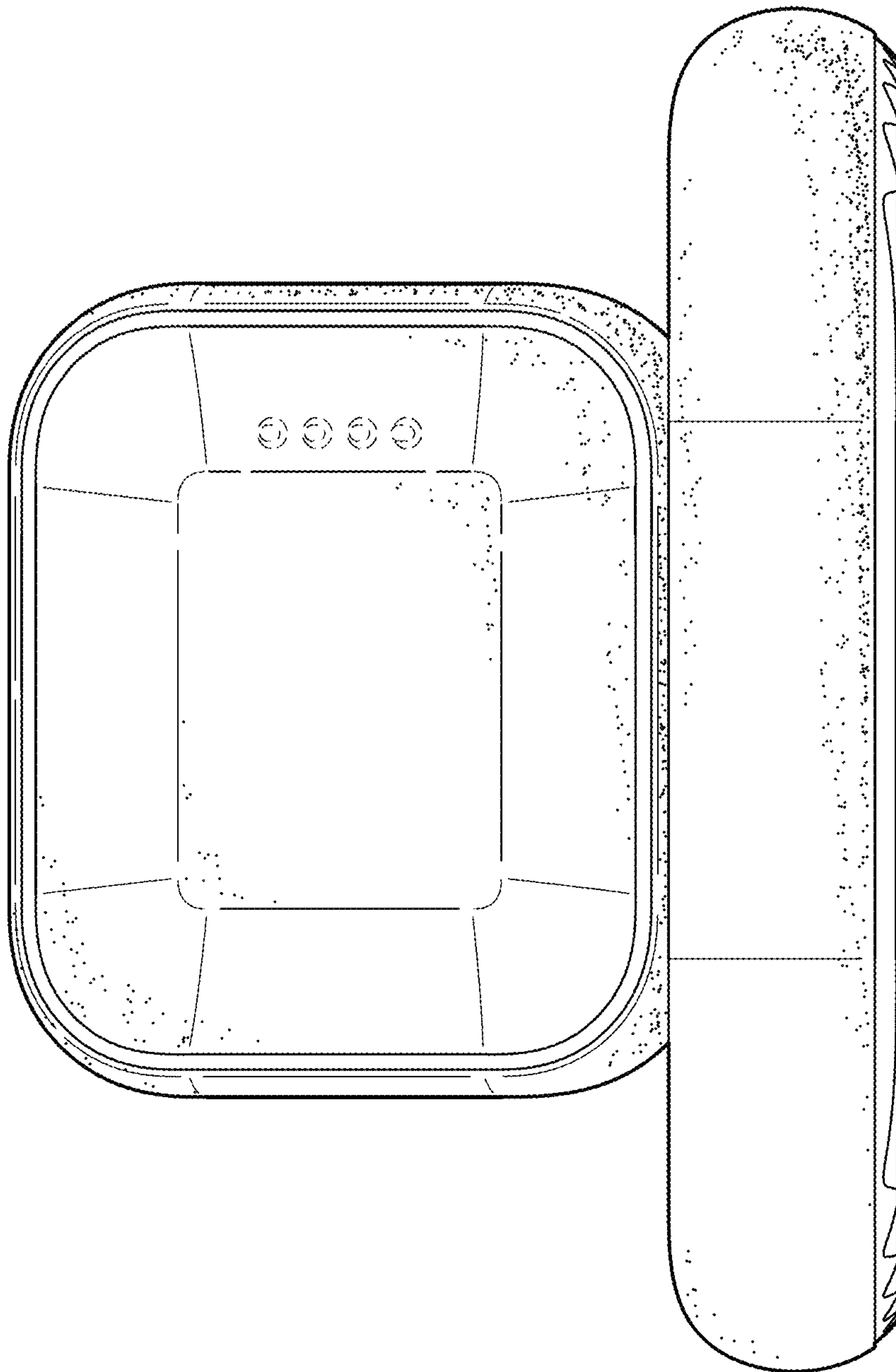


FIG. 3

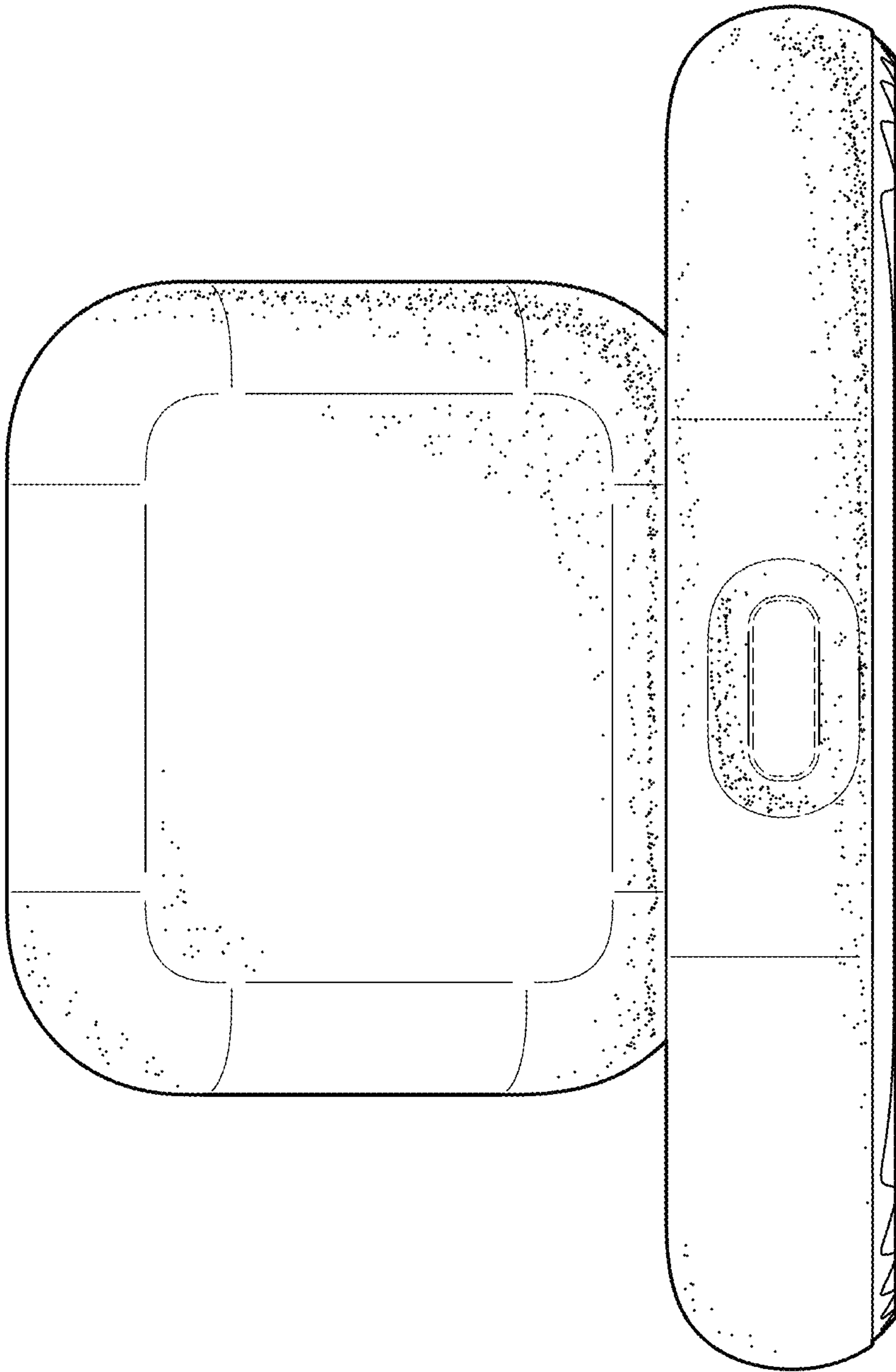


FIG. 4

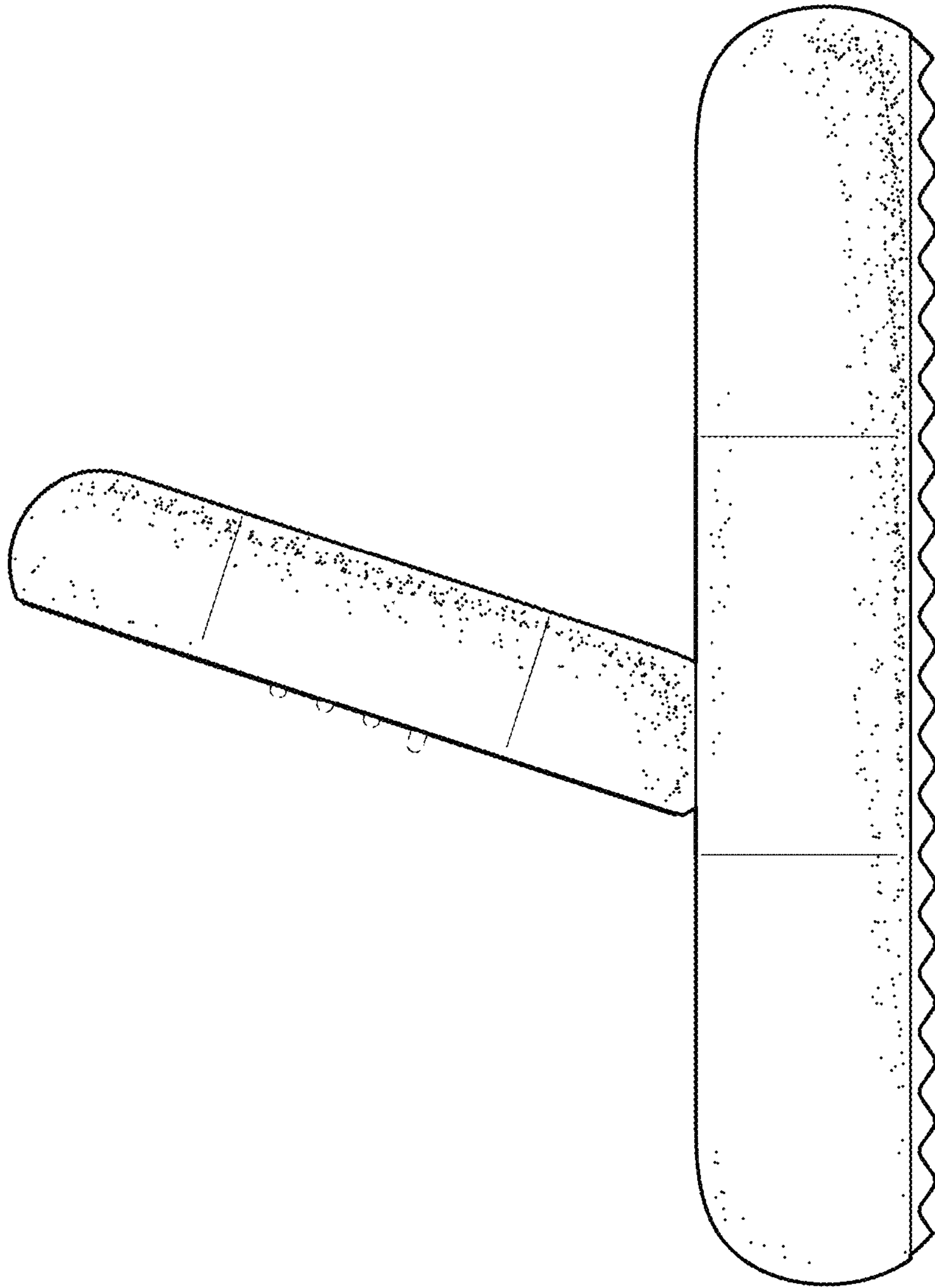


FIG. 5

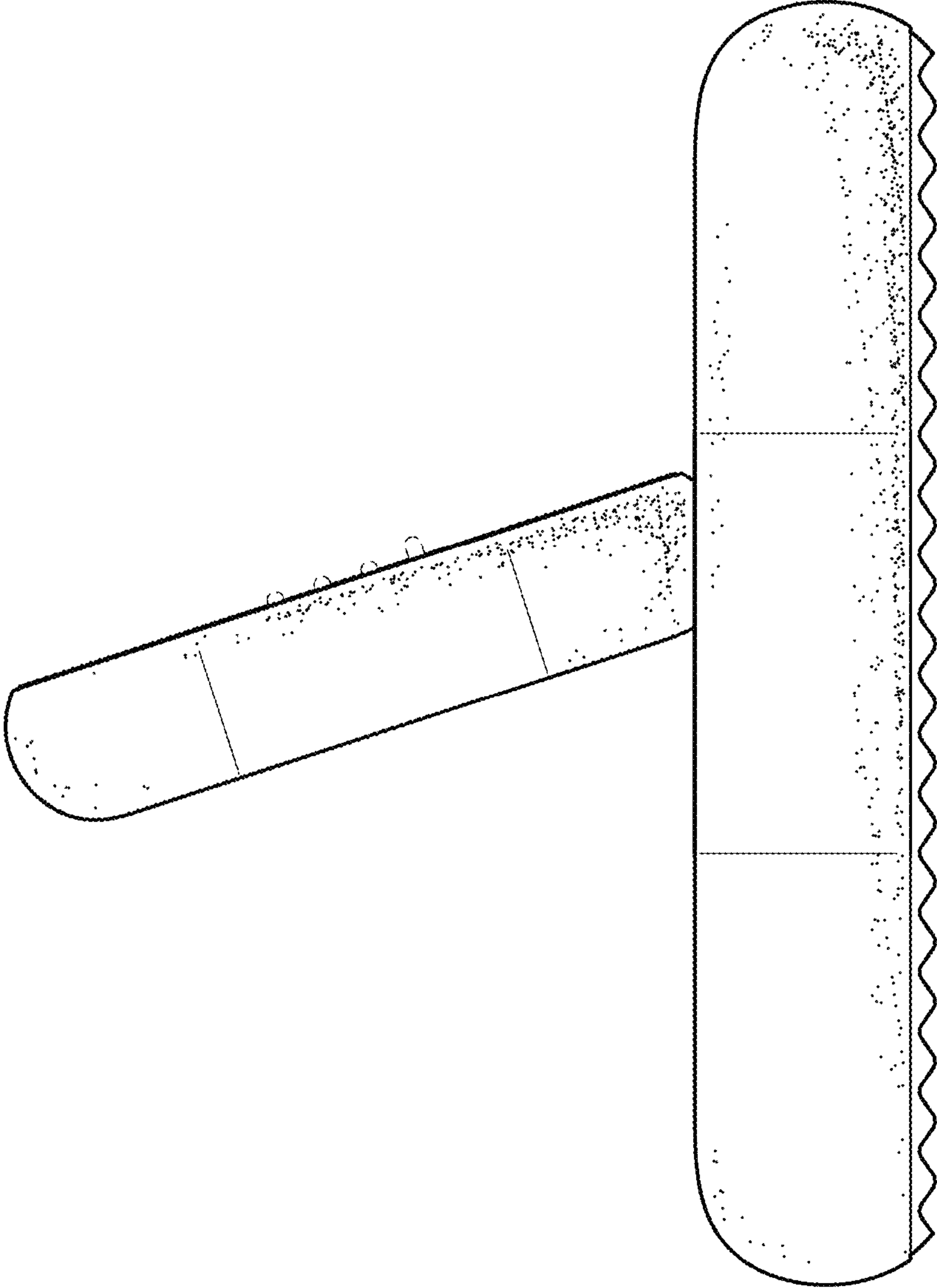


FIG. 6

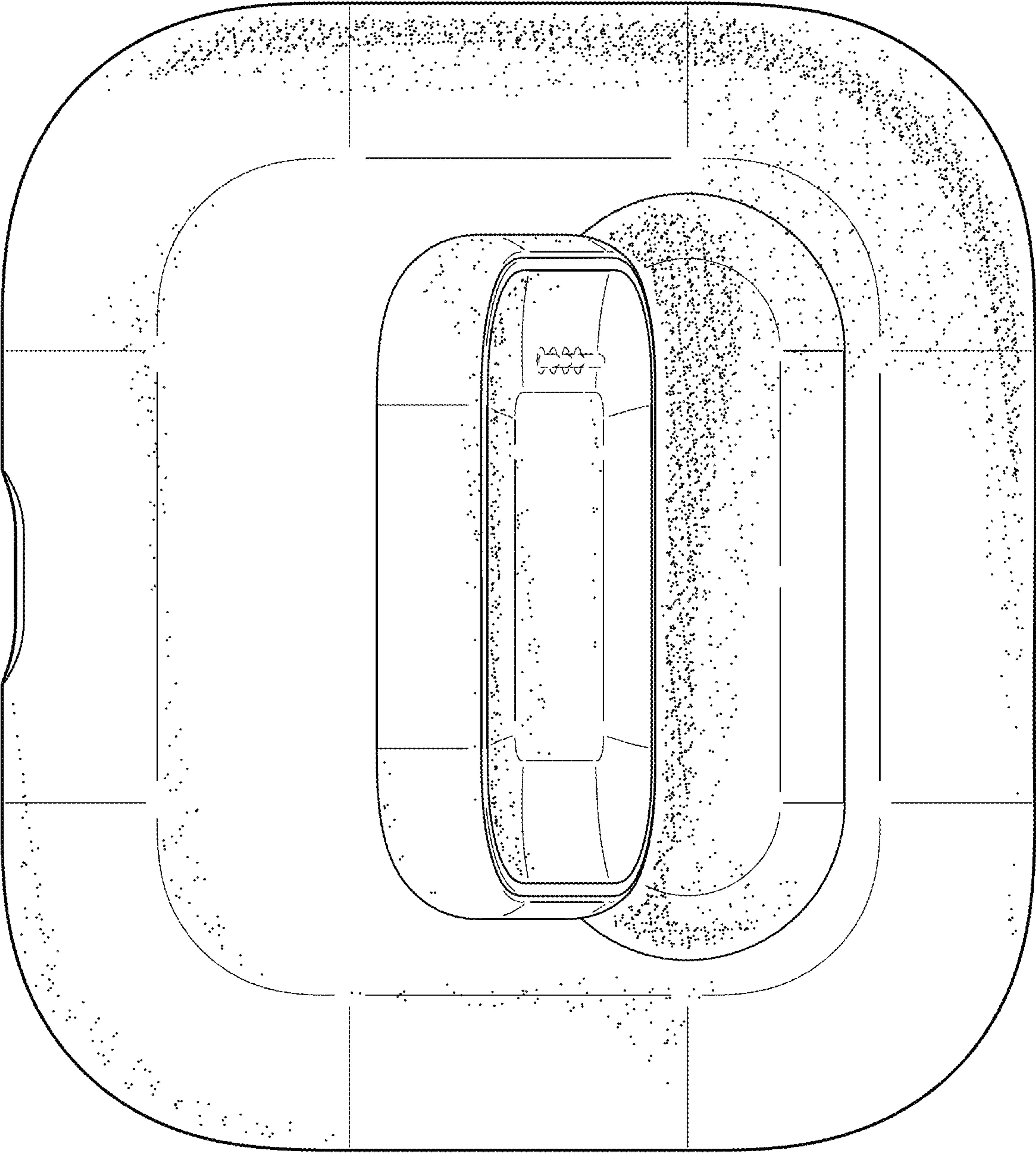


FIG. 7

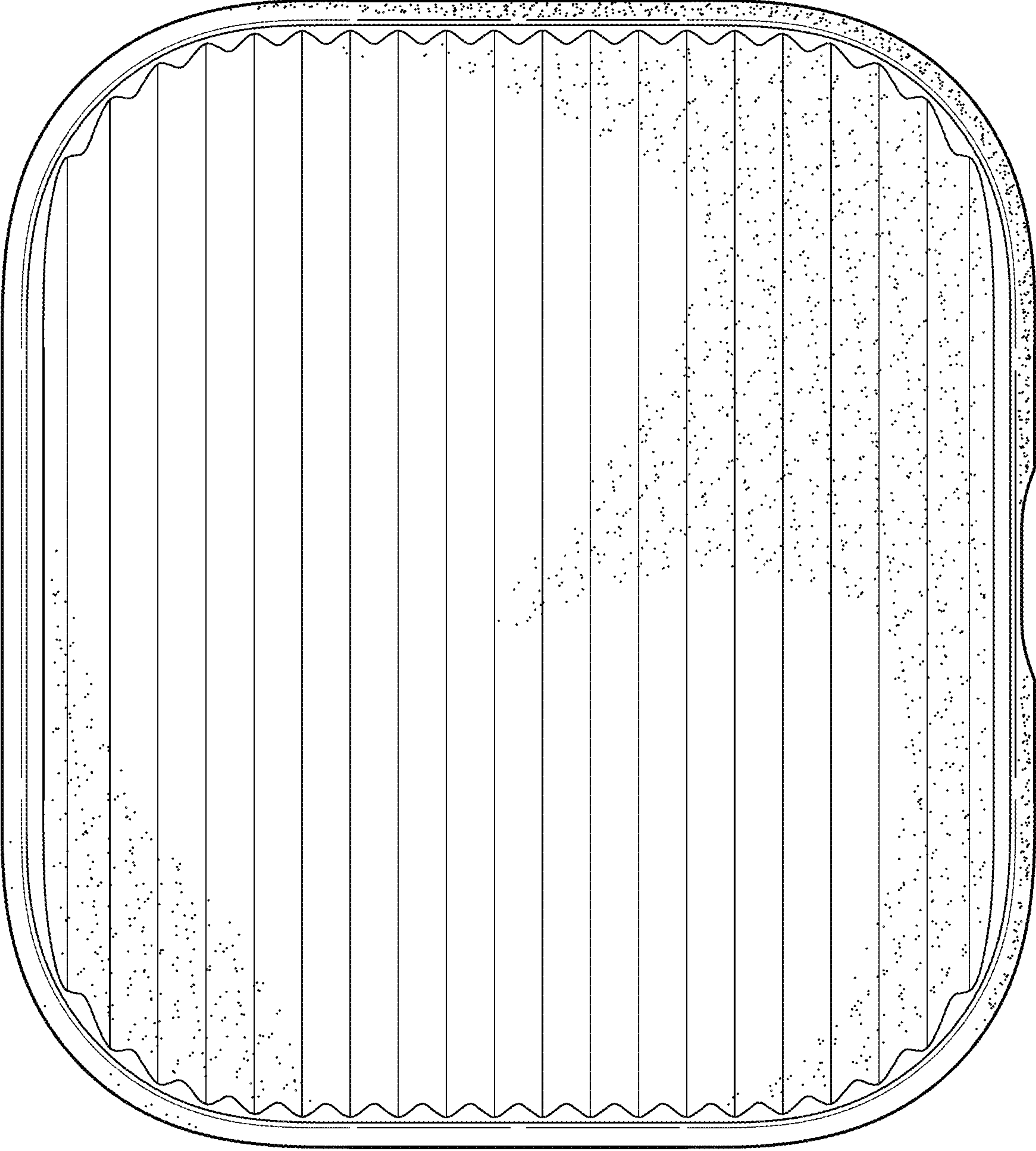


FIG. 8