



US00D974289S

(12) **United States Design Patent** (10) **Patent No.:** **US D974,289 S**
Kim et al. (45) **Date of Patent:** **** Jan. 3, 2023**

(54) **BATTERY**

(71) Applicant: **Samsung Electronics Co., Ltd.**,
Suwon-si (KR)
(72) Inventors: **Jaehyung Kim**, Suwon-si (KR);
Kwanhee Lee, Suwon-si (KR); **Jihye Lee**, Suwon-si (KR)
(73) Assignee: **Samsung Electronics Co., Ltd.**,
Suwon-si (KR)
(**) Term: **15 Years**

(21) Appl. No.: **29/784,320**

(22) Filed: **May 19, 2021**

(30) **Foreign Application Priority Data**

Dec. 1, 2020 (KR) 30-2020-0058765

(51) **LOC (14) Cl.** **13-02**

(52) **U.S. Cl.**
USPC **D13/103**; D13/108

(58) **Field of Classification Search**
USPC D13/102–110, 118–119, 184, 199;
D14/356, 432
CPC Y02E 60/10; Y02E 60/50; H01M 10/44;
H01M 10/46; H01M 10/465; H01M
10/482; H01M 10/4257; H01M 10/12;
H01M 10/623; H01M 10/6235; H01M
2200/30; H01M 2250/30; H01M 2250/40;
H01M 2250/20; H01M 2220/30; H01M
50/10; H01M 50/136; H01M 50/56;
H01M 50/1385; H01M 4/0433; H01M
6/505; H02J 7/00; H02J 7/0003; H02J
7/0013; H04B 1/3888; A45C 2011/002;
H04M 1/0283

See application file for complete search history.

(56) **References Cited**

U.S. PATENT DOCUMENTS

D400,851 S *	11/1998	Culver	D13/107
D405,754 S *	2/1999	Barkley	D13/103
D407,708 S *	4/1999	Nagele	D14/240
D426,190 S *	6/2000	Higgins	D13/103
D530,663 S *	10/2006	Curello	D13/103
D575,729 S *	8/2008	Nomi	D13/107
D751,499 S *	3/2016	Phillips	D13/103
D760,643 S *	7/2016	Phillips	D13/103
D760,644 S *	7/2016	Phillips	D13/103
D791,070 S *	7/2017	Son	D13/103
D810,677 S *	2/2018	Chen	D13/103
D897,289 S *	9/2020	Busl	D13/110
D900,077 S *	10/2020	Kwak	D14/240

* cited by examiner

Primary Examiner — Nathaniel D. Buckner

(74) *Attorney, Agent, or Firm* — NSIP Law

(57) **CLAIM**

We claim the ornamental design for a battery, as shown and described.

DESCRIPTION

FIG. 1 is a front perspective view of a battery showing our new design;
FIG. 2 is a front view thereof;
FIG. 3 is a rear view thereof;
FIG. 4 is a left-side view thereof;
FIG. 5 is a right-side view thereof;
FIG. 6 is a top view thereof;
FIG. 7 is a bottom view thereof;
FIG. 8 is a rear perspective view thereof; and,
FIG. 9 is another front perspective view thereof shown in a state of use.
The broken lines in the figures depict portions of the battery which form no part of the claimed design.
The broken line showing of the electronic device in FIG. 9 depicts environmental subject matter and form no part of the claimed design.

1 Claim, 5 Drawing Sheets

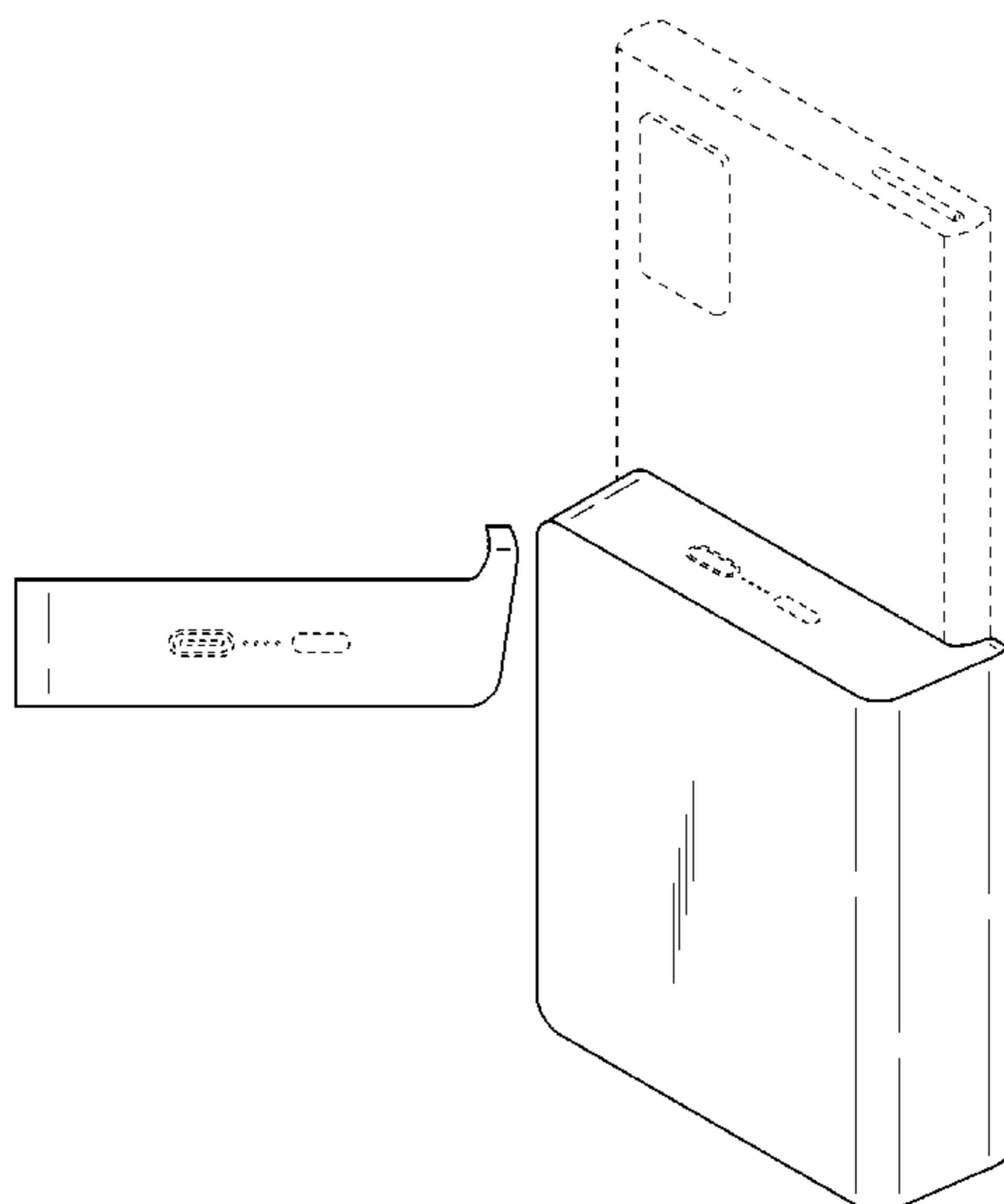


FIG.1

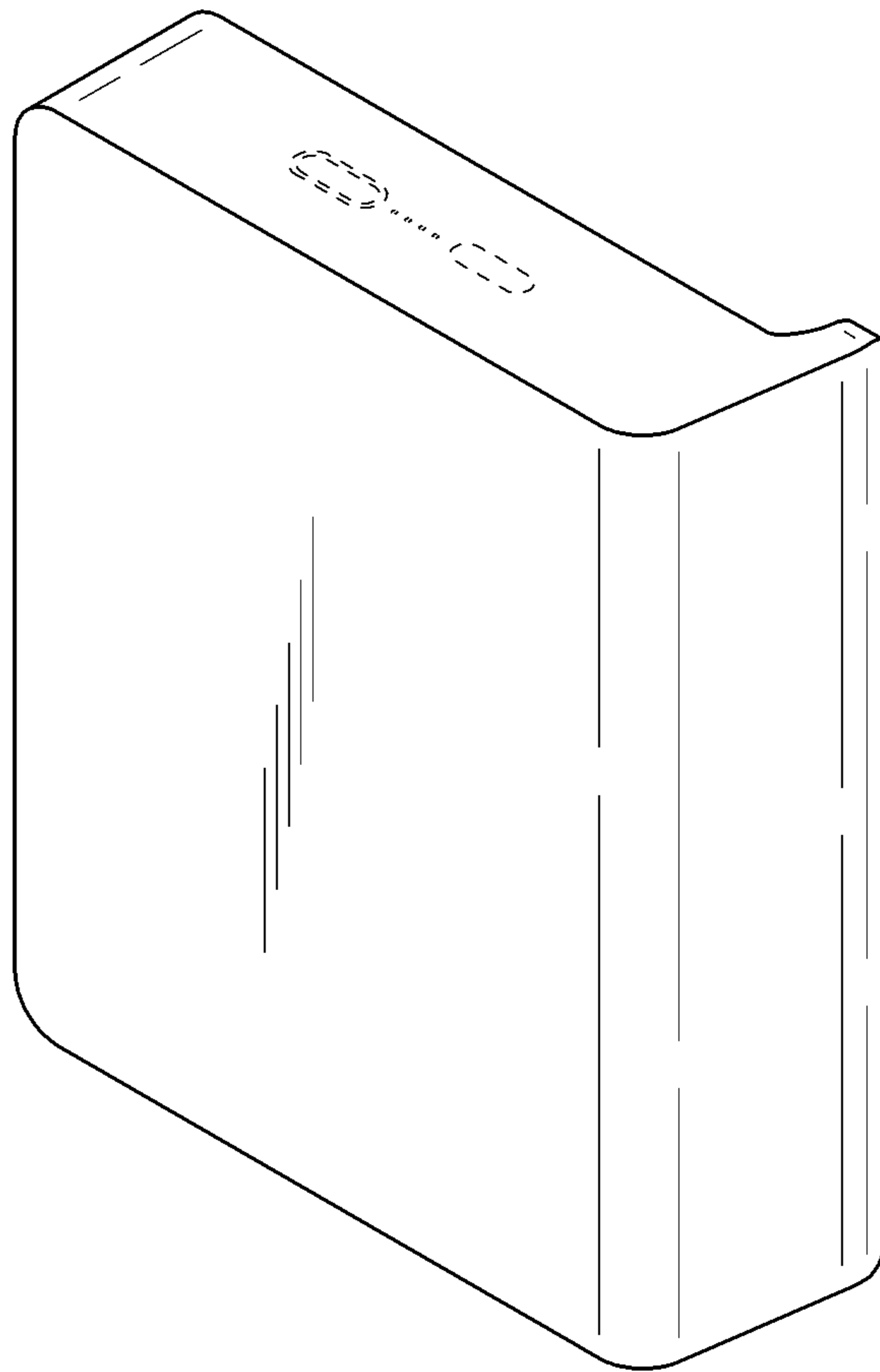


FIG.2

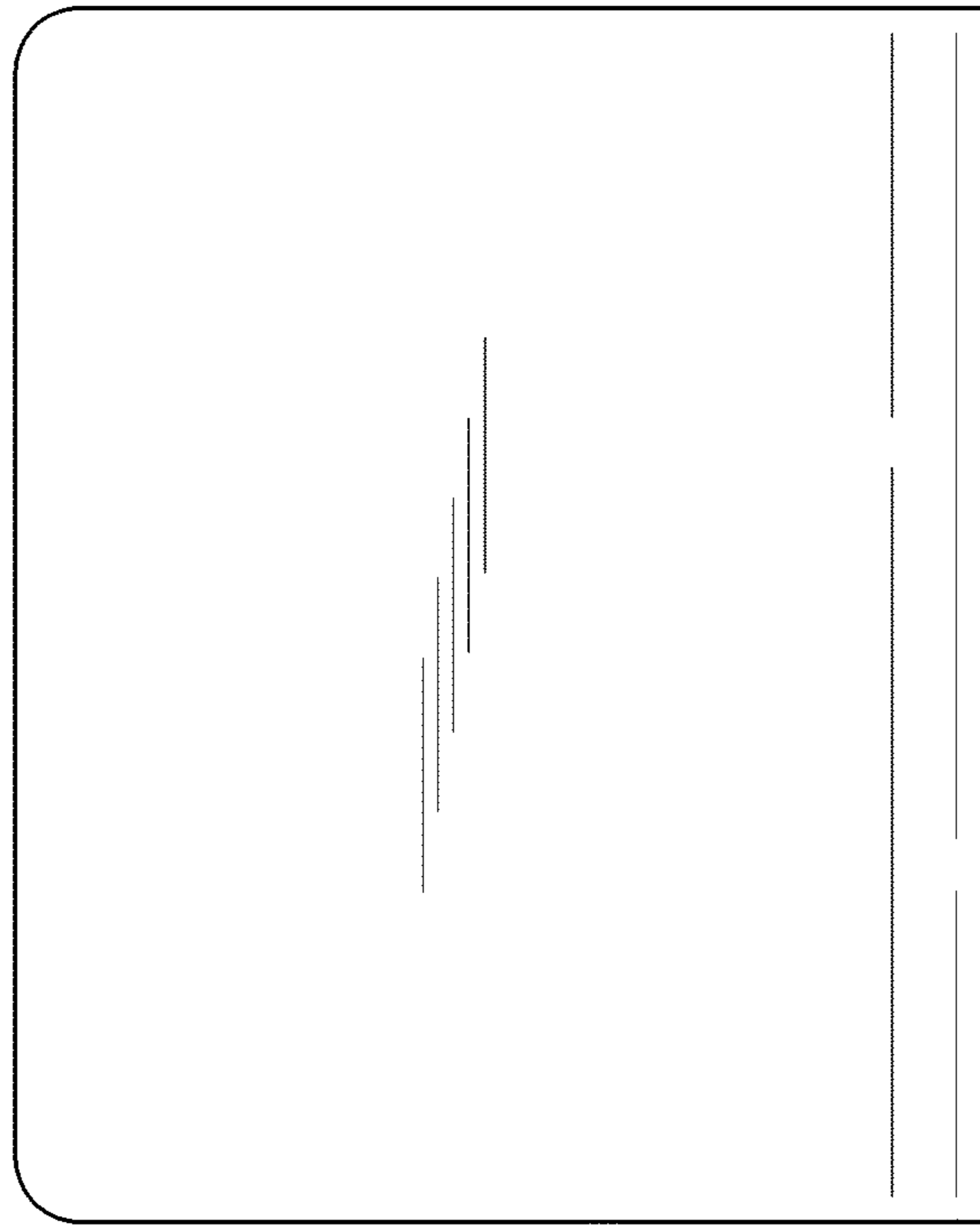


FIG.3

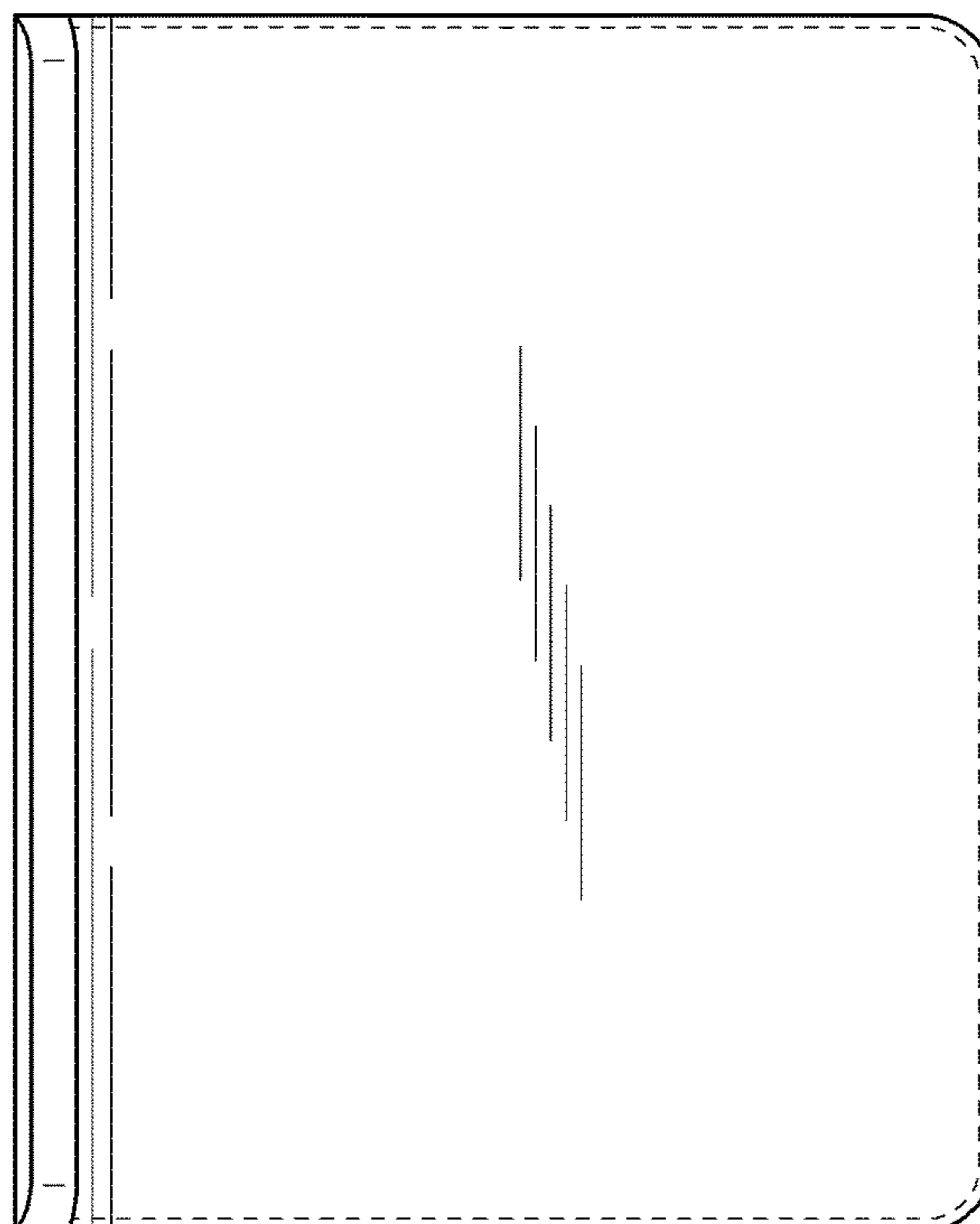


FIG.4

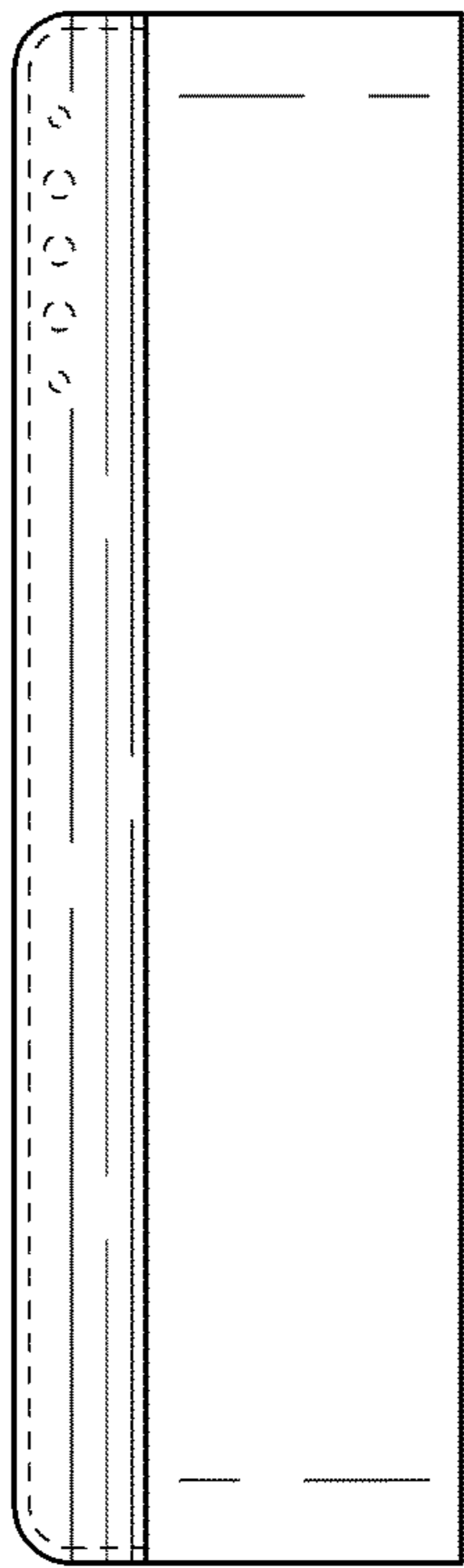


FIG.5

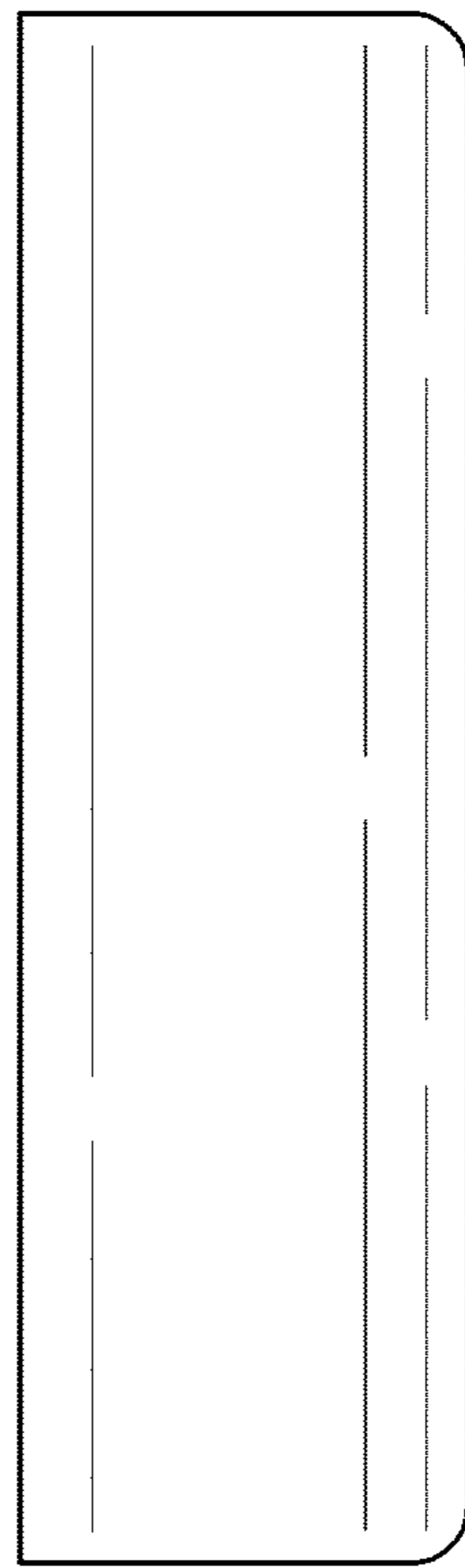


FIG.6

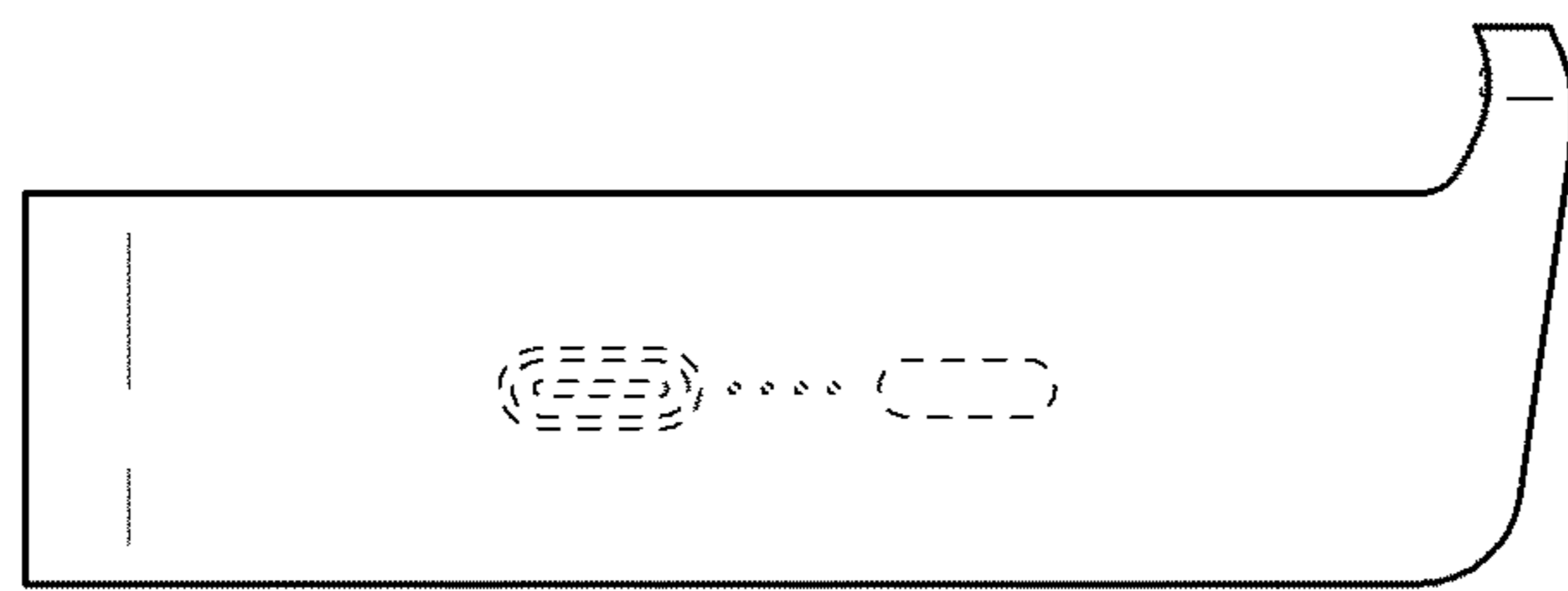


FIG.7

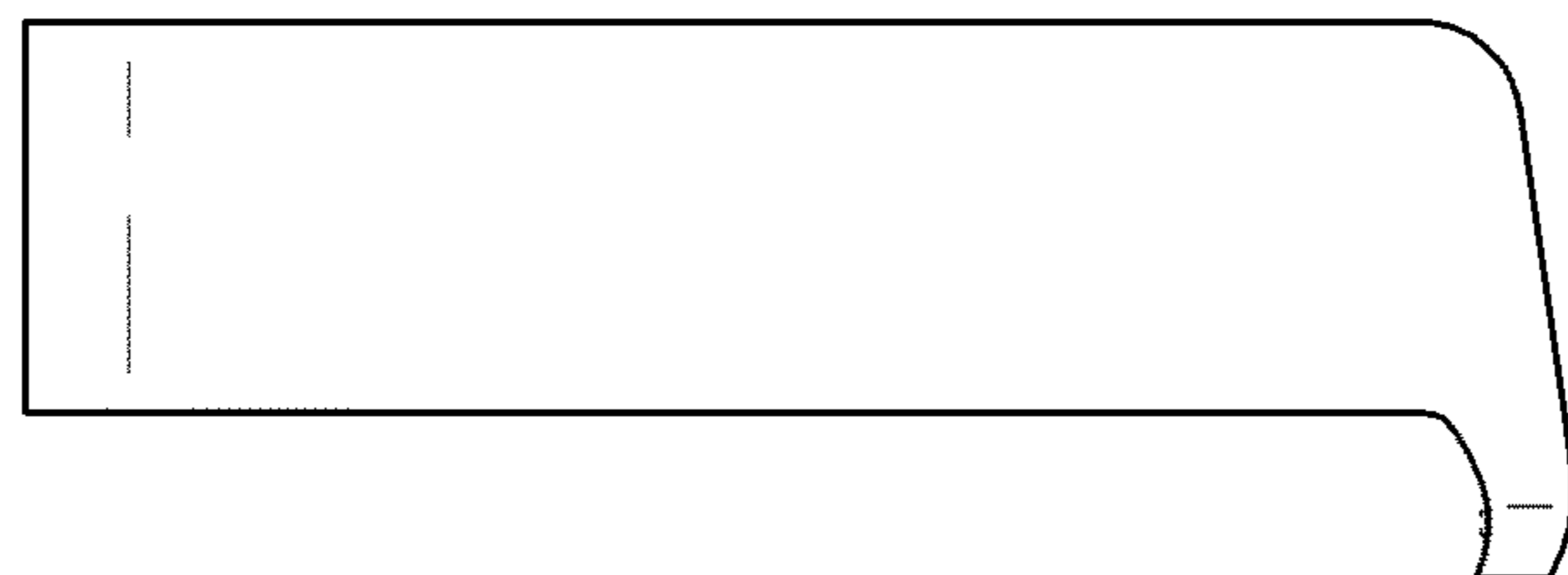


FIG.8

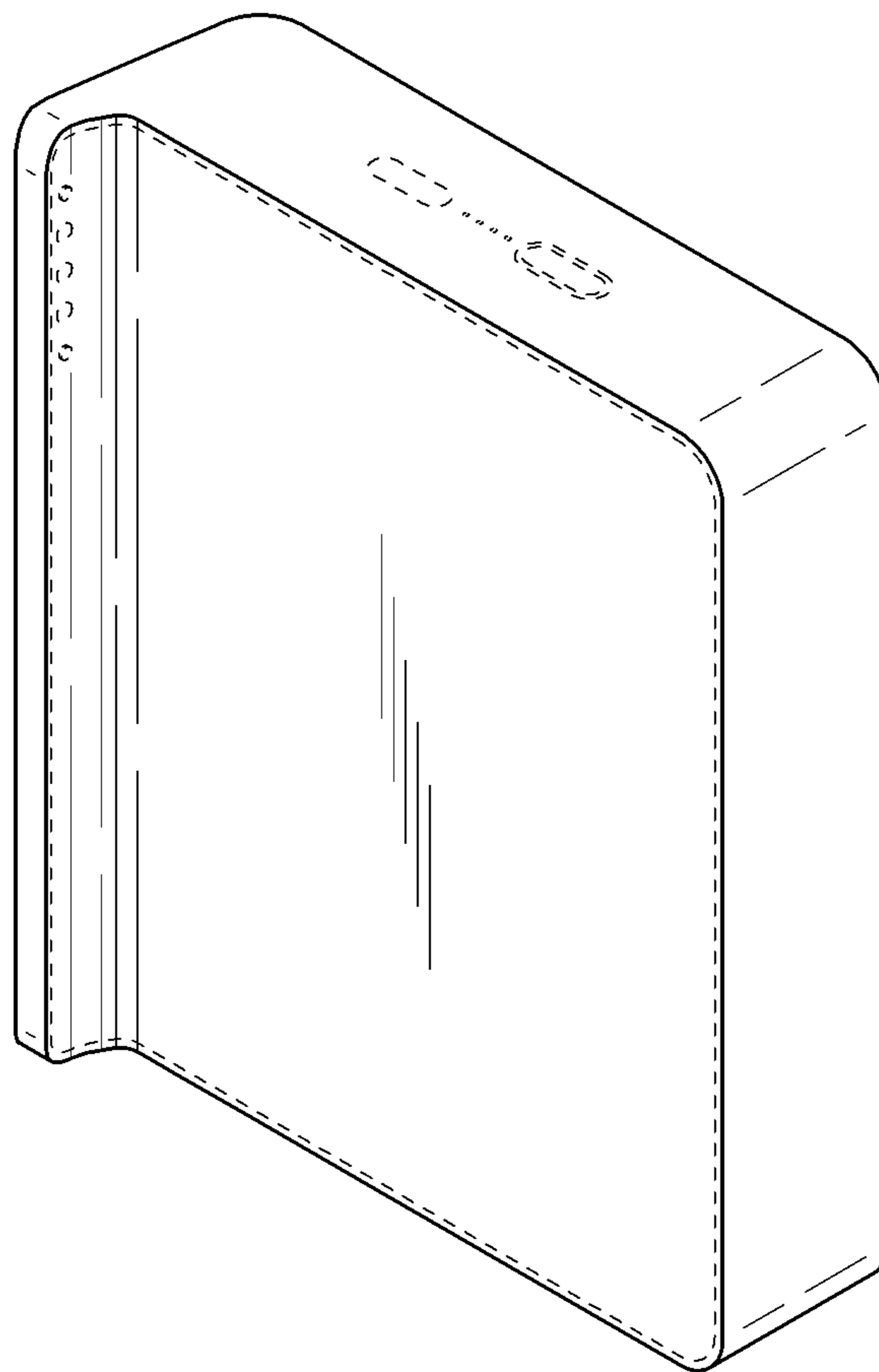


FIG.9

