



US00D974288S

(12) **United States Design Patent**
Koeniger et al.

(10) **Patent No.:** **US D974,288 S**
(45) **Date of Patent:** **** Jan. 3, 2023**

(54) **RECHARGEABLE BATTERY**
(71) Applicant: **Hilti Aktiengesellschaft**, Schaan (LI)
(72) Inventors: **Tobias Koeniger**, Bregenz (AT);
Johannes Hammers, Schaan (LI);
Andreas Spomer, Munich (DE); **Julian Winckler**, Feldkirch (AT); **Graham Kevvy**, Aalen (DE)

D946,504 S * 3/2022 Qiu D13/103
D950,483 S * 5/2022 Yrad, Jr. D13/103
D951,860 S * 5/2022 Forsberg D13/103
D951,862 S * 5/2022 Xia D13/103
D952,552 S * 5/2022 Forsberg D13/103
D952,554 S * 5/2022 Xu D13/103
D953,253 S * 5/2022 Cestonaro D13/103
D953,258 S * 5/2022 Ye D13/103

(73) Assignee: **Hilti Aktiengesellschaft**, Schaan (LI)
(**) Term: **15 Years**

OTHER PUBLICATIONS
Rechargeable Batteries. (Design—© Questel) orbit.com. [Online PDF compilation of references selected by examiner] 56 pgs. Print Dates Range Mar. 23, 2021-Oct. 17, 2017 [Retrieved Jun. 10, 2022].*

(21) Appl. No.: **29/775,221**

(Continued)

(22) Filed: **Mar. 22, 2021**

Primary Examiner — George D. Kirschbaum
Assistant Examiner — Suzanne E Tisdell
(74) *Attorney, Agent, or Firm* — Crowell & Moring LLP

(30) **Foreign Application Priority Data**

Sep. 23, 2020 (LI) 2020-696

(51) **LOC (14) Cl.** **13-02**

(52) **U.S. Cl.**
USPC **D13/103**

(58) **Field of Classification Search**
USPC D13/102, 103, 104, 105, 106, 110, 118,
D13/119, 184, 199
CPC .. H01M 10/05; H01M 10/052; H01M 10/054;
H01M 10/425; H01M 10/48; H01M
10/486; H01M 50/249; H01M 2220/30;
H01M 2250/30
See application file for complete search history.

(57) **CLAIM**
The ornamental design for a rechargeable battery, as shown and described.

(56) **References Cited**

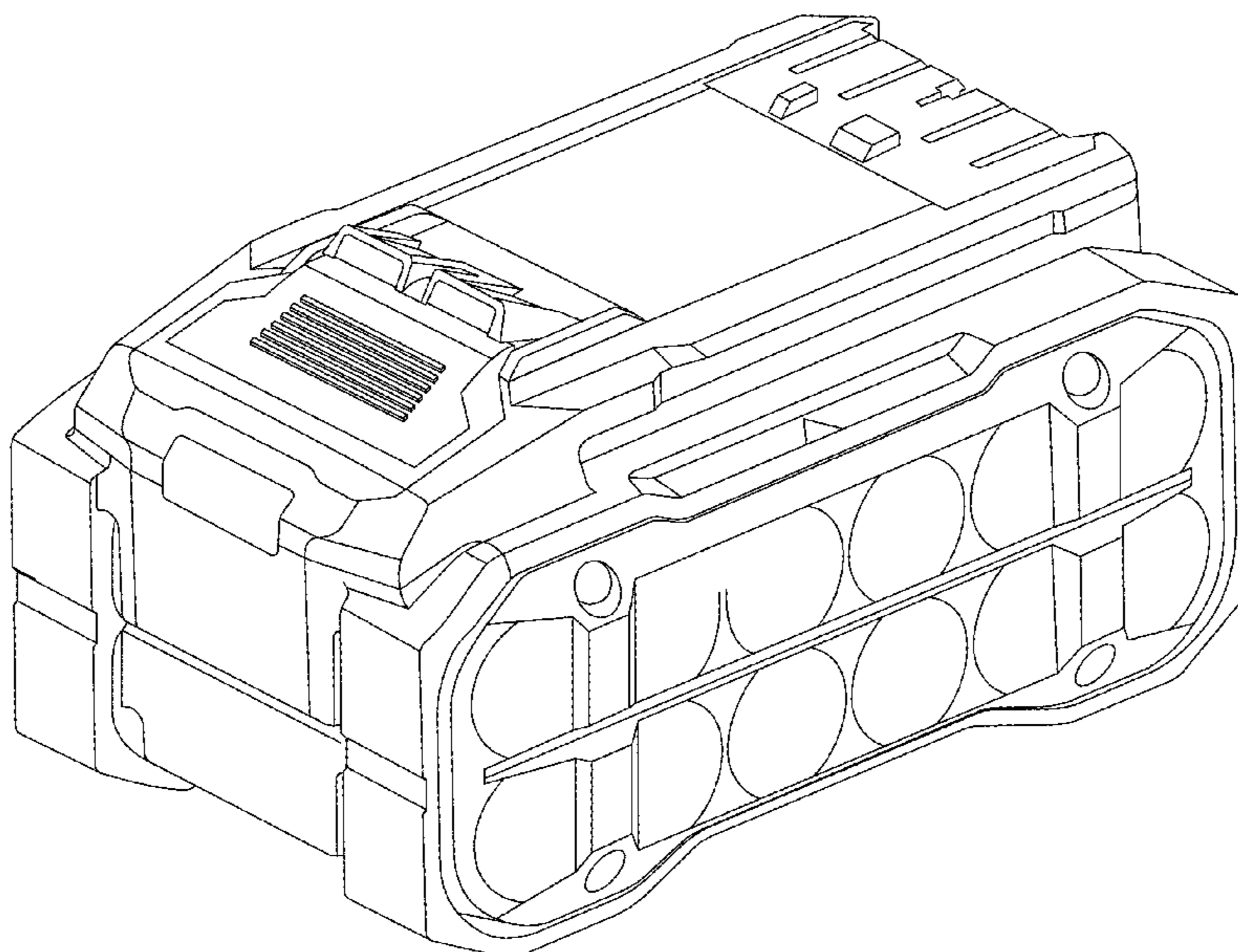
U.S. PATENT DOCUMENTS

D510,722 S * 10/2005 Kosiba D13/103
D639,730 S * 6/2011 Kawase D13/103
D938,903 S * 12/2021 Miyake D13/103
D941,752 S * 1/2022 Luo D13/103
D945,959 S * 3/2022 Okuda D13/103

DESCRIPTION

FIG. 1 is a perspective view of a rechargeable battery according to our new design;
FIG. 2 is a front view thereof;
FIG. 3 is a rear view thereof;
FIG. 4 is a right side view thereof;
FIG. 5 is a left side view thereof;
FIG. 6 is a top view thereof;
FIG. 7 is a bottom view thereof;
FIG. 8 is a perspective view thereof;
FIG. 9 is a right side view thereof;
FIG. 10 is a perspective view thereof; and,
FIG. 11 is a right side view thereof.

1 Claim, 11 Drawing Sheets



(56)

References Cited

OTHER PUBLICATIONS

DeWalt 20V Max Compact XR Lithium Ion Drill Battery Pack. 2017. Tractor Supply. <https://www.tractorsupply.com/tsc/product/dewalt-20v-max-compact-xr-lithium-ion-battery-pack>.*

40V 2 Ah Battery Greenworks. 2018. GreenWorks Tools. https://www.greenworkstools.com/40v-2ah-battery?device=c&ff=7&fp=302&j_campaign=15990624702&j_content=&j_medium=Shopping&j_source=Google%20Ads&utm_campaign=15990624702&utm_campaign=Google+Shopping&utm_content=&utm_medium=Shopping&utm_medium=shopping&utm_sourc.*

Greenworks 40V 4Ah USB Lithium Ion Battery. Before Jul. 15, 2019. Amazon. <https://www.amazon.com/dp/B07CY57QBM?th=1>.*

* cited by examiner

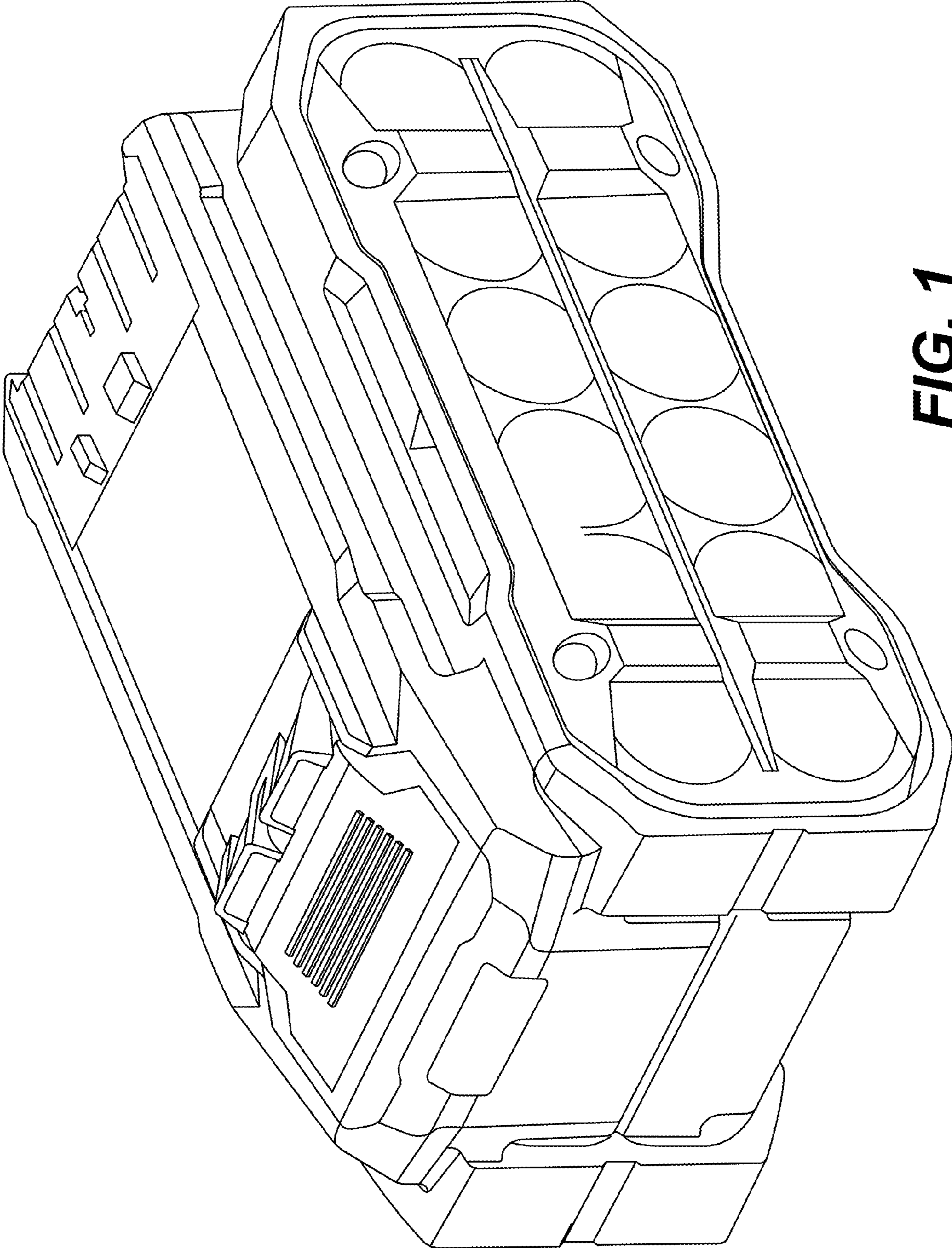


FIG. 1

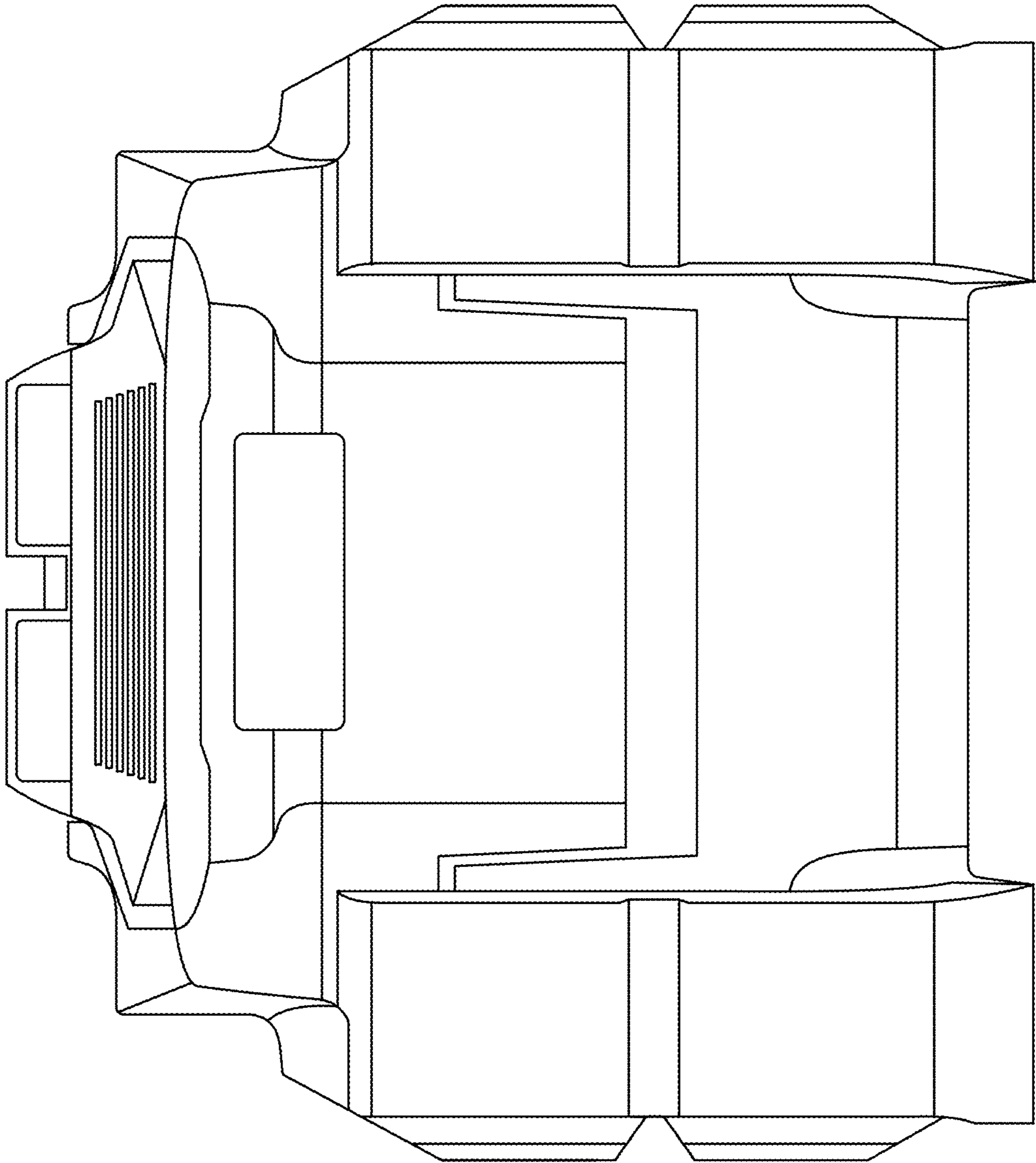


FIG. 2

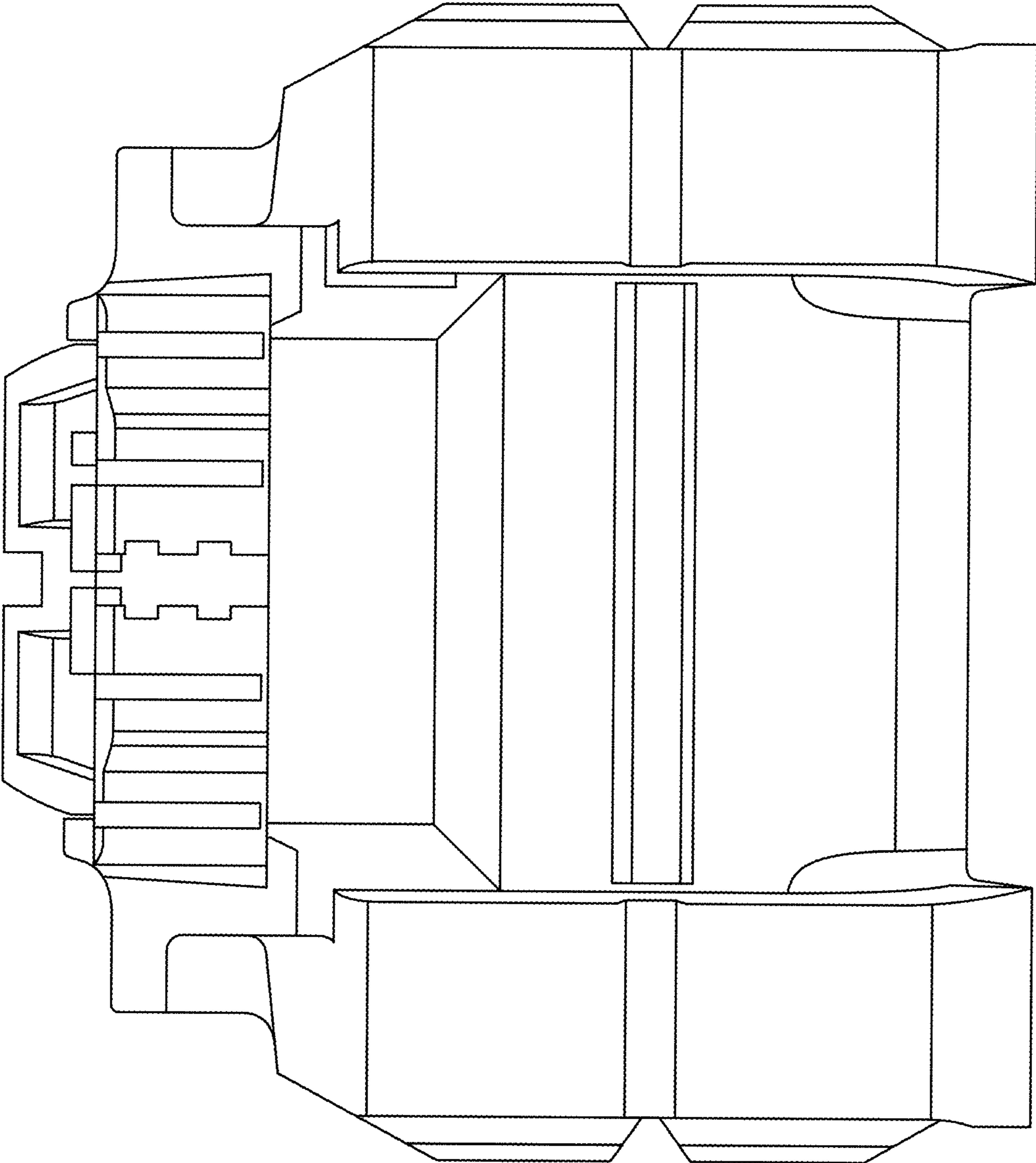


FIG. 3

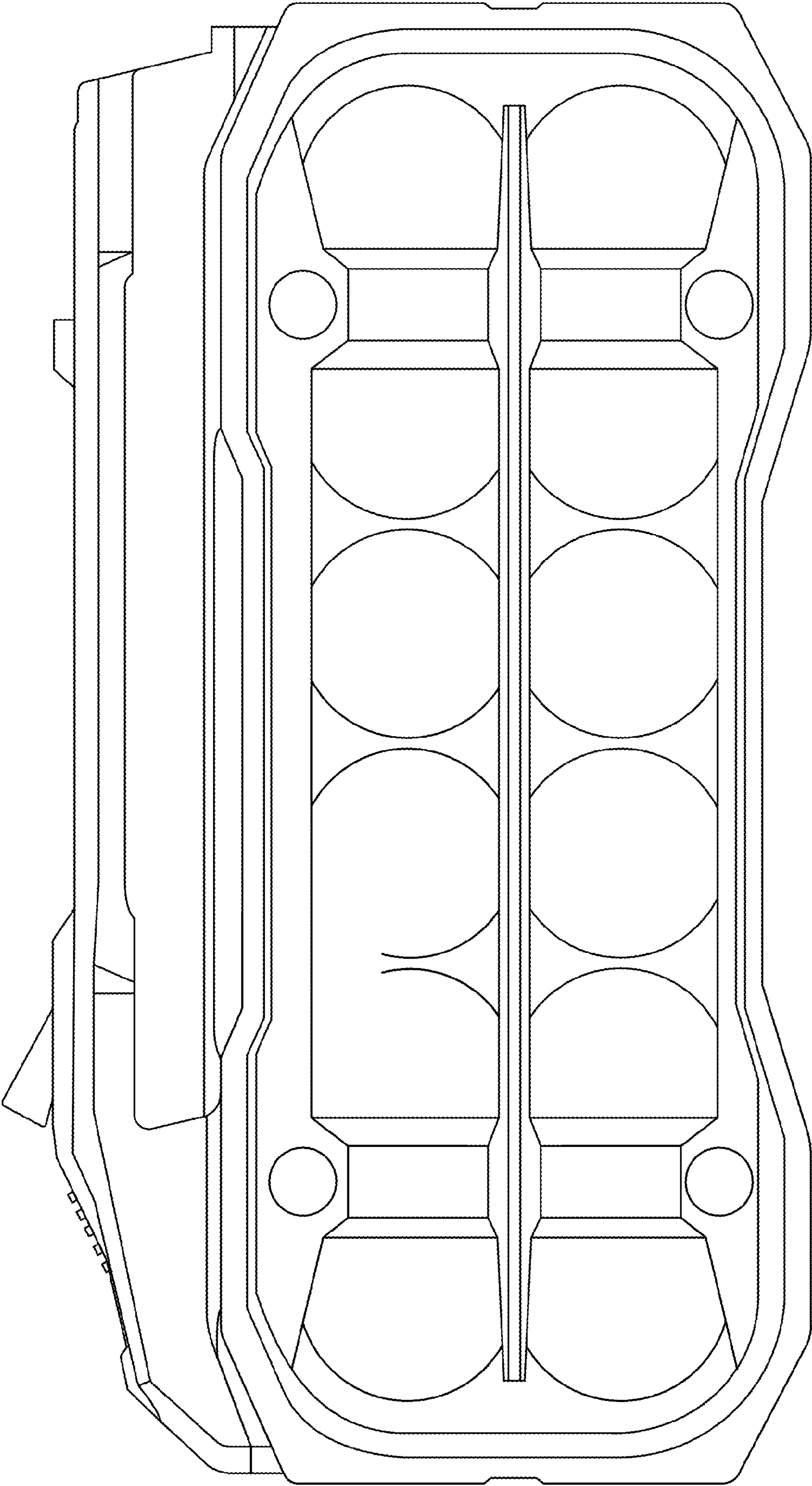


FIG. 4

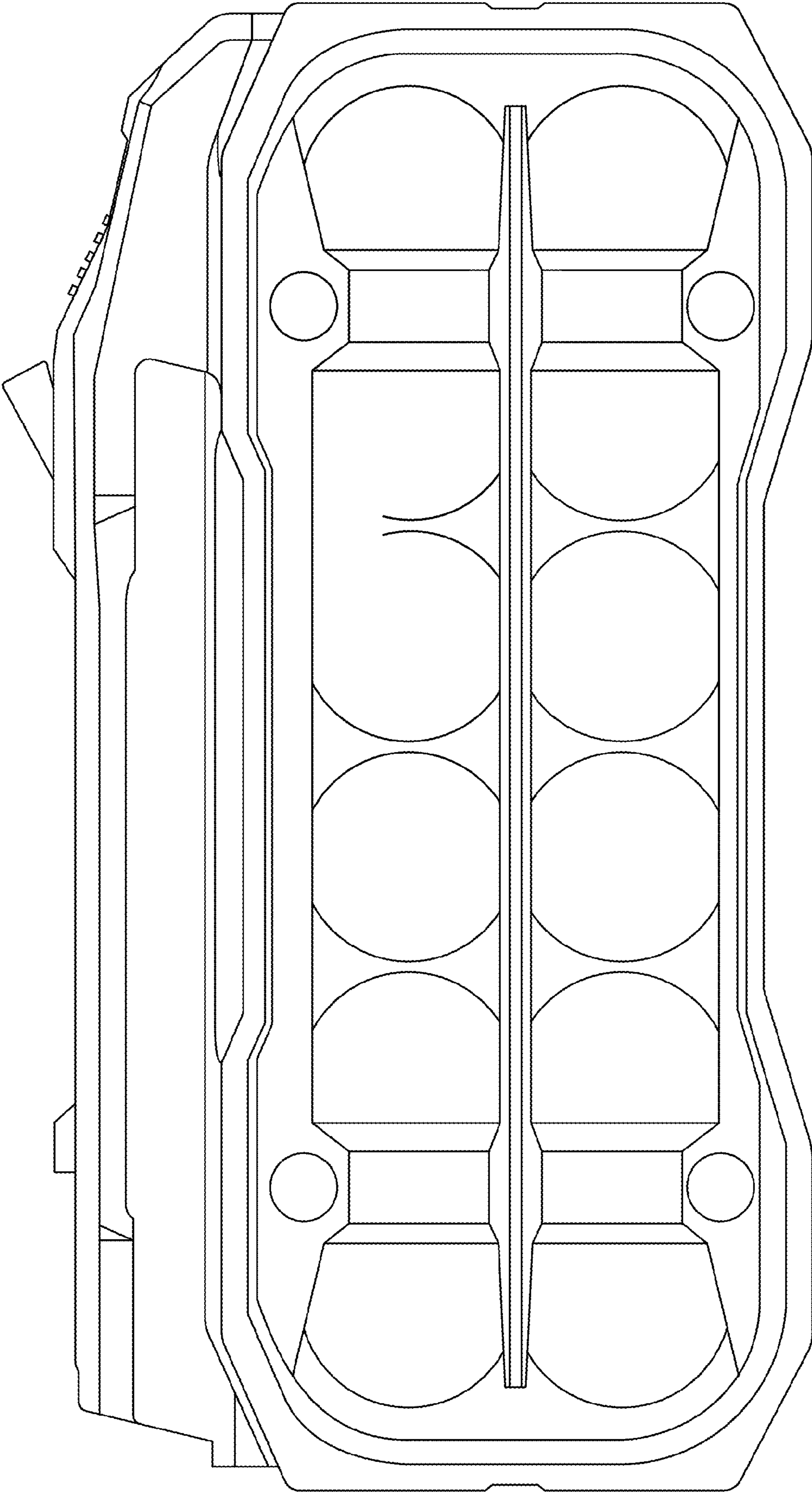


FIG. 5

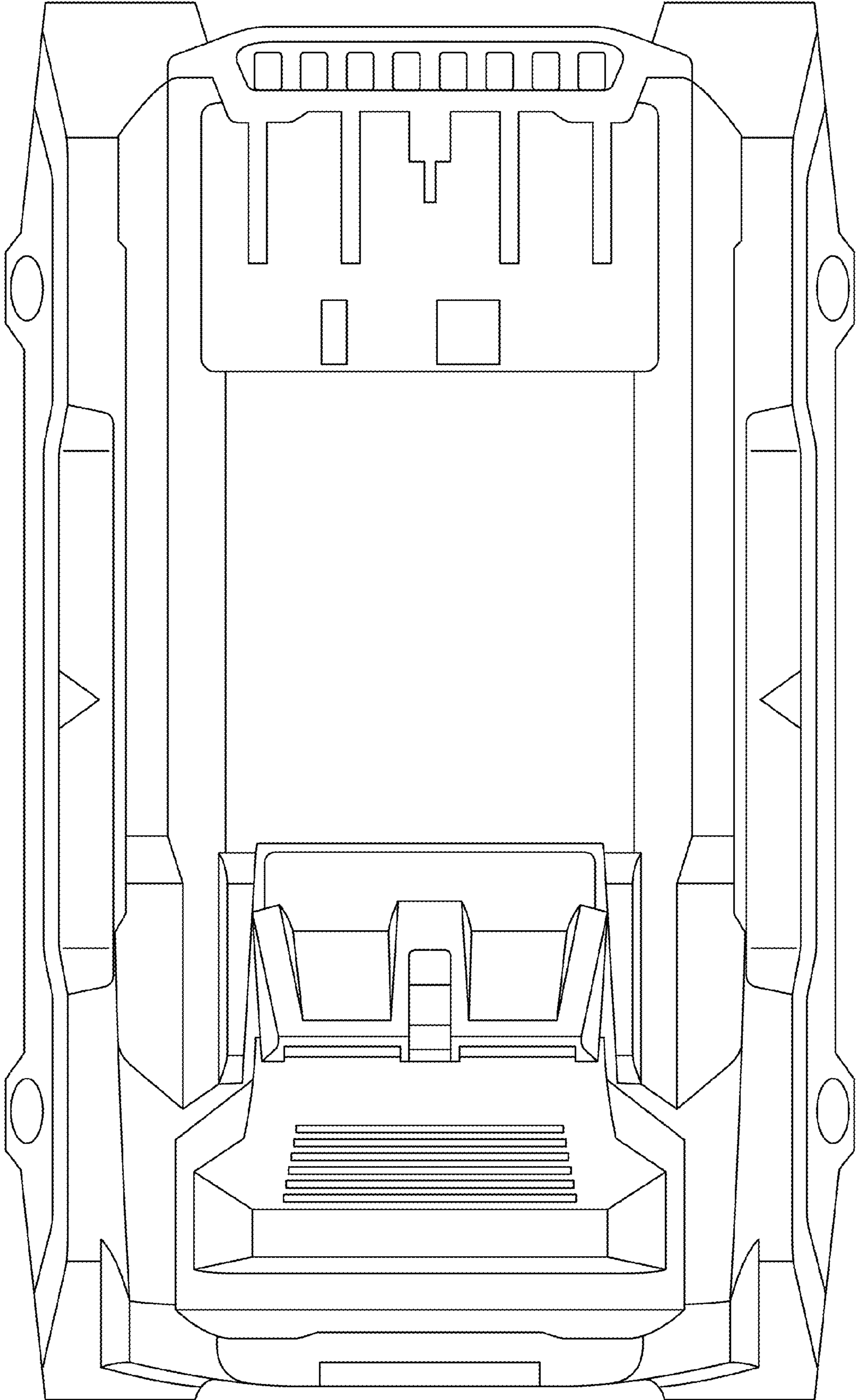


FIG. 6

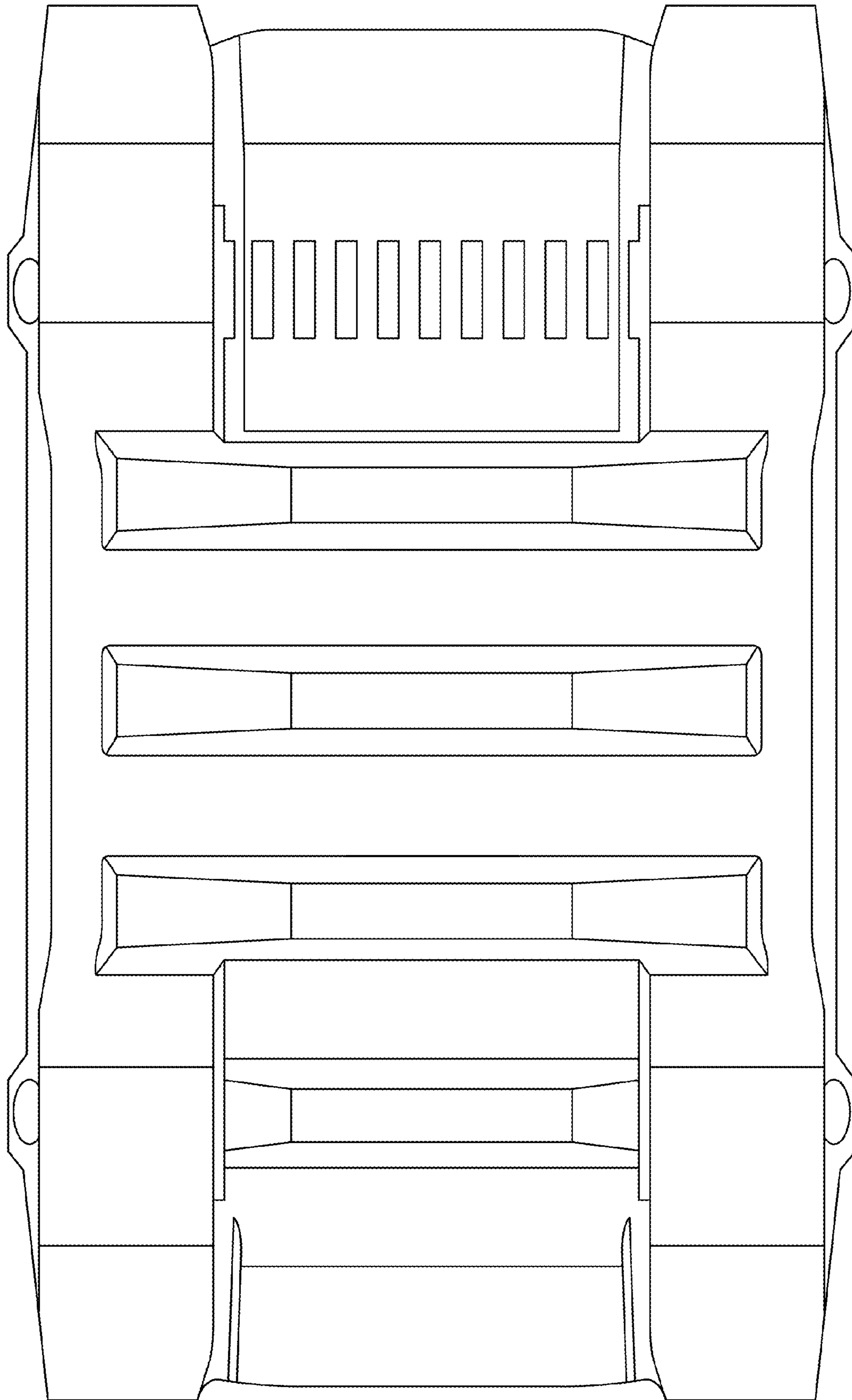


FIG. 7

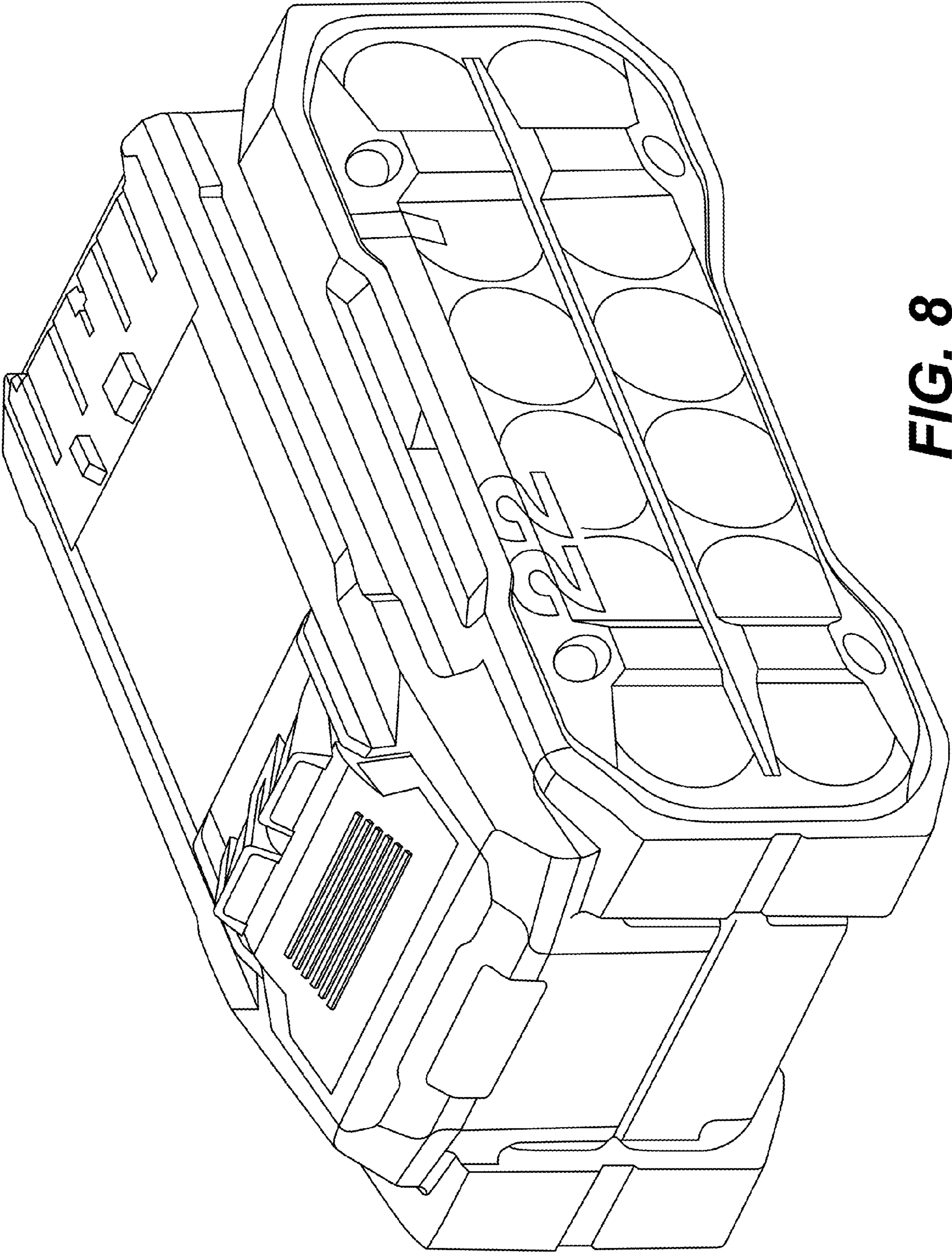


FIG. 8

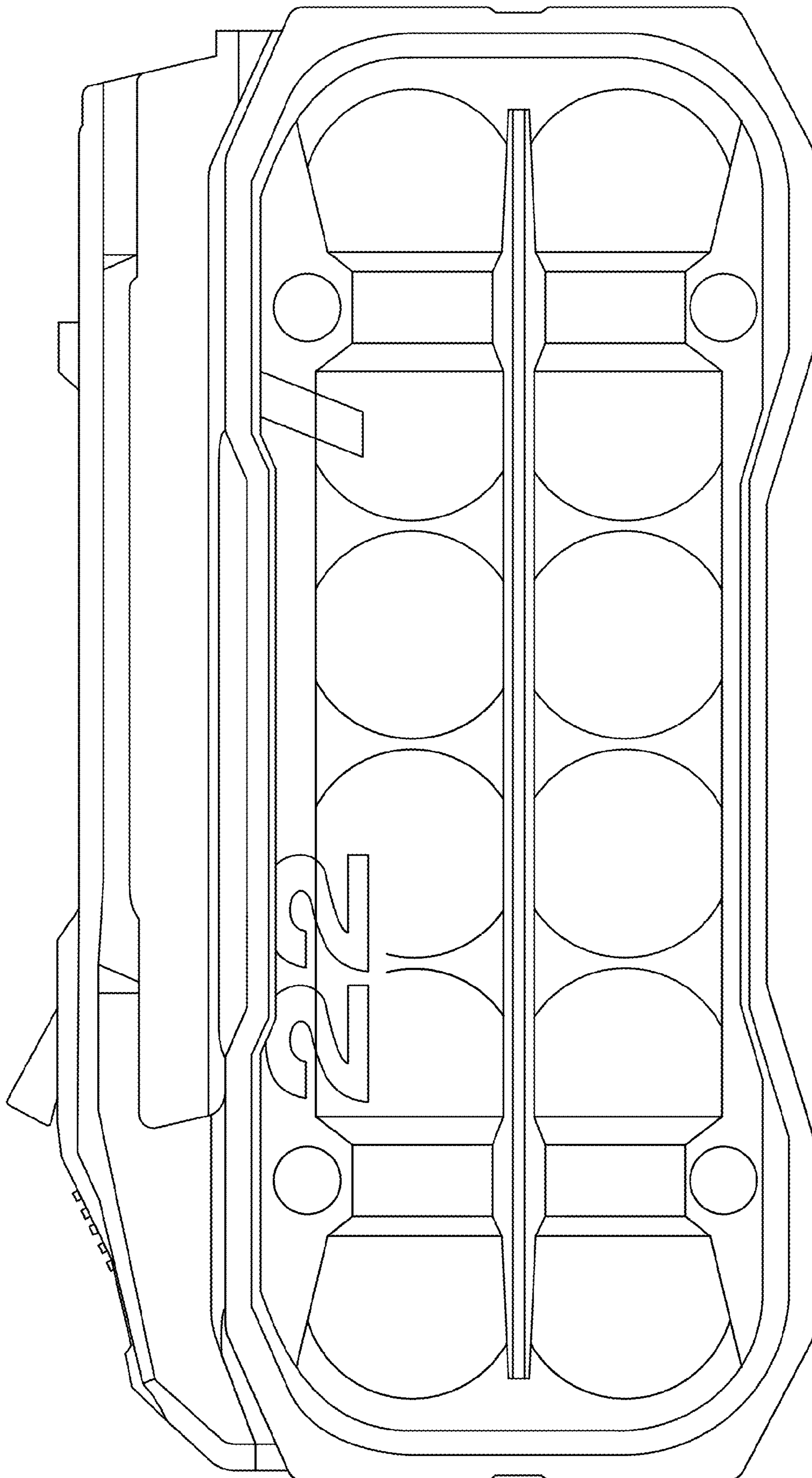


FIG. 9

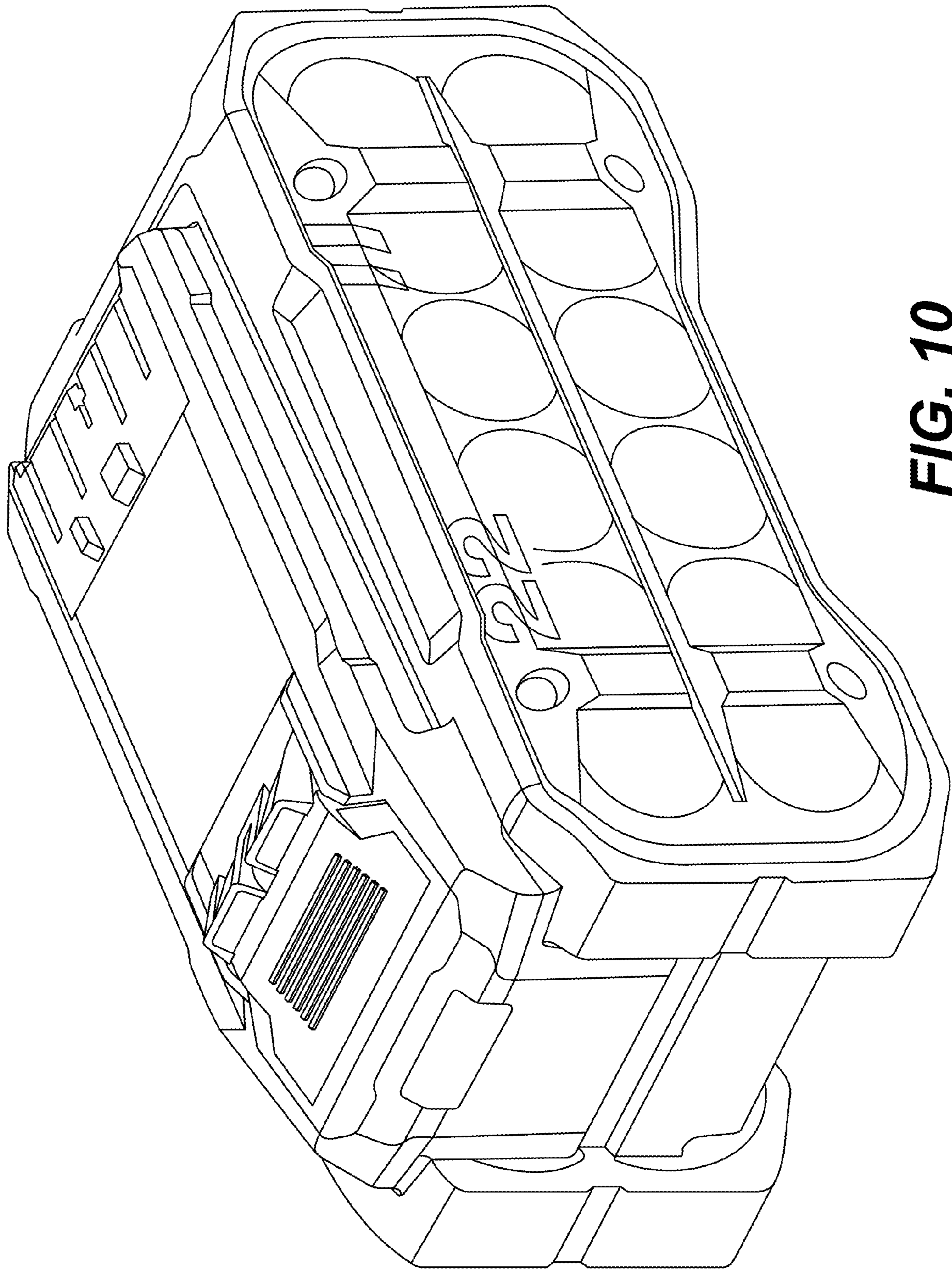


FIG. 10

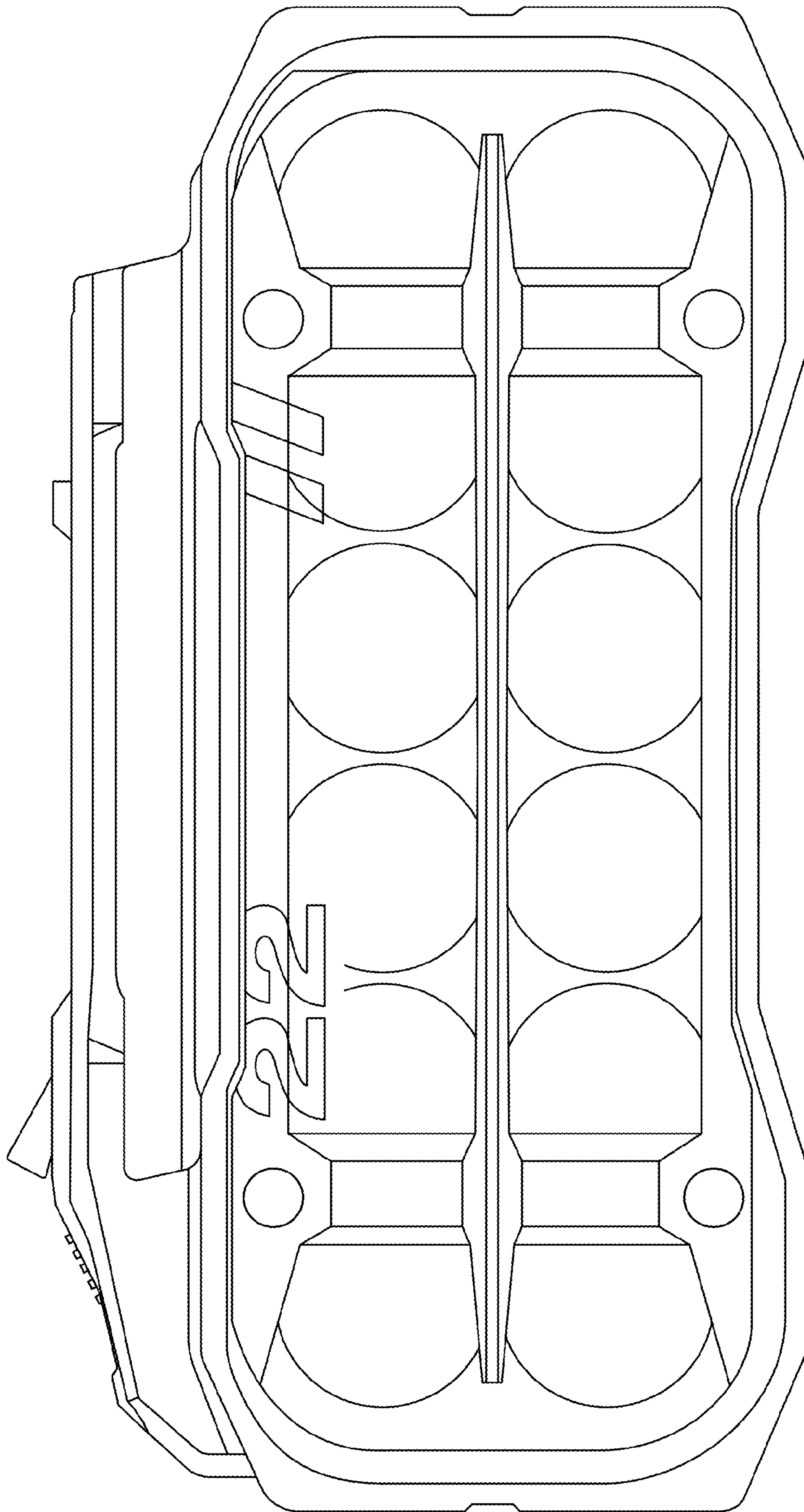


FIG. 11