



US00D974286S

(12) **United States Design Patent**  
**Choi et al.**

(10) **Patent No.:** **US D974,286 S**  
(45) **Date of Patent:** **\*\* Jan. 3, 2023**

(54) **BATTERY PACK**

(71) Applicant: **LG Chem, Ltd.**, Seoul (KR)

(72) Inventors: **Yeo-Joo Choi**, Daejeon (KR);  
**Bum-Hyun Lee**, Korea (KR); **Jae-Ki Lee**, Daejeon (KR); **Jae-Bum Lim**, Daejeon (KR); **En-Bin Jo**, Daejeon (KR)

(73) Assignee: **LG Energy Solution, Ltd.**

(\*\*) Term: **15 Years**

(21) Appl. No.: **29/734,533**

(22) Filed: **May 13, 2020**

(30) **Foreign Application Priority Data**

Mar. 31, 2020 (KR) ..... 30-2020-0014329

(51) **LOC (14) Cl.** ..... **13-02**

(52) **U.S. Cl.**  
USPC ..... **D13/103**

(58) **Field of Classification Search**  
USPC ..... D13/102–106, 107, 108, 118, 199, 110  
(Continued)

(56) **References Cited**

**U.S. PATENT DOCUMENTS**

D725,589 S \* 3/2015 Hidaka ..... D13/103  
D810,021 S \* 2/2018 Iwai ..... D13/119  
(Continued)

**OTHER PUBLICATIONS**

Battery Pack publicly disclosed by Applicant, LG Chem, Ltd., on May 15, 2019, at The smarter E Europe 2019 exhibition in Munich, Germany. (Brochure cover of the exhibition (The Smarter E Europe\_2019) with the exhibition date attached as Exhibit A; Images of Exhibit Booth in which Battery Pack was publicly disclosed attached as Exhibit B.); 5 pages.

*Primary Examiner* — Christy Nemeth

(74) *Attorney, Agent, or Firm* — Lerner, David, Littenberg, Krumholz & Mentlik, LLP

(57) **CLAIM**

The ornamental design for a battery pack, as shown and described.

**DESCRIPTION**

FIG. 1 is a front perspective view of a battery pack according to our design;

FIG. 2 is a front view thereof;

FIG. 3 is a rear view thereof;

FIG. 4 is a left side view thereof;

FIG. 5 is a right side view thereof;

FIG. 6 is a top view thereof;

FIG. 7 is a bottom view thereof;

FIG. 8 is a rear perspective view thereof;

FIG. 9 is an enlarged view of area “9” shown encircled in FIG. 1;

FIG. 10 is an enlarged view of area “10” shown encircled in FIG. 1;

FIG. 11 is an enlarged view of area “11” shown encircled in FIG. 1;

FIG. 12 is an enlarged view of area “12” shown encircled in FIG. 1;

FIG. 13 is an enlarged view of area “13” shown encircled in FIG. 4;

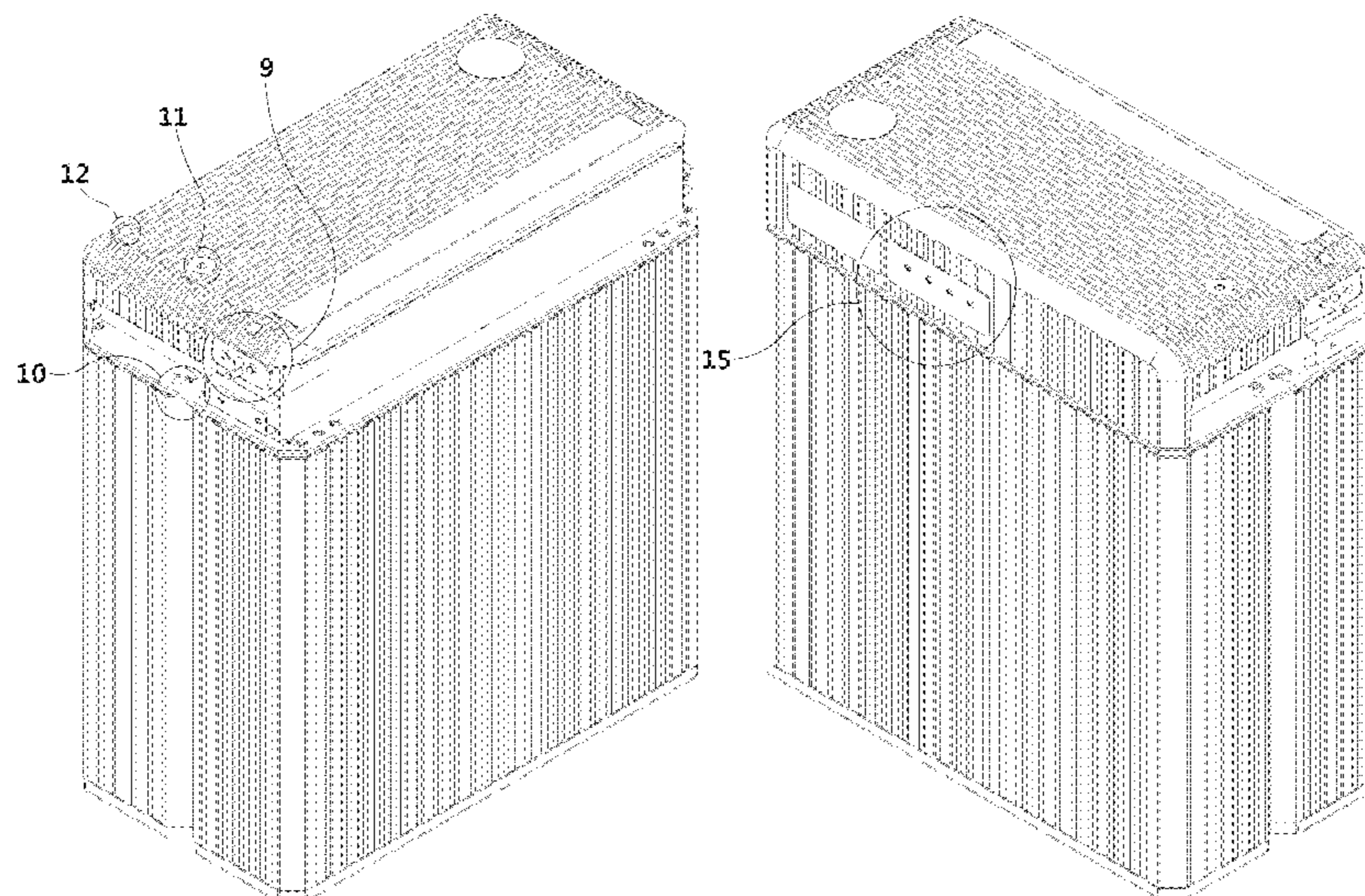
FIG. 14 is an enlarged view of area “14” shown encircled in FIG. 4;

FIG. 15 is an enlarged view of area “15” shown encircled in FIG. 8; and,

FIG. 16 is an enlarged view of area “16” shown encircled in FIG. 15.

The dash-dash broken lines in the drawings are for the purpose of illustrating portions of the article that form no part of the claimed design. The dot-dash lines in the drawings are for the purpose of illustrating the boundaries of the areas shown enlarged in the views.

**1 Claim, 16 Drawing Sheets**



(58) **Field of Classification Search**

CPC ..... Y02E 60/12; Y02E 60/122; Y02E 60/124;  
Y02E 60/50; H01M 2/02; H01M 2/022;  
H01M 2/0207; H01M 2/0212; H01M  
2/1061; H01M 2/1022; H01M 2/1055;  
H01M 2/1066; H01M 2/105; H01M  
2/204; H01M 10/4257; H01M 10/0436;  
H01M 10/48

See application file for complete search history.

(56) **References Cited**

U.S. PATENT DOCUMENTS

D826,145	S	*	8/2018	Kim	.....	D13/103
D826,146	S	*	8/2018	Kim	.....	D13/103
D826,147	S	*	8/2018	Kim	.....	D13/103
D826,148	S	*	8/2018	Kim	.....	D13/103
D826,847	S	*	8/2018	Kim	.....	D13/103
10,439,176	B2	*	10/2019	Choi	.....	H01M 10/425
D878,288	S	*	3/2020	Choi	.....	D13/103
10,784,478	B2	*	9/2020	Lee	.....	H01M 50/256
10,790,487	B2	*	9/2020	Kim	.....	H01M 50/258
2018/0076427	A1	*	3/2018	Choi	.....	H01M 50/20
2019/0027719	A1	*	1/2019	Kim	.....	H01M 50/258
2019/0036091	A1	*	1/2019	Lee	.....	H01M 50/256
2019/0267590	A1	*	8/2019	Choi	.....	H01M 50/20
2021/0249728	A1	*	8/2021	Choi	.....	H01M 10/425

\* cited by examiner

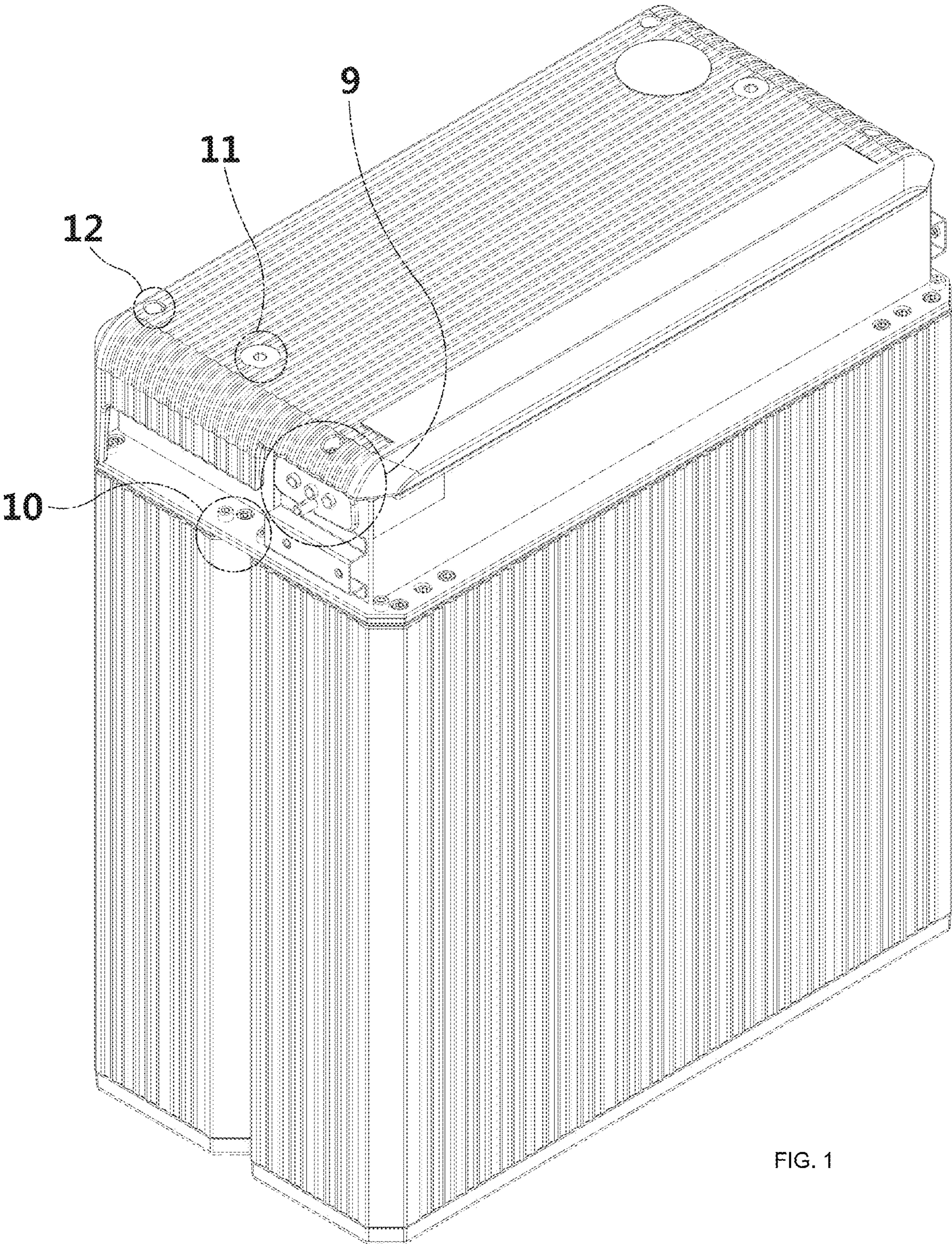


FIG. 1

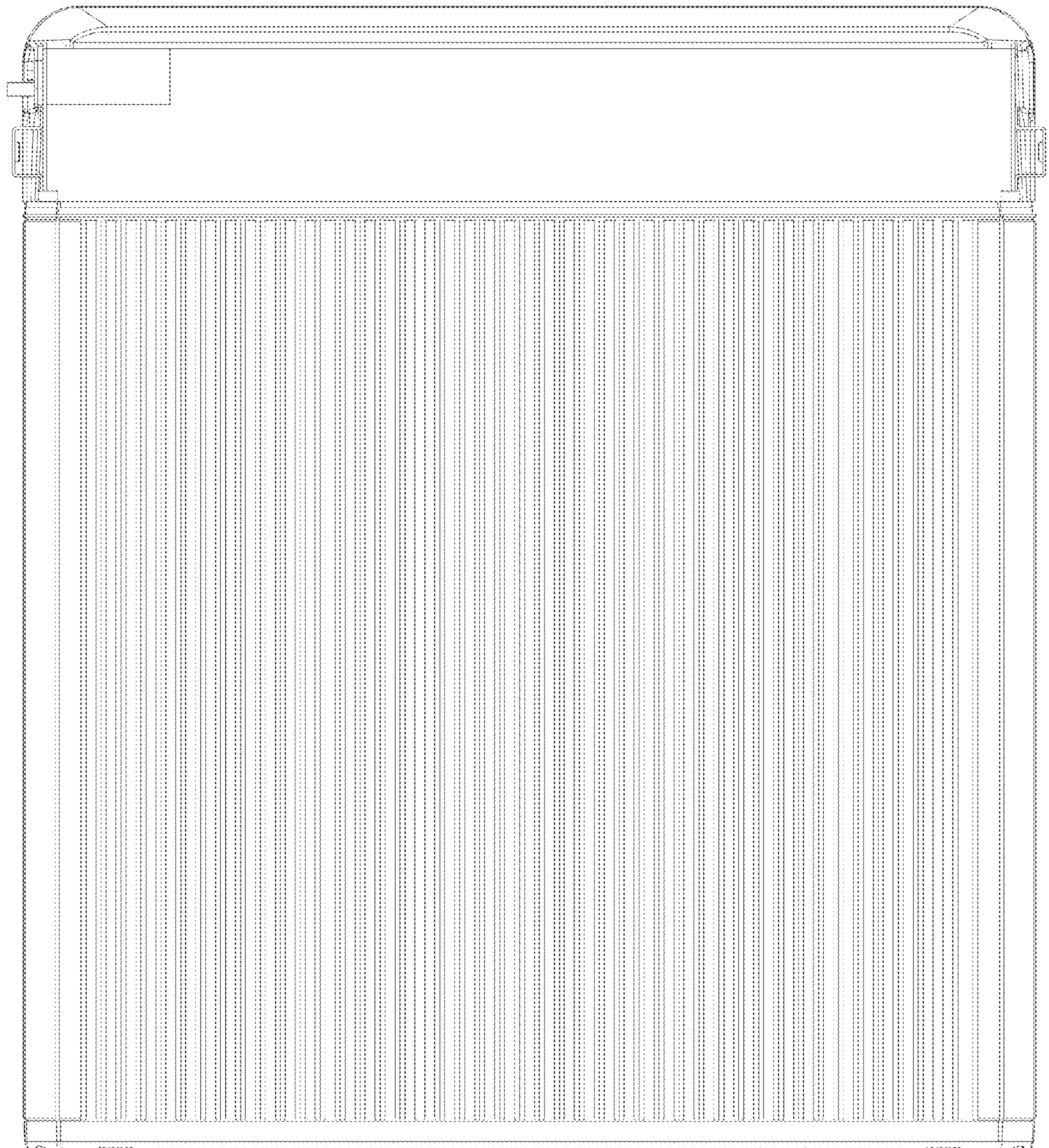


FIG. 2

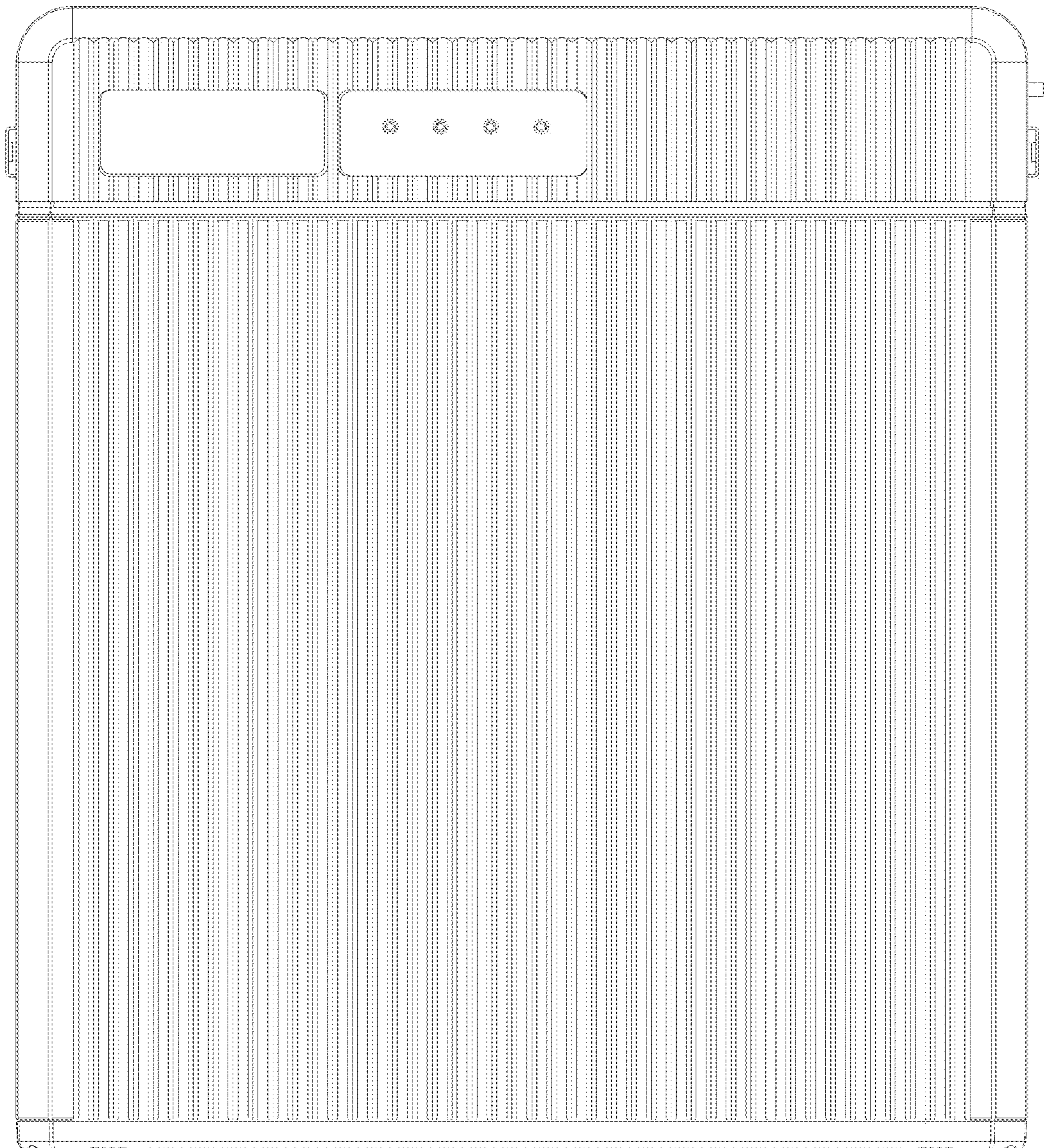


FIG. 3

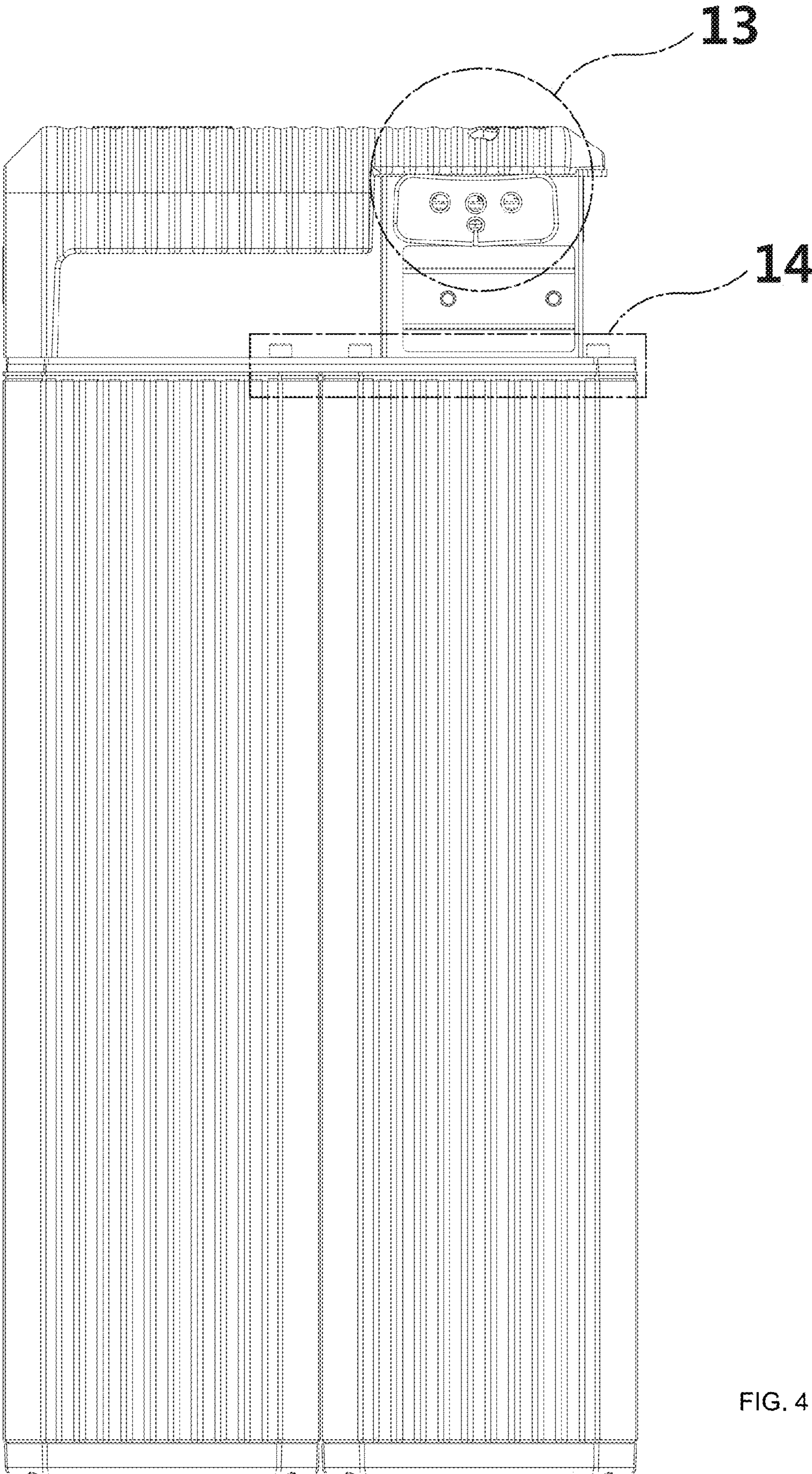


FIG. 4

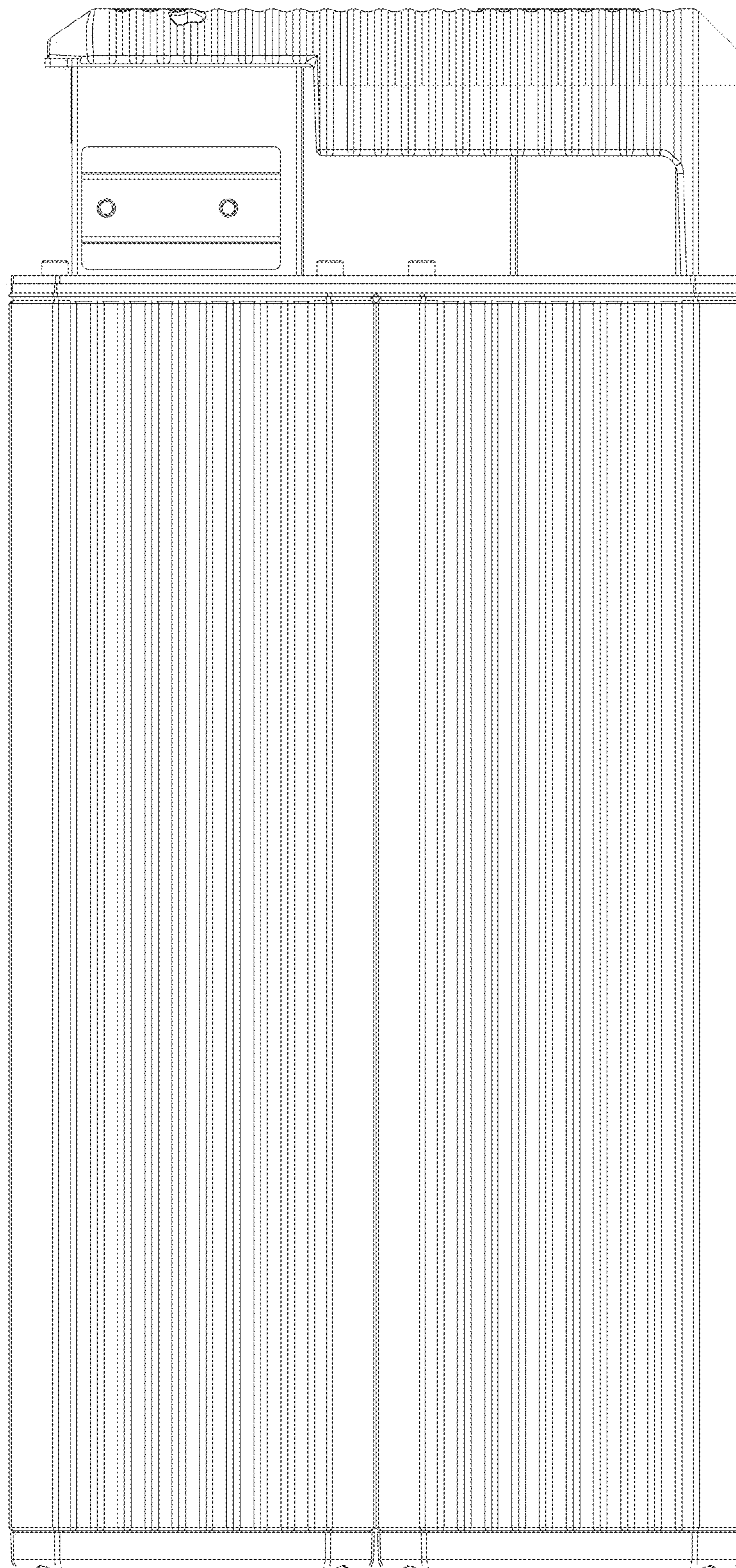


FIG. 5

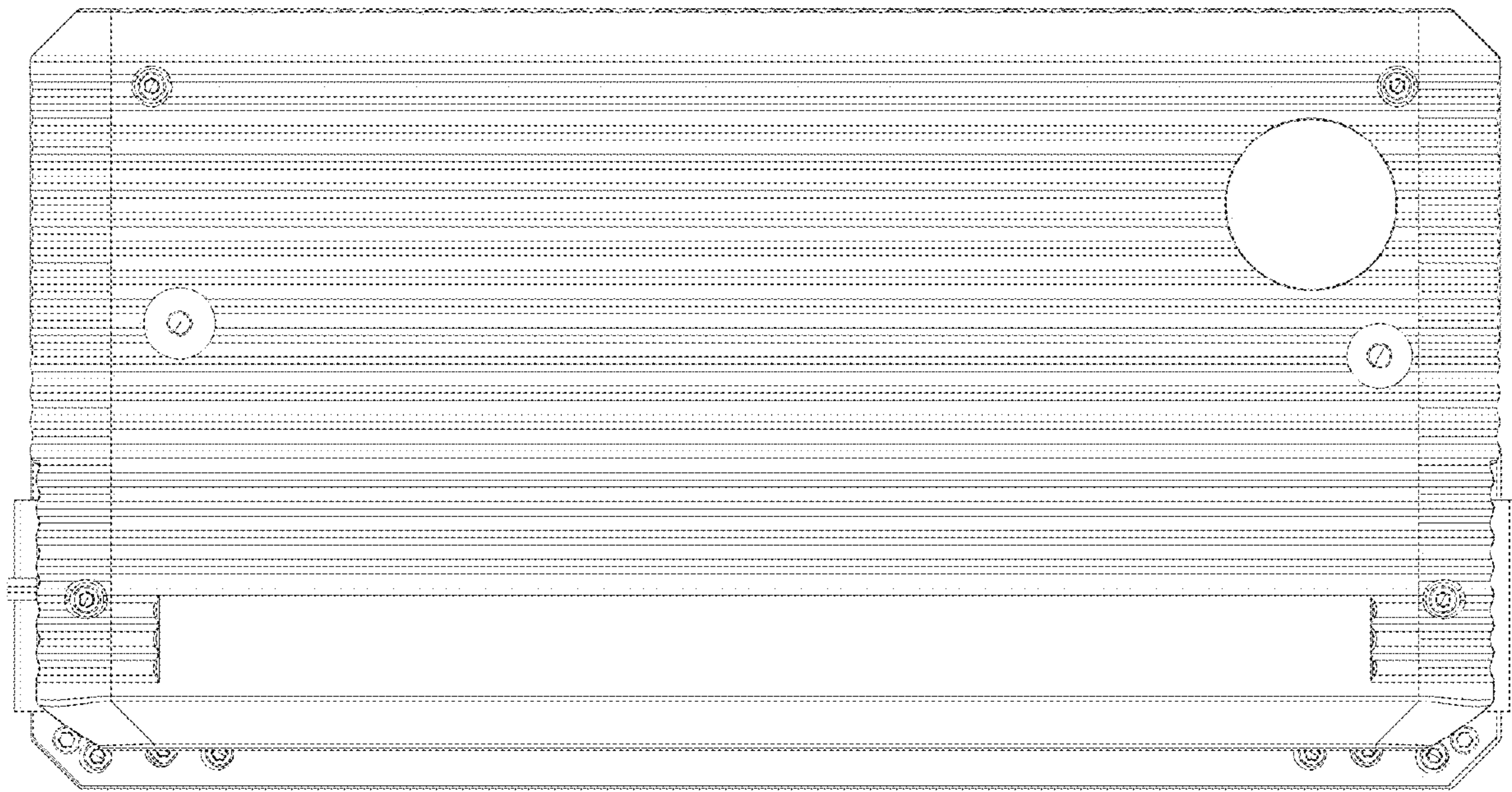


FIG. 6



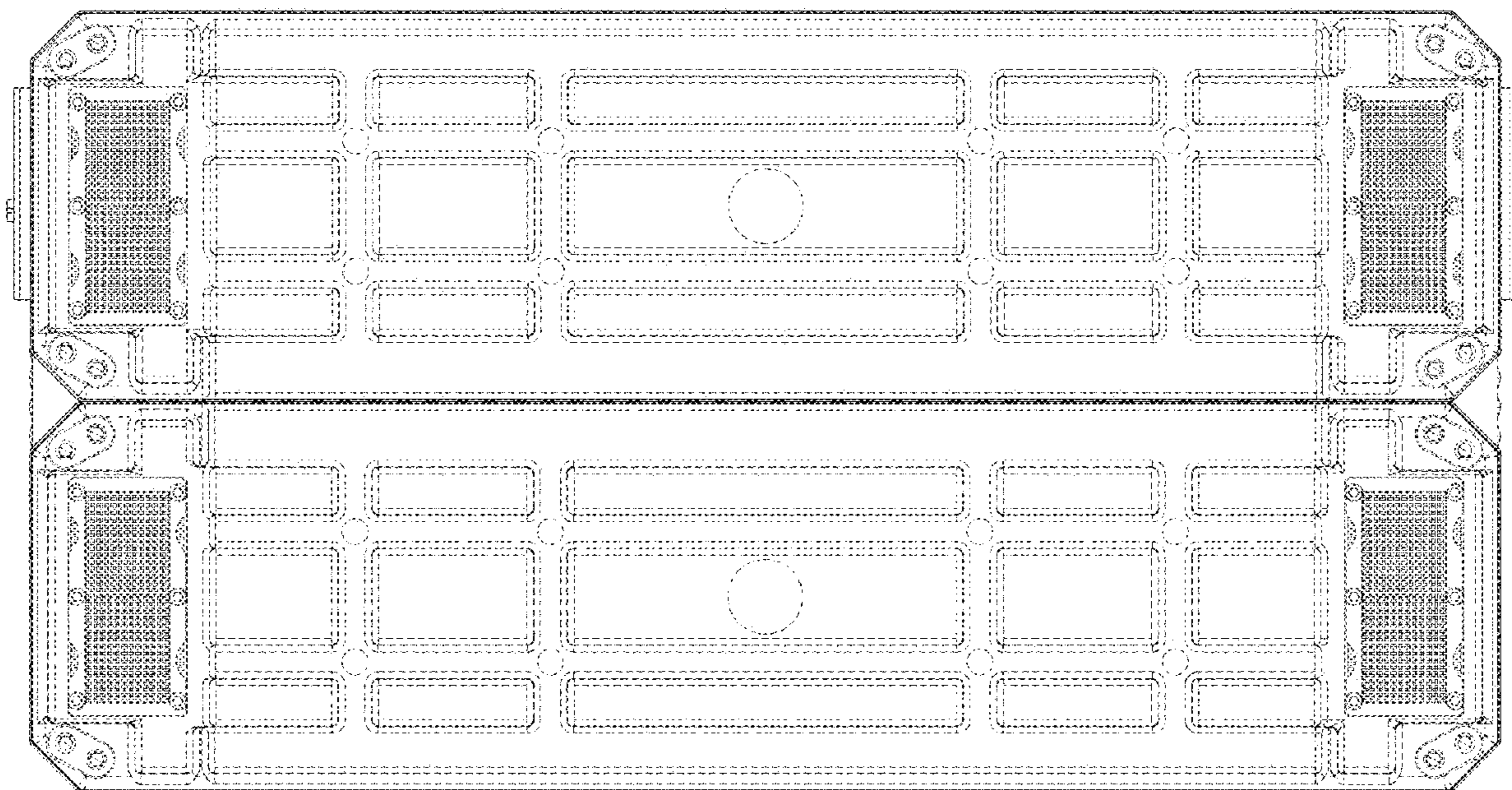


FIG. 7

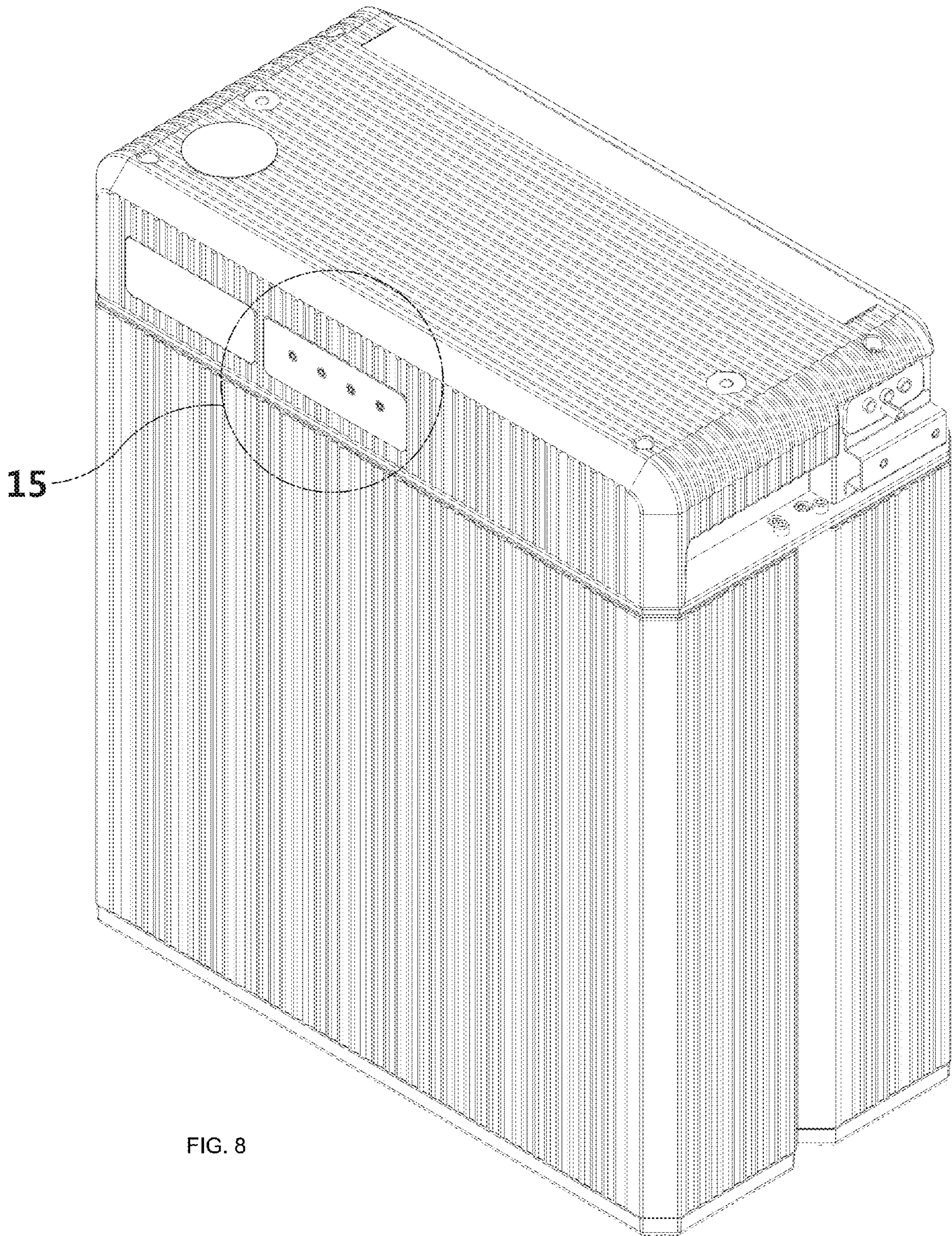


FIG. 8

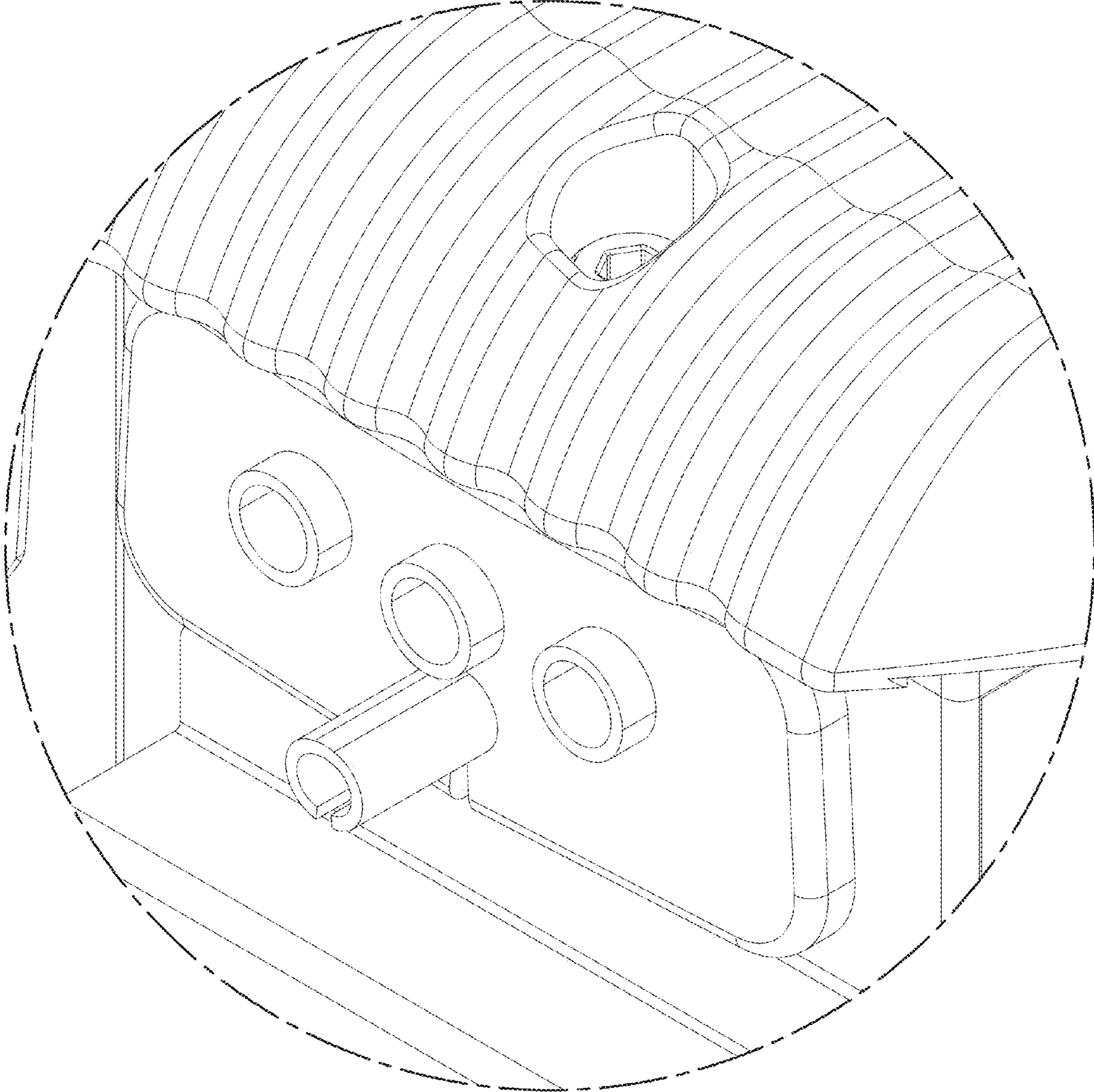


FIG. 9

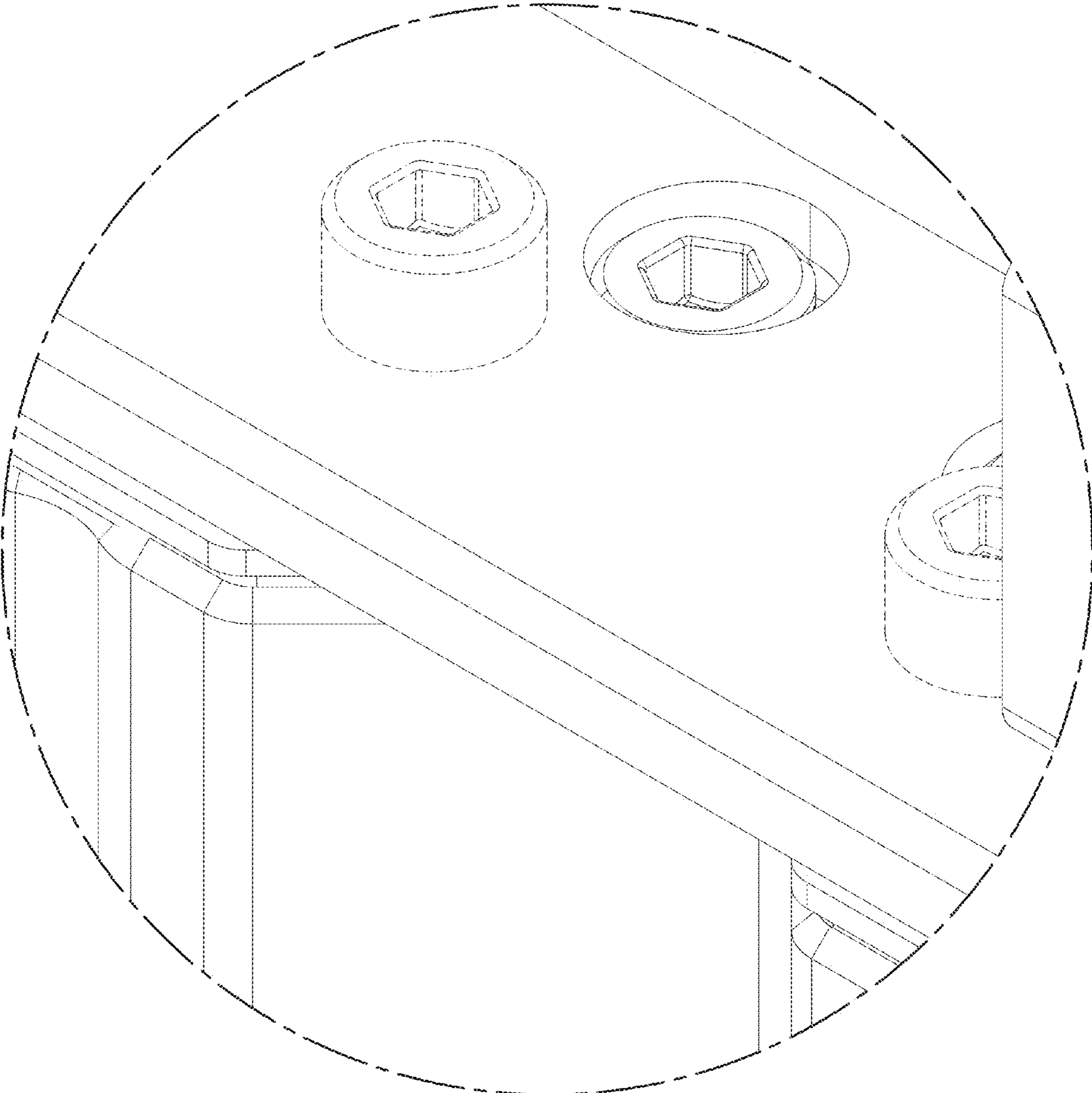


FIG. 10

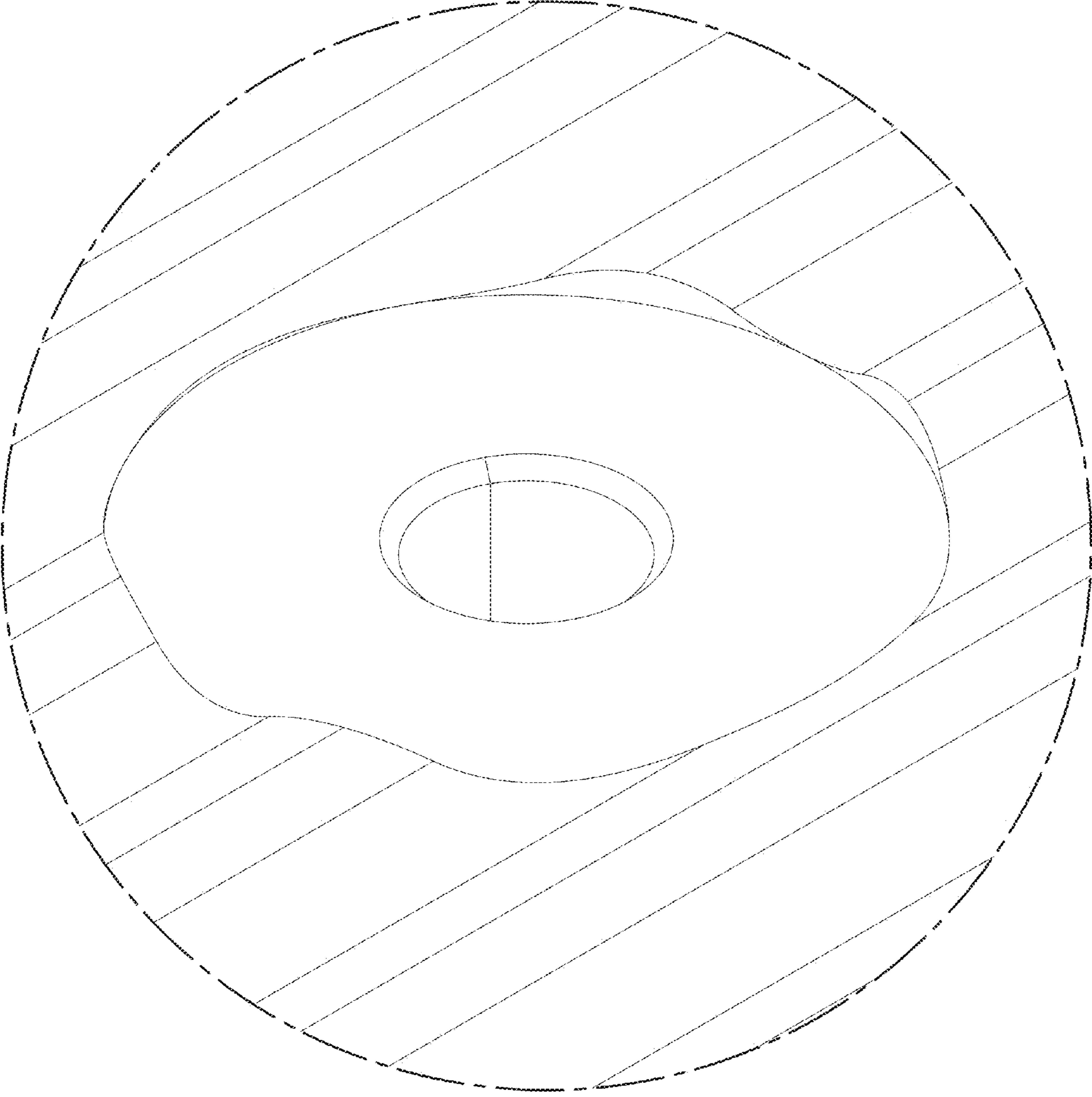


FIG. 11

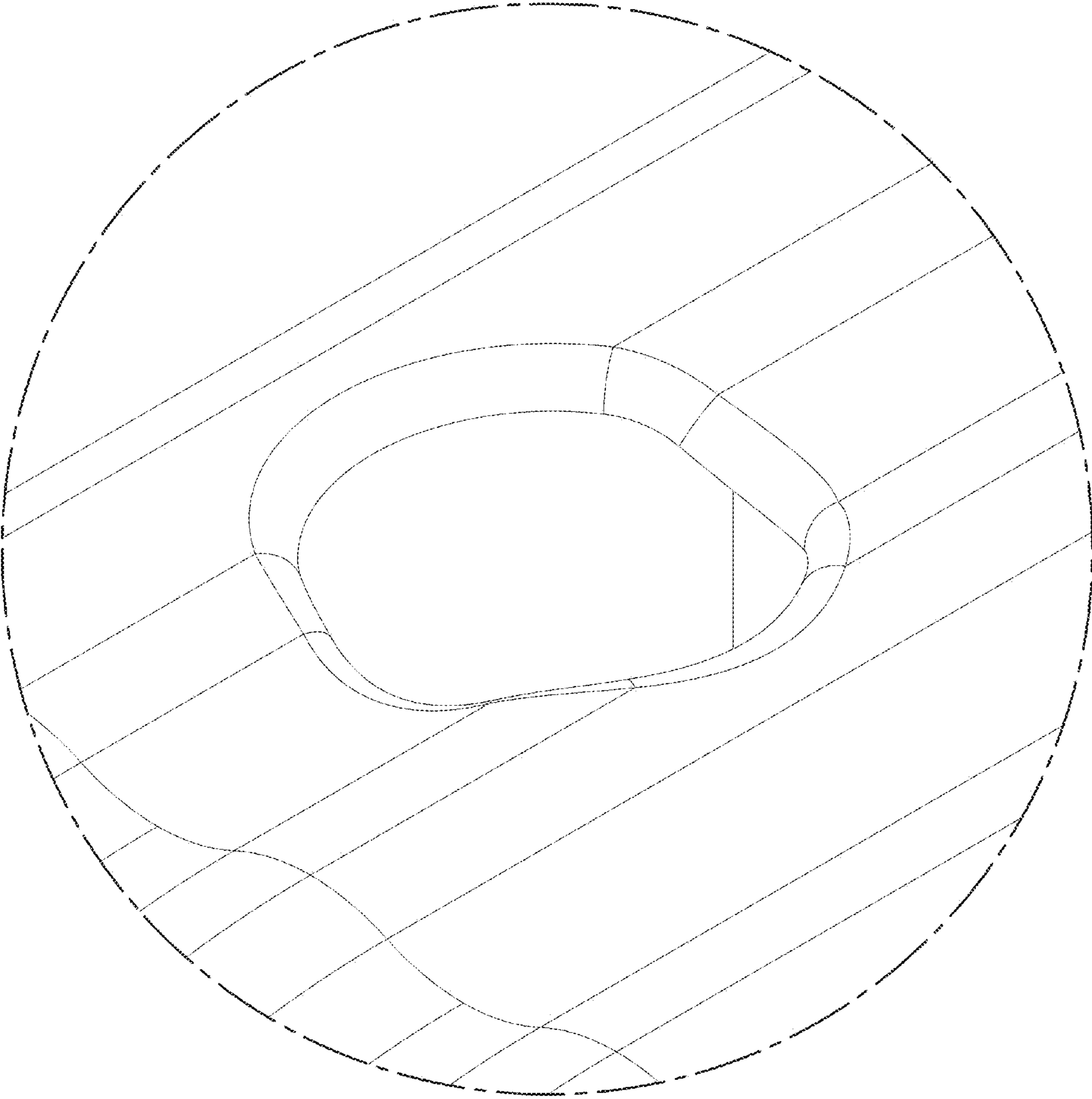


FIG. 12

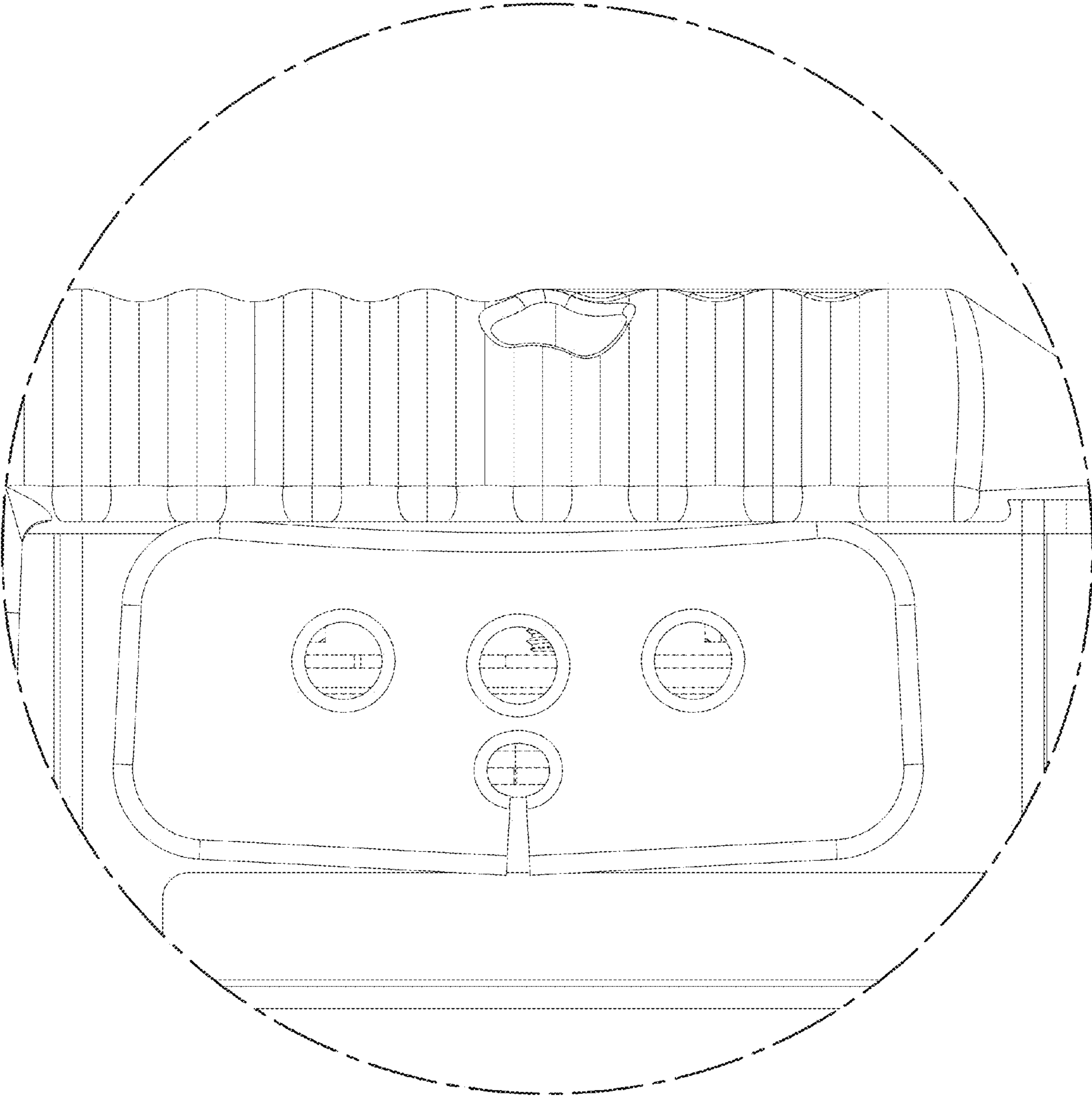


FIG. 13

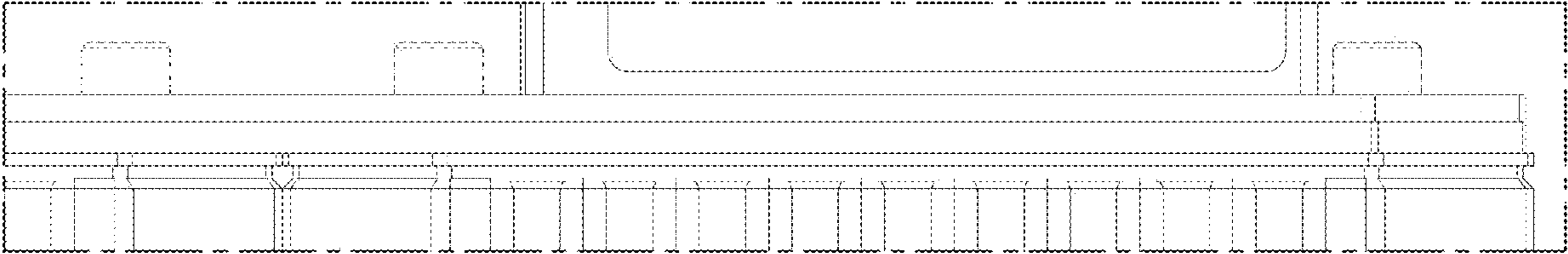


FIG. 14



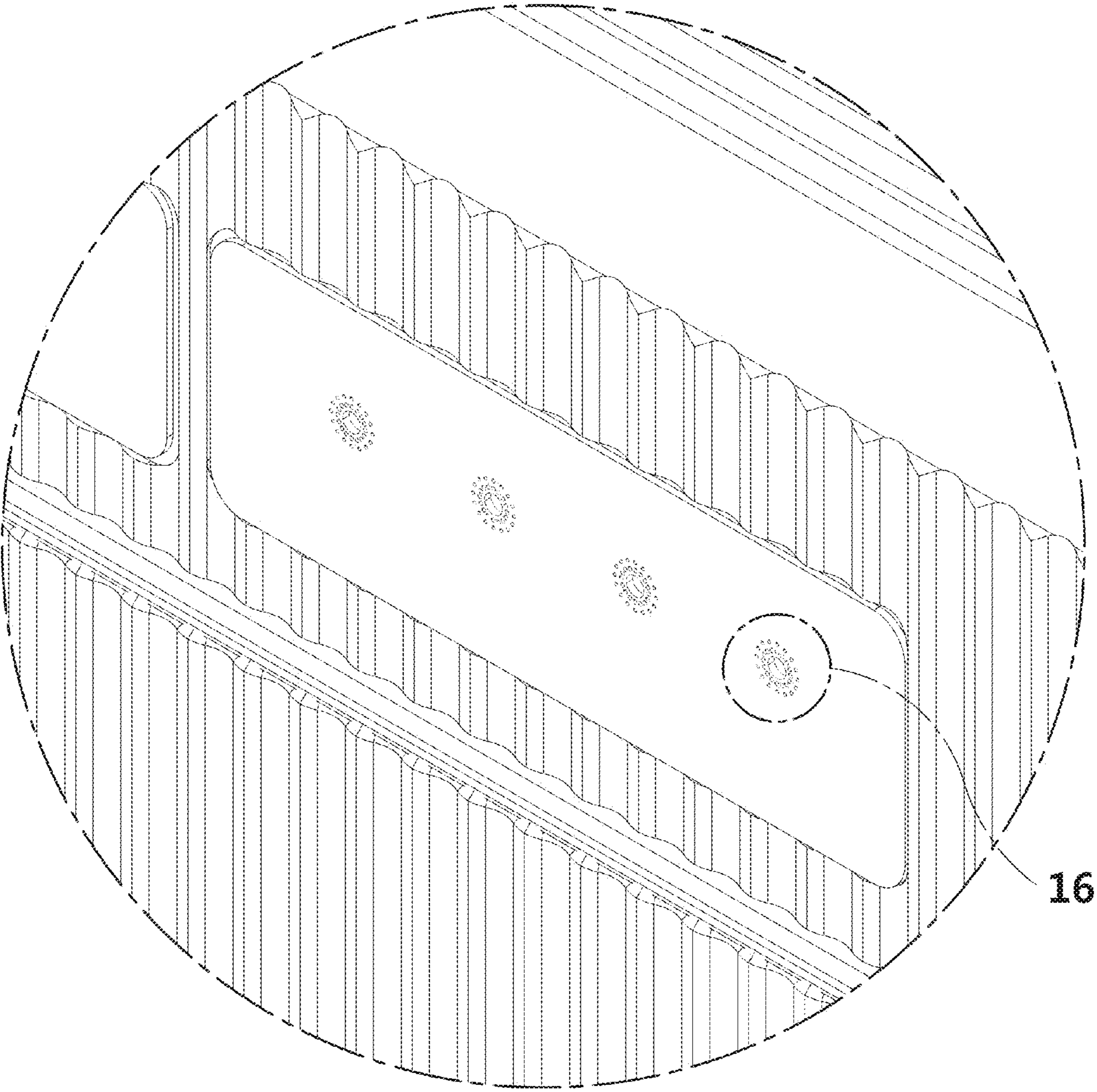


FIG. 15

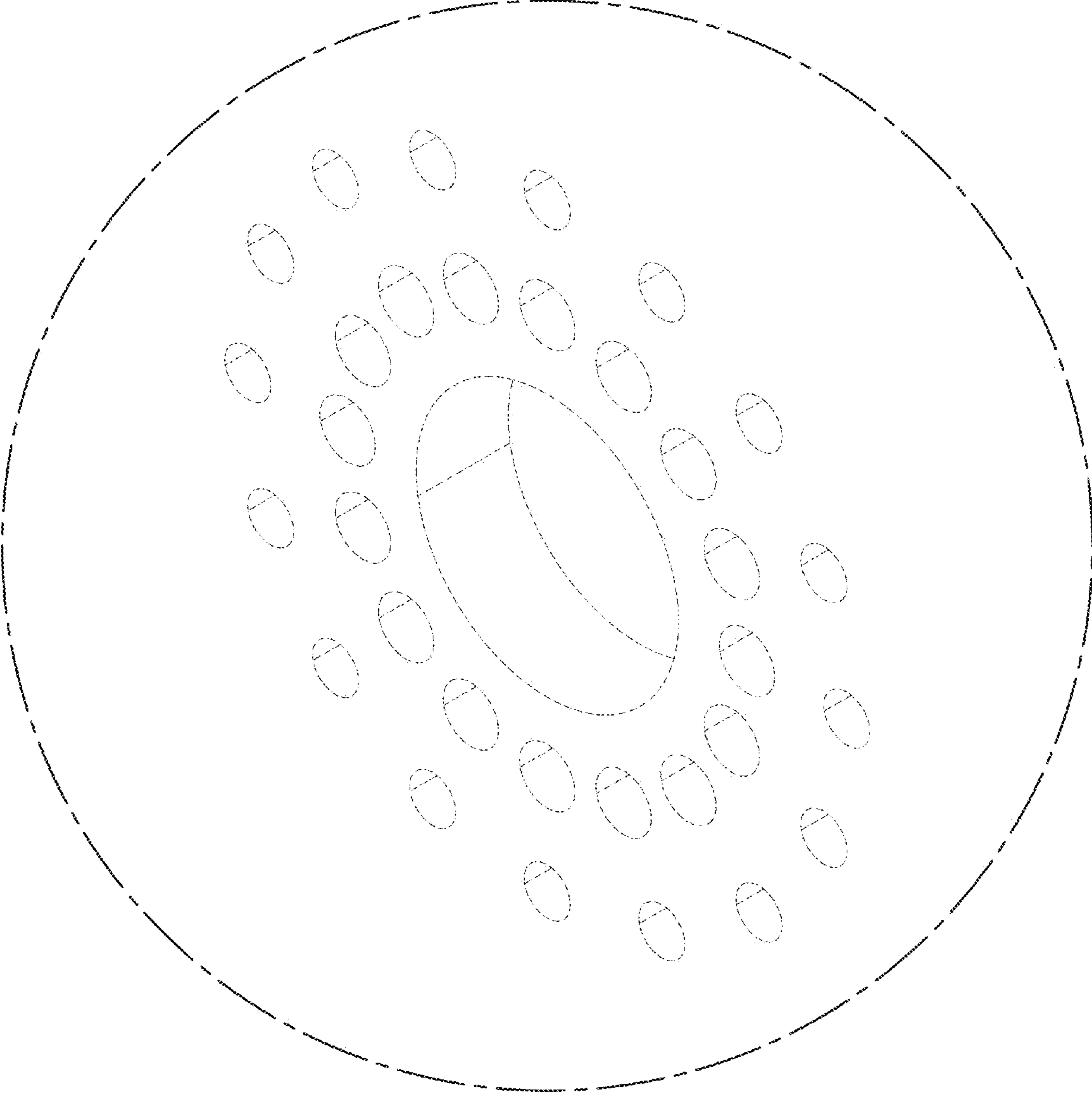


FIG. 16

UNITED STATES PATENT AND TRADEMARK OFFICE  
**CERTIFICATE OF CORRECTION**

PATENT NO. : D974,286 S  
APPLICATION NO. : 29/734533  
DATED : January 3, 2023  
INVENTOR(S) : Yeo-Joo Choi et al.

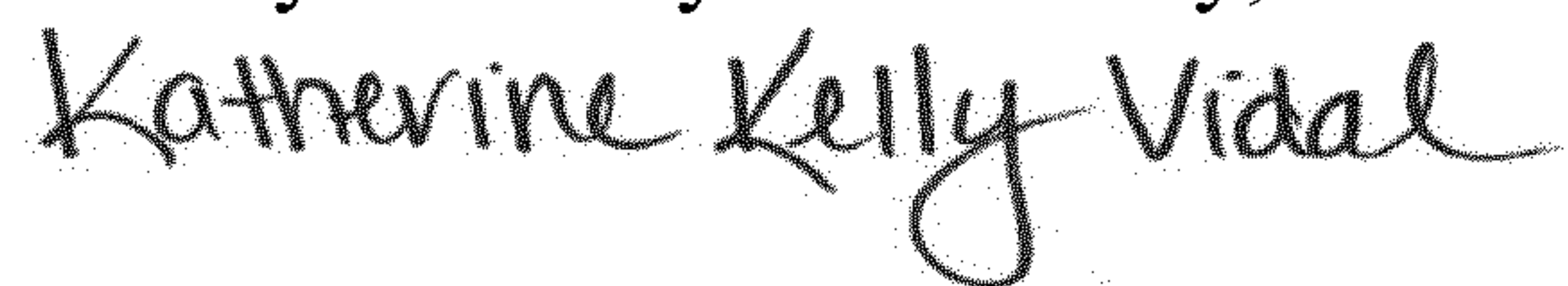
Page 1 of 1

It is certified that error appears in the above-identified patent and that said Letters Patent is hereby corrected as shown below:

On the Title Page

Item (72) Inventors: "Bum-Hyun Lee, Korea (KR)" should read "Bum-Hyun Lee, Daejeon (KR)"

Signed and Sealed this  
Twenty-first Day of February, 2023



Katherine Kelly Vidal  
*Director of the United States Patent and Trademark Office*