



US00D974285S

(12) **United States Design Patent**
Ogawa

(10) **Patent No.:** **US D974,285 S**
(45) **Date of Patent:** **** Jan. 3, 2023**

(54) **BATTERY**

(71) Applicant: **GS Yuasa International Ltd.**, Kyoto (JP)

(72) Inventor: **Yusuke Ogawa**, Kyoto (JP)

(73) Assignee: **GS YUASA INTERNATIONAL LTD.**, Kyoto (JP)

(**) Term: **15 Years**

(21) Appl. No.: **29/702,949**

(22) Filed: **Aug. 22, 2019**

(30) **Foreign Application Priority Data**

Feb. 27, 2019 (JP) 2019-004062

(51) **LOC (14) Cl.** **13-02**

(52) **U.S. Cl.**
USPC **D13/103**

(58) **Field of Classification Search**

USPC D13/102, 103, 107, 108, 110, 112, 113,
D13/118, 119, 184, 199; D11/221

CPC Y02T 10/7005; Y02T 10/705; Y02T
10/7088; H02J 7/025; H02J 7/0042; H02J
7/0044; H02J 7/0045; H02J 7/0003; H01F
38/14; H01M 2/02; H01M 2/022; H01M
2/0202; H01M 2/0207; H01M 2/0212;
H01M 2/1061; H01M 2/1022; H01M
2/1055; H01M 2/1066; H01M 2/105;
H01M 2/204; Y02E 60/12; Y02E 60/122;
Y02E 60/124; Y02E 60/50

See application file for complete search history.

(56) **References Cited**

U.S. PATENT DOCUMENTS

D644,176 S * 8/2011 Sato D13/119
D664,917 S * 8/2012 Taguchi D13/103

(Continued)

FOREIGN PATENT DOCUMENTS

JP 1400708 S 11/2010
JP 1413939 S 5/2011

(Continued)

OTHER PUBLICATIONS

Japanese Notice of Allowance, dated Sep. 20, 2019, in Japanese Application No. 2019-004062.

Primary Examiner — Christy Nemeth

(74) *Attorney, Agent, or Firm* — McGinn I.P. Law Group, PLLC.

(57) **CLAIM**

The ornamental design for a battery, as shown and described.

DESCRIPTION

FIG. 1 is a front perspective view of a battery showing the claimed design;

FIG. 2 is a front view thereof, the rear view being a mirror image thereof;

FIG. 3 is a top plan view thereof;

FIG. 4 is a bottom plan view thereof;

FIG. 5 is a right side view thereof, the left side view being the same;

FIG. 6 is an enlarged view of the portion between 6-6 and 6'-6' in FIG. 1;

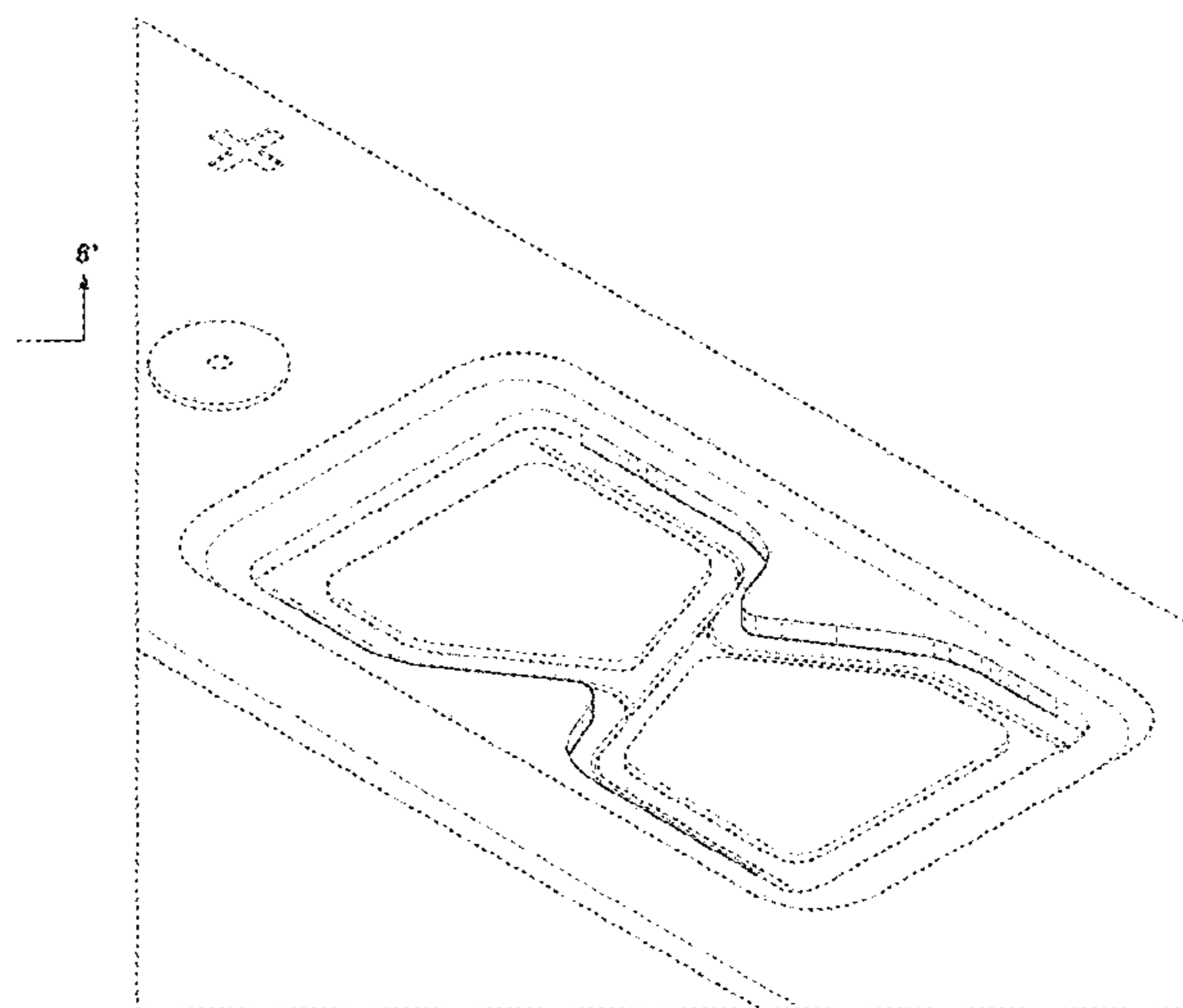
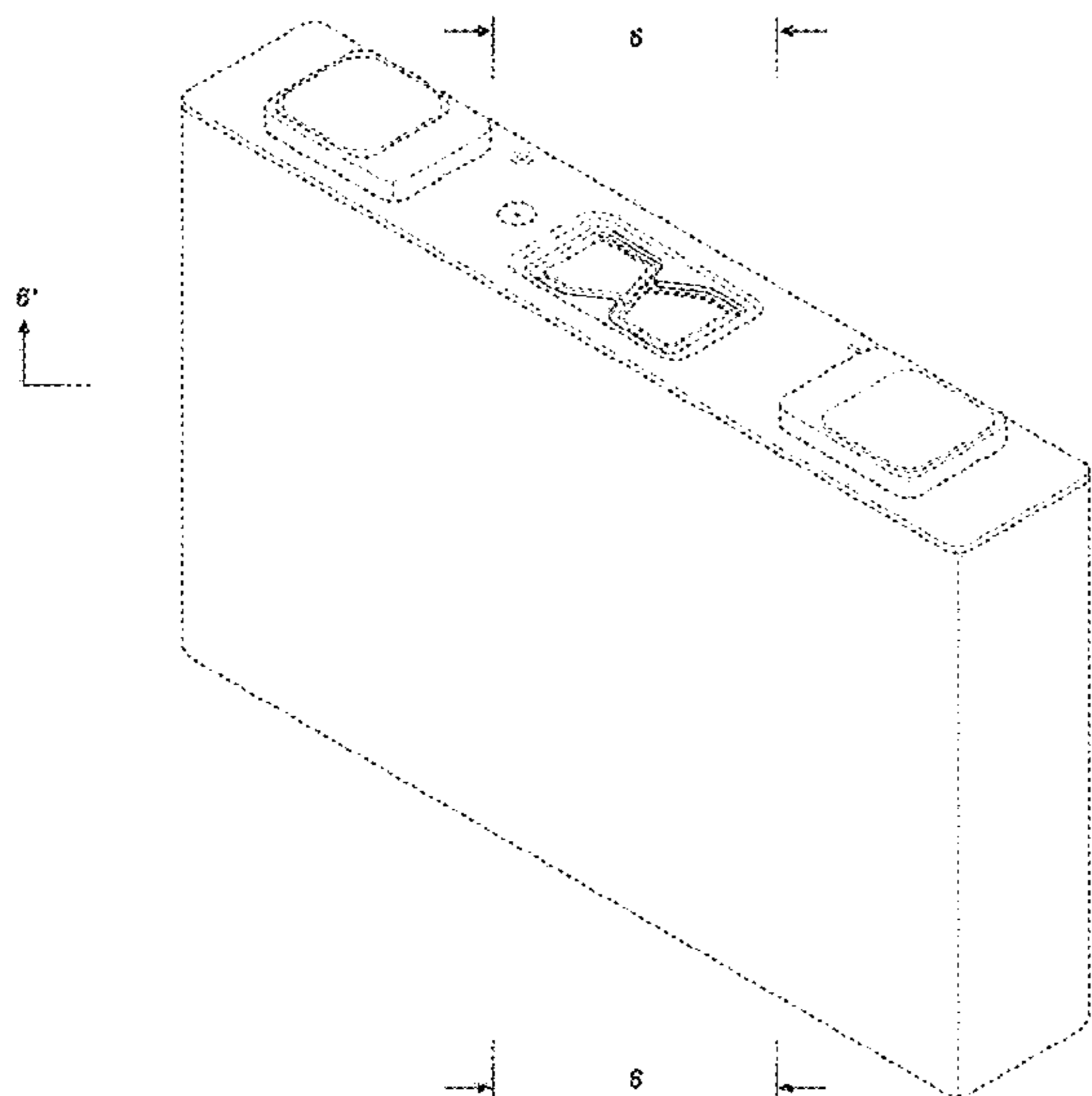
FIG. 7 is an enlarged view of the portion 7-7 in FIG. 3;

FIG. 8 is an enlarged cross-sectional view taken along line 8-8 in FIG. 7 to line 8'-8' in FIG. 2; and,

FIG. 9 is an enlarged cross-sectional view taken along line 9-9 in FIG. 7 to line 8'-8' in FIG. 2.

The dash-dash broken lines in the drawings are for the purpose of illustrating portions of the battery that form no part of the claimed design. The dot-dash broken lines adjacent to the shaded areas are for the purpose of illustrating boundaries and form no part of the claimed design.

1 Claim, 8 Drawing Sheets



(56)

References Cited

U.S. PATENT DOCUMENTS

D678,186 S * 3/2013 Horiuchi D13/103
D698,312 S * 1/2014 Miller D13/119
D704,625 S * 5/2014 Tsutsumi D13/103
D833,970 S * 11/2018 Schiff D13/107
D871,327 S * 12/2019 Nelson D13/108
D894,826 S * 9/2020 Fountain D13/103
D904,976 S * 12/2020 Stoermer D13/103
2019/0299332 A1* 10/2019 Ogawa H01M 50/169
2020/0395579 A1* 12/2020 Ichinohashi H01G 11/82
2020/0395582 A1* 12/2020 Ogawa H01M 50/3425

FOREIGN PATENT DOCUMENTS

JP 1413941 S 5/2011
JP 1486362 S 12/2013

* cited by examiner

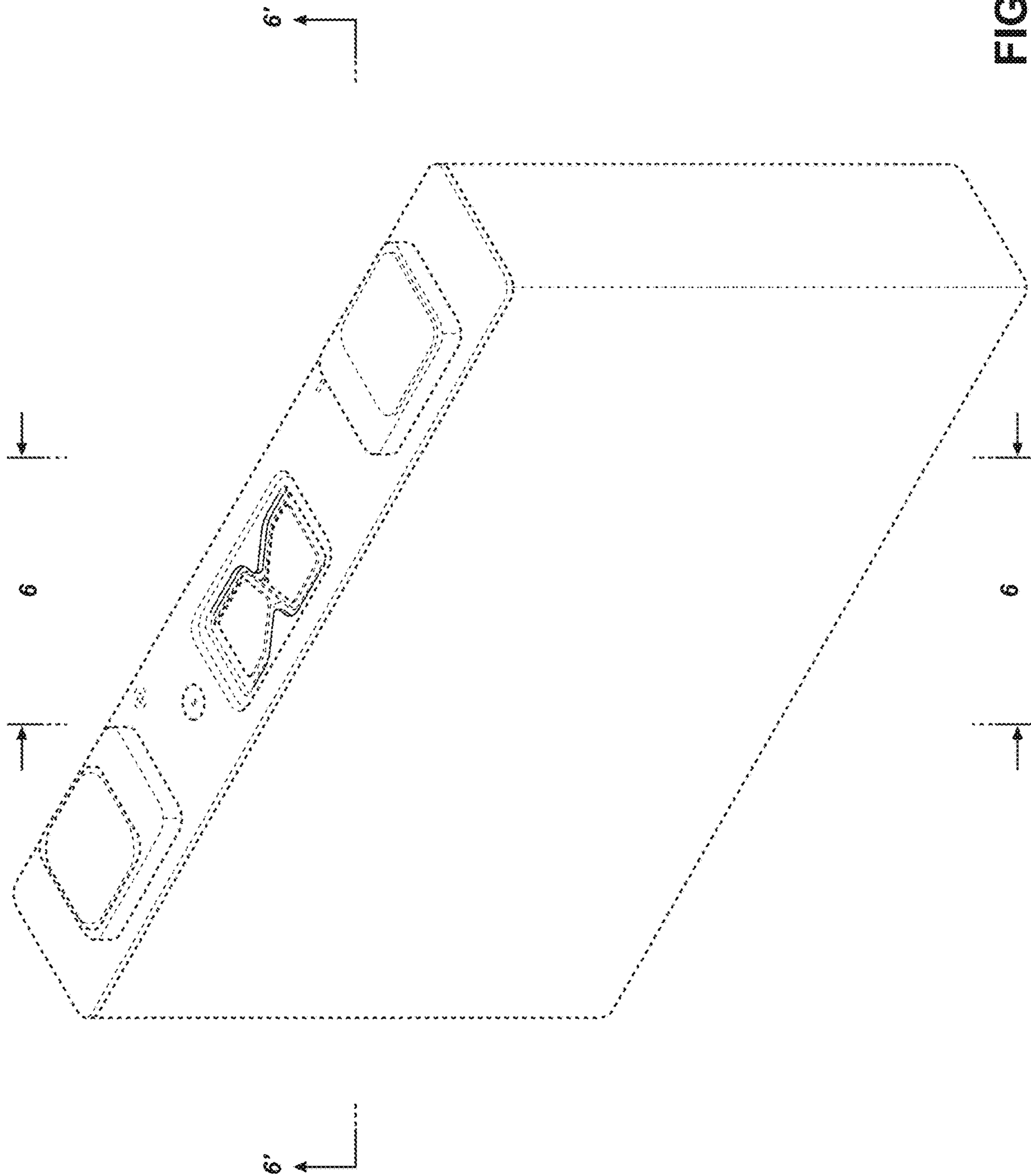


FIG. 1

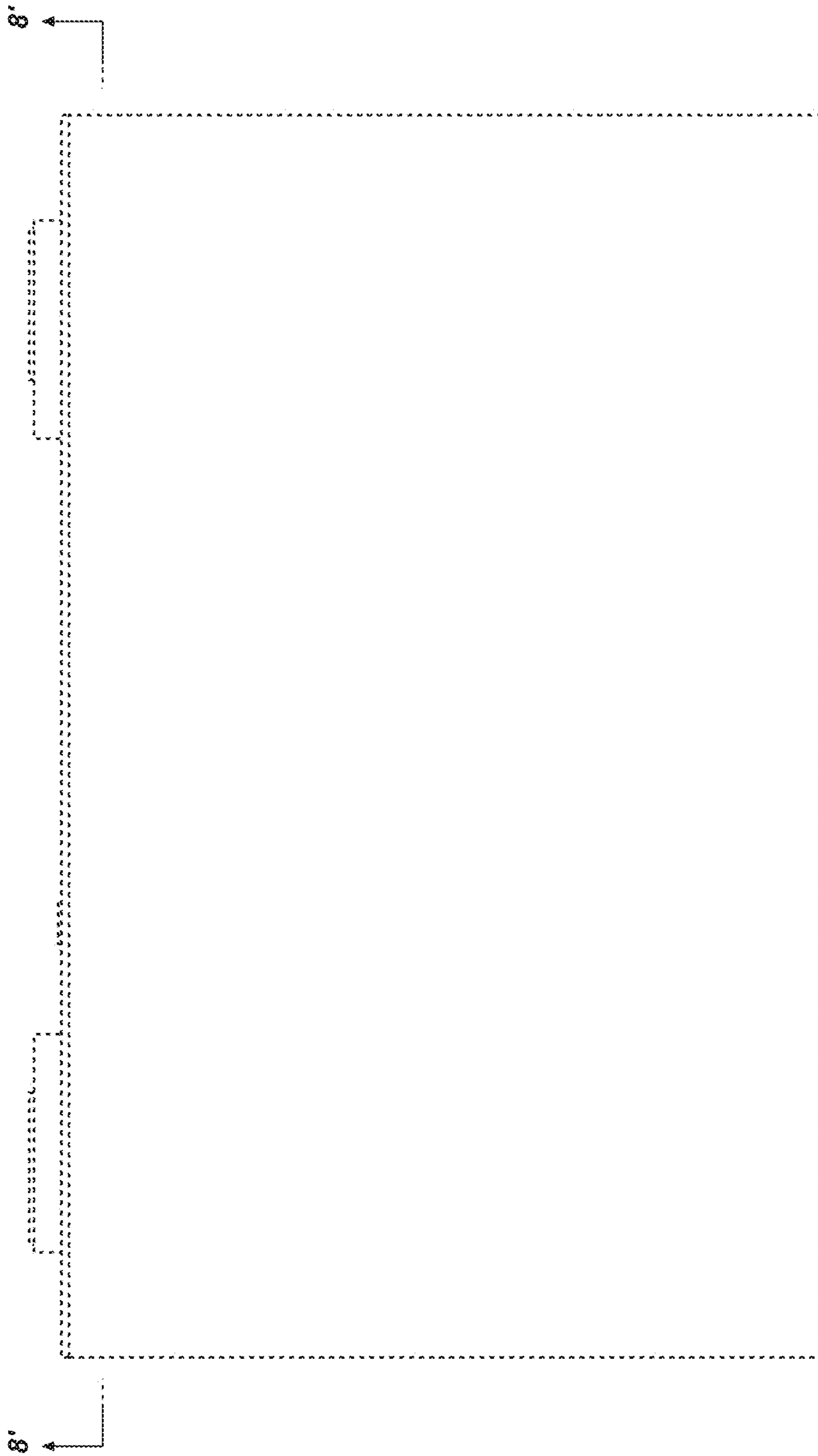


FIG. 2

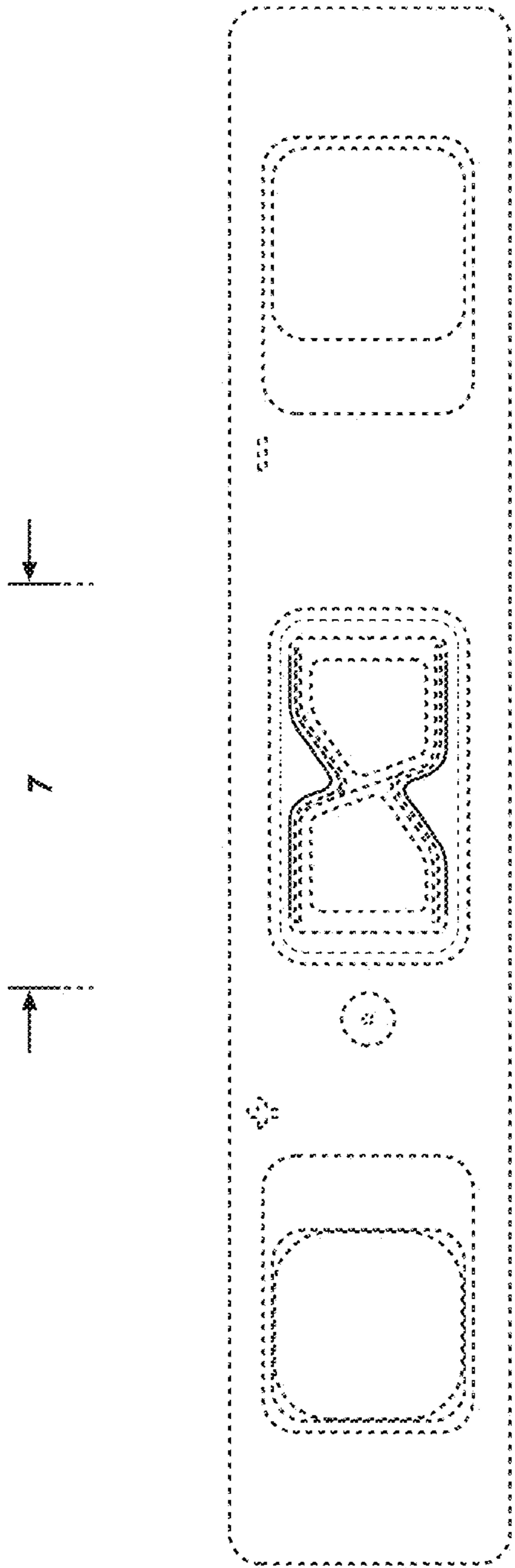


FIG. 3

FIG. 4



FIG. 5

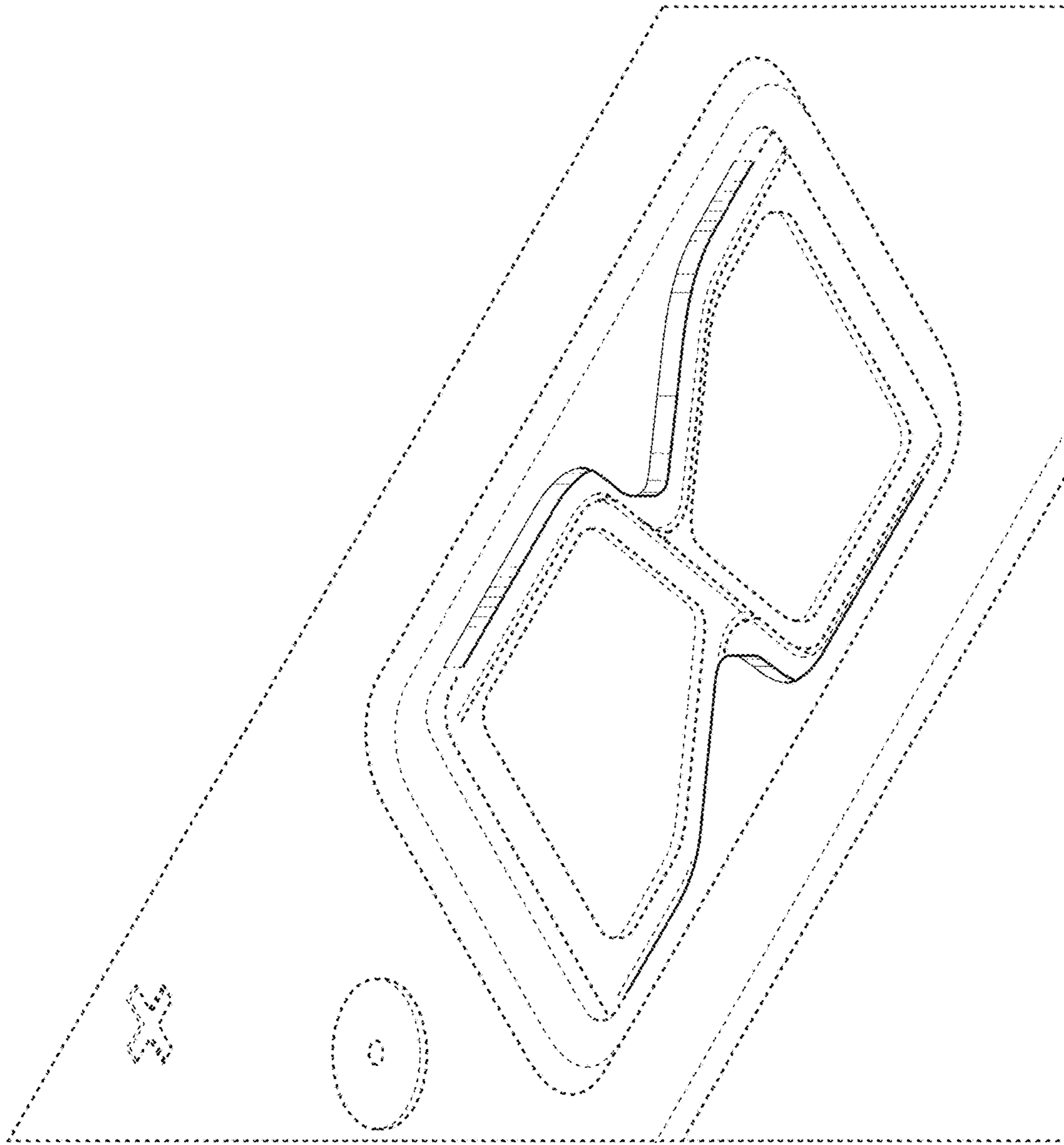


FIG. 6

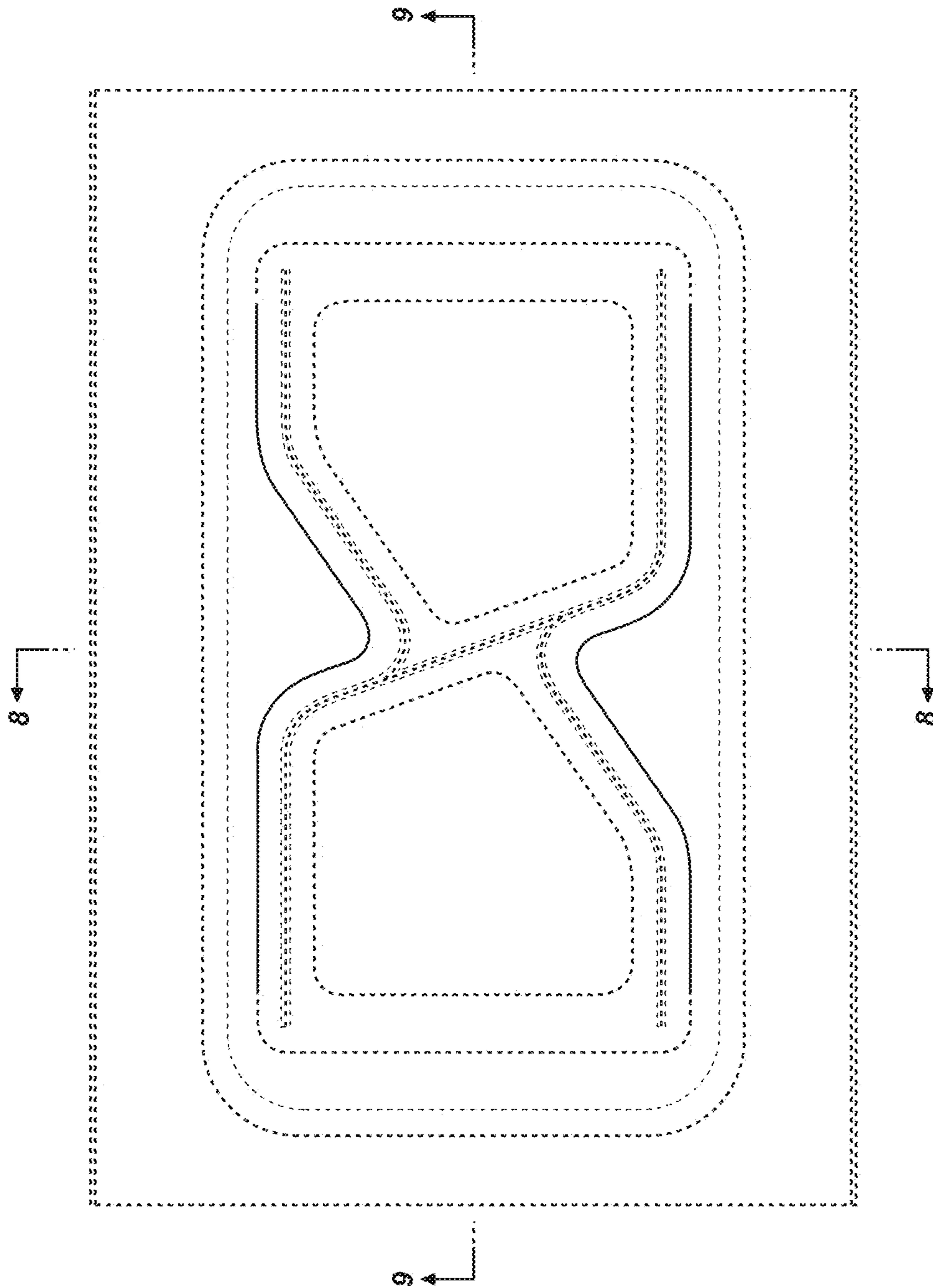


FIG. 7

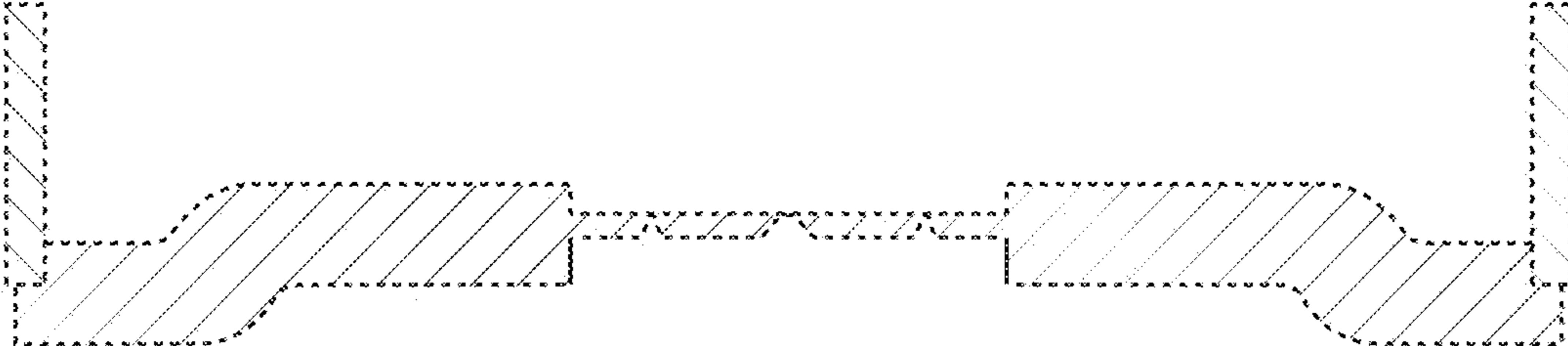


FIG. 8

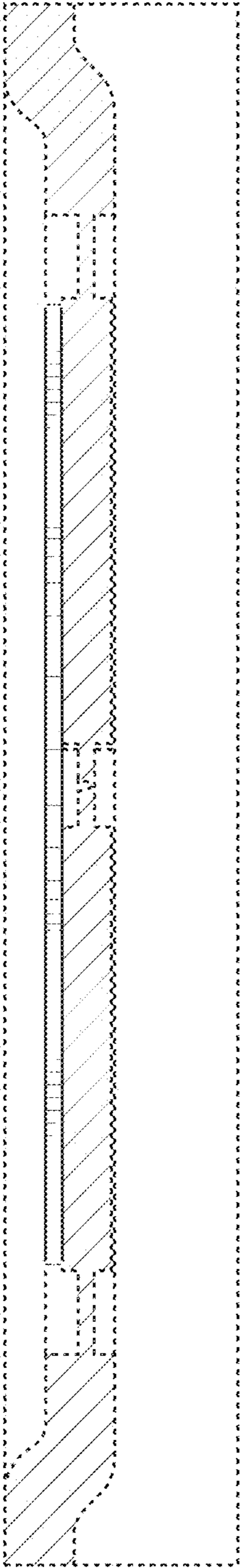


FIG. 9