



US00D974284S

(12) **United States Design Patent**
Kim et al.

(10) **Patent No.:** **US D974,284 S**
(45) **Date of Patent:** **** Jan. 3, 2023**

(54) **UPPER COVER FOR BATTERY MODULE**

(71) Applicant: **LG Chem, Ltd.**, Seoul (KR)

(72) Inventors: **Jeong-Hyeon Kim**, Daejeon (KR);
Do-Hyun Park, Daejeon (KR);
Jun-Yeob Seong, Daejeon (KR);
Jong-Ha Jeong, Daejeon (KR)

(73) Assignee: **LG Energy Solution, Ltd.**

(**) Term: **15 Years**

(21) Appl. No.: **29/696,219**

(22) Filed: **Jun. 26, 2019**

(30) **Foreign Application Priority Data**

Dec. 26, 2018 (KR) 30-2018-0061675

(51) **LOC (14) Cl.** **13-02**

(52) **U.S. Cl.**
USPC **D13/103**

(58) **Field of Classification Search**
USPC D13/102-110, 118, 119, 153, 154, 184,
D13/199, 122
CPC Y02E 60/10; Y02E 60/12; Y02E 60/122;
Y02E 60/124; Y02E 60/50; H01M 2/02;
H01M 2/022; H01M 2/0202; H01M
2/0207; H01M 2/0212; H01M 2/1061;
H01M 2/1022; H01M 2/1055; H01M
2/1066; H01M 2/105; H01M 2/20; H01M
2/202; H01M 2/204; H01M 2/206; H01M
2200/30;

(Continued)

(56) **References Cited**

U.S. PATENT DOCUMENTS

D479,192 S * 9/2003 Fujihara D13/103
D479,193 S * 9/2003 Fujihara D13/103

(Continued)

Primary Examiner — Christy Nemeth

(74) *Attorney, Agent, or Firm* — Lerner, David,
Littenberg, Krumholz & Mentlik, LLP

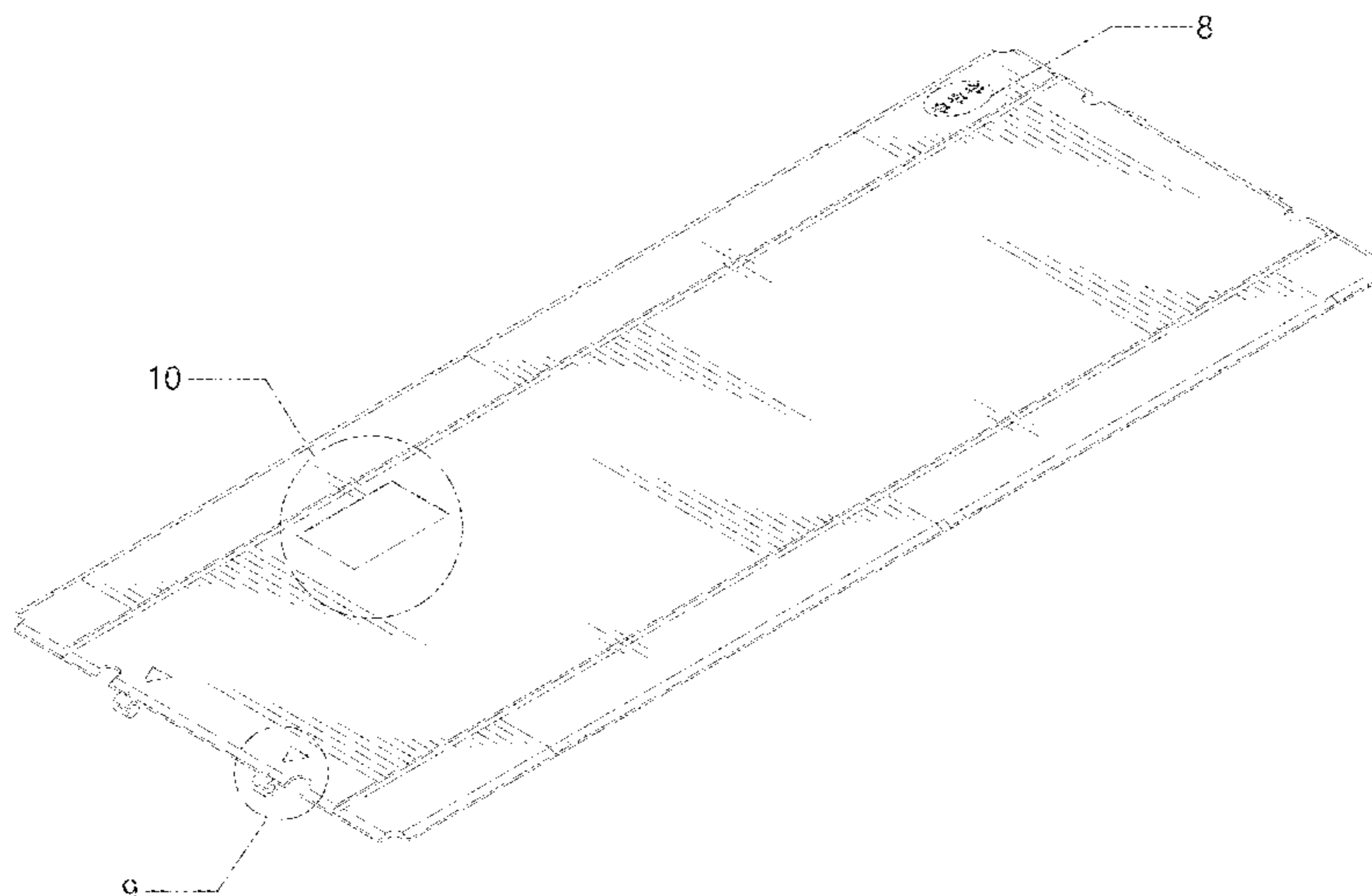
(57) **CLAIM**

The ornamental design for an upper cover for battery module, as shown and described.

DESCRIPTION

FIG. 1 is a front perspective view of an upper cover for battery module according to our design; FIG. 2 is an enlarged front view thereof; FIG. 3 is an enlarged rear view thereof; FIG. 4 is a left side view thereof; FIG. 5 is a right side view thereof; FIG. 6 is a top view thereof; and FIG. 7 is a bottom view thereof; and FIG. 8 is an enlarged view of encircled portion “8” shown in FIG. 1; FIG. 9 is an enlarged view of encircled portion “9” shown in FIG. 1; FIG. 10 is an enlarged view of encircled portion “10” shown in FIG. 1; FIG. 11 is an enlarged view of encircled portion “11” shown in FIG. 2; FIG. 12 is an enlarged view of encircled portion “12” shown in FIG. 3; FIG. 13 is an enlarged view of encircled portion “13” shown in FIG. 4; FIG. 14 is an enlarged view of encircled portion “14” shown in FIG. 5; FIG. 15 is an enlarged view of encircled portion “15” shown in FIG. 6; and, FIG. 16 is an enlarged view of encircled portion “16” shown in FIG. 7.
The dash-dash broken lines in the drawings are for the purpose of illustrating portions of the article that form no part of the claimed design. The short dash-dot broken lines are for the purpose of illustrating the boundaries of the portions shown enlarged in the views. None of the broken lines form part of the claim.

1 Claim, 16 Drawing Sheets



(58) **Field of Classification Search**

CPC H01M 2250/30; H01M 2250/40; H01M
 10/44; H01M 10/46; H01M 10/465;
 H01M 10/482; H01M 10/4257; H01M
 10/0436; H01M 10/48; H01M 10/6235;
 H02J 7/0034; H02J 7/0054; H02J 7/1423;
 H02J 7/00; H02J 7/0003; H02J 7/0011;
 H02J 7/0013; H02J 7/0055; H02J 7/0057;
 Y02T 10/7005; Y02T 10/705; Y02T
 10/7088

See application file for complete search history.

(56) **References Cited**

U.S. PATENT DOCUMENTS

| | | | | | |
|--------------|------|---------|---------------|-------|--------------|
| D684,531 | S * | 6/2013 | Moon | | D13/103 |
| D684,532 | S * | 6/2013 | Ignor | | D13/103 |
| D719,505 | S * | 12/2014 | Kim | | D13/108 |
| D758,961 | S * | 6/2016 | Aoyagi | | D13/103 |
| D789,340 | S * | 6/2017 | Lee | | D14/248 |
| D806,015 | S * | 12/2017 | Park | | D13/103 |
| D810,011 | S * | 2/2018 | Nelson | | H01M 50/183 |
| | | | | | D13/103 |
| D859,304 | S * | 9/2019 | Wang | | D13/102 |
| D877,059 | S * | 3/2020 | Osborn | | D13/102 |
| D883,204 | S * | 5/2020 | Narayana Bhat | | D13/108 |
| D910,545 | S * | 2/2021 | Dinh | | D13/103 |
| D914,590 | S * | 3/2021 | Osborn | | D13/102 |
| D929,318 | S * | 8/2021 | Browning | | D13/103 |
| D941,233 | S * | 1/2022 | Zhou | | D13/102 |
| 2016/0056515 | A1 * | 2/2016 | Nam | | H01M 10/613 |
| | | | | | 429/185 |
| 2016/0149277 | A1 * | 5/2016 | Kim | | H01M 10/6554 |
| | | | | | 429/100 |
| 2021/0119309 | A1 * | 4/2021 | Jeong | | H01M 10/486 |
| 2021/0151804 | A1 * | 5/2021 | You | | H05K 1/028 |

* cited by examiner

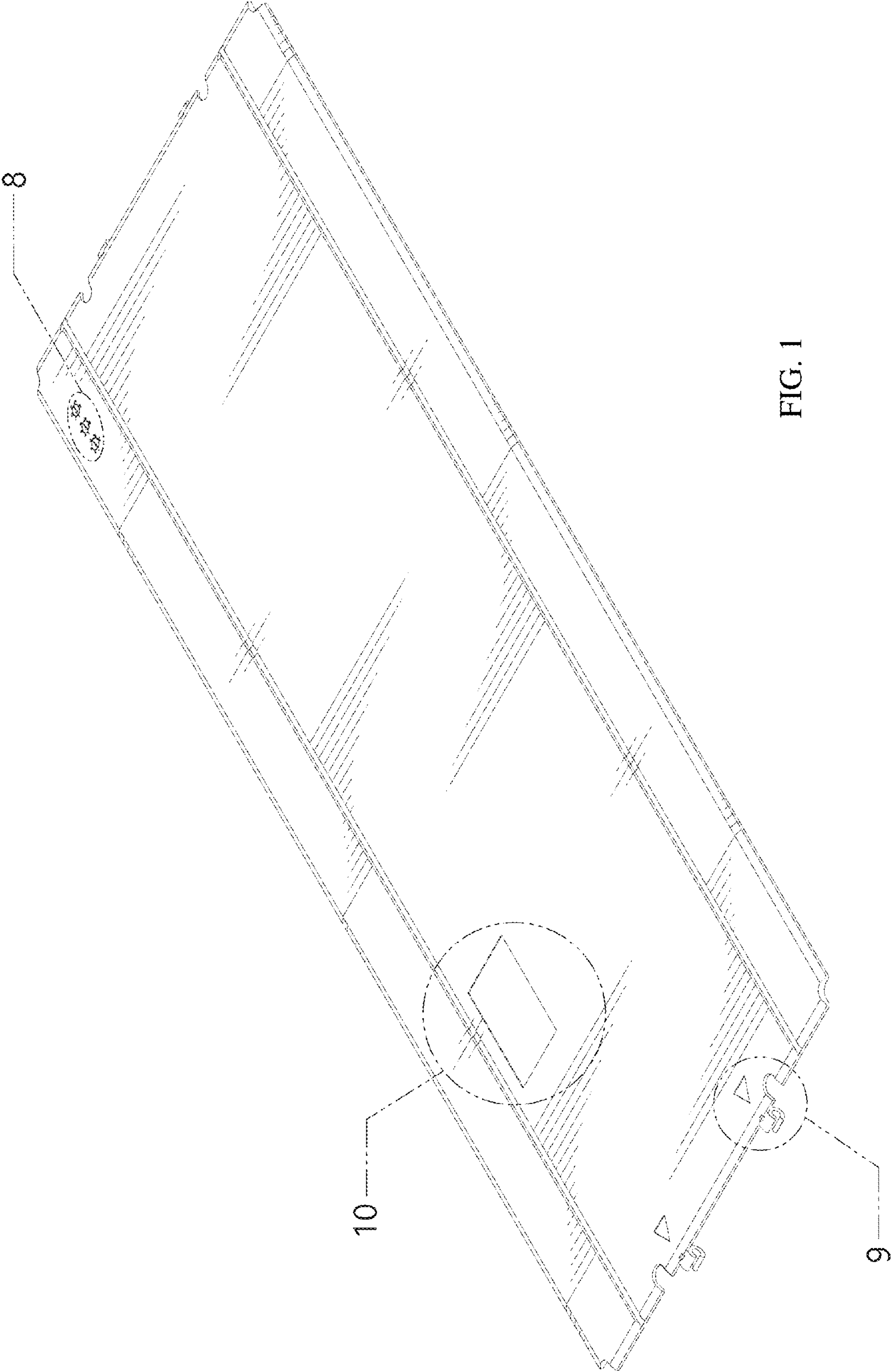


FIG. 1

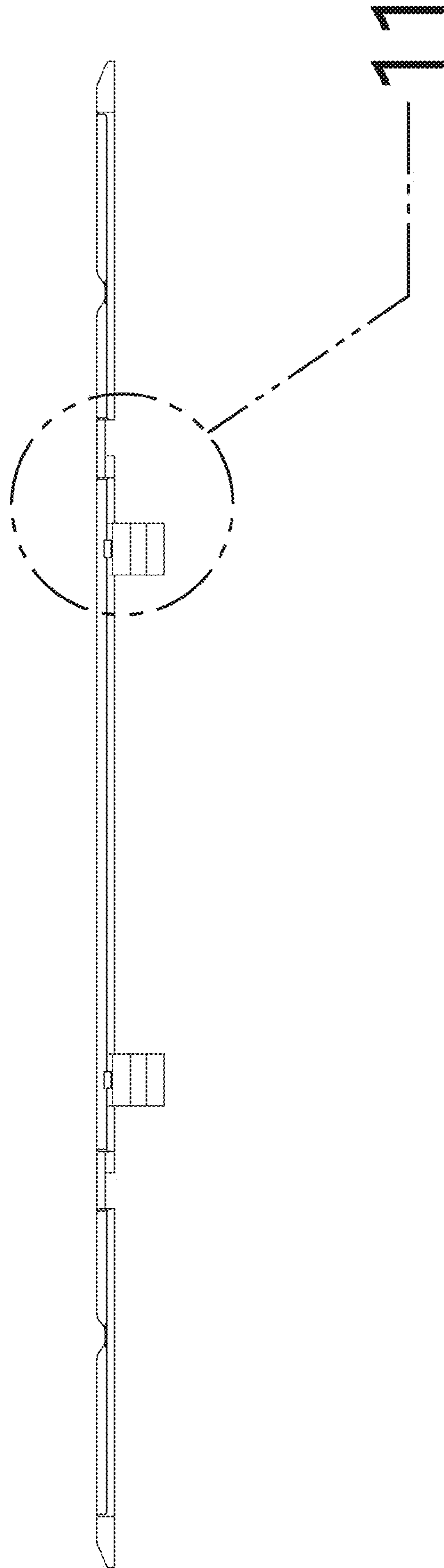


FIG. 2

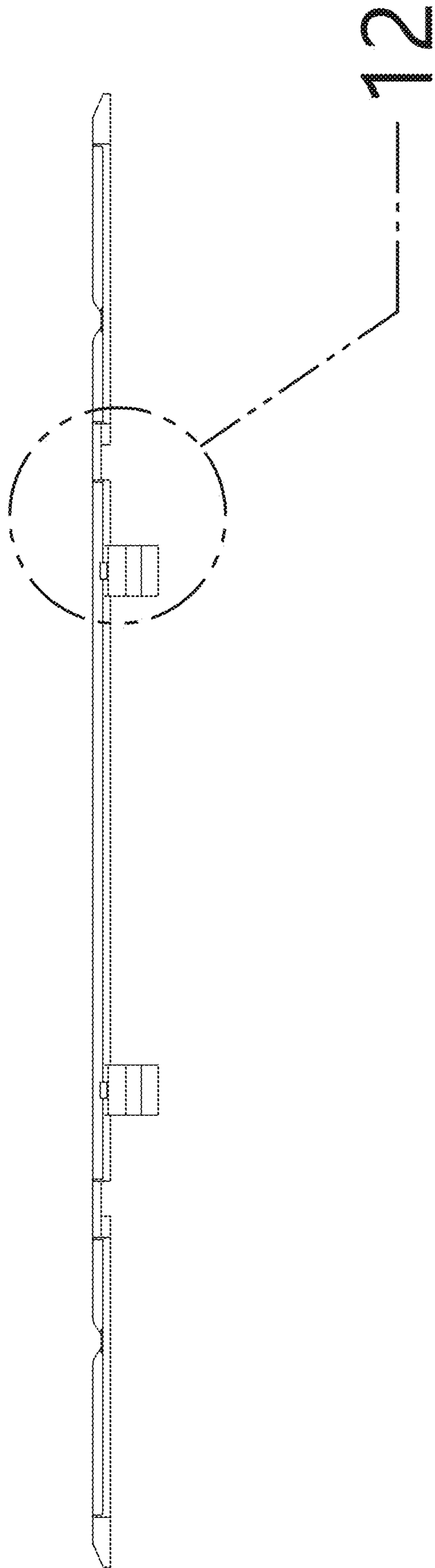


FIG. 3

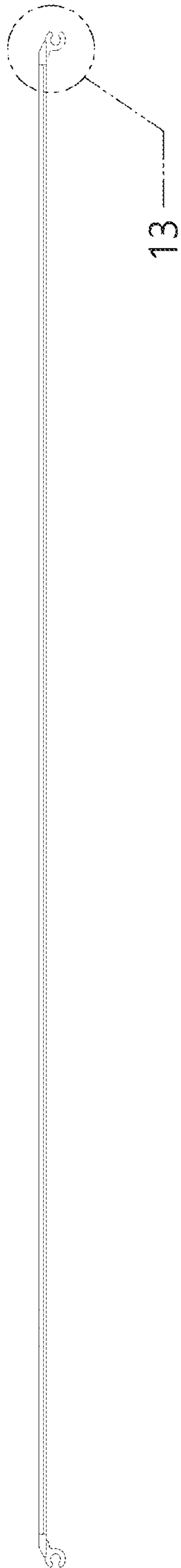


FIG. 4

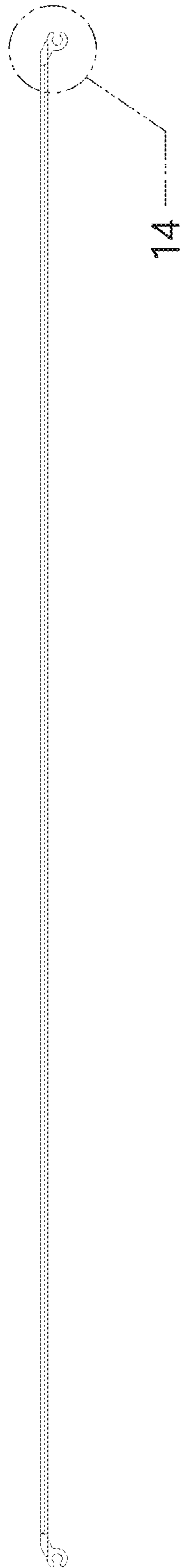


FIG. 5

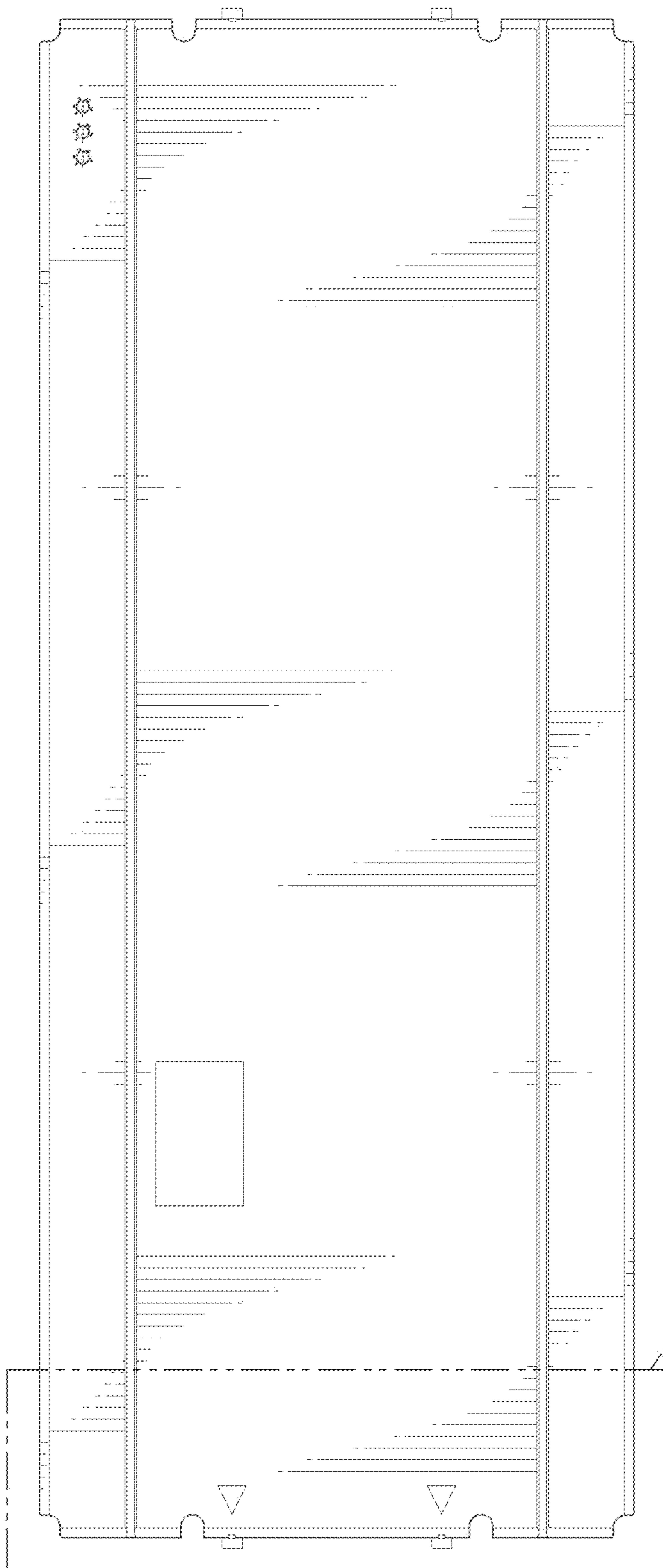


FIG. 6

15

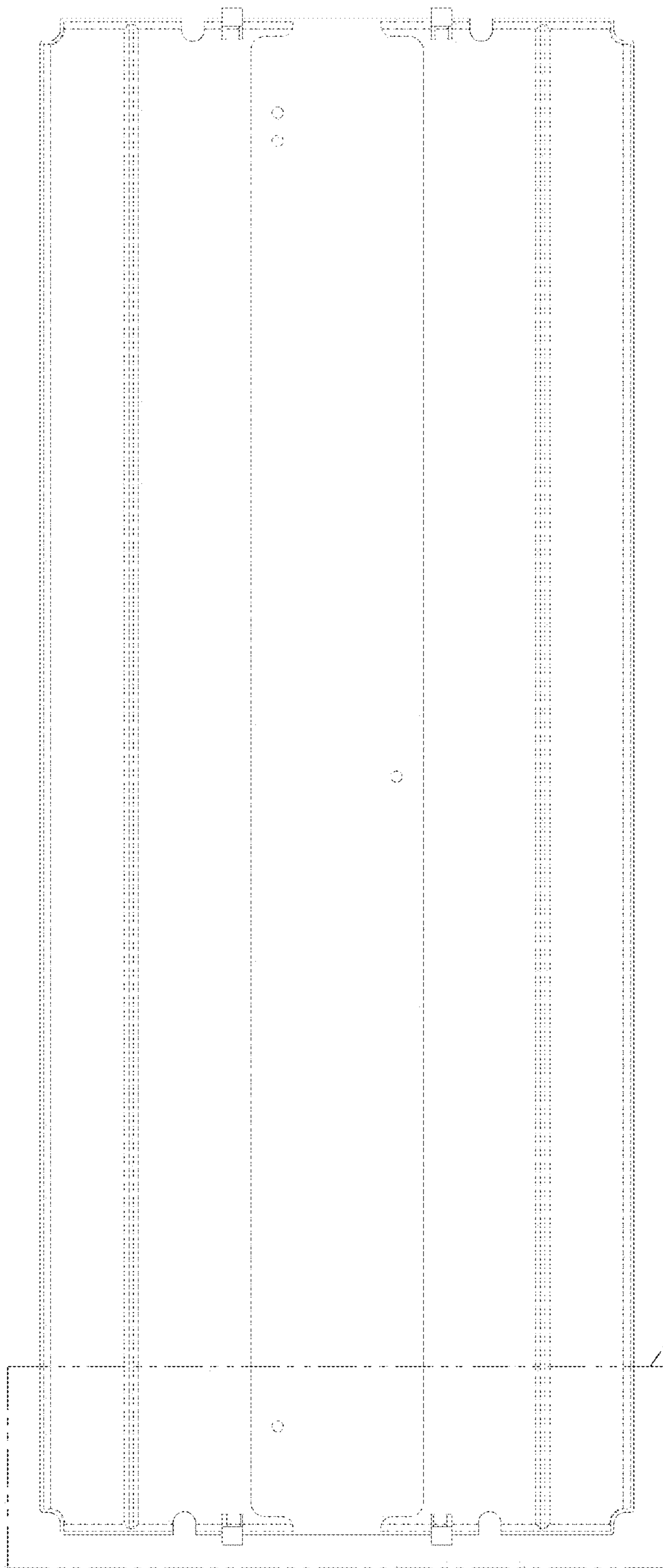


FIG. 7

16

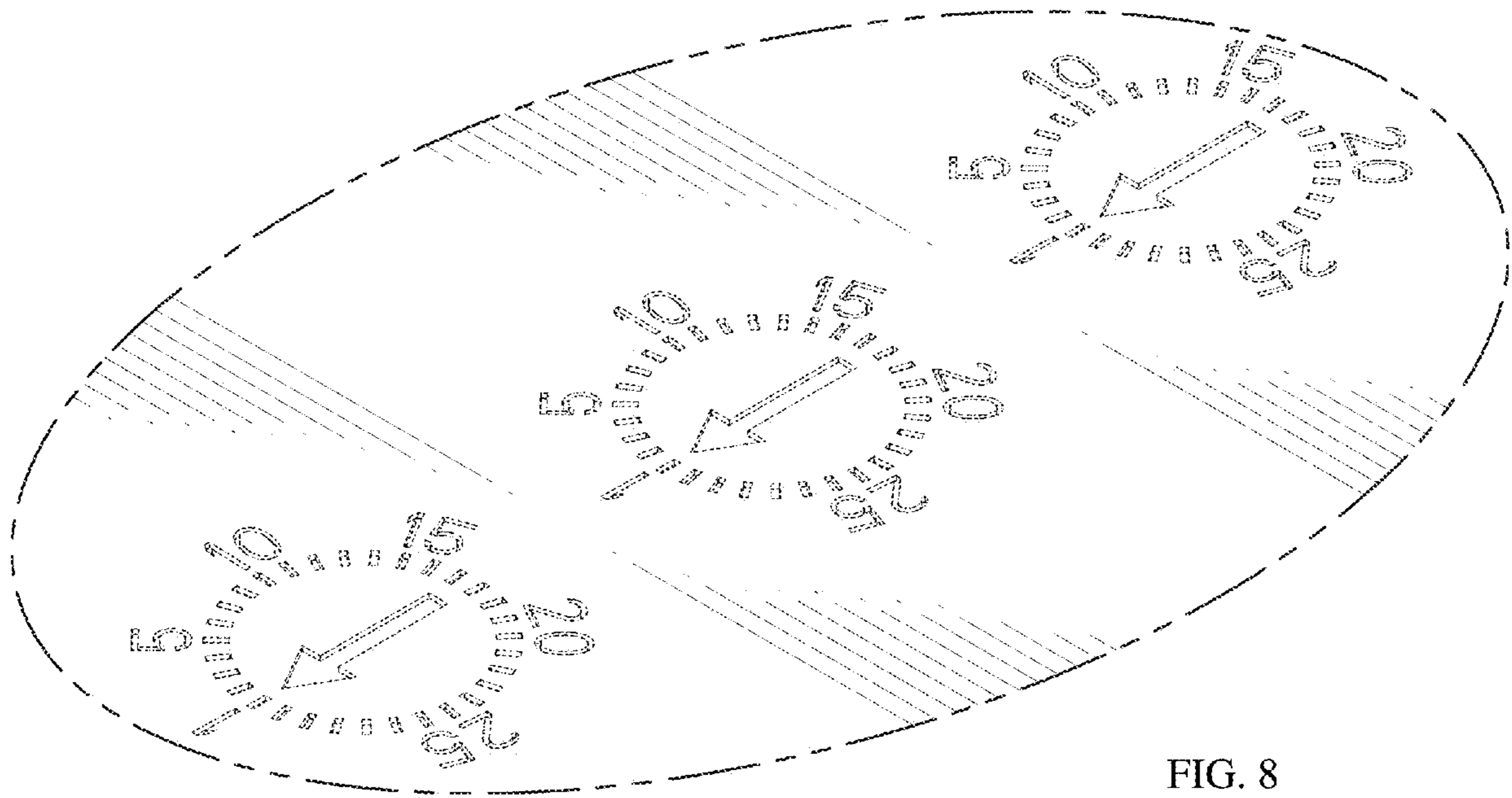


FIG. 8

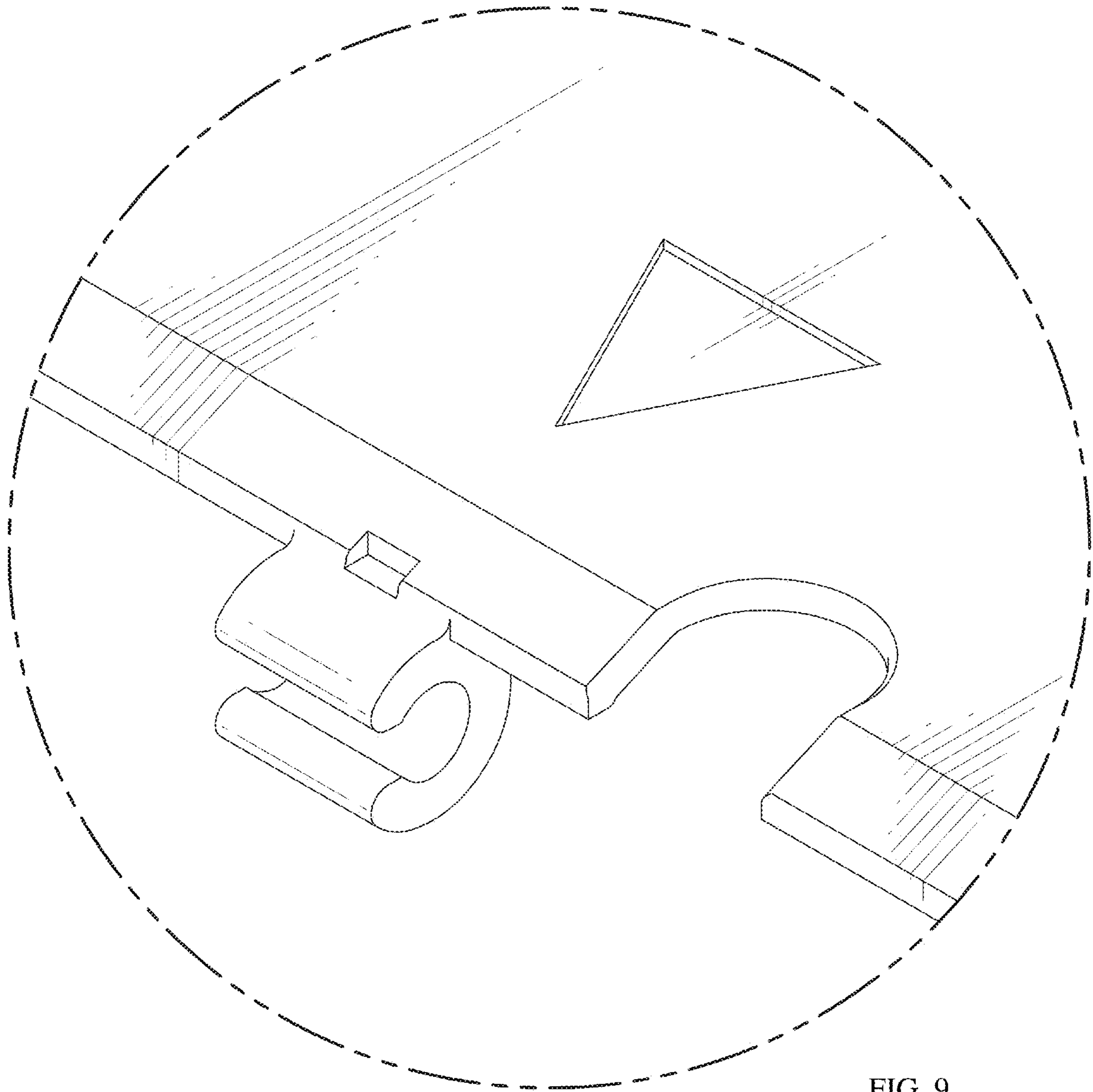


FIG. 9

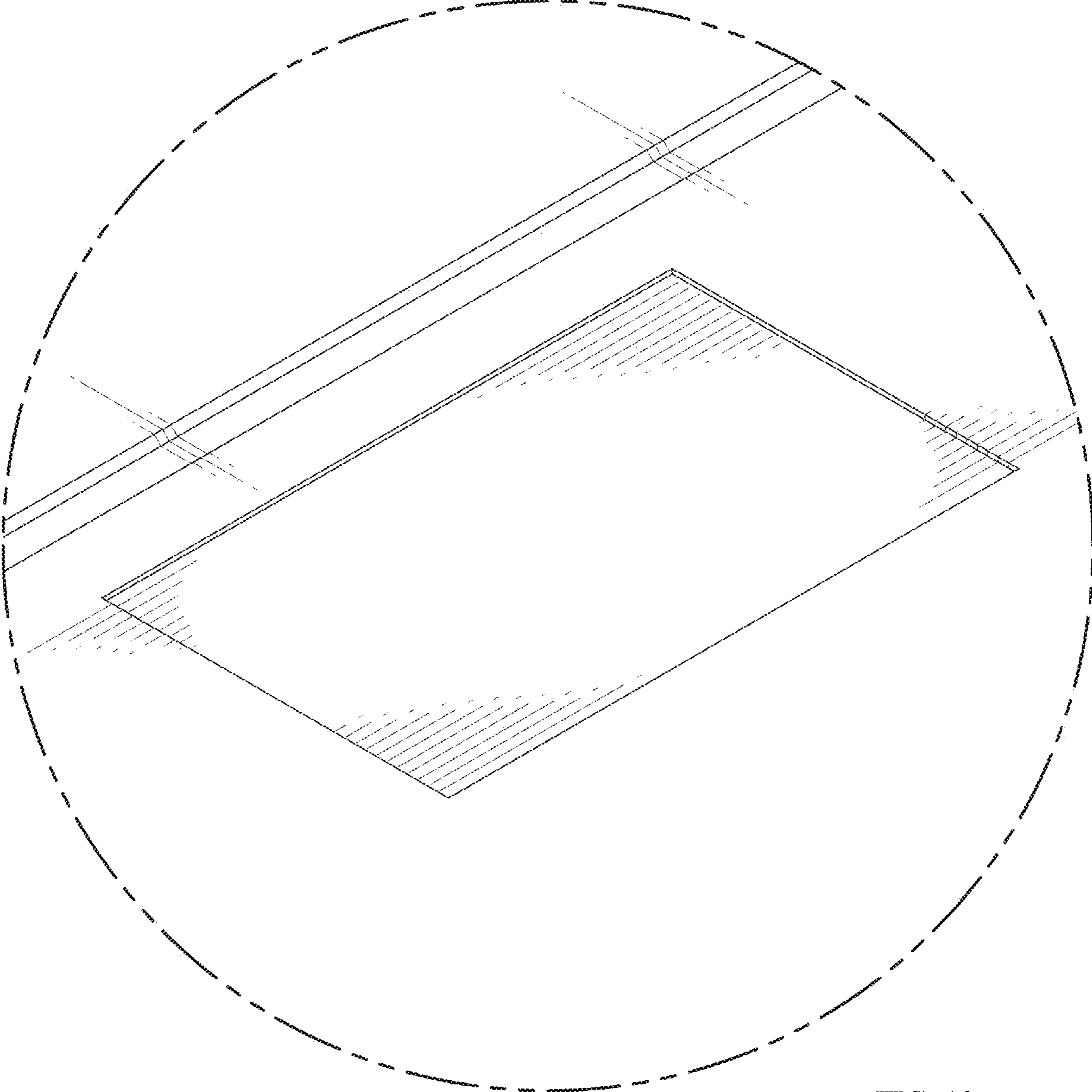


FIG. 10

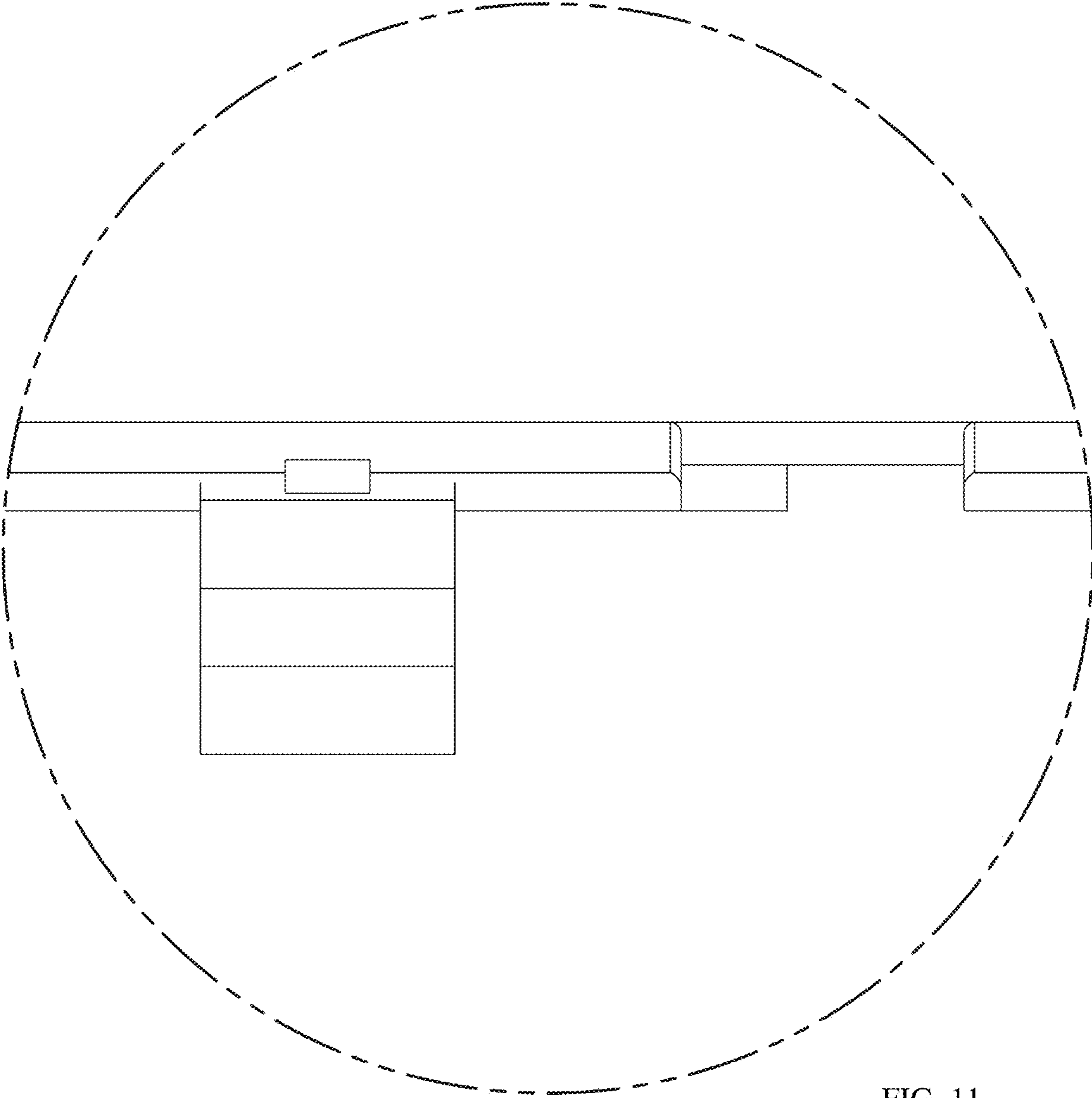


FIG. 11

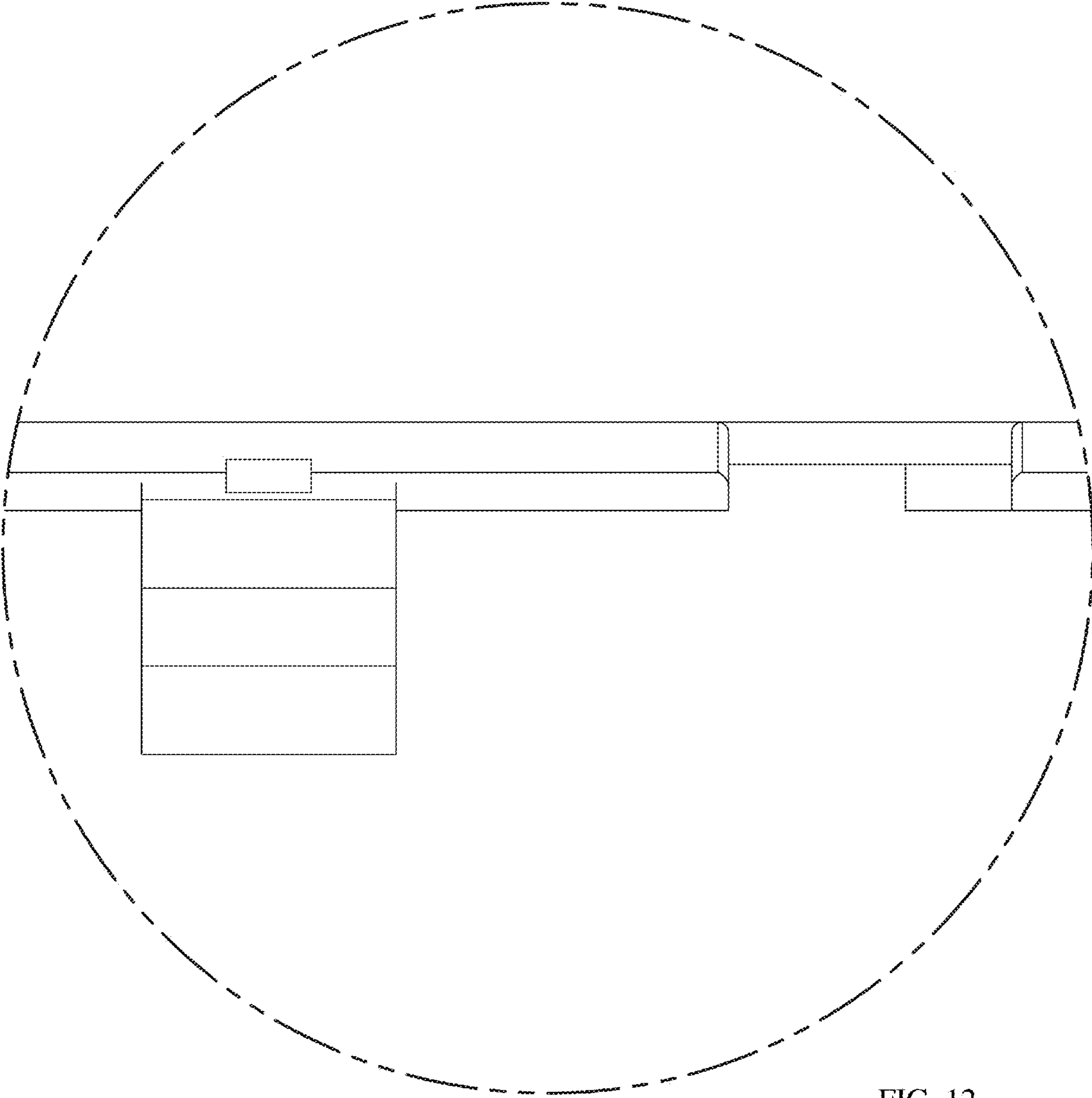


FIG. 12

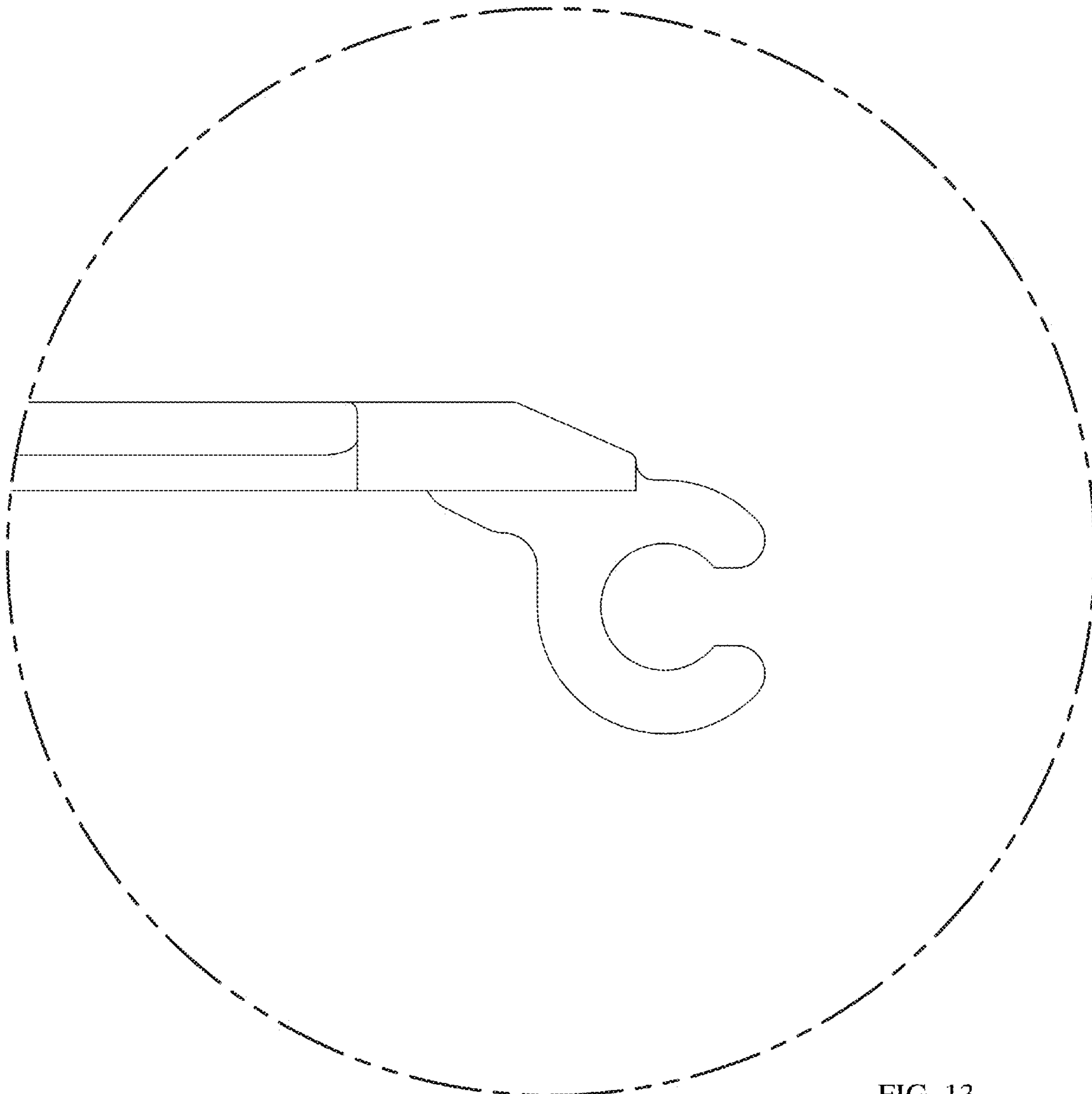


FIG. 13

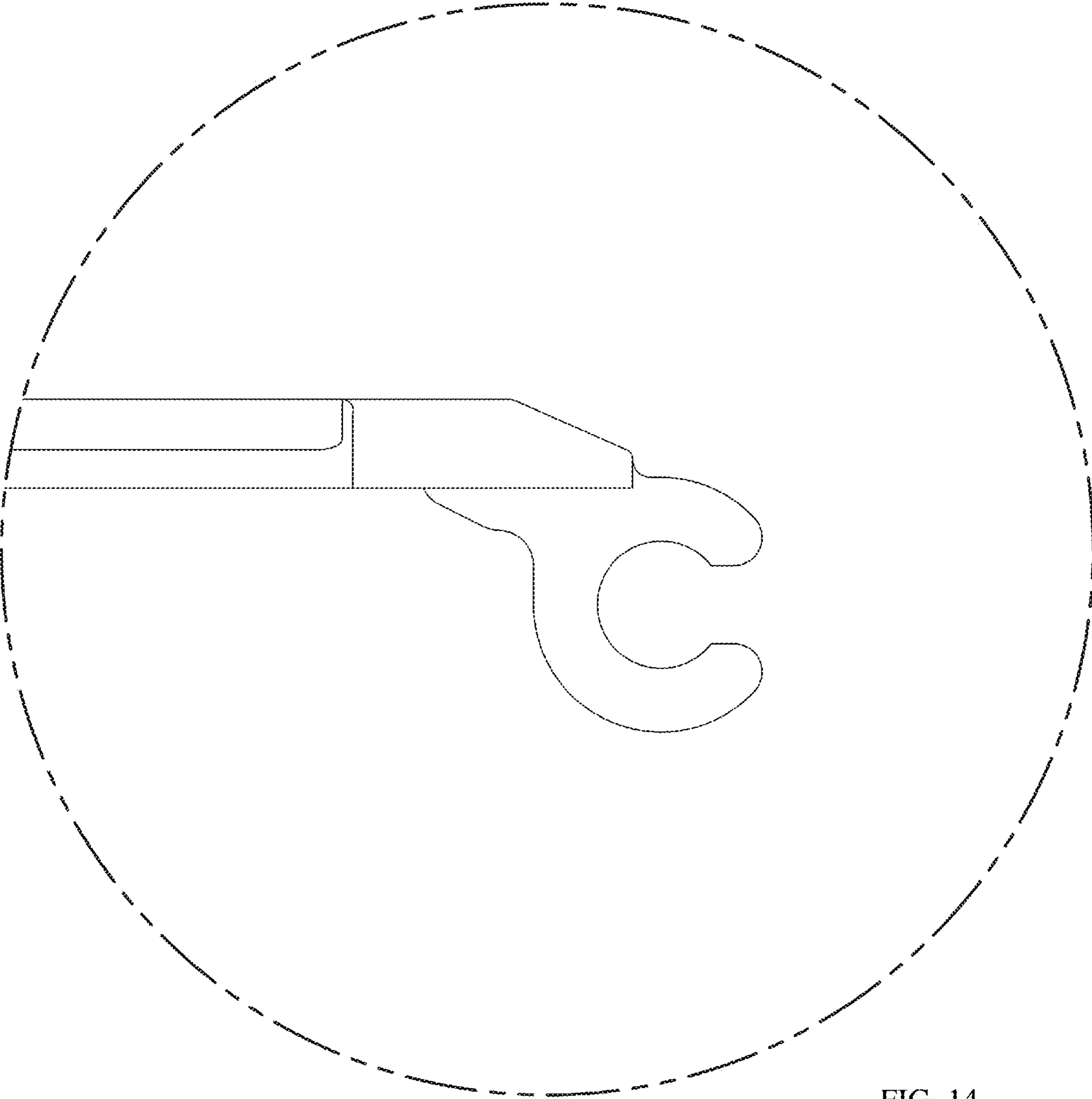


FIG. 14

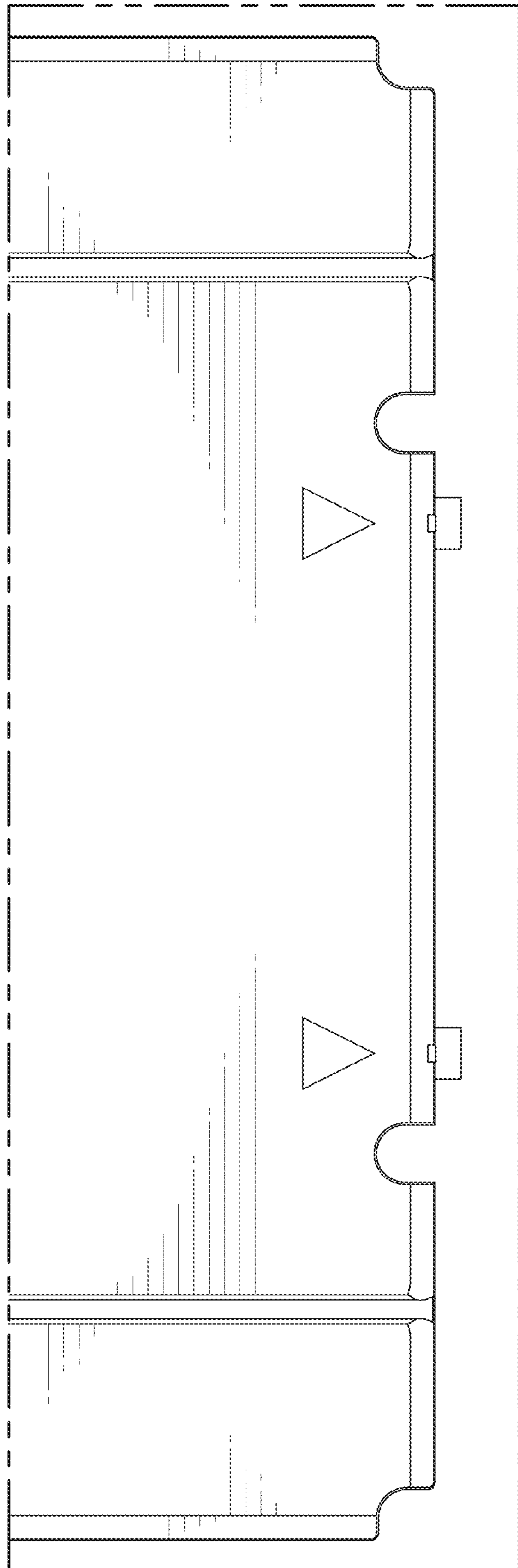


FIG. 15

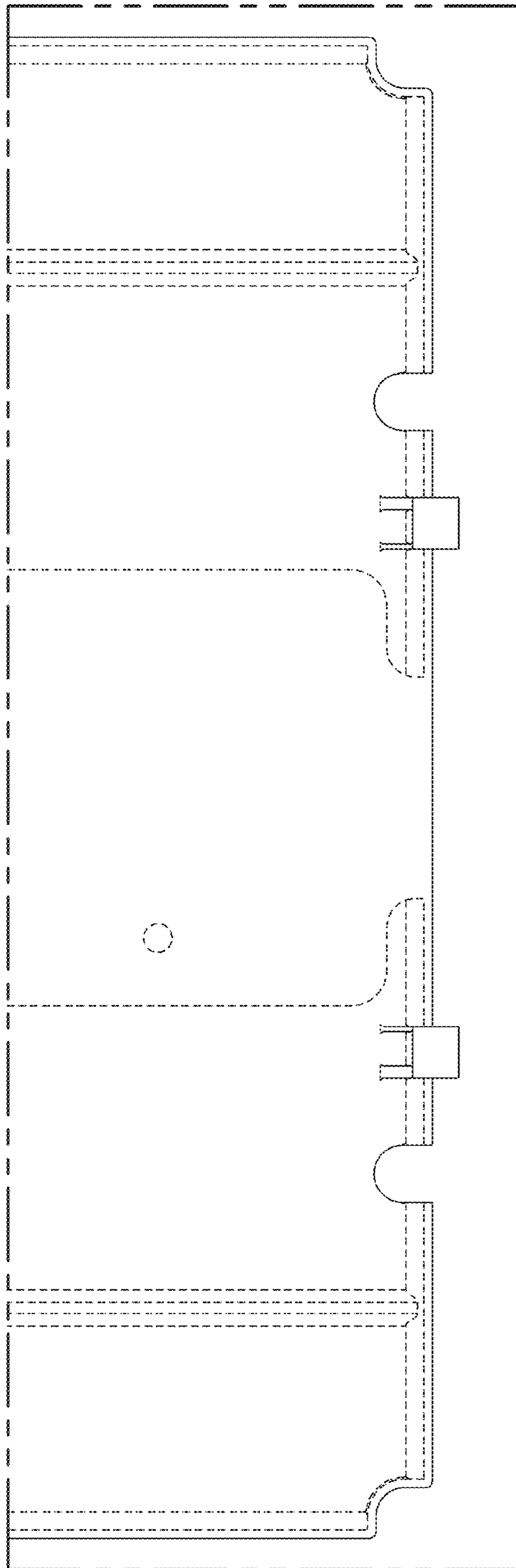


FIG. 16