



US00D974283S

(12) **United States Design Patent** (10) **Patent No.:** **US D974,283 S**
Kim et al. (45) **Date of Patent:** **** Jan. 3, 2023**

(54) **UPPER COVER FOR BATTERY MODULE**

(71) Applicant: **LG Chem, Ltd.**, Seoul (KR)

(72) Inventors: **Jeong-Hyeon Kim**, Daejeon (KR);
Do-Hyun Park, Daejeon (KR);
Jun-Yeob Seong, Daejeon (KR);
Jong-Ha Jeong, Daejeon (KR)

(73) Assignee: **LG Energy Solution, Ltd.**

(**) Term: **15 Years**

(21) Appl. No.: **29/696,205**

(22) Filed: **Jun. 26, 2019**

(30) **Foreign Application Priority Data**

Dec. 26, 2018 (KR) 30-2018-0061671

(51) **LOC (14) Cl.** **13-02**

(52) **U.S. Cl.**
USPC **D13/103**

(58) **Field of Classification Search**
USPC D13/102-106, 107, 108, 118, 199, 110,
D13/119
CPC Y02E 60/12; Y02E 60/122; Y02E 60/124;
Y02E 60/50; H01M 2/02; H01M 2/022;
H01M 2/0207; H01M 2/0212; H01M
2/1061; H01M 2/1022; H01M 2/1055;
H01M 2/1066; H01M 2/105; H01M
2/204;

(Continued)

(56) **References Cited**

U.S. PATENT DOCUMENTS

6,580,030 B1 * 6/2003 Horne H02B 1/30
174/50
D685,319 S * 7/2013 Ignor D13/103
D859,304 S * 9/2019 Wang D13/102

(Continued)

OTHER PUBLICATIONS

Greencarreports.com: Here's the battery pack . . . Published Sep. 25, 2018. Retrieved from the internet at <https://www.greencarreports.com/news/1118974_heres-the-battery-pack-behind-vws-global-electrical-vehicle-push>, Sep. 20, 2021. 1 page. (Year: 2018).*

Primary Examiner — Christy Nemeth
(74) *Attorney, Agent, or Firm* — Lerner, David,
Littenberg, Krumholz & Mentlik, LLP

(57) **CLAIM**

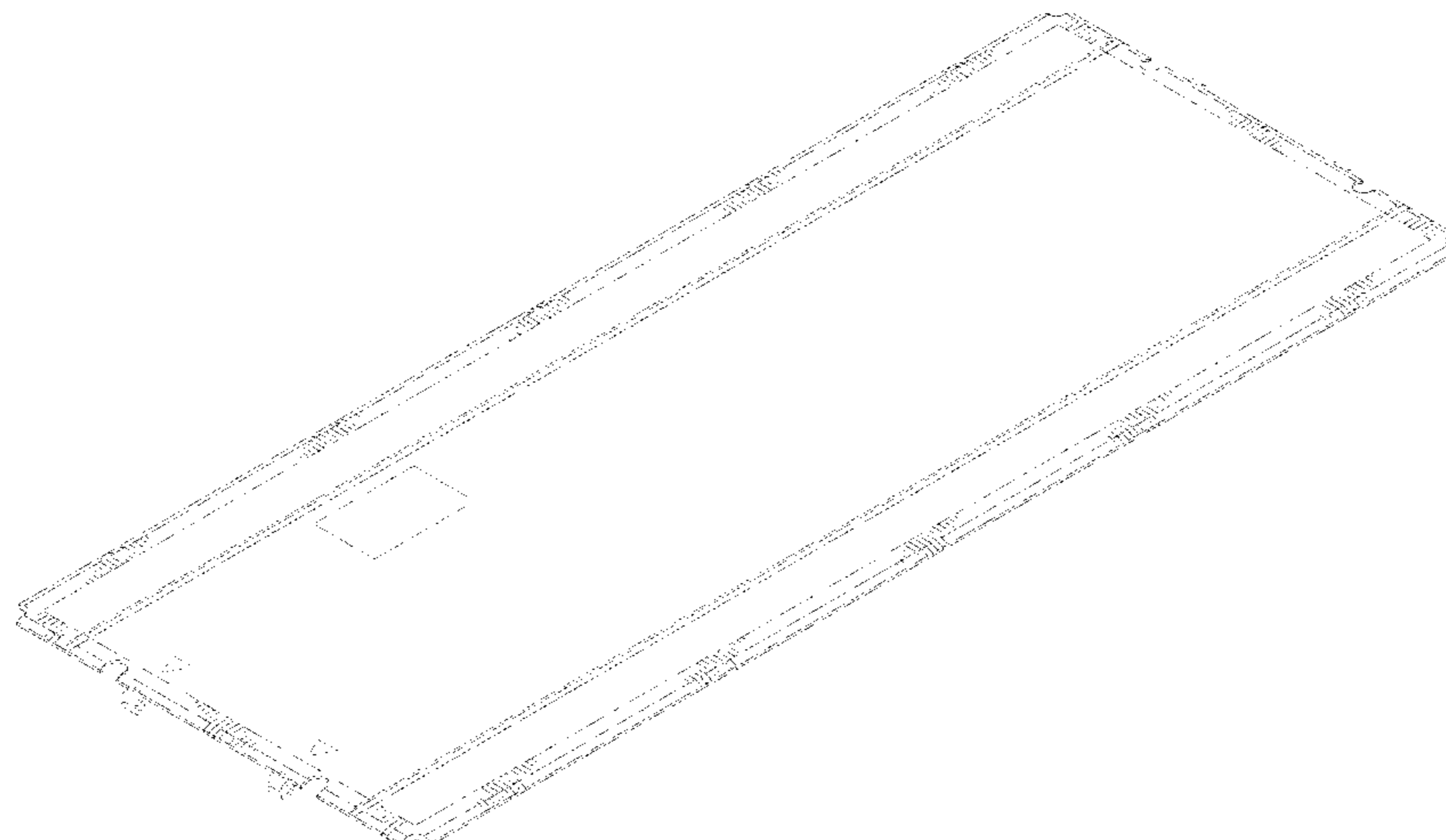
The ornamental design for an upper cover for battery module, as shown and described.

DESCRIPTION

FIG. 1 is a front perspective view of an upper cover for battery module according to our design;
FIG. 2 is an enlarged front view thereof;
FIG. 3 is an enlarged rear view thereof;
FIG. 4 is a left side view thereof;
FIG. 5 is a right side view thereof;
FIG. 6 is a top view thereof;
FIG. 7 is a bottom view thereof;
FIG. 8 is an enlarged view of encircled portion "8" shown in FIG. 2;
FIG. 9 is an enlarged view of encircled portion "9" shown in FIG. 3;
FIG. 10 is an enlarged view of encircled portion "10" shown in FIG. 4;
FIG. 11 is an enlarged view of encircled portion "11" shown in FIG. 5; and,
FIG. 12 is an enlarged view of encircled portion "12" shown in FIG. 6.

The dash-dash broken lines in the drawings are for the purpose of illustrating portions of the article that form no part of the claimed design. The short dash-dot broken lines are for the purpose of illustrating the boundaries of the portions shown enlarged in the views. The long dash-dot

(Continued)



broken lines are for the purpose of illustrating the boundaries of the claim. None of the broken lines form part of the claim.

1 Claim, 12 Drawing Sheets

(58) **Field of Classification Search**

CPC H01M 10/4257; H01M 10/0436; H01M
10/48

See application file for complete search history.

(56) **References Cited**

U.S. PATENT DOCUMENTS

D877,059 S *	3/2020	Osborn	D13/102
D910,545 S *	2/2021	Dinh	D13/103
D911,923 S *	3/2021	Brennan, Jr.	D13/103
D913,216 S *	3/2021	Lee	D13/103
D913,217 S *	3/2021	Park	D13/103
D914,590 S *	3/2021	Osborn	D13/102
D921,579 S *	6/2021	Park	D13/103
2019/0312319 A1 *	10/2019	Choi	H01M 10/652
2021/0175690 A1 *	6/2021	Isbill	H02B 1/056

* cited by examiner

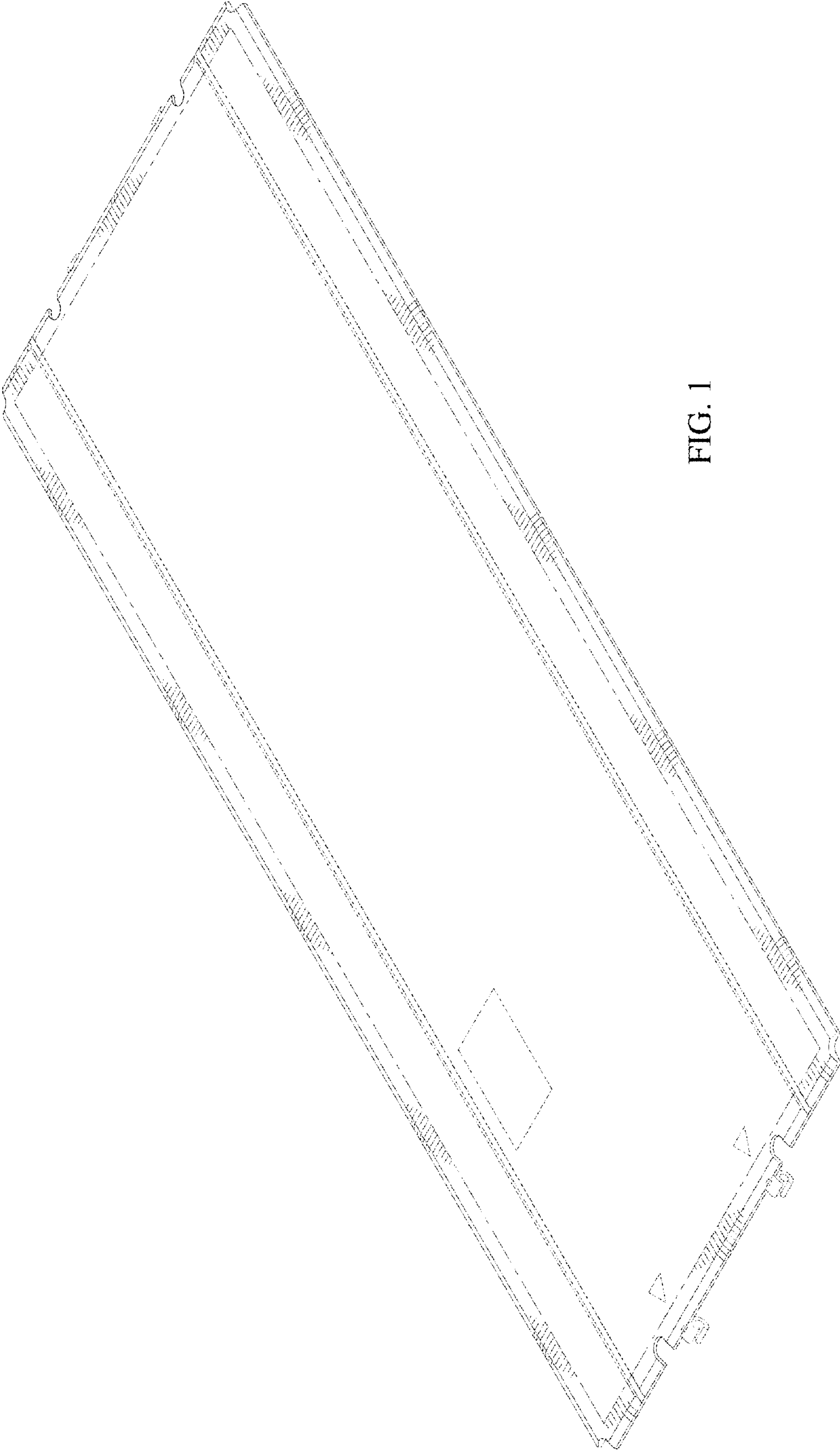


FIG. 1

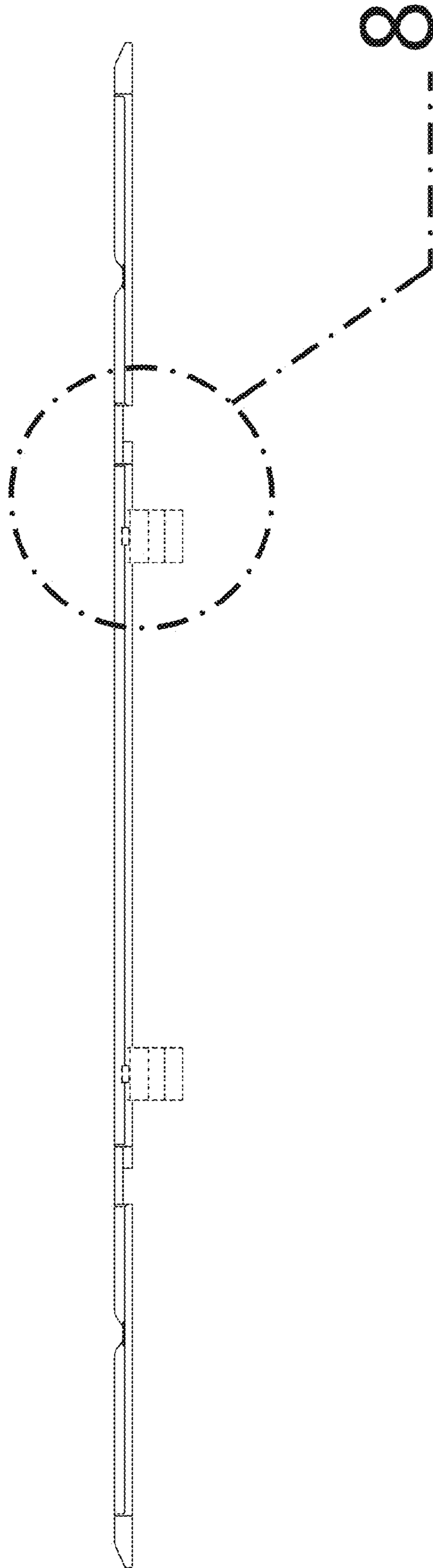


FIG. 2

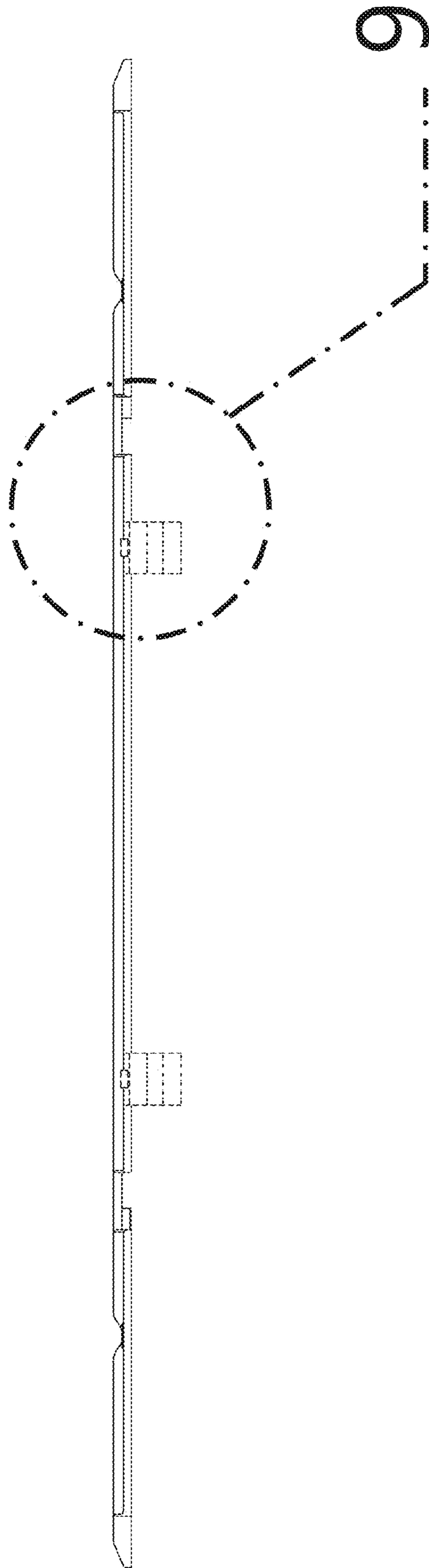


FIG. 3

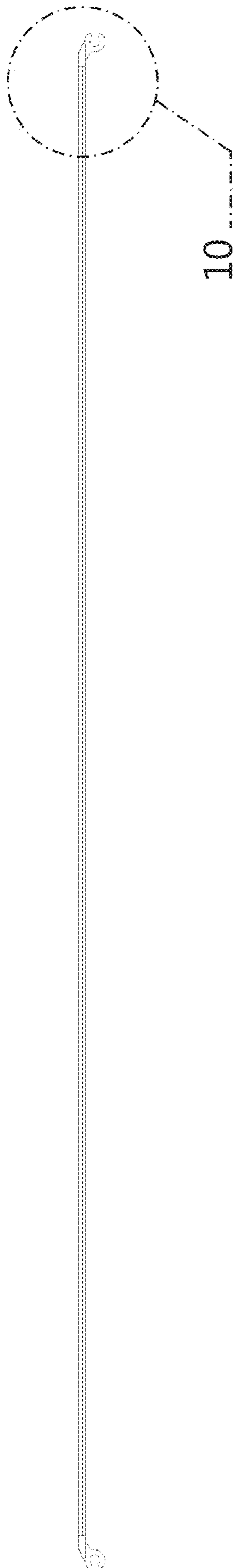


FIG. 4

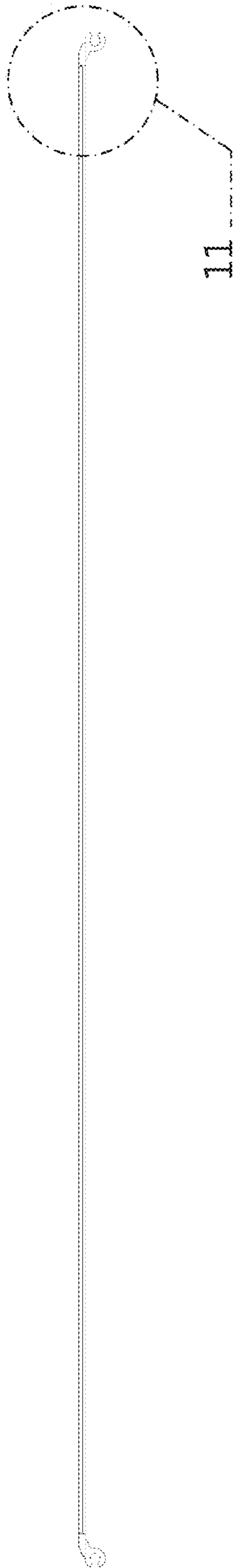


FIG. 5

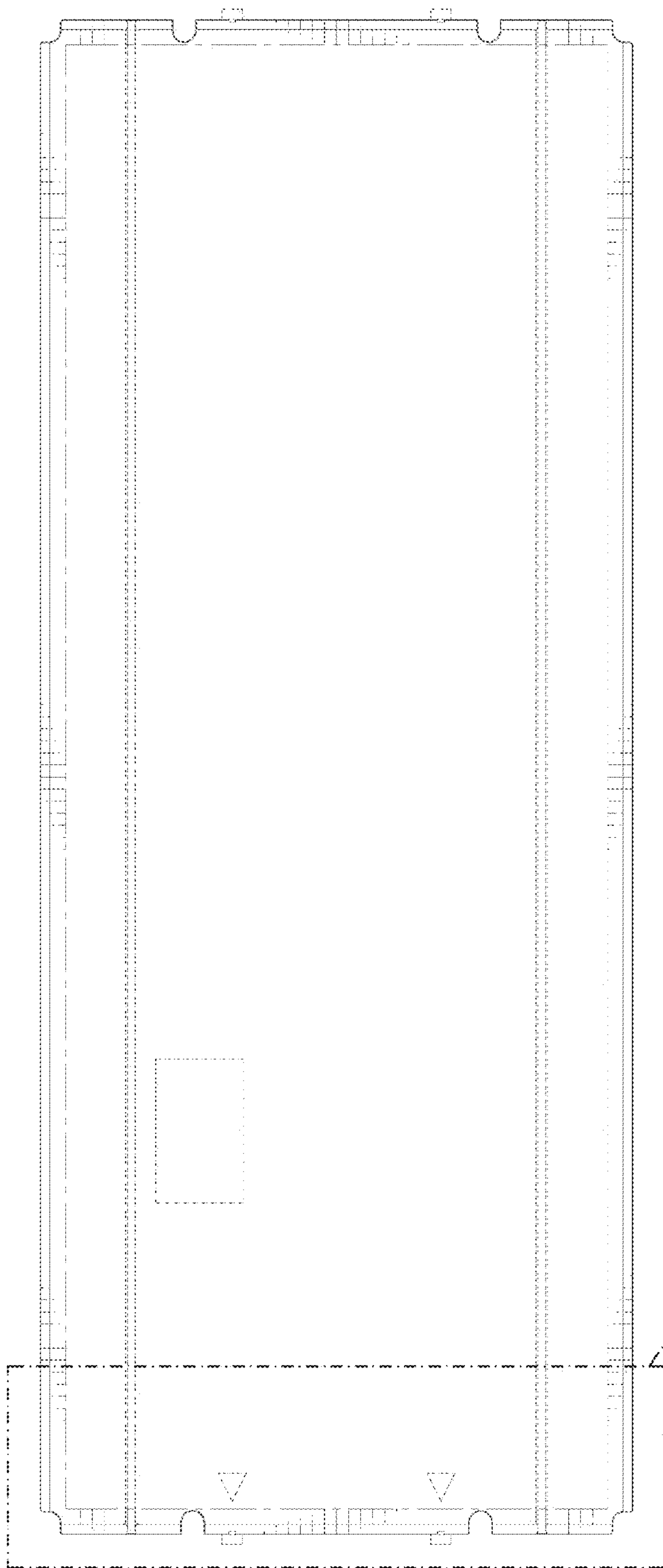


FIG. 6

12

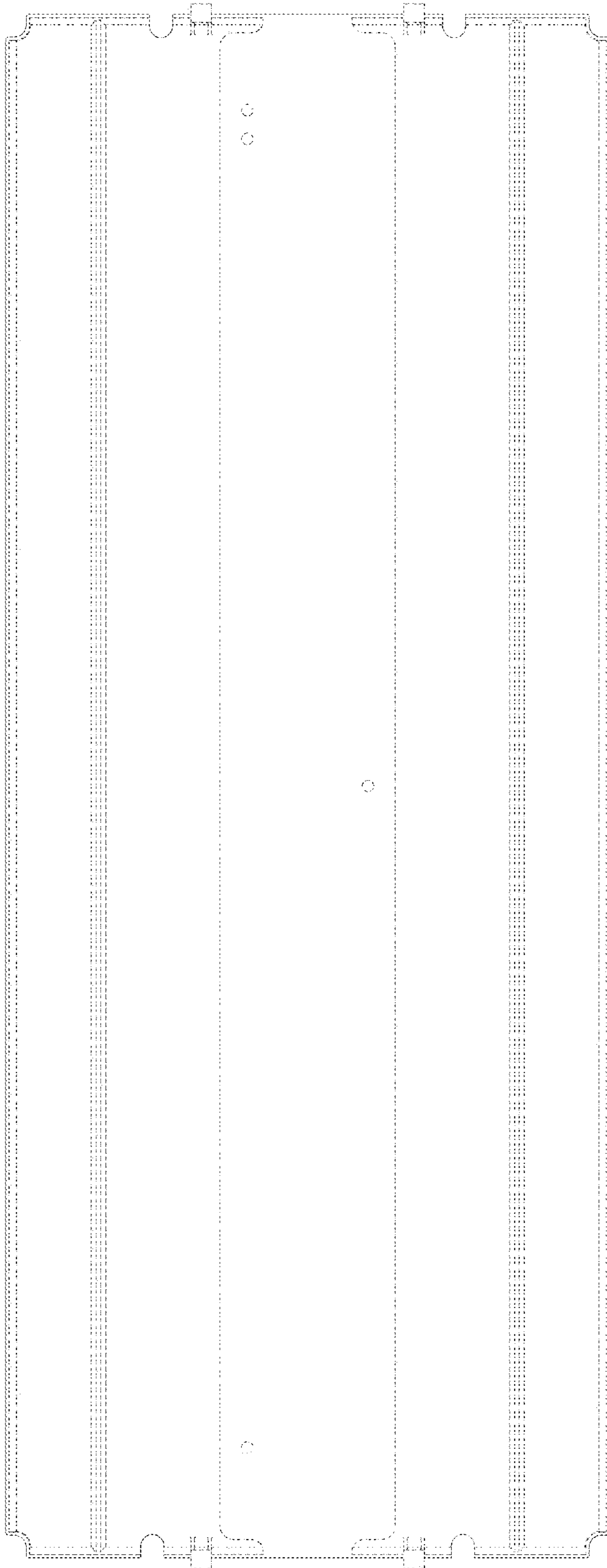


FIG. 7

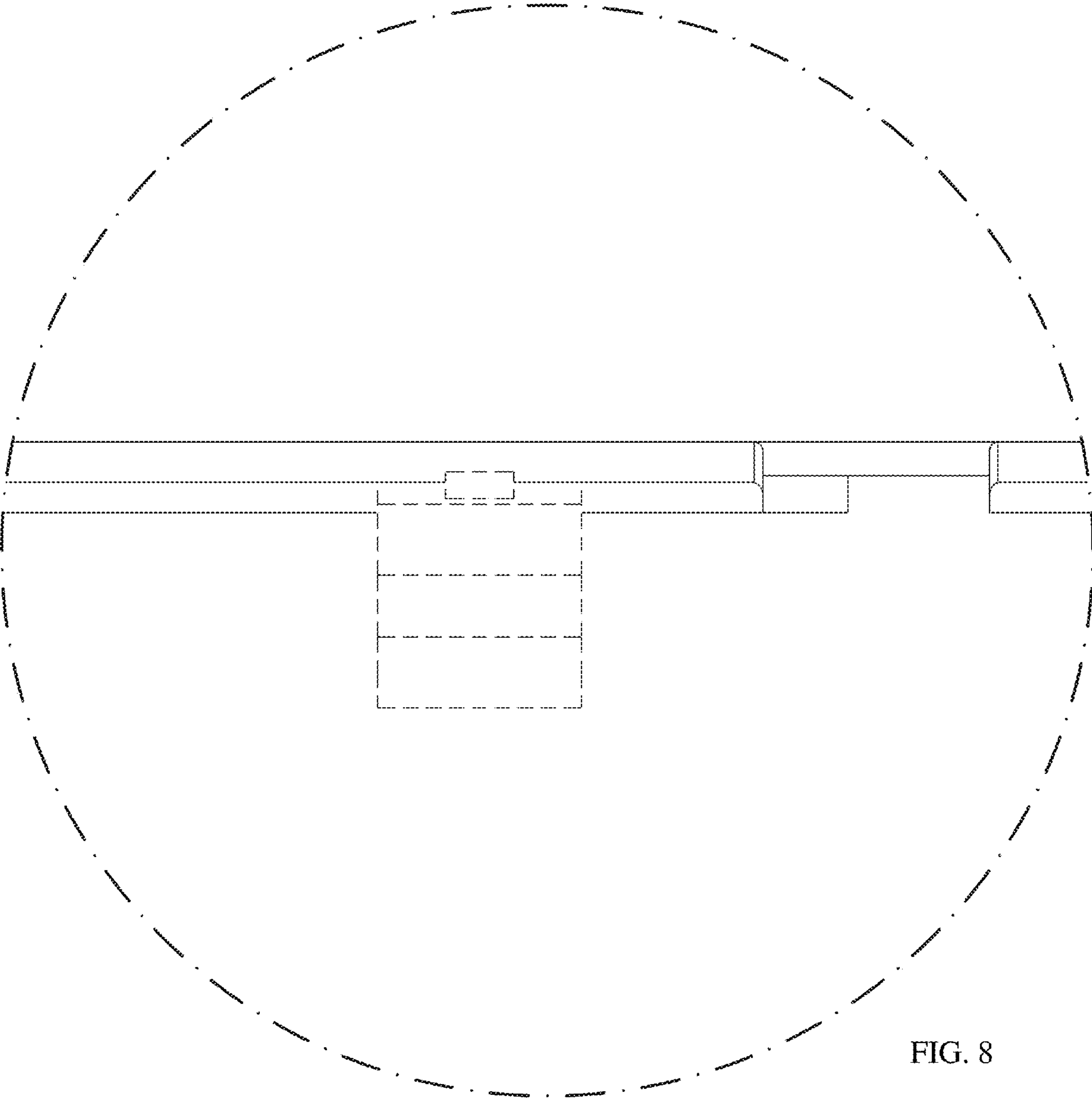
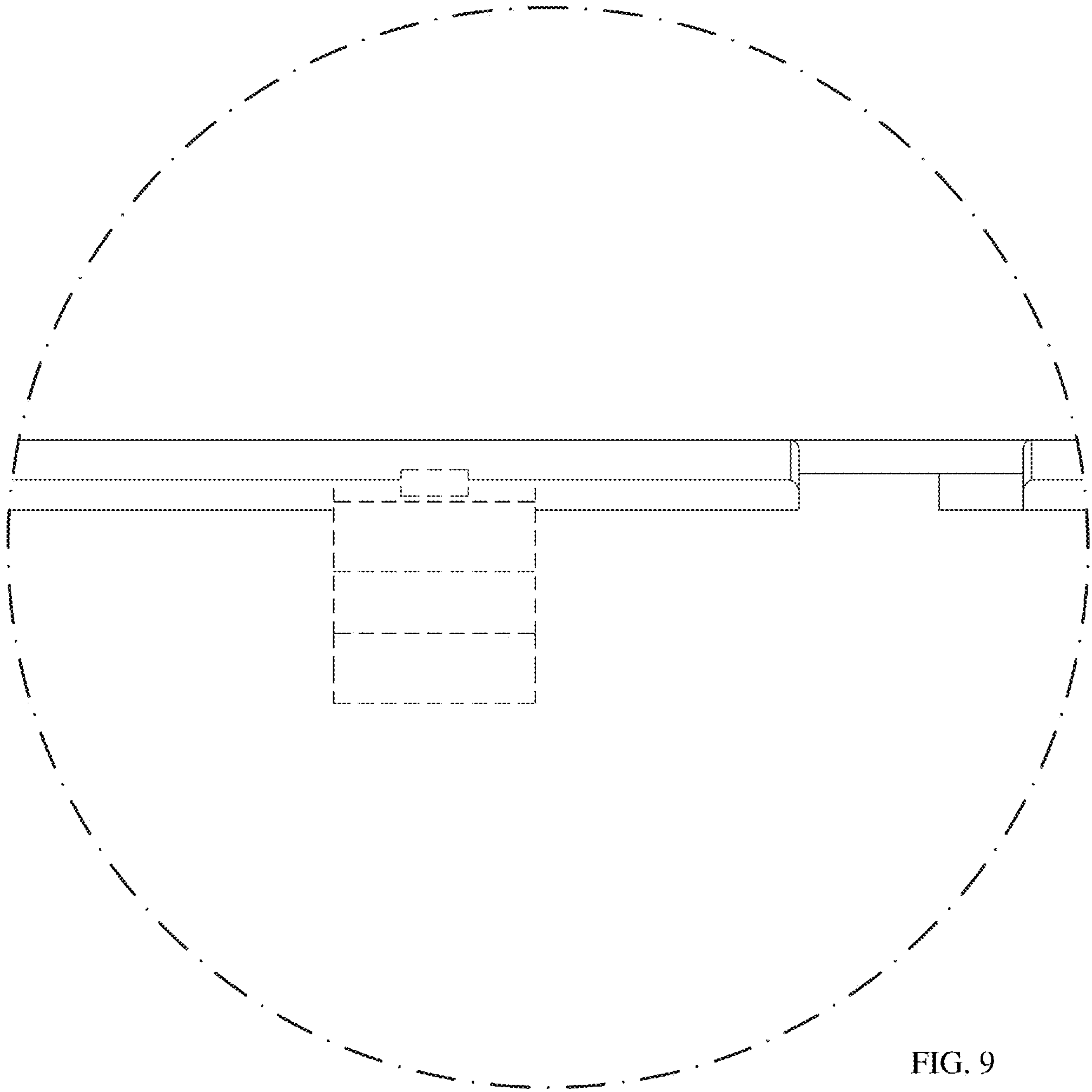


FIG. 8



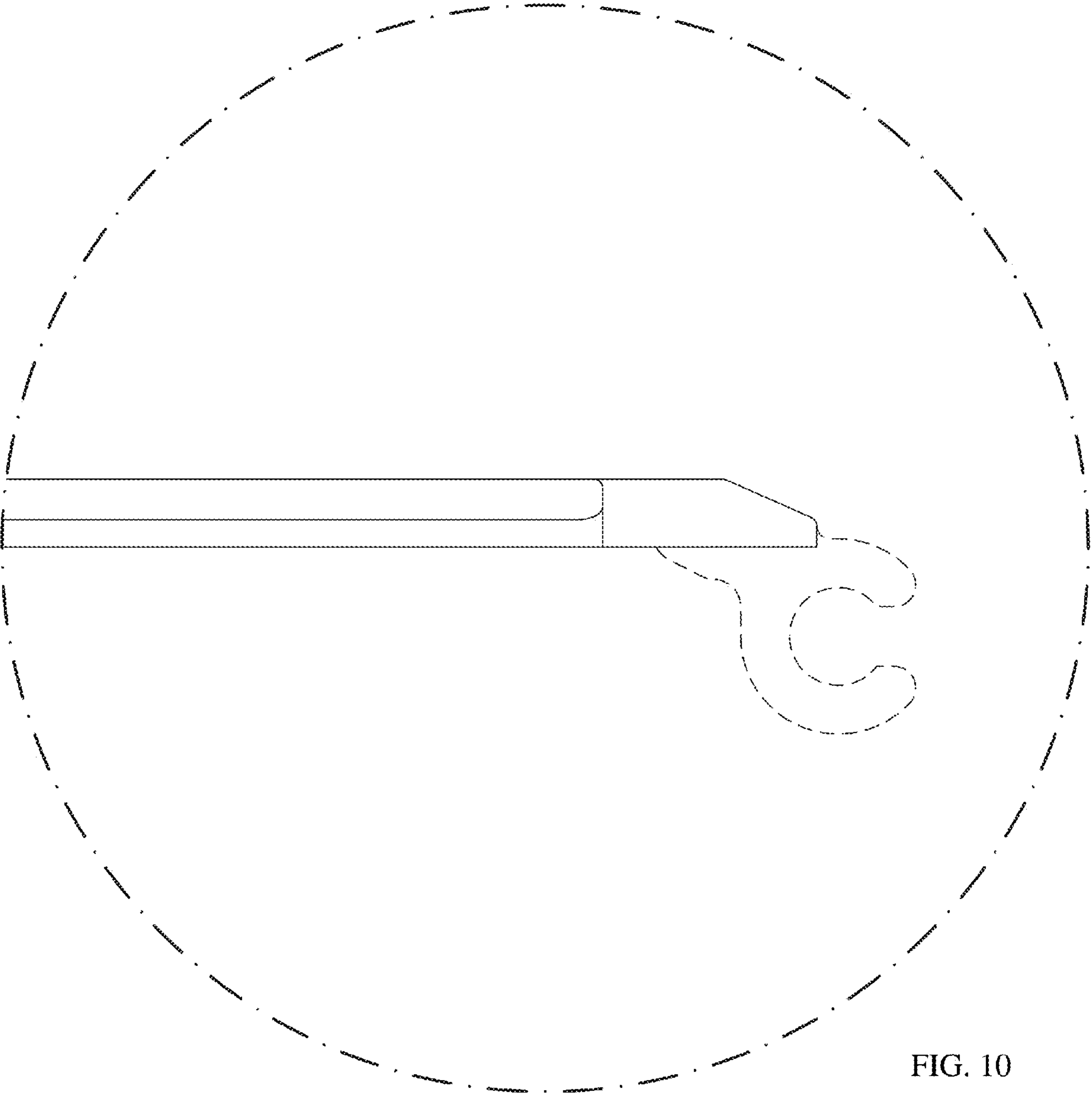


FIG. 10

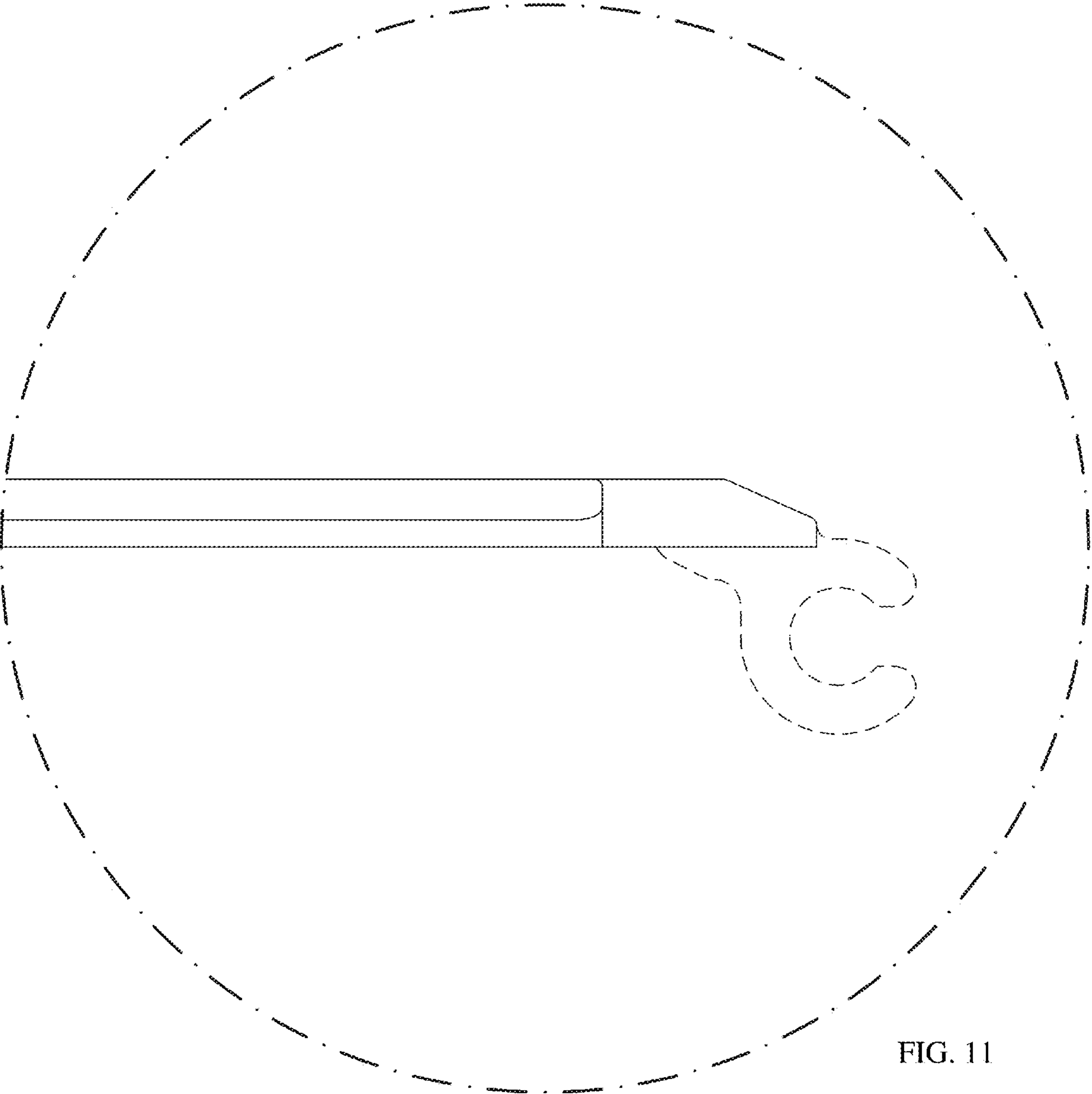


FIG. 11

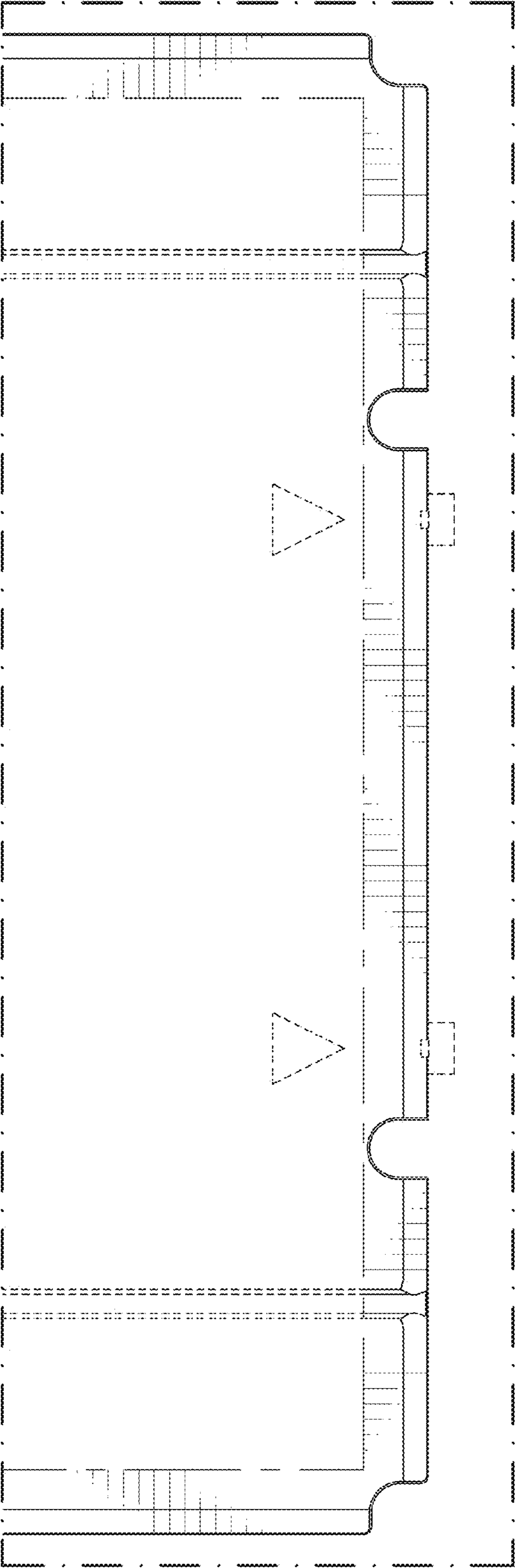


FIG. 12