

US00D974282S

(12) **United States Design Patent**  
**Caselles Fornés**

(10) **Patent No.:** **US D974,282 S**

(45) **Date of Patent:** **\*\* Jan. 3, 2023**

(54) **SOLAR HOUSING MODULE**  
(71) Applicant: **Solar Avances y Sistemas de Energía, S.L.**, Pedreguer (ES)  
(72) Inventor: **Jaime Caselles Fornés**, Alicante (ES)  
(73) Assignee: **Solar Avances y Sistemas de Energía, S.L.**, Alicante (ES)  
(\*\*) Term: **15 Years**

D659,099 S *	5/2012	Svelnis .....	D13/151
D807,816 S *	1/2018	Petrella .....	D13/102
D815,030 S *	4/2018	Petrella .....	D13/102
D867,983 S *	11/2019	Li .....	D13/102
D908,081 S *	1/2021	Huang .....	D13/102
D920,227 S *	5/2021	Jaramillo .....	D13/102
D920,898 S *	6/2021	Magee .....	D13/116
D931,796 S *	9/2021	Huang .....	D13/102
D935,386 S *	11/2021	Wu .....	D13/102
D936,565 S *	11/2021	Miyamichi .....	D13/102
D940,644 S *	1/2022	Nakayashiki .....	D13/102
D940,646 S *	1/2022	Persaud .....	D13/102
D941,236 S *	1/2022	Dunn .....	D13/102
D941,747 S *	1/2022	Au .....	D13/102

(21) Appl. No.: **35/511,284**

\* cited by examiner

(22) Filed: **Aug. 4, 2020**

*Primary Examiner* — Rhea Shields

(80) **Hague Agreement Data**

(74) *Attorney, Agent, or Firm* — FisherBroyles, LLP;  
Jason M. Pass

Int. Filing Date: **Aug. 4, 2020**

Int. Reg. No.: **DM/209976**

Int. Reg. Date: **Aug. 4, 2020**

Int. Reg. Pub. Date: **Feb. 5, 2021**

(51) **LOC (14) Cl.** ..... **13-04**

(52) **U.S. Cl.**

USPC ..... **D13/102**

(58) **Field of Classification Search**

USPC ..... D13/102, 103, 107, 108, 151, 116

CPC ..... F24S 23/71

See application file for complete search history.

(57) **CLAIM**

I claim the ornamental design for a solar housing module, as shown and described.

(56) **References Cited**

**U.S. PATENT DOCUMENTS**

5,685,151 A \* 11/1997 Ross ..... F24S 23/71

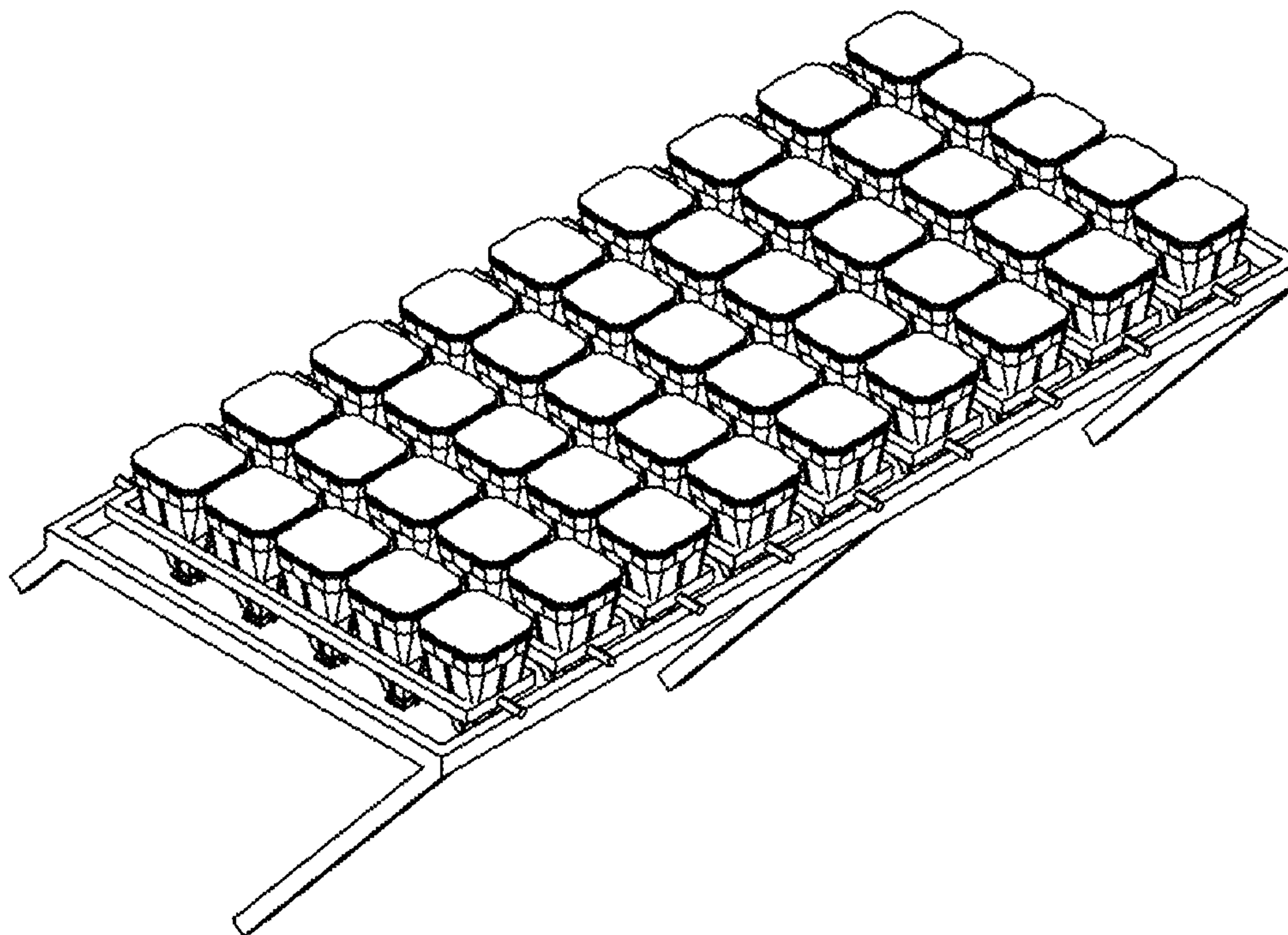
60/659

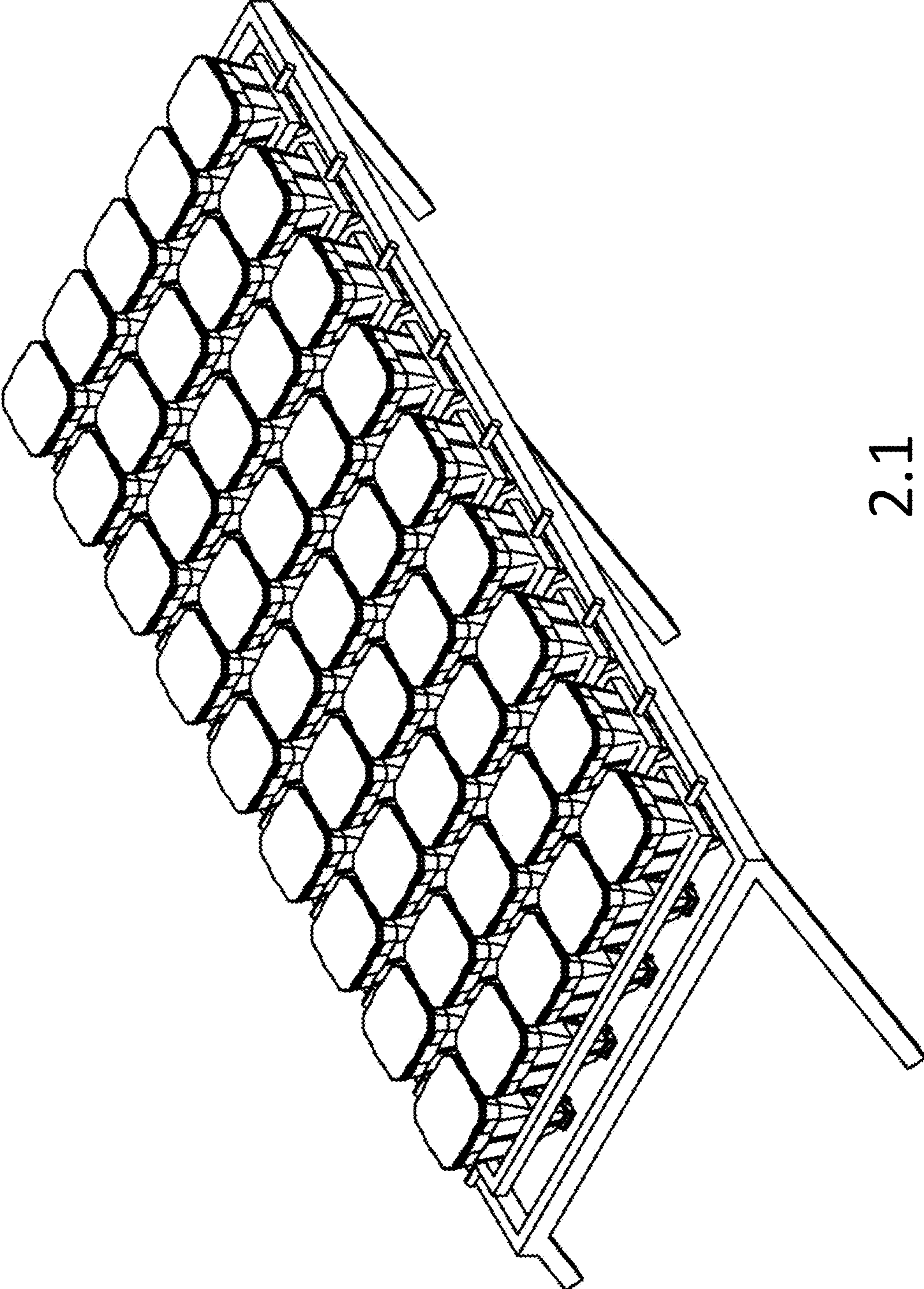
D516,501 S \* 3/2006 Ware, Jr. .... D13/107

**DESCRIPTION**

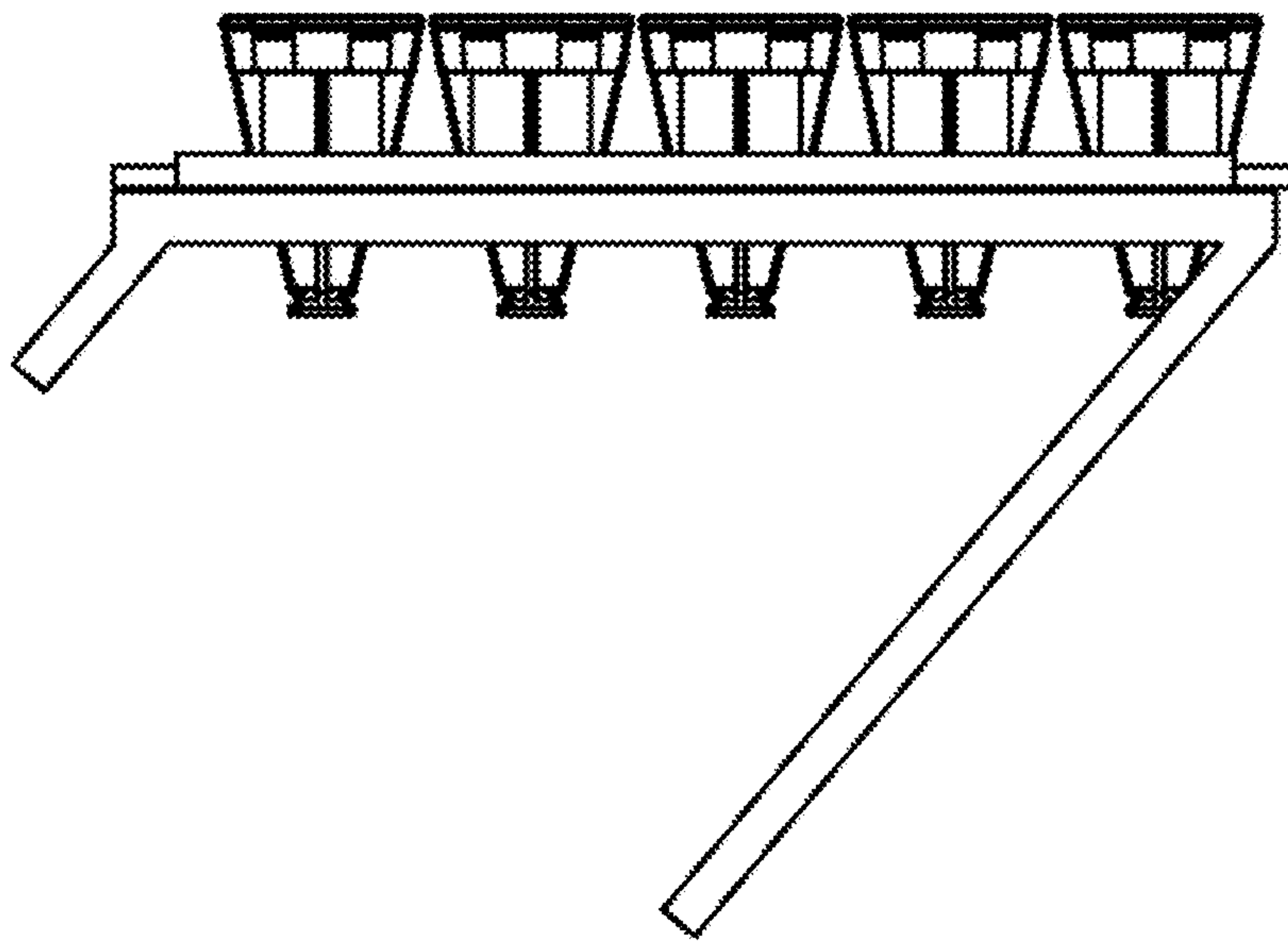
- 2.1 Perspective
- 2.2 Front
- 2.3 Rear
- 2.4 Right
- 2.5 Left
- 2.6 Top

**1 Claim, 6 Drawing Sheets**

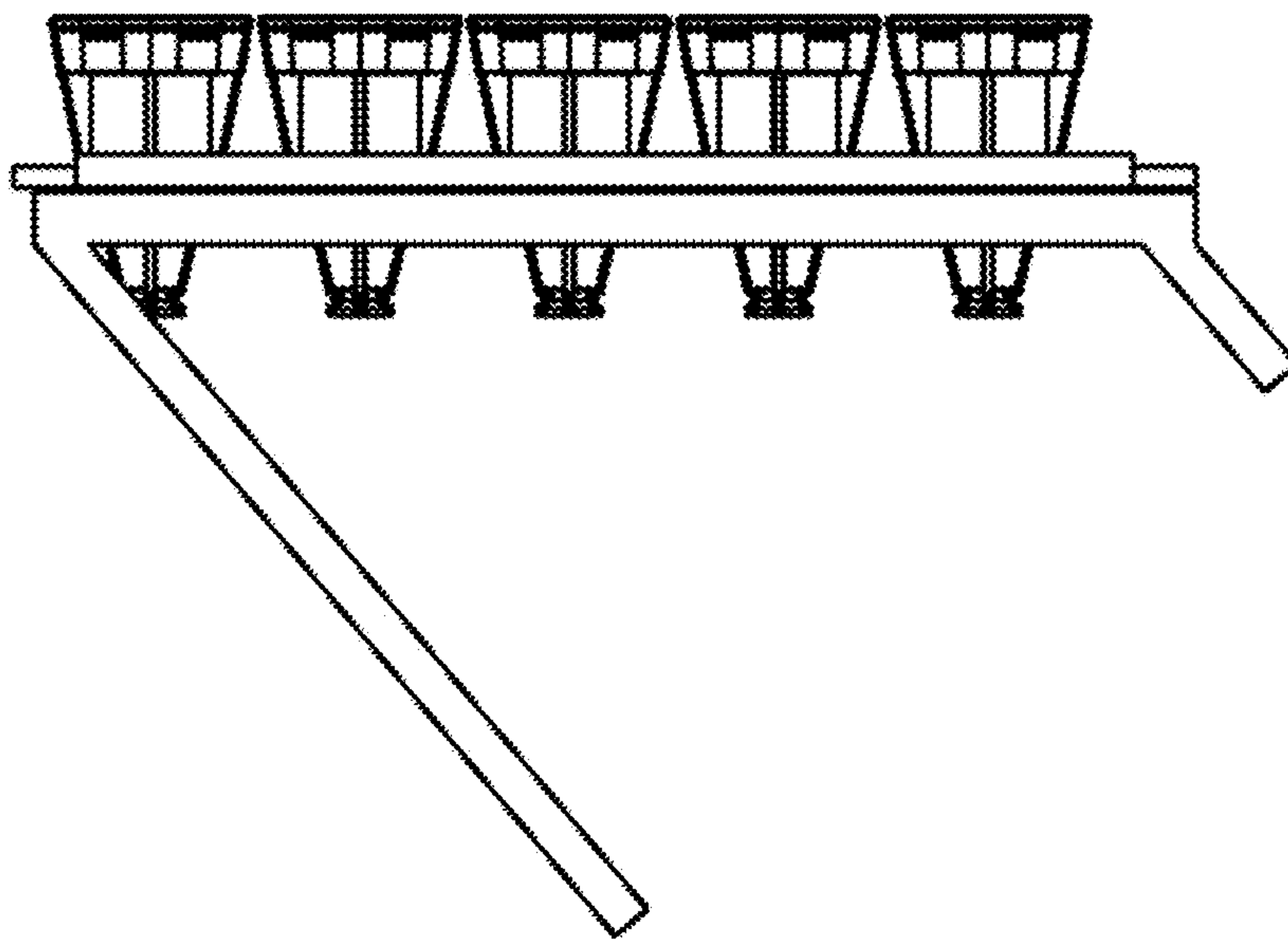




2.1

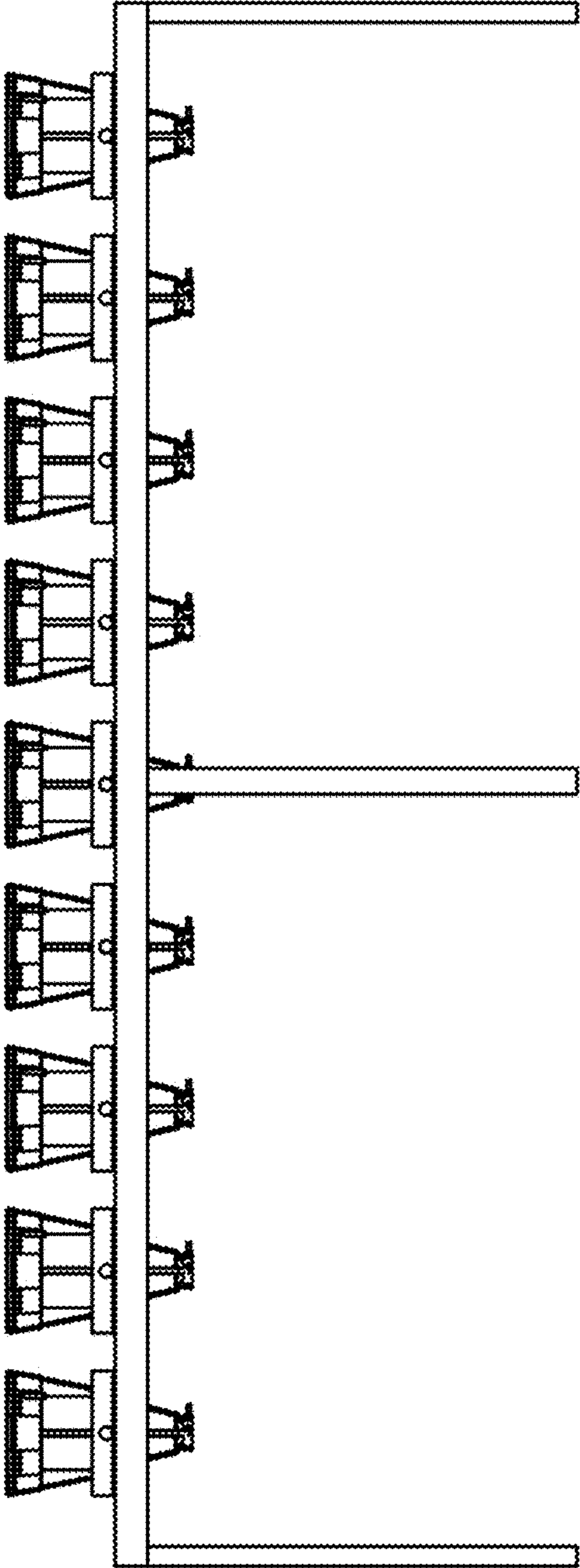


2.2

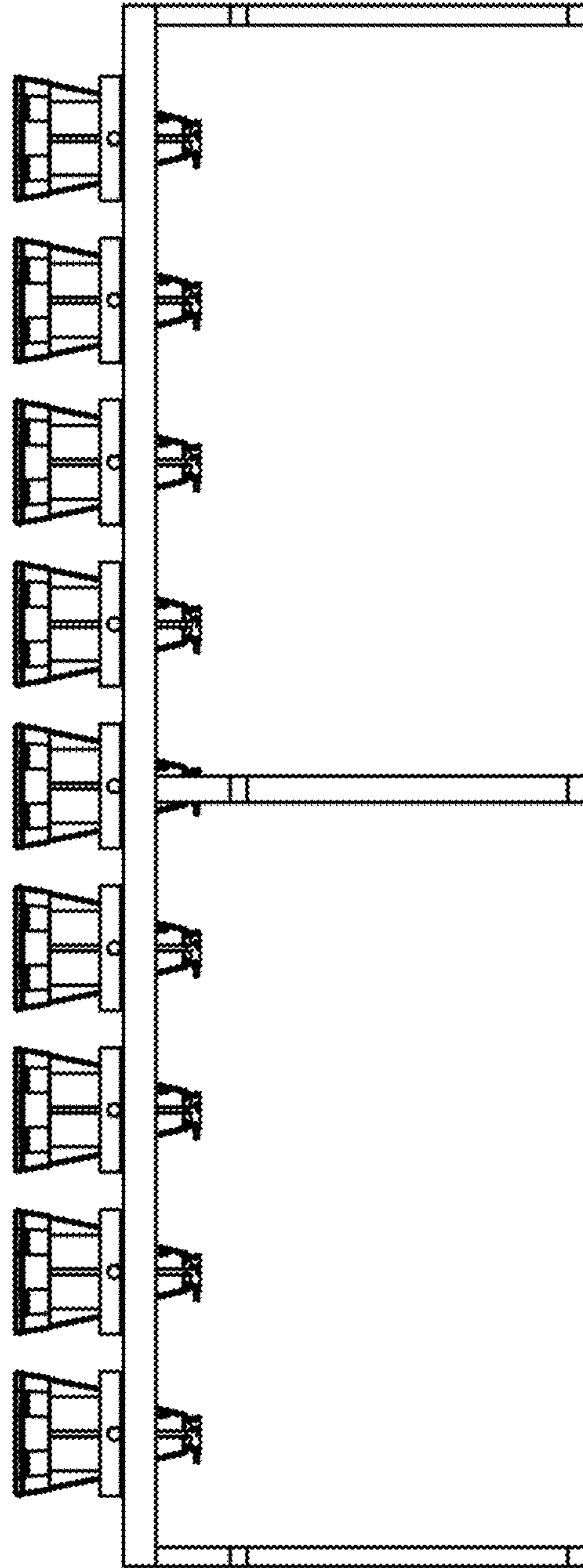


2.3

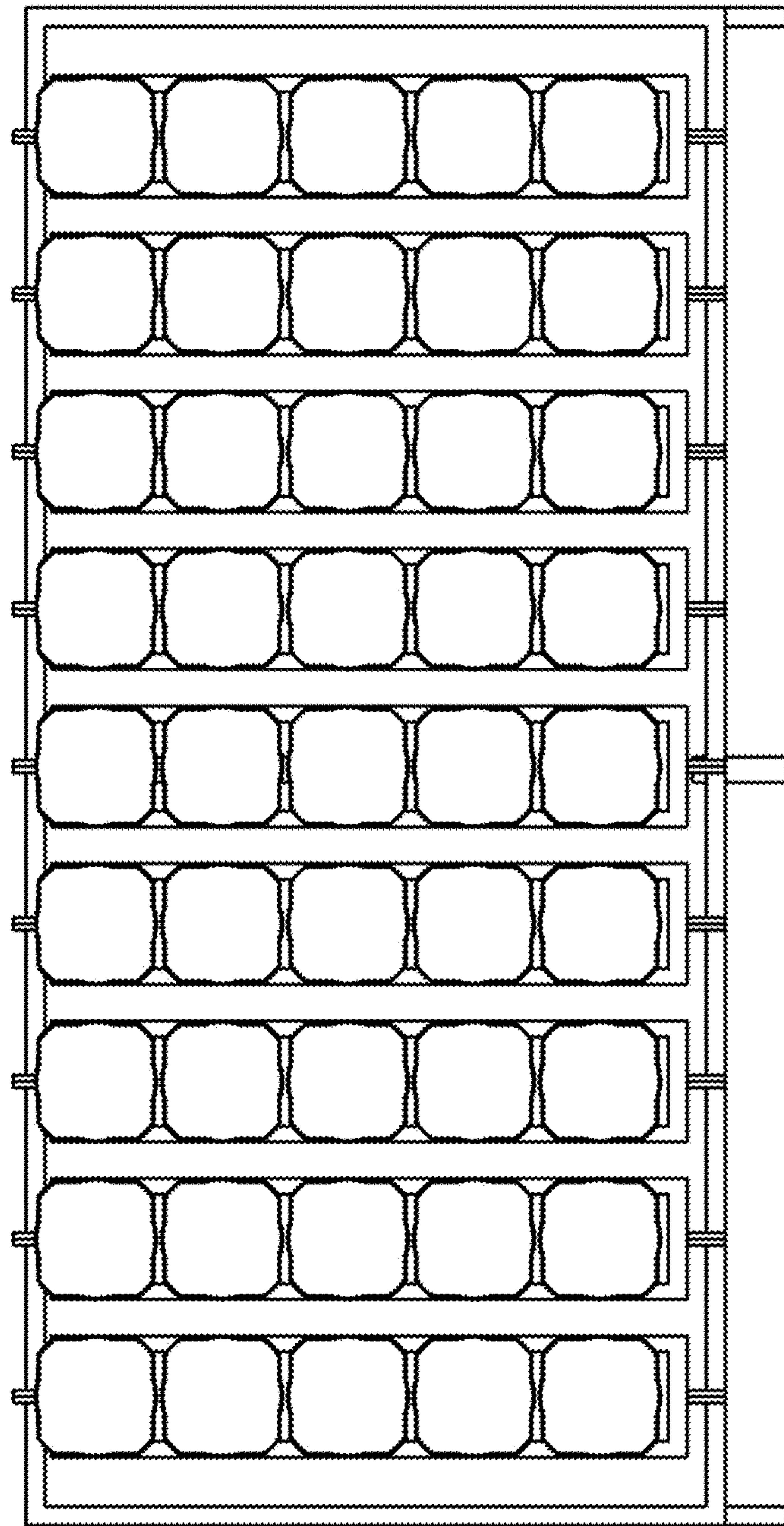




2.4



2.5



2.6