



US00D974280S

(12) **United States Design Patent**  
**Iwabuchi et al.**

(10) **Patent No.:** **US D974,280 S**  
(45) **Date of Patent:** **\*\* Jan. 3, 2023**

(54) **AUTOMOBILE TIRE**

(71) Applicant: **THE YOKOHAMA RUBBER CO., LTD.**, Tokyo (JP)

(72) Inventors: **Kotaro Iwabuchi**, Tokyo (JP);  
**Hironori Wada**, Hiratsuka (JP)

(73) Assignee: **THE YOKOHAMA RUBBER CO., LTD.**, Tokyo (JP)

(\*\*) Term: **15 Years**

(21) Appl. No.: **29/744,905**

(22) Filed: **Jul. 31, 2020**

(30) **Foreign Application Priority Data**

Dec. 26, 2019 (JP) ..... 2019-028959

(51) **LOC (14) Cl.** ..... **12-15**

(52) **U.S. Cl.**  
USPC ..... **D12/600**

(58) **Field of Classification Search**  
USPC ..... D12/568-605, 900  
CPC ..... Y10T 152/10027; B60C 1/0016; B60C 11/0306; B60C 11/0302; B60C 3/06; B60C 9/17  
See application file for complete search history.

(56) **References Cited**

**U.S. PATENT DOCUMENTS**

D615,482 S	*	5/2010	Nakano	.....	D12/594
D641,686 S	*	7/2011	Suganuma	.....	D12/593
D646,217 S	*	10/2011	Muto	.....	D12/901
D646,218 S	*	10/2011	Muto	.....	D12/589
D727,840 S	*	4/2015	Rolland	.....	D12/583
D738,293 S	*	9/2015	Cothran	.....	D12/580

D770,370 S	*	11/2016	Ishihara	.....	D12/596
D887,960 S	*	6/2020	Hamanaka	.....	D12/600
D897,941 S	*	10/2020	Hamanaka	.....	D12/600
D905,621 S	*	12/2020	Thieman	.....	D12/594
D943,502 S	*	2/2022	Nakano	.....	D12/587

\* cited by examiner

*Primary Examiner* — John A Voytek

(74) *Attorney, Agent, or Firm* — Banner & Witcoff, Ltd.

(57) **CLAIM**

The ornamental design for an automobile tire, as shown and described.

**DESCRIPTION**

FIG. 1 is a perspective view of an automobile tire showing our design;

FIG. 2 is a front view thereof with the depth between the treads omitted for clarity purposes;

FIG. 3 is a rear view thereof with the depth between the treads omitted for clarity purposes;

FIG. 4 is a right side view thereof;

FIG. 5 is a left side view thereof;

FIG. 6 is a top view thereof with the depth between the treads omitted for clarity purposes;

FIG. 7 is a bottom view thereof with the depth between the treads omitted for clarity purposes;

FIG. 8 is a partially enlarged view of a portion defined by lines 8-8 shown in FIG. 1;

FIG. 9 is a partially enlarged view of a portion defined by lines 9-9 shown in FIG. 2; and,

FIG. 10 is a cross sectional view of a portion defined by lines 10-10 shown in FIG. 9.

In the drawings, the broken lines depict environmental subject matter only and form no part of the claimed design.

The dot and dashed lines represents a boundary between the claimed portion and the non-claimed portion.

**1 Claim, 10 Drawing Sheets**

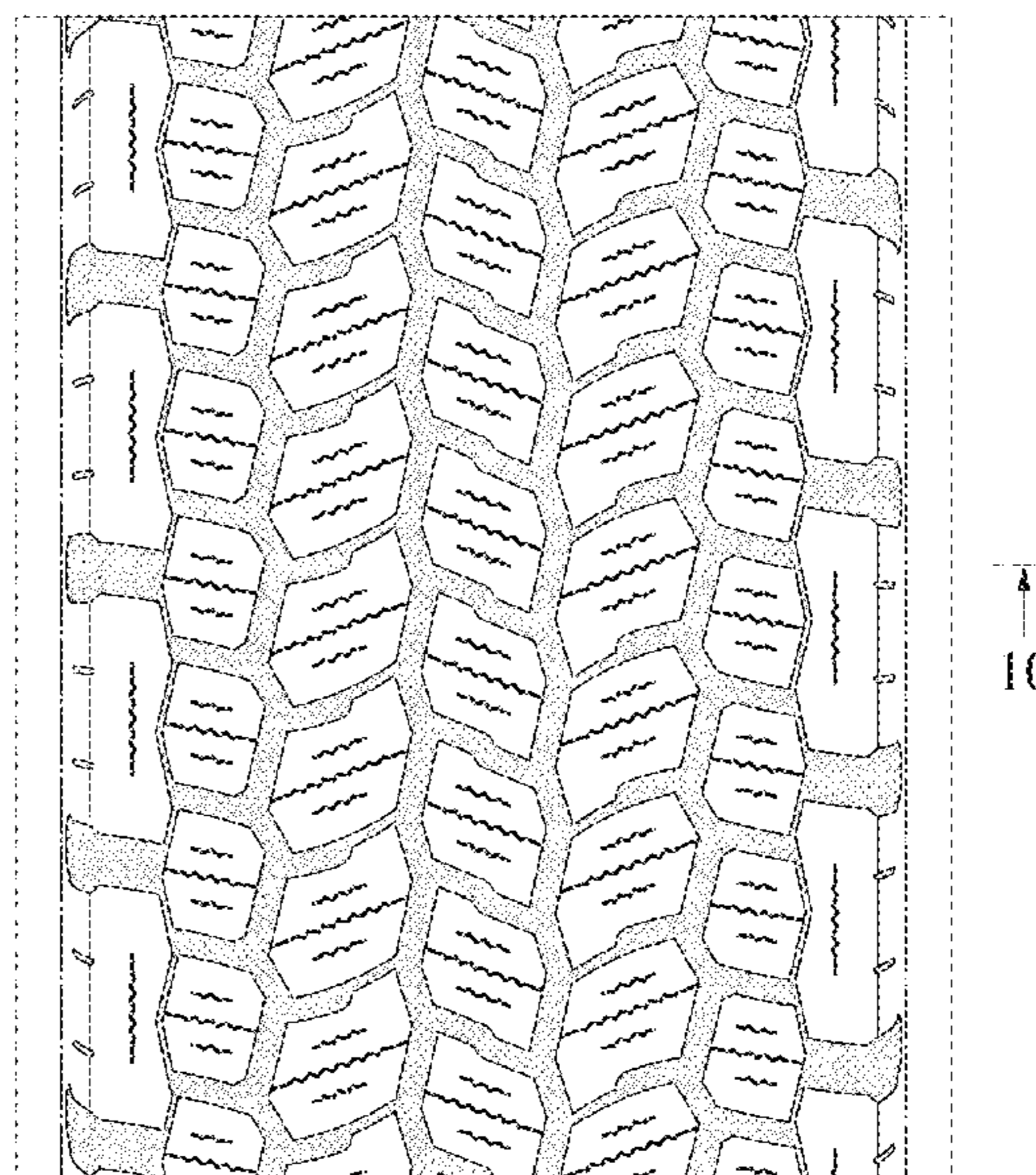
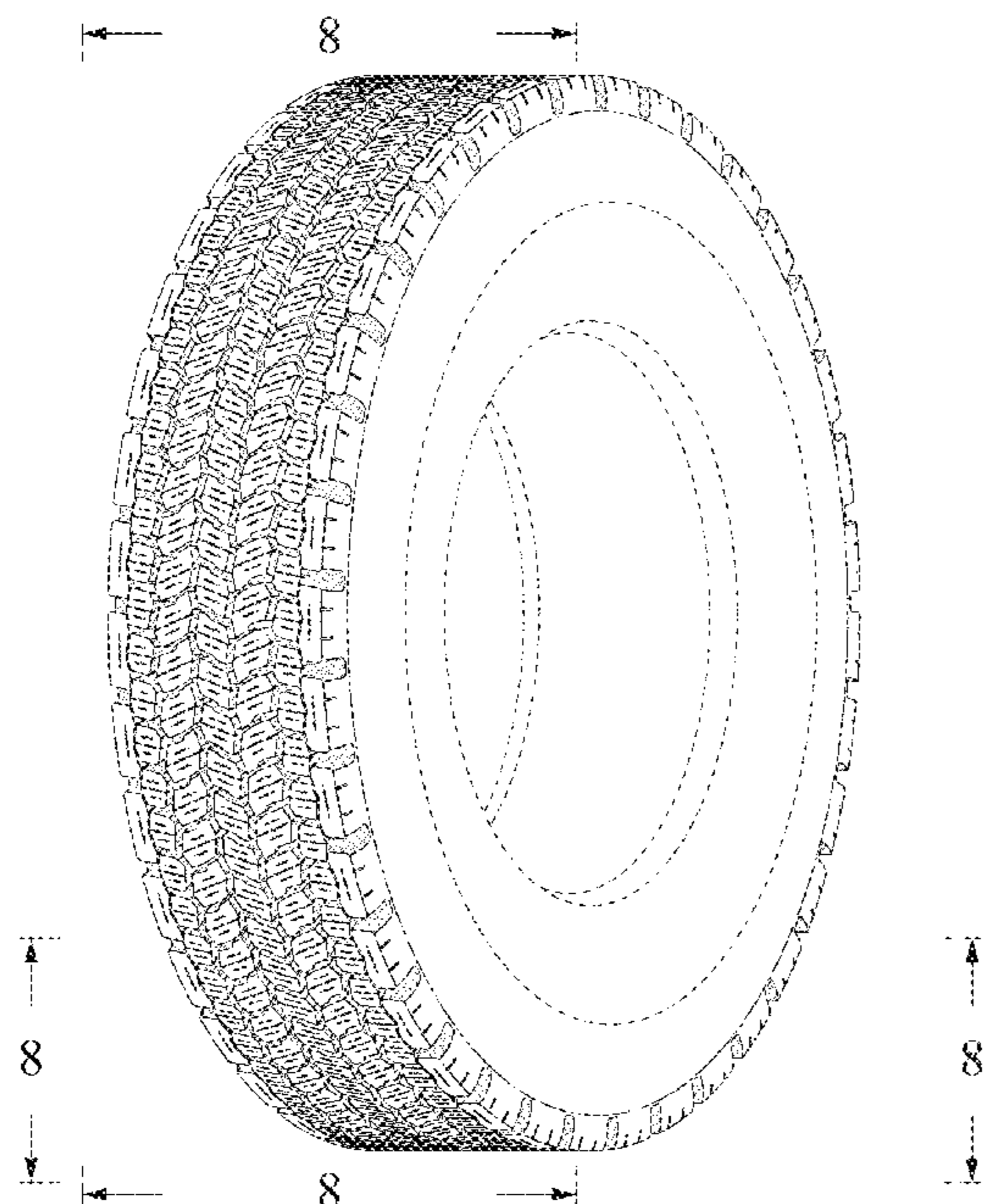
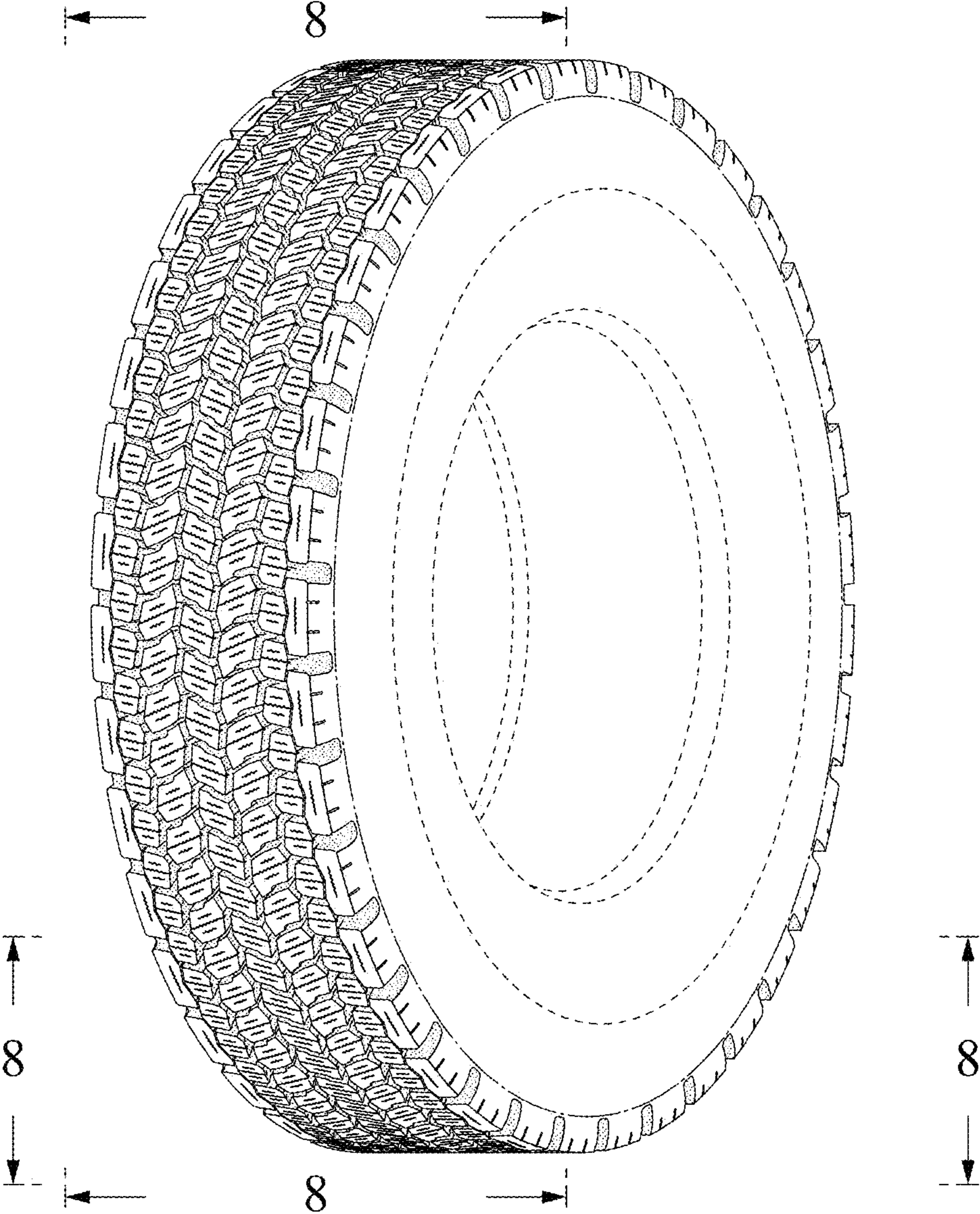
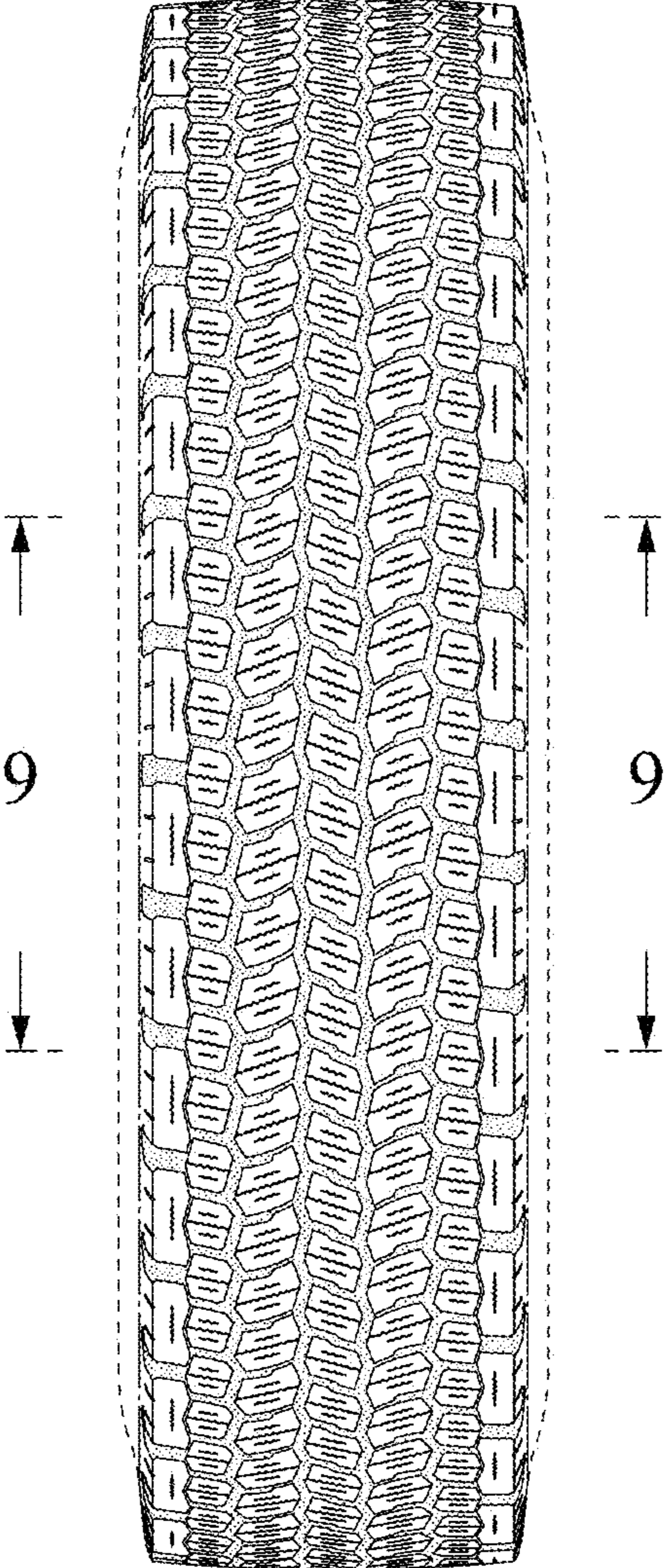


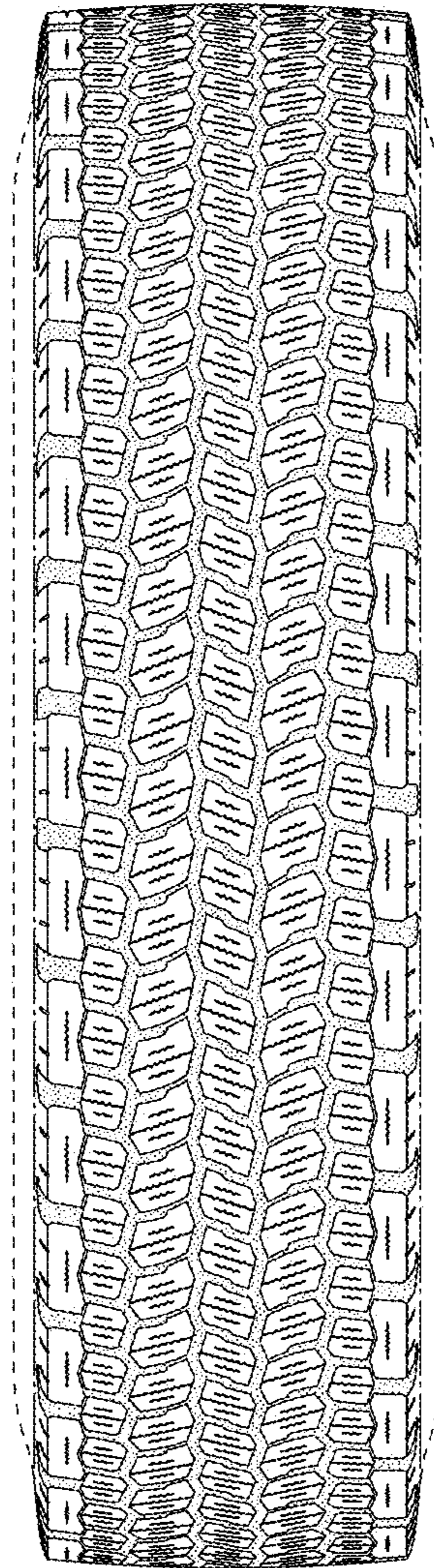
FIG. 1



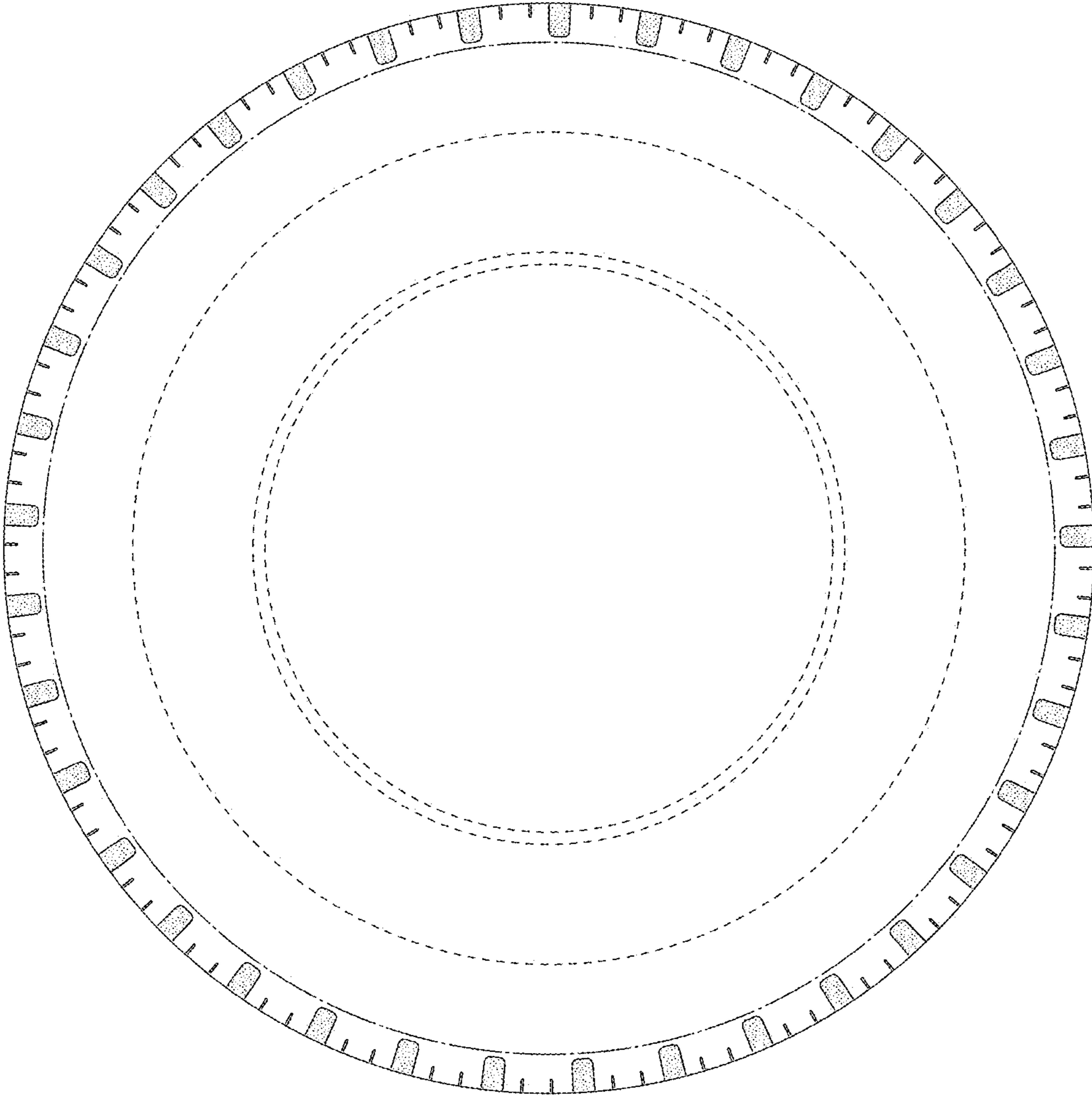
**FIG. 2**



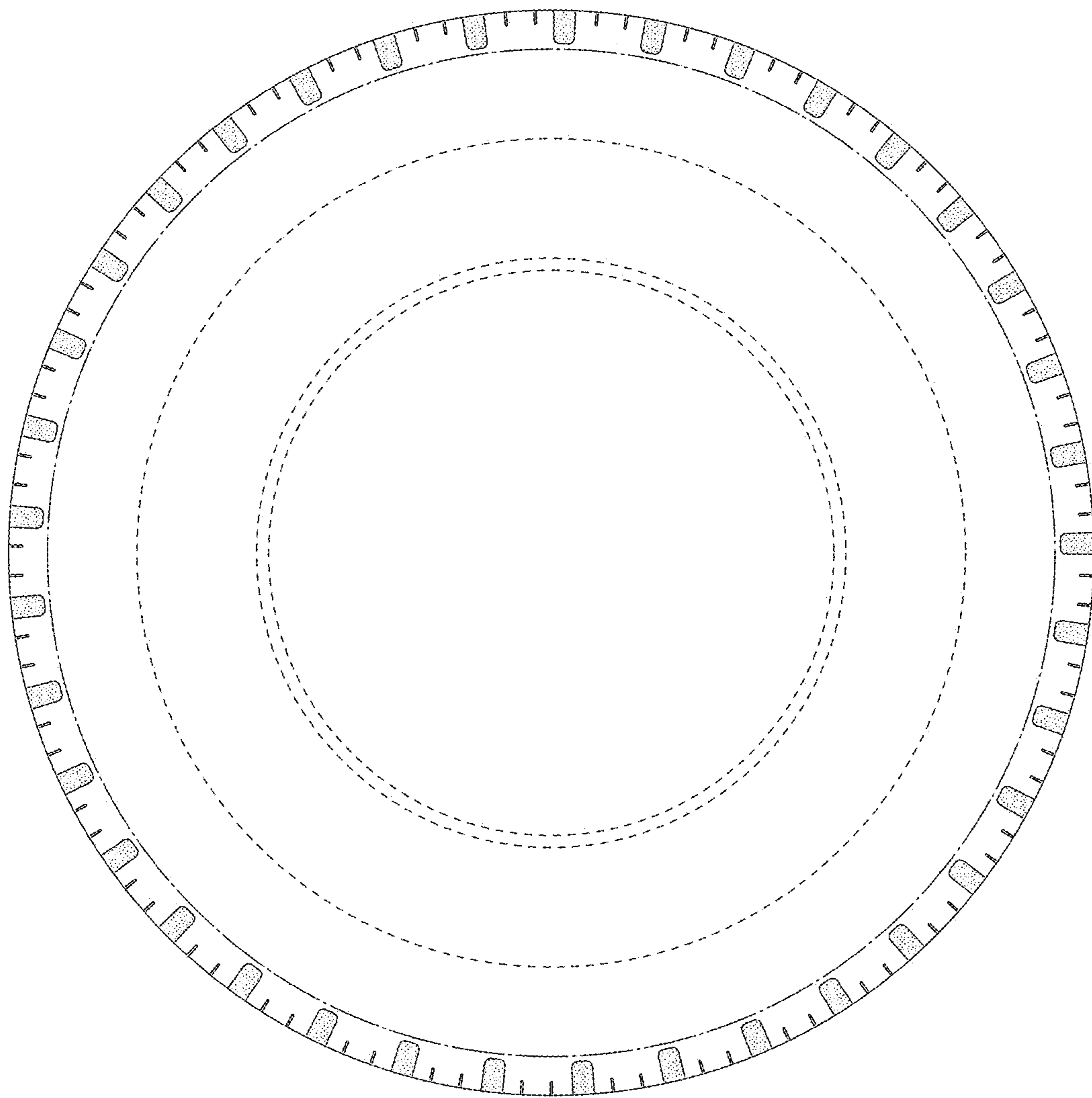
**FIG. 3**



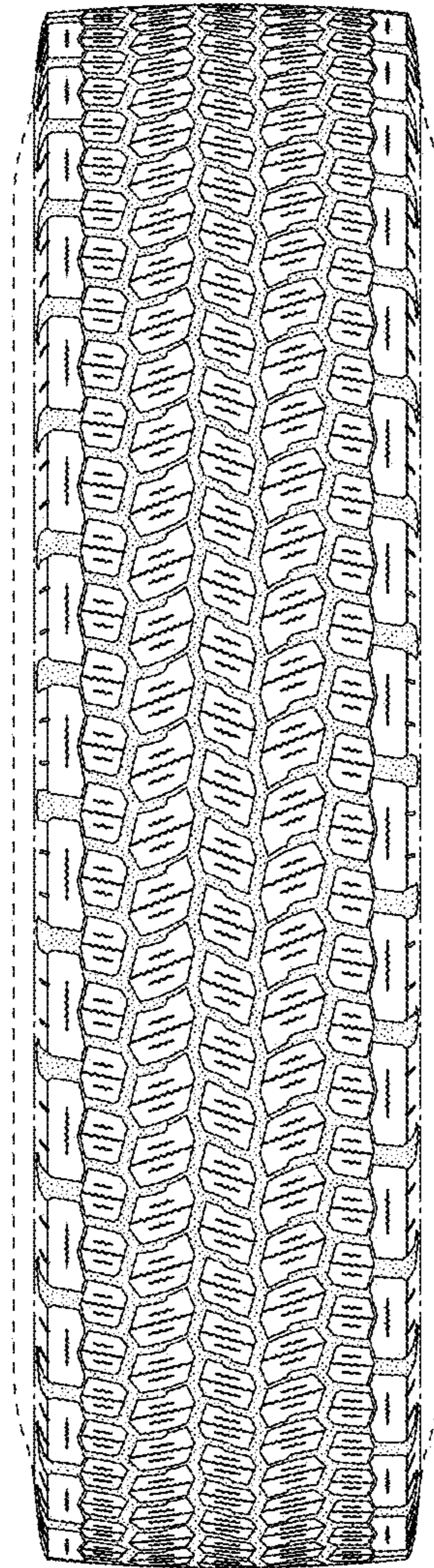
**FIG. 4**



**FIG. 5**



**FIG. 6**



**FIG. 7**

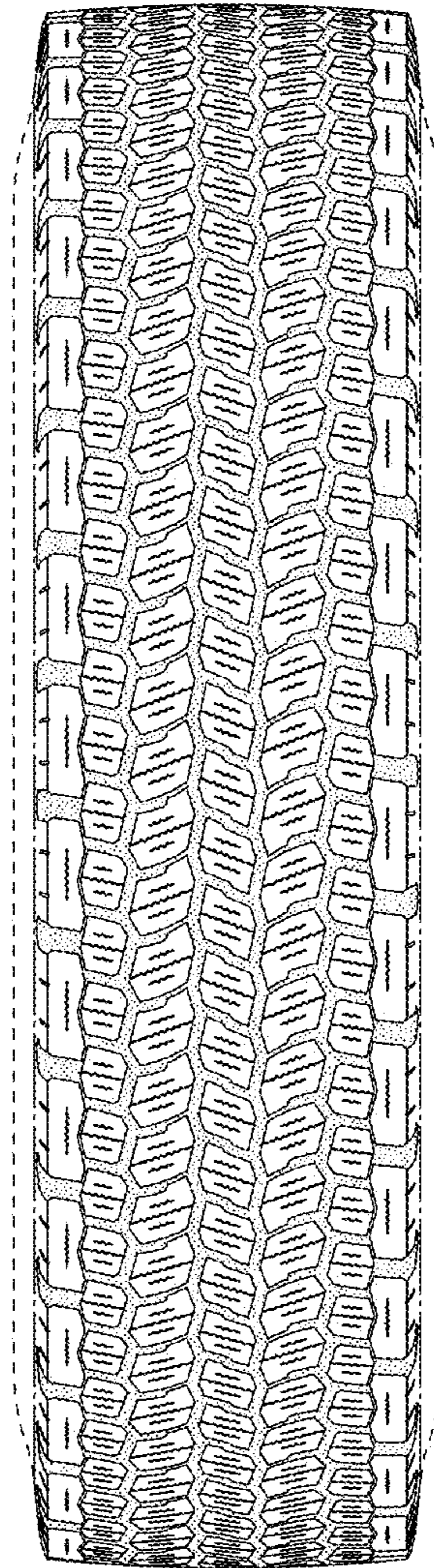




FIG. 8

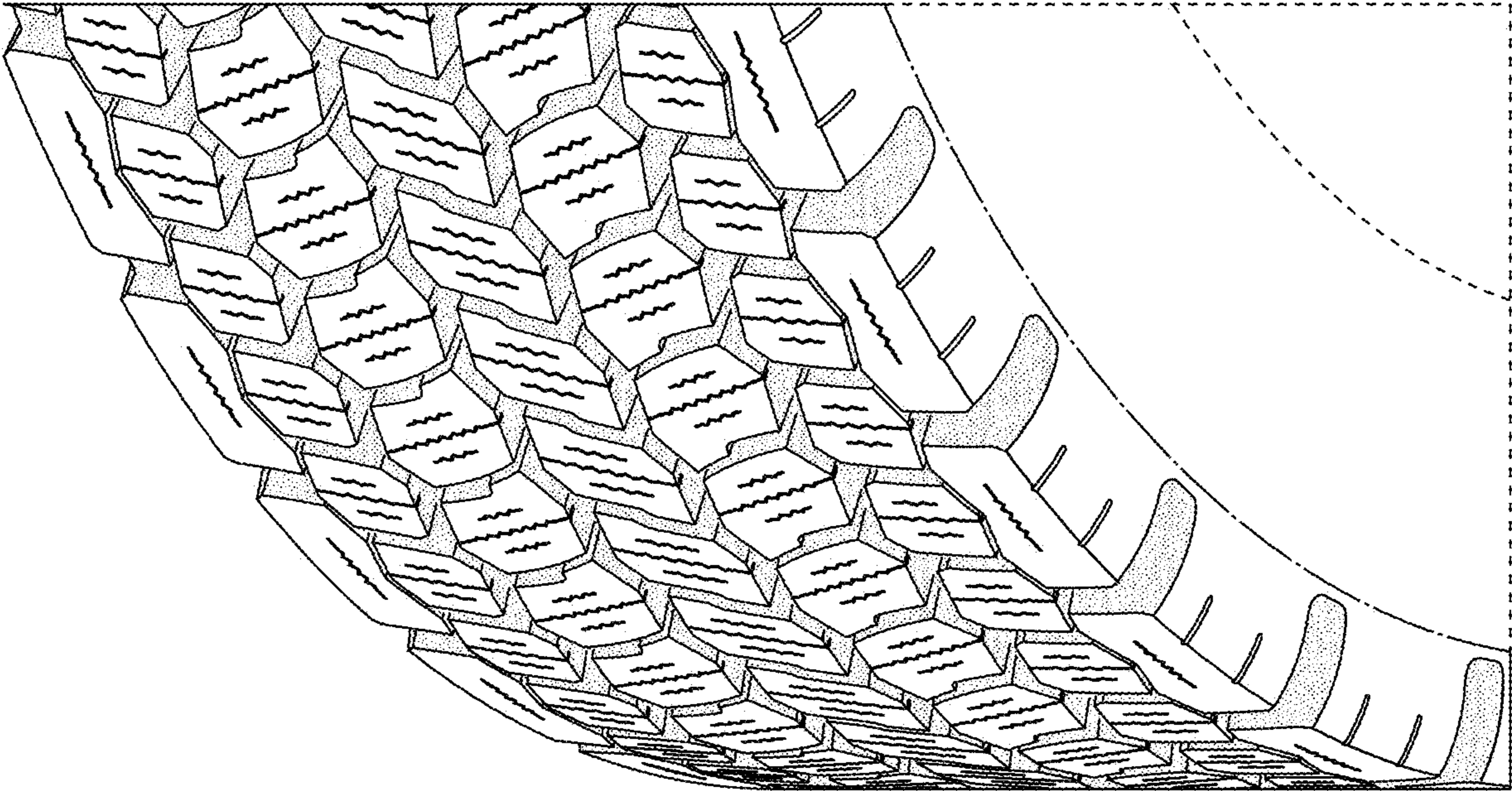
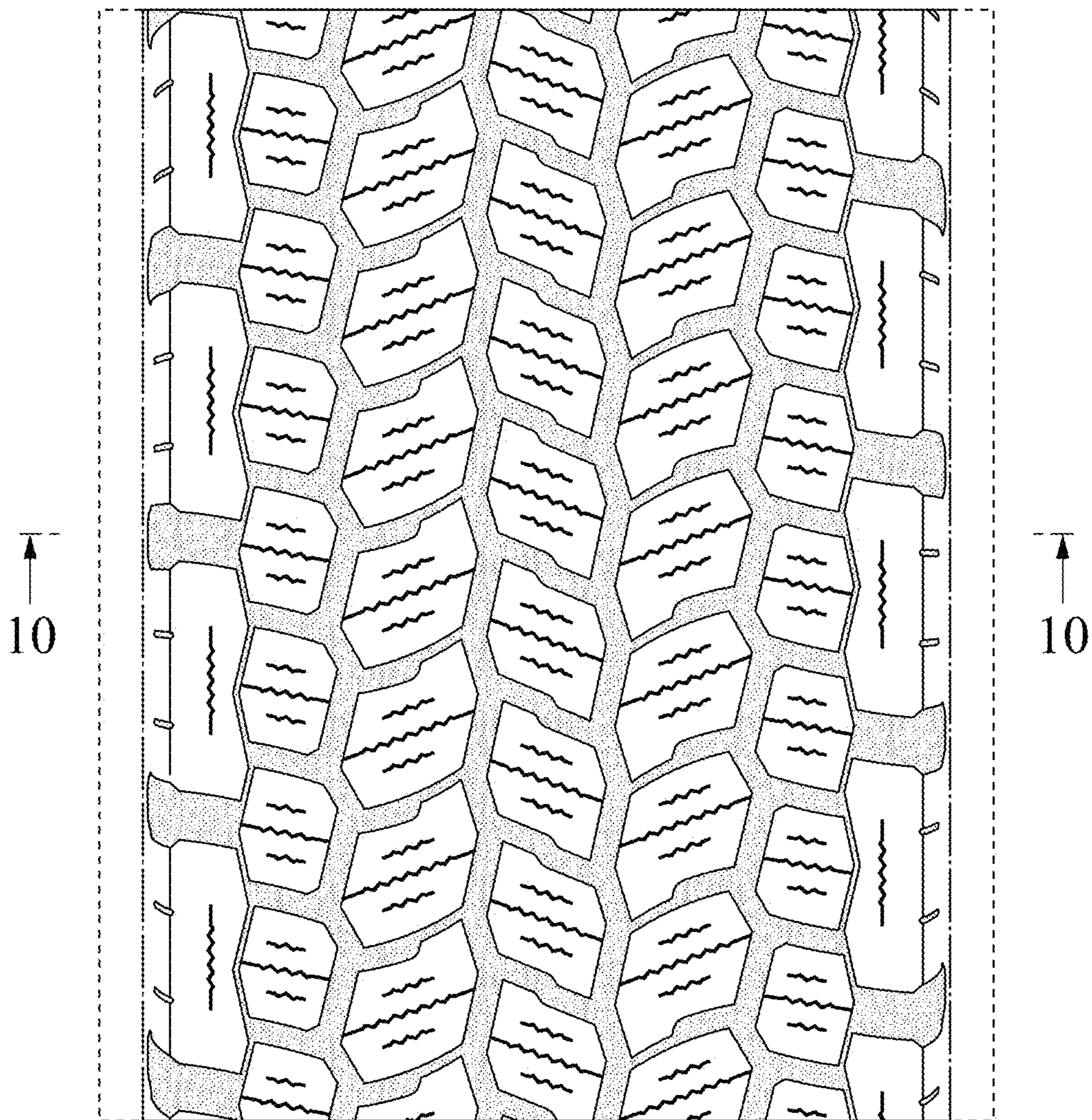


FIG. 9



**FIG. 10**

