



US00D974278S

(12) **United States Design Patent** (10) **Patent No.:** **US D974,278 S**
Sargent (45) **Date of Patent:** **** Jan. 3, 2023**

(54) **TRUCK BED TENT**
(71) Applicant: **Weave Composites**, Oceanside, CA (US)
(72) Inventor: **Nathan Thomas Sargent**, Oceanside, CA (US)

5,299,849 A 4/1994 Cook
5,333,634 A 8/1994 Taylor
5,339,851 A 8/1994 Miller
5,353,826 A 10/1994 Davis, Sr.
D397,669 S * 9/1998 Komick D12/403
(Continued)

(73) Assignee: **Weave Composites**, Oceanside, CA (US)

FOREIGN PATENT DOCUMENTS

EM 0062586790003 3/2019
EM 0062616990002 3/2019
EM 0075379560001 1/2020

(**) Term: **15 Years**

OTHER PUBLICATIONS

(21) Appl. No.: **29/834,024**

Moon Lence; Amazon.com; "Moon Lence Instant Pop Up Tent Family Camping Tent 4-5 Person Portable Tent Automatic Tent Waterproof Windproof for Camping Hiking Mountaineering" <https://www.amazon.com/MOON-LENCE-Automatic-Waterproof-Mountaineering/dp/B0827J35KL> [retrieved from the internet on Sep. 30, 2021] Dec. 1, 2019 (9 pages).

(22) Filed: **Apr. 8, 2022**

(Continued)

Related U.S. Application Data

(63) Continuation of application No. 29/810,614, filed on Oct. 6, 2021, now Pat. No. Des. 957,307.

(51) **LOC (14) Cl.** **12-16**

(52) **U.S. Cl.**
USPC **D12/403**

(58) **Field of Classification Search**
USPC D12/401-406; D6/610, 611, 596, 601, D6/602, 603, 615, 617, 621; D7/332, D7/334-337
CPC B65D 85/68; B65D 31/16; B65D 33/02; B60R 5/04; B60R 5/045; B60P 7/04
See application file for complete search history.

Primary Examiner — Katrina A Betton
(74) *Attorney, Agent, or Firm* — Esplin & Associates, PC

(57) **CLAIM**

The ornamental design for a truck bed tent, as shown and described.

DESCRIPTION

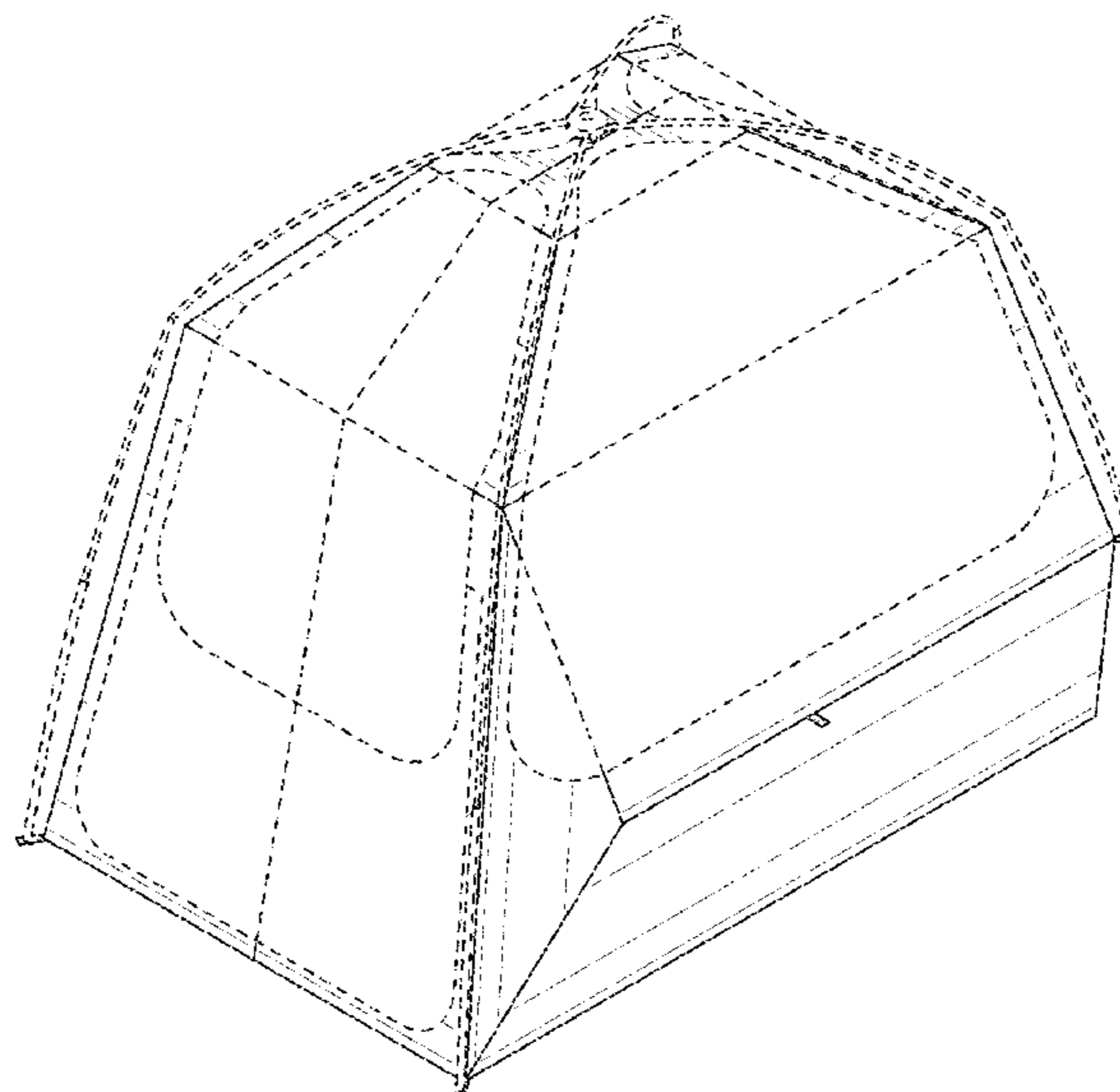
FIG. 1 is a perspective view of the truck bed tent showing an implementation of the new design, with tent windows and a door of the tent body, and the frame shown in dashed lines; FIG. 2 is a rear view thereof; FIG. 3 is a front view thereof; FIG. 4 is a top view thereof; and, FIG. 5 is a side view thereof. The portion(s) shown in broken lines form no part of the claimed design.

(56) **References Cited**

U.S. PATENT DOCUMENTS

4,263,925 A 4/1981 Arganbright
4,310,194 A 1/1982 Biller
4,332,265 A 6/1982 Baker
4,652,040 A 3/1987 Mahan
4,657,299 A 4/1987 Mahan
D324,405 S 3/1992 Cantwell
5,226,261 A 7/1993 Wilbourn
D337,979 S 8/1993 Napieraj

1 Claim, 3 Drawing Sheets



(56)

References Cited

U.S. PATENT DOCUMENTS

5,954,076 A 9/1999 McGinnis
 5,988,195 A 11/1999 Kaestner
 6,021,795 A 2/2000 Long
 D461,759 S 8/2002 Napieraj
 6,481,784 B2 11/2002 Cargill
 6,505,879 B1 1/2003 Arviso
 6,536,827 B2 3/2003 Oswald
 6,581,617 B2 6/2003 Ham
 6,616,212 B1 9/2003 Bishop
 D503,143 S * 3/2005 Napieraj D12/403
 6,905,162 B2 6/2005 Lester
 D516,497 S 3/2006 Napieraj
 7,021,694 B1 4/2006 Roberts
 D534,614 S 1/2007 Galloway
 D583,746 S * 12/2008 Napieraj D12/403
 D583,747 S * 12/2008 Napieraj D12/403
 7,677,641 B1 3/2010 Isoda
 D638,343 S 5/2011 Kramer
 D651,678 S * 1/2012 Muggleton D21/834
 8,448,656 B2 5/2013 Choi
 D691,941 S * 10/2013 Knight D12/403
 8,550,538 B1 10/2013 Brandenburg
 D695,375 S 12/2013 Jin
 D695,376 S 12/2013 Jin
 D702,791 S 4/2014 Jin
 D718,828 S 12/2014 Jin
 9,487,147 B1 11/2016 Morrill
 D780,088 S * 2/2017 Gholston D12/403
 9,624,688 B1 4/2017 Tyson
 D796,420 S * 9/2017 Abrams D12/403
 D813,782 S 3/2018 Cropley
 D820,192 S * 6/2018 Currid D12/403
 D824,322 S 7/2018 Rossi
 D838,801 S 1/2019 Chaklos
 D841,107 S 2/2019 Zhu
 D847,080 S * 4/2019 Jameson D12/403
 D858,676 S 9/2019 Xu
 D870,835 S 12/2019 Xiao
 D872,209 S 1/2020 Zhu
 D872,210 S 1/2020 Zhu
 D872,818 S 1/2020 Zhu
 D879,231 S 3/2020 Zhu
 D902,125 S 11/2020 Matras
 D902,833 S 11/2020 McGregor
 D925,686 S 1/2021 Guo
 D910,137 S 2/2021 Zhang
 D910,138 S 2/2021 Chen
 D910,795 S 2/2021 Zhu
 D931,400 S 2/2021 Mei
 D915,995 S 4/2021 Kerr
 D916,223 S 4/2021 Chen
 D921,148 S 6/2021 Xiao
 D921,811 S 6/2021 Cheng
 D926,908 S 8/2021 Wright
 D928,899 S 8/2021 Zhu

D935,378 S * 11/2021 Chen D12/403
 D938,340 S * 12/2021 Yan D12/403
 D938,890 S 12/2021 Min
 2006/0016467 A1 1/2006 Bae
 2008/0210282 A1 9/2008 Turcot
 2016/0332556 A1 11/2016 Robertson

OTHER PUBLICATIONS

Rick Stella; BusinessInsider.com; “The 4 best truck bed tents, perfect for use at a campsite or while overlanding” <https://www.businessinsider.com/best-truck-bed-tent#the-best-overall-1> [retrieved from the internet on Sep. 30, 2021] Mar. 24, 2021 (17 pages).
 InvictusEdge; “Pickup truck bed tent”; <https://www.invictusedge.com/product-page/pick-up-truck-tent> [retrieved from the internet on Sep. 30, 2021] Jun. 13, 2020 (2 pages).
 TSC Tractor Supply CO; “Napier Sportz Truck Tent for Full-Size Regular Beds, 57022”; <https://www.tractorsupply.com/tsc/product/napier-sportz-truck-tent-full-size-regular-57022> [retrieved from the internet on Sep. 30, 2021] Oct. 23, 2020 (3 pages).
 Sears.com; “North East Harbor Pickup Truck Bed Camping Tent, 2-Person Sleeping Capacity, Includes Rainfly and Storage Bag— Fits Full Size Truck with Short;” <https://www.sears.com/north-east-harbor-pickup-truck-bed-camping-tent/p-A065017098> [retrieved from the internet on Sep. 30, 2021] Oct. 20, 2020 (6 pages).
 Nanjing Adaize Trade Co., Ltd.; Made-in-China.com; “Wholesale Cheap and Best SUV Tent, Pickup Truck Tent” <https://njadai.en.made-in-china.com/product/nBjmCXsukdVP/China-Wholesale-Cheap-and-Best-SUV-Tent-Pickup-Truck-Tent.html> [retrieved from the internet on Sep. 30, 2021] Mar. 2, 2021 (2 pages).
 Joy Tutus; 2 People Portable Pickup Truck Tent (5.5'-6') <https://www.joytutus.com/products/portable-pickup-truck-tent-waterproof-for-camping?variant=39373435535475> [retrieved from the internet on Sep. 30, 2021] Jun. 17, 2021 (9 pages).
 Tru Vick; Truck Enthusiasts; “Top 7 Best Truck Tents—2021 Complete Reviews & Buying Guide” <https://trucksenthusiasts.com/best-truck-bed-tents-buying-guide/> [retrieved from the internet on Oct. 6, 2021] Jan. 5, 2021 (51 pages).
 Alibaba.com; “Naturehike P-Series upgrade UPF 50+ zelt barraca 2 3 4 Man Tent waterproof Family foldable tents camping outdoor”; https://www.alibaba.com/product-detail/Naturehike-P-Series-upgrade-UPF-50_60478800140.html?spm=a2700.galleryofferlist.normal_offer.d_image.348774c6PGBTim [retrieved from the internet on Oct. 6, 2021] 2016 (15 pages).
 Alibaba; “1 Person Folding Off The Ground Camping Sleeping Bed tent cot,Camping cot Bed Tent,CZ-336 Camping tent build on cot or use alone”; https://www.alibaba.com/product-detail/1-Person-Folding-Off-The-Ground_62186920981.html?spm=a2700.galleryofferlist.normal_offer.d_image.348774c6PGBTim [retrieved from the internet on Oct. 6, 2021] Aug. 16, 2018 (19 pages).
 Chicago Tribune—Pioneer Press Gifts for the Adventure Lover; Nov. 22, 2018 (1 page).

* cited by examiner

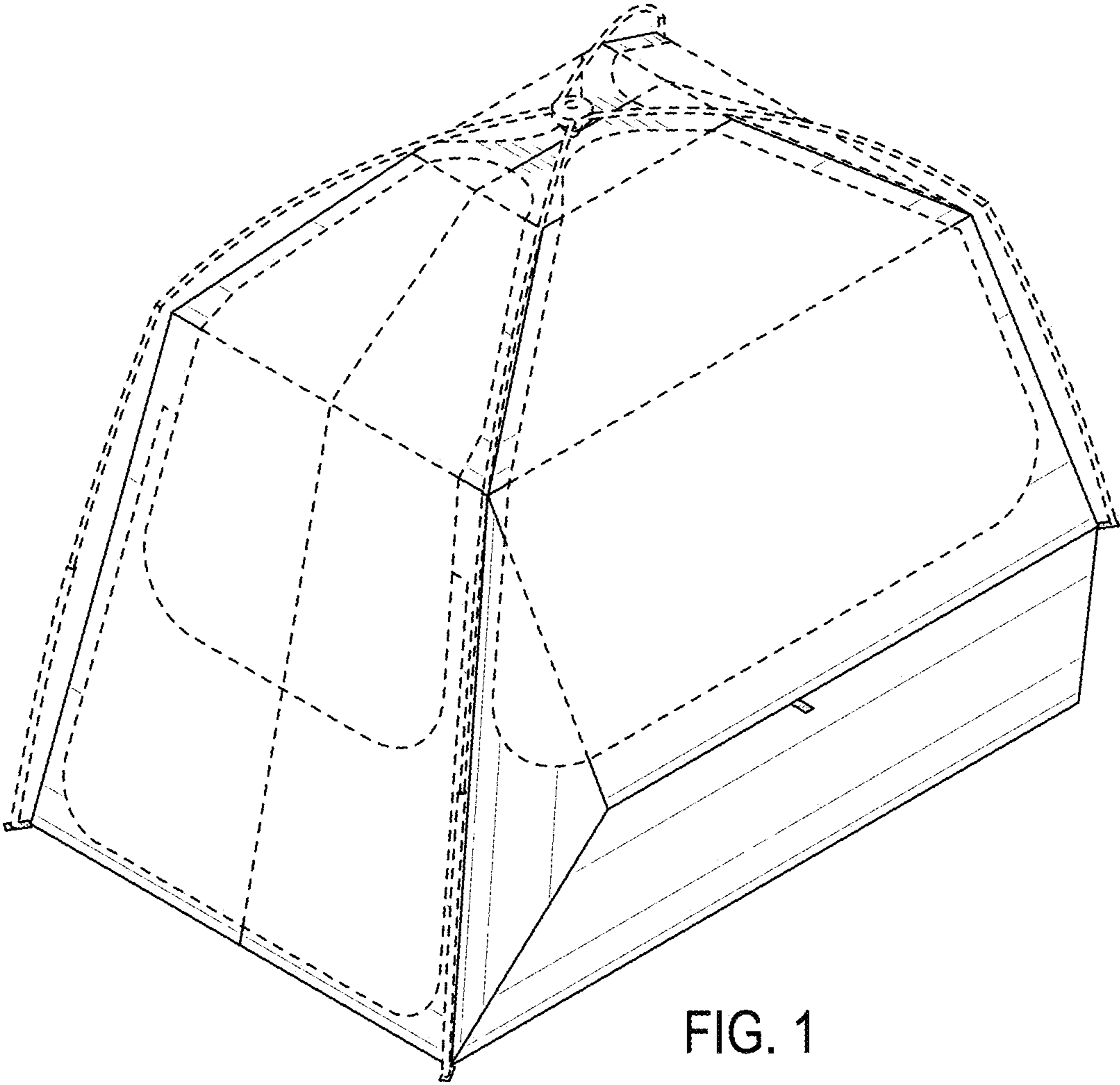


FIG. 1

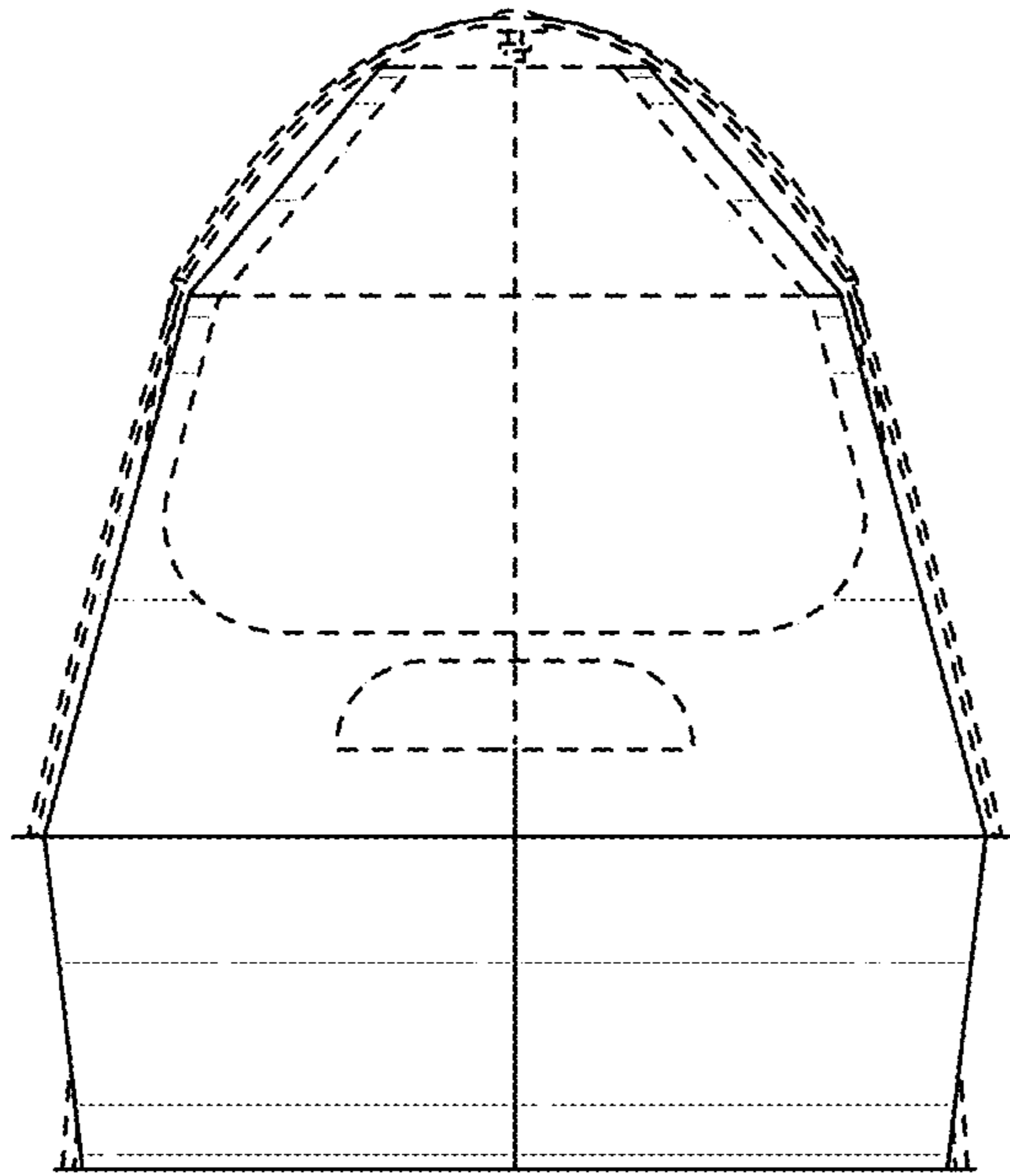


FIG. 2

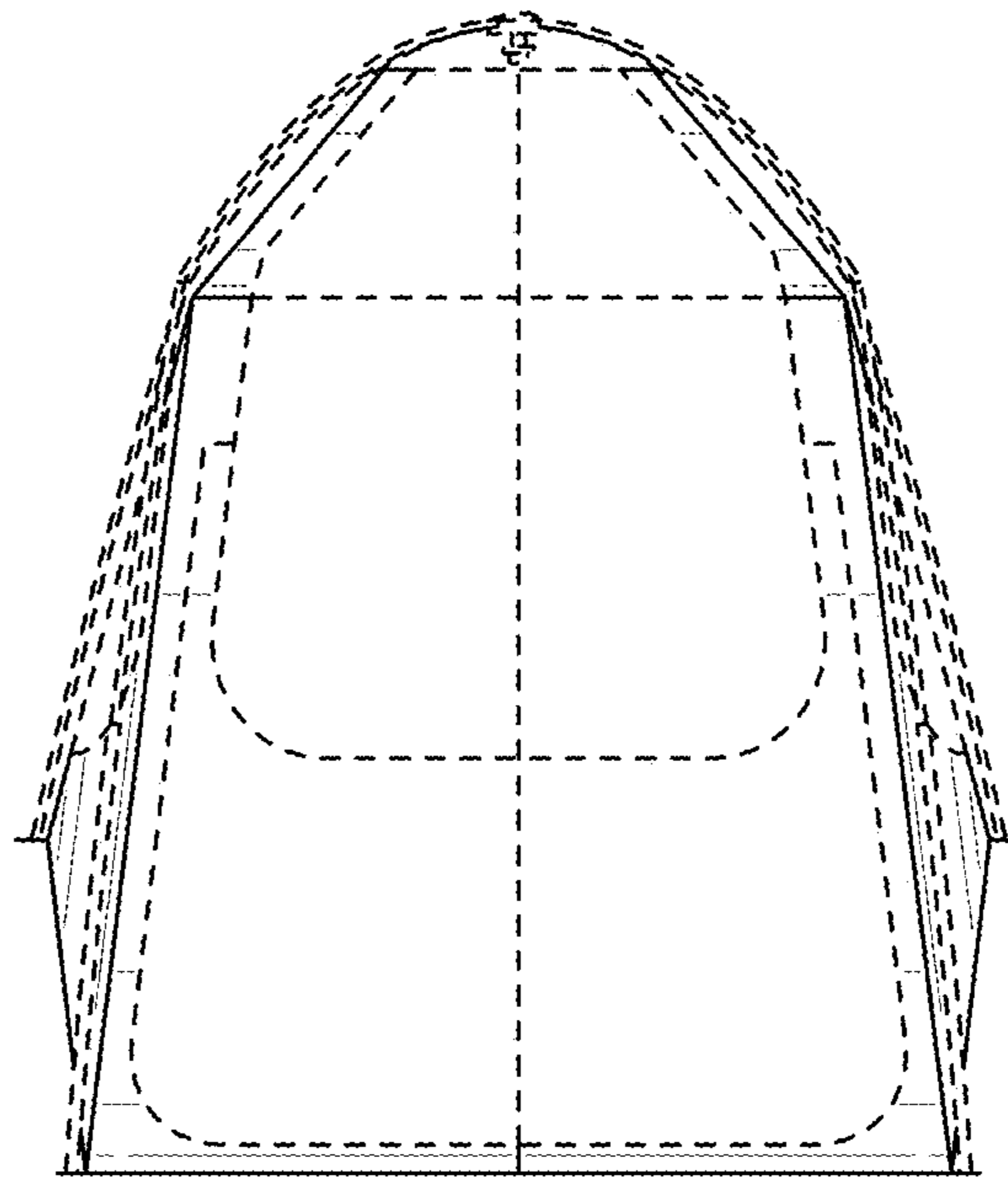


FIG. 3

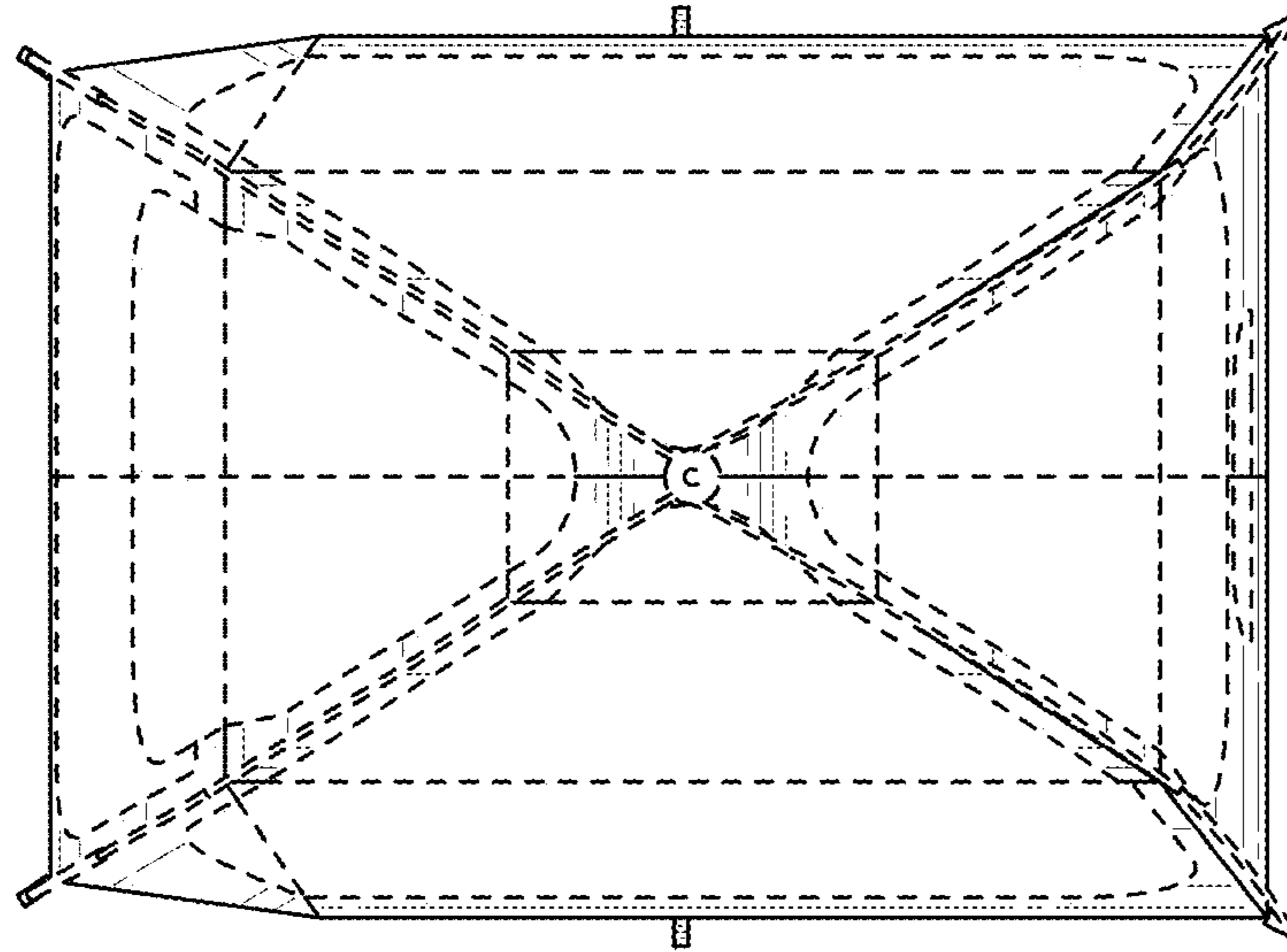


FIG. 4

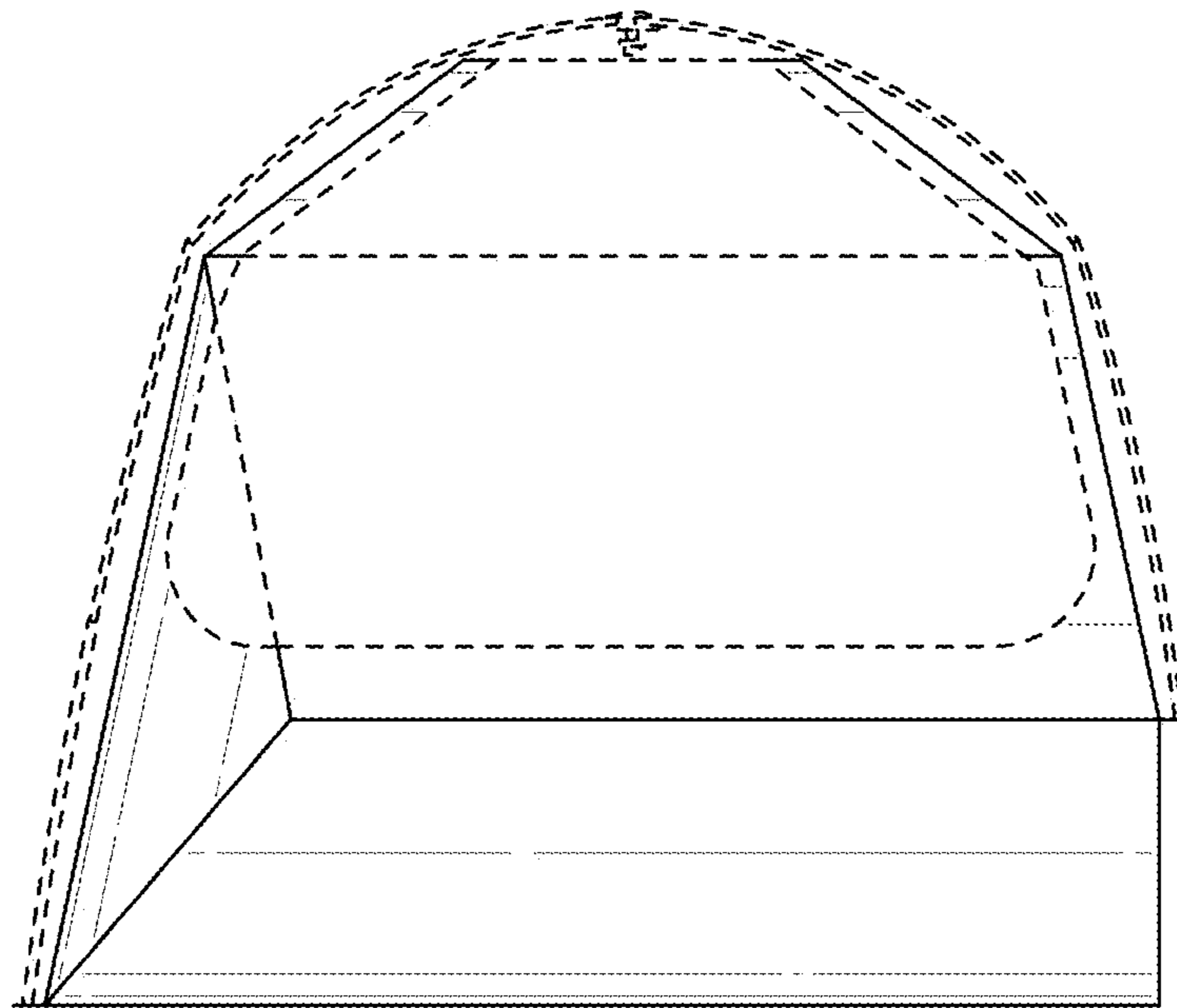


FIG. 5