



US00D974276S

(12) **United States Design Patent**
Kooiman et al.

(10) **Patent No.:** **US D974,276 S**
(45) **Date of Patent:** **** Jan. 3, 2023**

- (54) **AIRCRAFT SPINNER**
- (71) Applicant: **Bell Helicopter Textron Inc.**, Fort Worth, TX (US)
- (72) Inventors: **James E. Kooiman**, Fort Worth, TX (US); **Lynn F. Eschete**, Arlington, TX (US); **Kyle T. Cravener**, Watauga, TX (US)
- (73) Assignee: **Textron Innovations, Inc.**, Providence, RI (US)
- (**) Term: **15 Years**
- (21) Appl. No.: **29/670,370**
- (22) Filed: **Nov. 15, 2018**
- (51) **LOC (14) Cl.** **12-07**
- (52) **U.S. Cl.**
USPC **D12/345**
- (58) **Field of Classification Search**
USPC D12/1-4, 16.1, 319-345, 400, 159, 160, D12/190, 196, 203; D21/436-453
CPC B64C 27/20; B64C 2201/024; B64C 2201/104; B64C 2201/021; B64C 2201/141
See application file for complete search history.

D388,392 S 12/1997 McGinnis
D394,422 S 5/1998 Magee
D399,816 S 10/1998 Peacock
(Continued)

OTHER PUBLICATIONS

Bill Carey, "Bell Unveils 'Vigilant' Unmanned Tiltrotor for U.S. Marine Corps;" Sep. 22, 2016.
(Continued)

Primary Examiner — Marissa J Cash
(74) *Attorney, Agent, or Firm* — Timmer Law Group, PLLC

(57) **CLAIM**

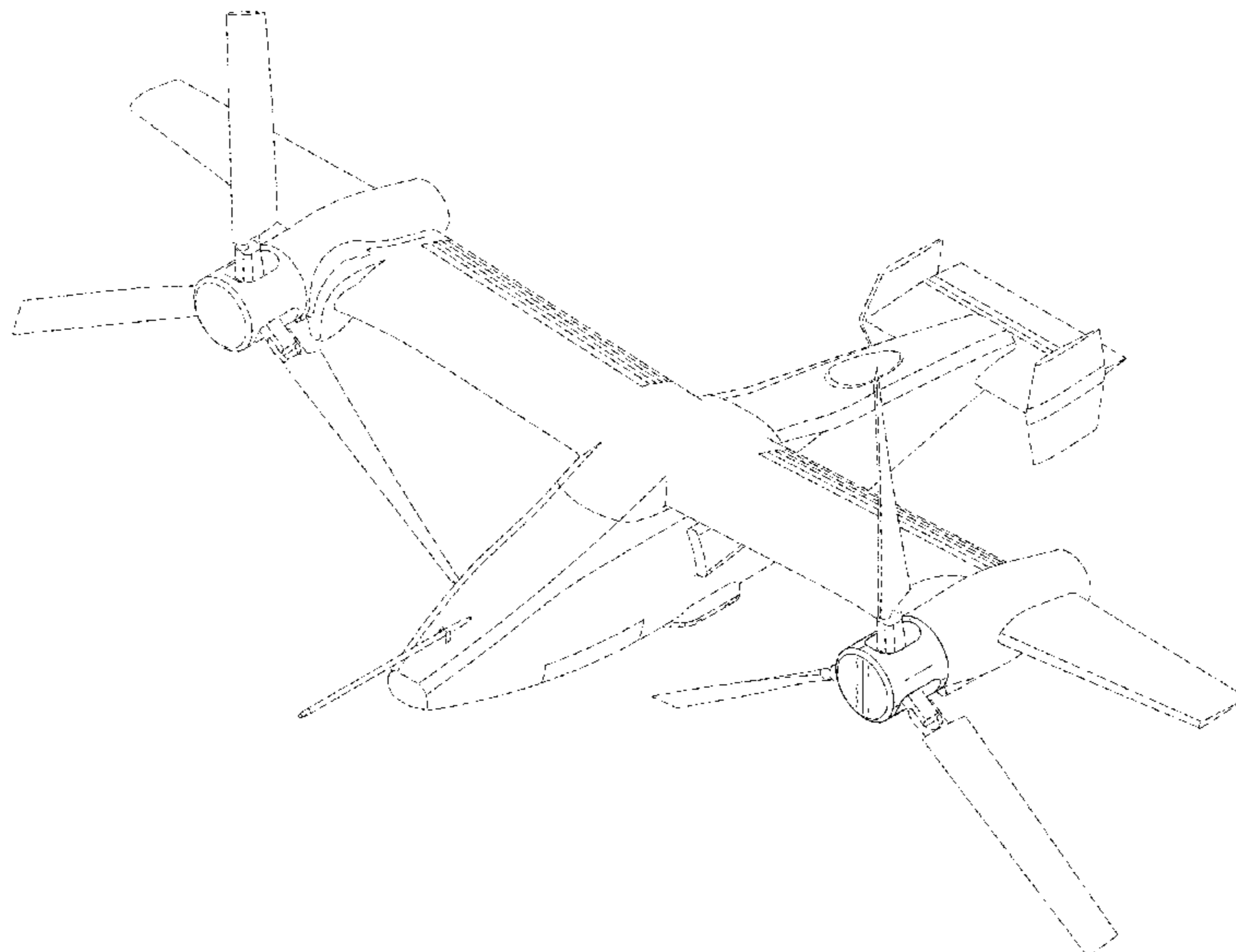
The ornamental design for an aircraft spinner, substantially as shown and described.

DESCRIPTION

FIG. 1 is a front perspective view of an aircraft spinner shown with the environmental rotor nacelles facing forward; FIG. 2 is a front elevational view of the aircraft spinner in FIG. 1; FIG. 3 is a rear elevational view thereof; FIG. 4 is a right side view thereof; FIG. 5 is a left side view thereof; FIG. 6 is a top view thereof; FIG. 7 is a bottom view thereof; FIG. 8 is a front perspective view of the aircraft spinner in FIG. 1 shown with the environmental rotor nacelles facing upward; FIG. 9 is a front elevational view of the aircraft spinner in FIG. 8; FIG. 10 is a rear elevational view thereof; FIG. 11 is a right side view thereof; FIG. 12 is a left side view thereof; FIG. 13 is a top view thereof; and, FIG. 14 is a bottom view thereof.
The broken lines illustrate environmental subject matter only and form no part of the claimed design.

1 Claim, 14 Drawing Sheets

- (56) **References Cited**
U.S. PATENT DOCUMENTS
D128,173 S 7/1941 Oliver
D140,130 S 1/1945 Walter
D195,794 S 7/1963 Dancik
D203,523 S 1/1966 Girard
D311,719 S 10/1990 Haga
D317,287 S 6/1991 Haga
D317,897 S 7/1991 Antonov
5,031,858 A 7/1991 Schellhase
5,054,716 A 10/1991 Wilson



(56)

References Cited

U.S. PATENT DOCUMENTS

D428,072 S * 7/2000 Wang D21/445
 D443,902 S * 6/2001 Wang D21/445
 D456,337 S 4/2002 Sankrithi
 D459,406 S * 6/2002 Wang D21/445
 D459,407 S * 6/2002 Wang D21/445
 D460,126 S * 7/2002 Zweiback D21/398
 D462,728 S * 9/2002 Wang D21/445
 D597,148 S 7/2009 Lin
 7,604,202 B2 10/2009 Froman
 D624,001 S 9/2010 Saint-Jalmes
 D628,528 S 12/2010 Cabezas Carrasco
 D635,083 S 3/2011 DeLaurier
 D691,547 S 10/2013 Hall
 8,626,363 B2 1/2014 Kisor
 D706,678 S 6/2014 Earon
 D708,563 S 7/2014 Colten
 D713,774 S 9/2014 Tritschler
 D725,548 S 3/2015 Herald
 D725,576 S 3/2015 Vickers
 D725,577 S 3/2015 Vickers
 D731,394 S * 6/2015 Ivans D12/345
 9,051,046 B2 6/2015 Ivans
 D739,335 S 9/2015 Robertson
 D739,807 S 9/2015 Strand
 D743,868 S 11/2015 Cummings
 D755,702 S 5/2016 Hall
 9,376,206 B2 6/2016 Ross
 D763,733 S 8/2016 Gattelli
 9,650,128 B2 5/2017 Fenny
 9,657,816 B2 * 5/2017 Burnett F16C 27/063
 9,663,225 B1 5/2017 Kooiman
 D797,641 S 9/2017 Cummings
 D799,402 S 10/2017 Cummings
 D807,273 S 1/2018 Koppenwallner
 D808,328 S * 1/2018 Ivans D12/328
 D809,970 S 2/2018 Zhou
 D810,621 S * 2/2018 Sadek D12/16.1
 D813,143 S 3/2018 Belik
 D824,320 S 7/2018 Ivans
 D824,321 S 7/2018 Ivans
 D909,949 S * 2/2021 Williams D12/326
 D913,905 S * 3/2021 Zhang D12/327
 D913,906 S * 3/2021 Zhang D12/327
 11,077,937 B1 * 8/2021 Bruell B64C 3/385
 2010/0209242 A1 * 8/2010 Popelka F16F 15/14
 416/1
 2012/0043413 A1 2/2012 Smith

2012/0199699 A1 8/2012 Isaac
 2012/0292456 A1 11/2012 Hollimon
 2013/0153708 A1 6/2013 Brunken
 2014/0084080 A1 3/2014 Robertson
 2014/0263855 A1 9/2014 Ross
 2014/0322010 A1 10/2014 Rauber
 2015/0048213 A1 2/2015 Ross
 2016/0023752 A1 1/2016 Foskey
 2016/0122039 A1 5/2016 Ehinger
 2016/0152329 A1 6/2016 Tzeng
 2016/0207611 A1 7/2016 Fenny
 2016/0229531 A1 8/2016 Robertson
 2016/0333797 A1 11/2016 Laramee
 2016/0340038 A1 11/2016 Chavez
 2016/0347479 A1 12/2016 O'Neil
 2017/0036753 A1 2/2017 Shue
 2017/0121029 A1 5/2017 Blyth
 2017/0137122 A1 5/2017 Kooiman
 2017/0190443 A1 7/2017 Fisher
 2017/0291719 A1 10/2017 Lavine
 2017/0355460 A1 12/2017 Shannon
 2018/0079482 A1 3/2018 Ivans
 2018/0079484 A1 3/2018 Ross
 2018/0079503 A1 * 3/2018 Ivans B64D 27/02

OTHER PUBLICATIONS

Richard Whittle, "Month After Use, Bell Unveils V-247 Vigilant Tiltrotor Drone;" Sep. 22, 2016.
 Notice of Allowance, dated Jun. 21, 2017, by the USPTO, re Design U.S. Appl. No. 29/577,578.
 Notice of Allowance, dated Sep. 20, 2017, by the USPTO, re Design U.S. Appl. No. 29/577,578.
 Notice of Allowance, dated Jun. 8, 2018, by the USPTO, re Design U.S. Appl. No. 29/628,801.
 Notice of Allowance, dated Jun. 8, 2018, by the USPTO, re Design U.S. Appl. No. 29/628,827.
 Office Action, dated Sep. 7, 2018, by the USPTO, re Design U.S. Appl. No. 29/628,792.
 Final Rejection, dated Feb. 25, 2019, by the USPTO, re Design U.S. Appl. No. 29/628,792.
 DefenseNews; Video: Check out Bell's V-247 Vigilant at Modern Day Marine; Sep. 15, 2018; <https://www.defensenews.com/video/2018/09/25/check-out-bells-v-247-vigilant-at-modern-day-marine/>.

* cited by examiner

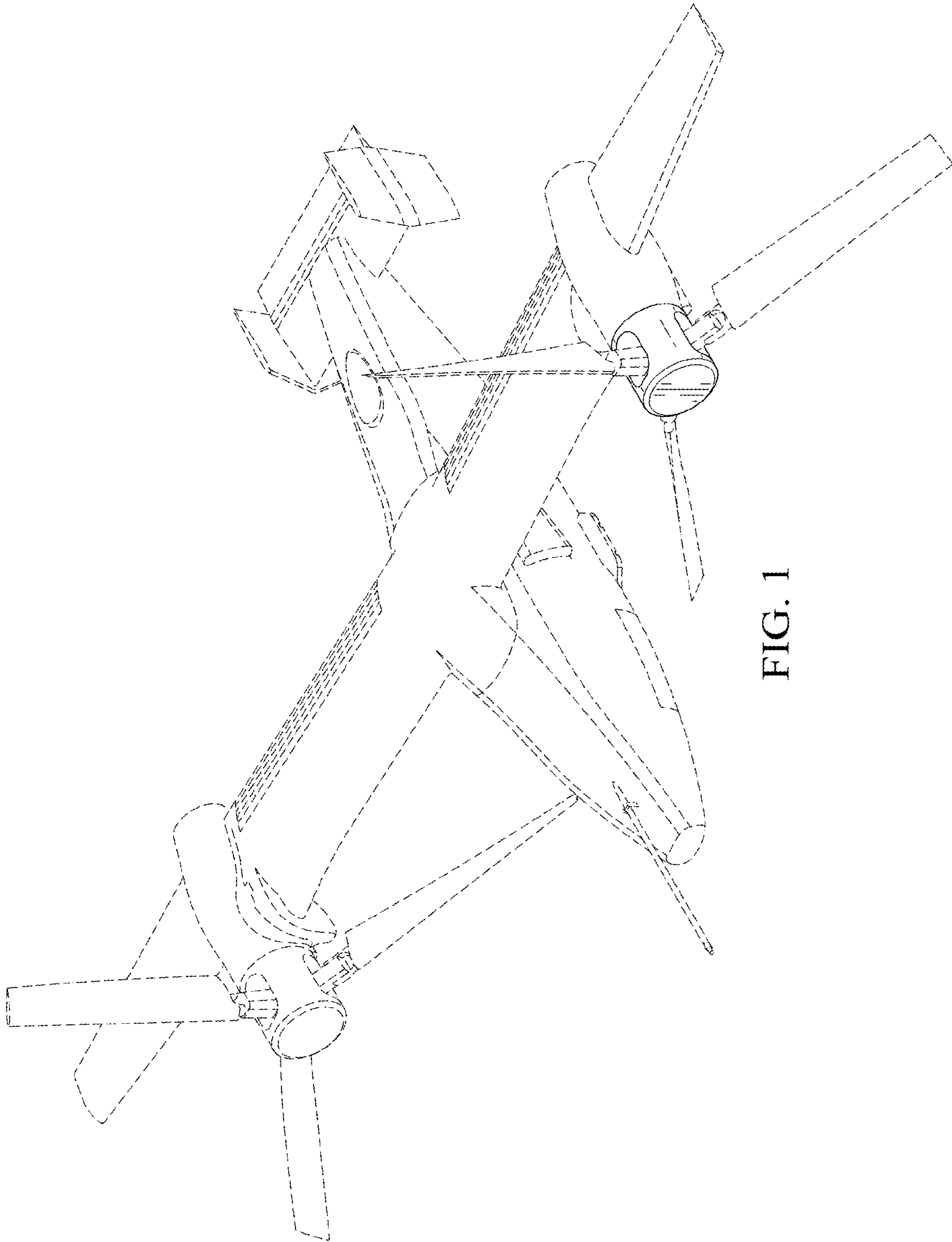


FIG. 1

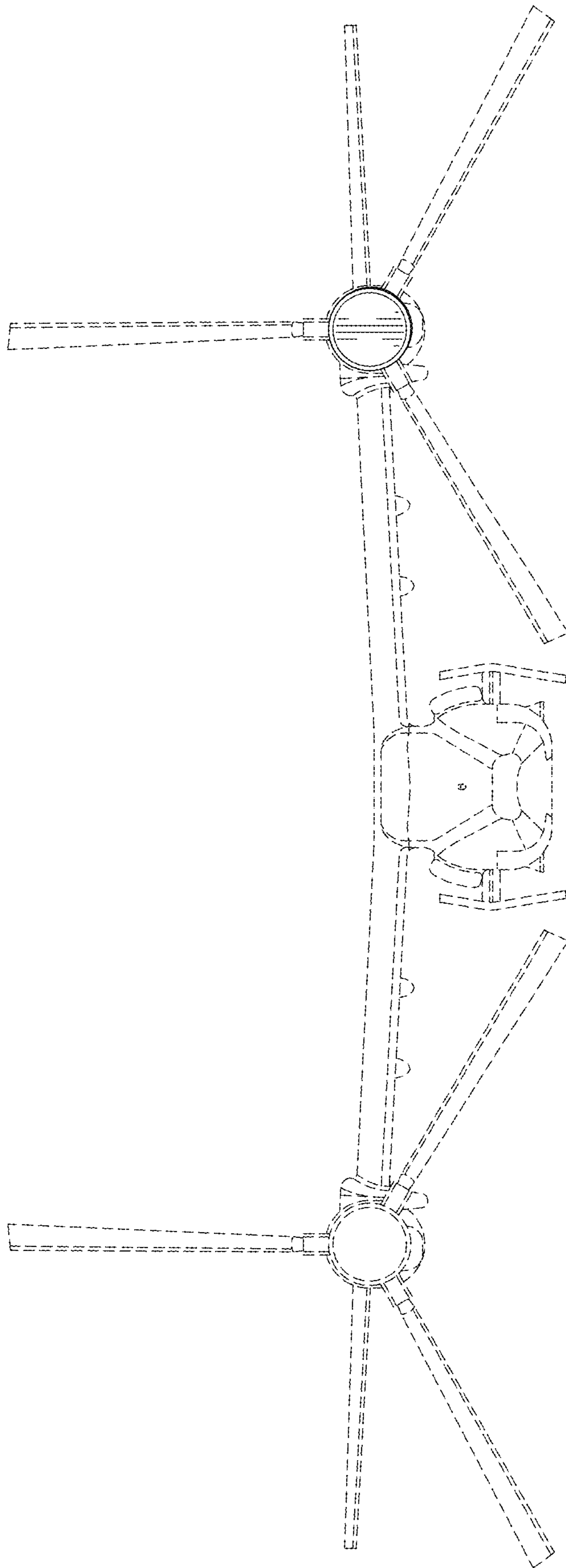


FIG. 2

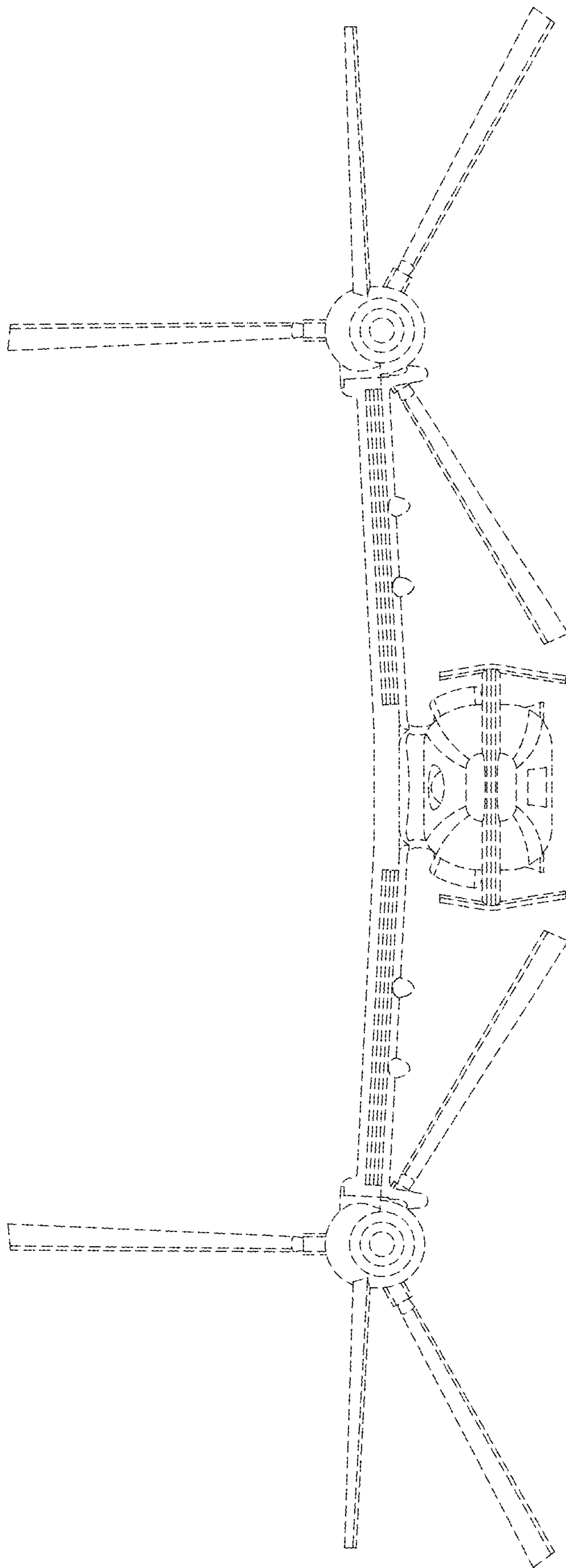


FIG. 3

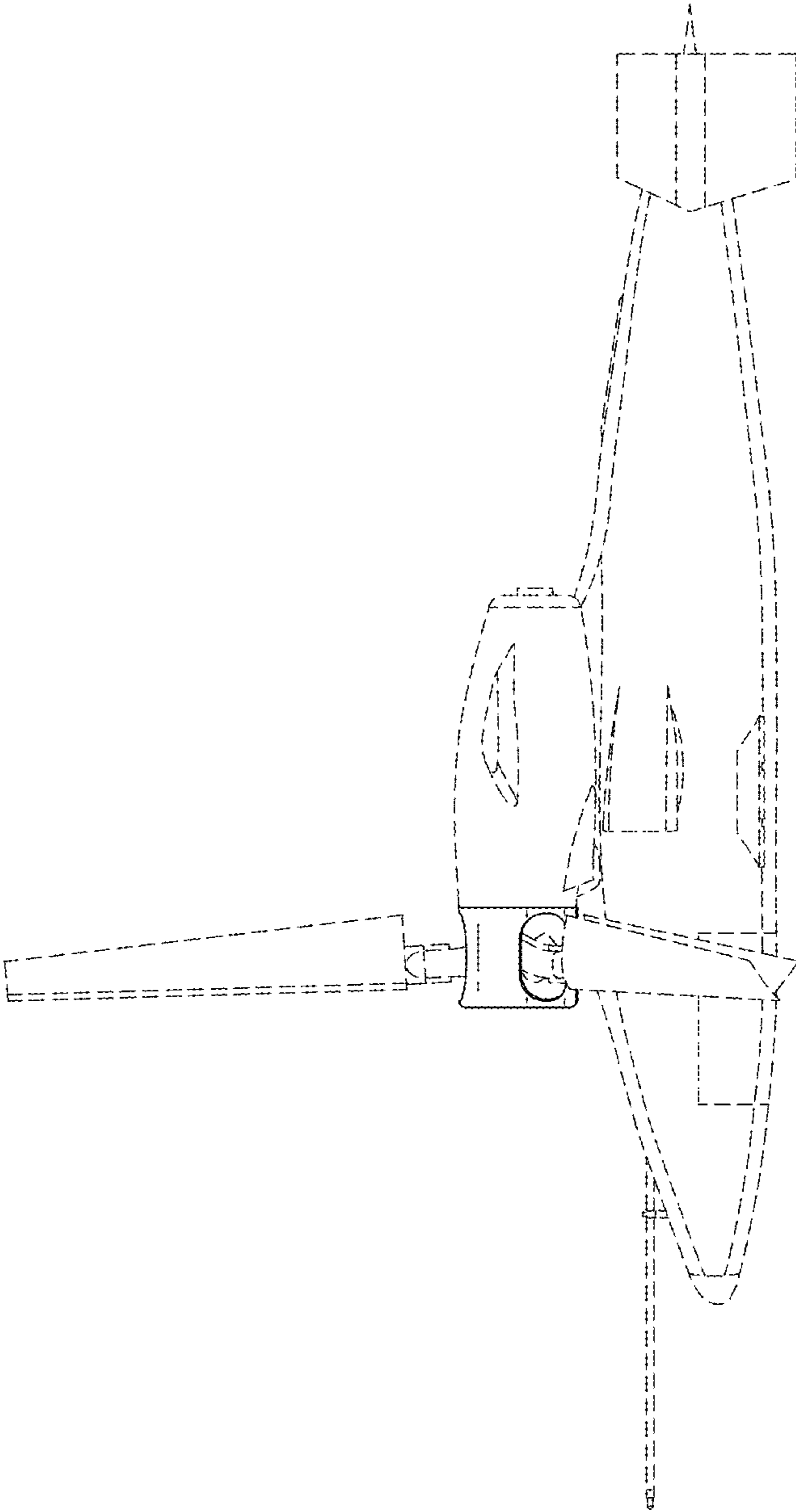


FIG. 4

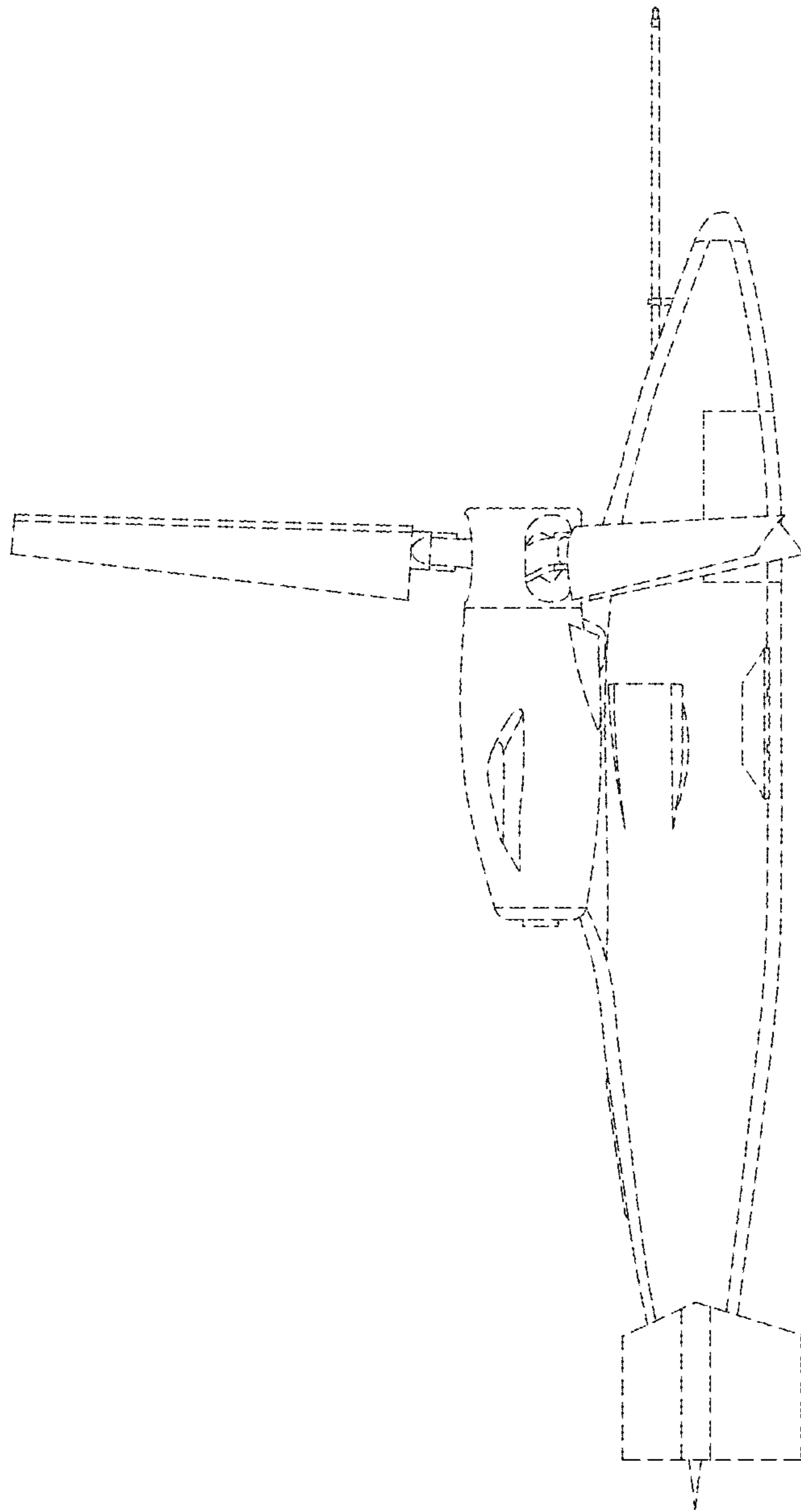


FIG. 5

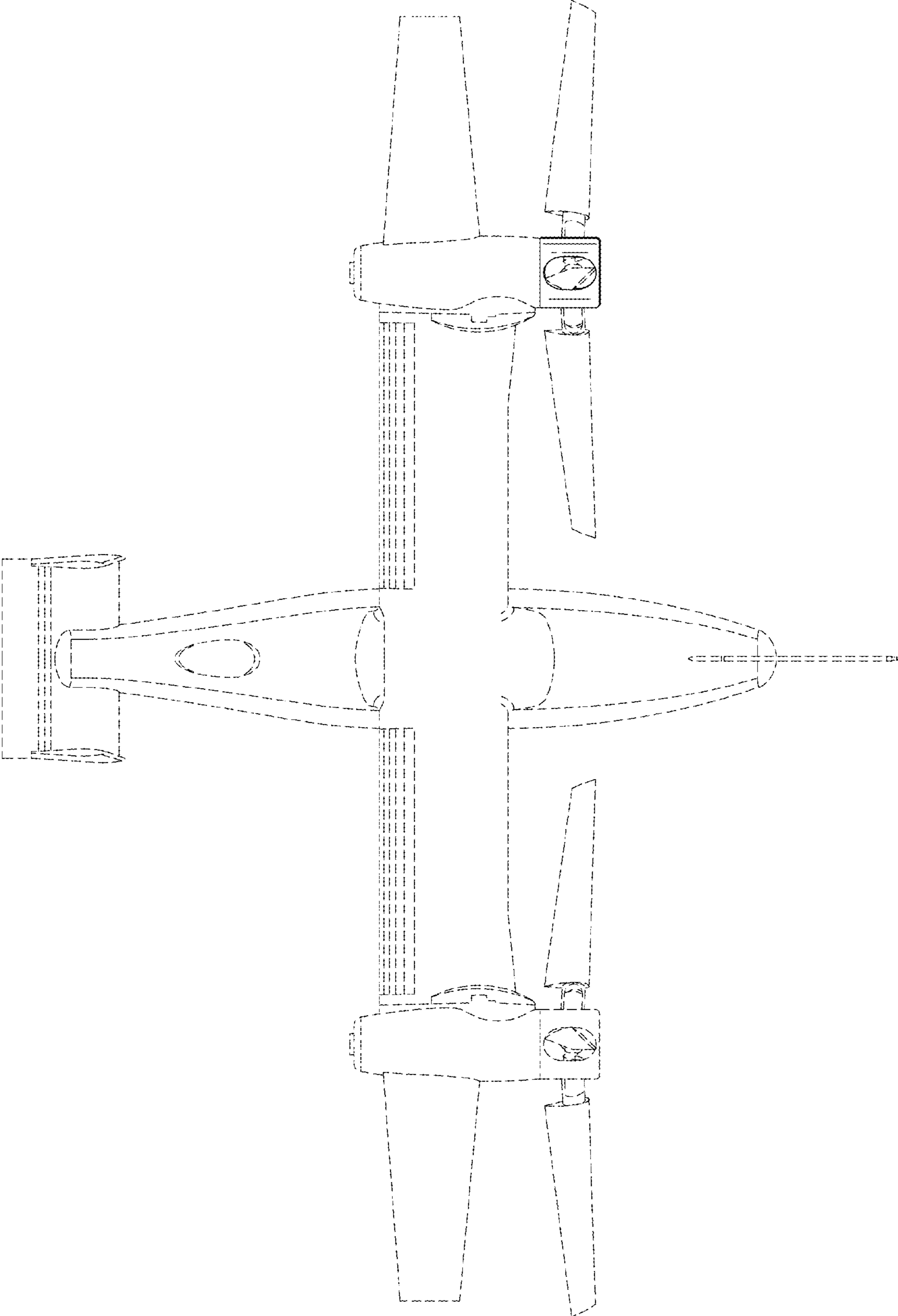


FIG. 6

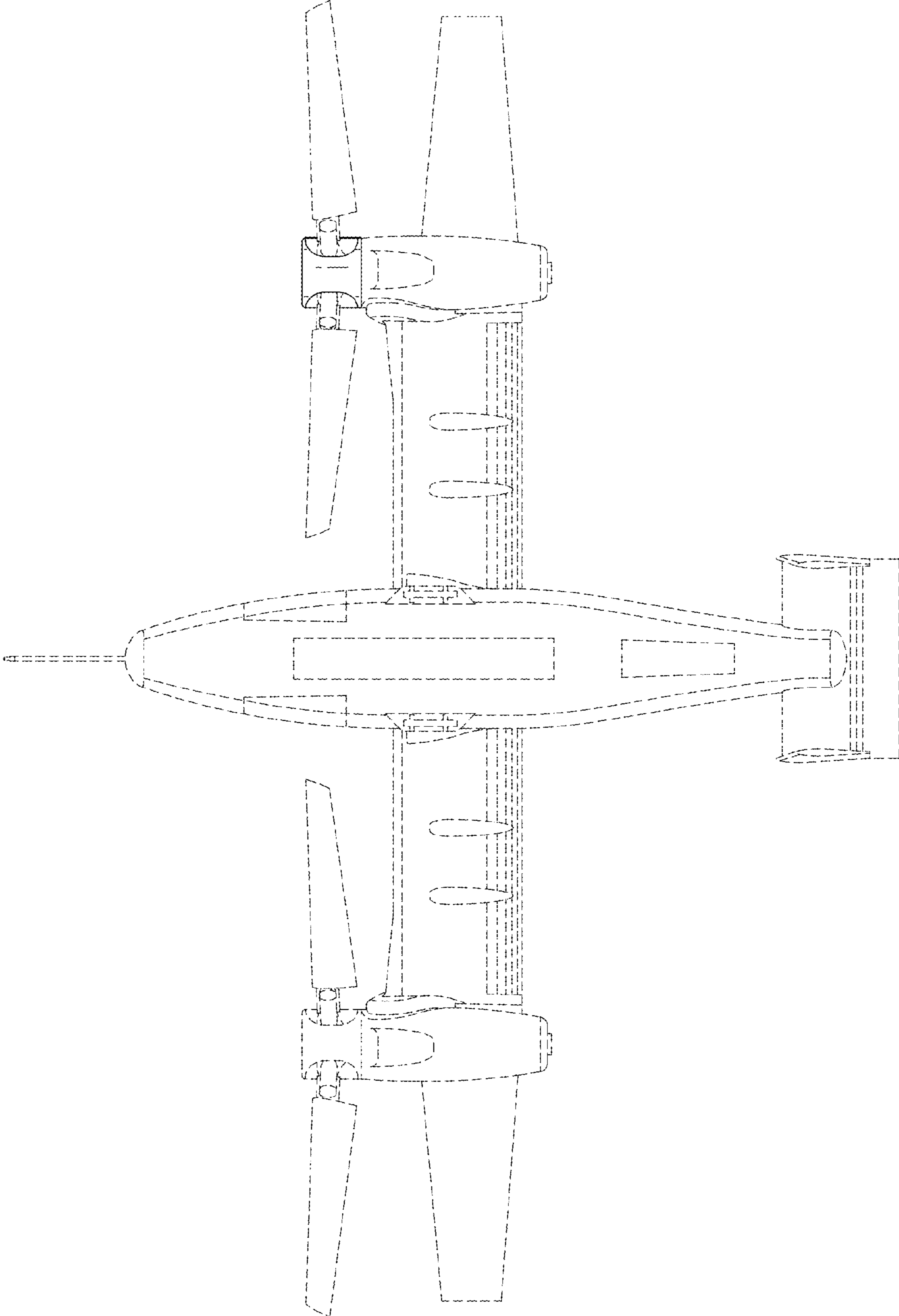


FIG. 7

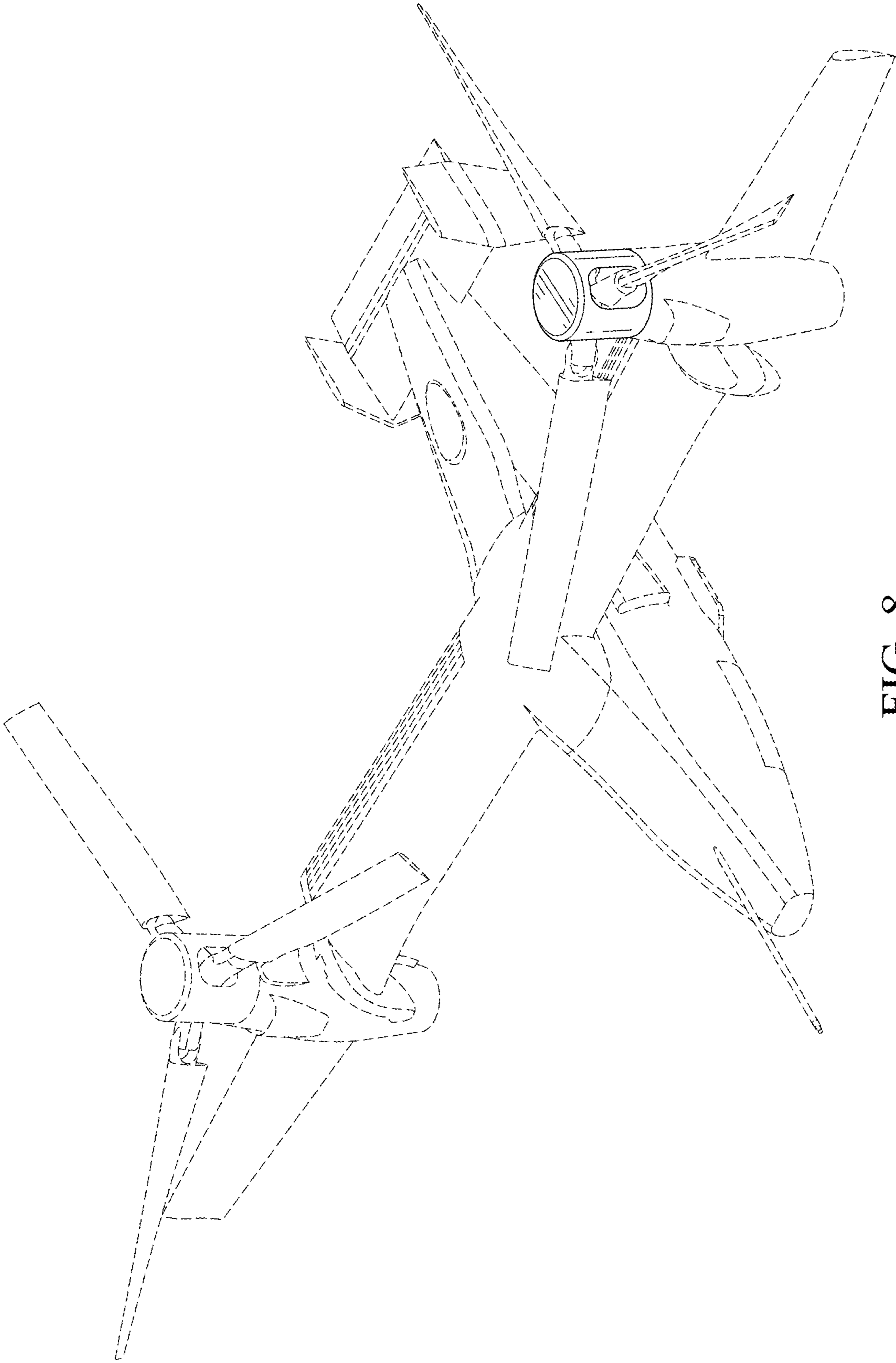


FIG. 8

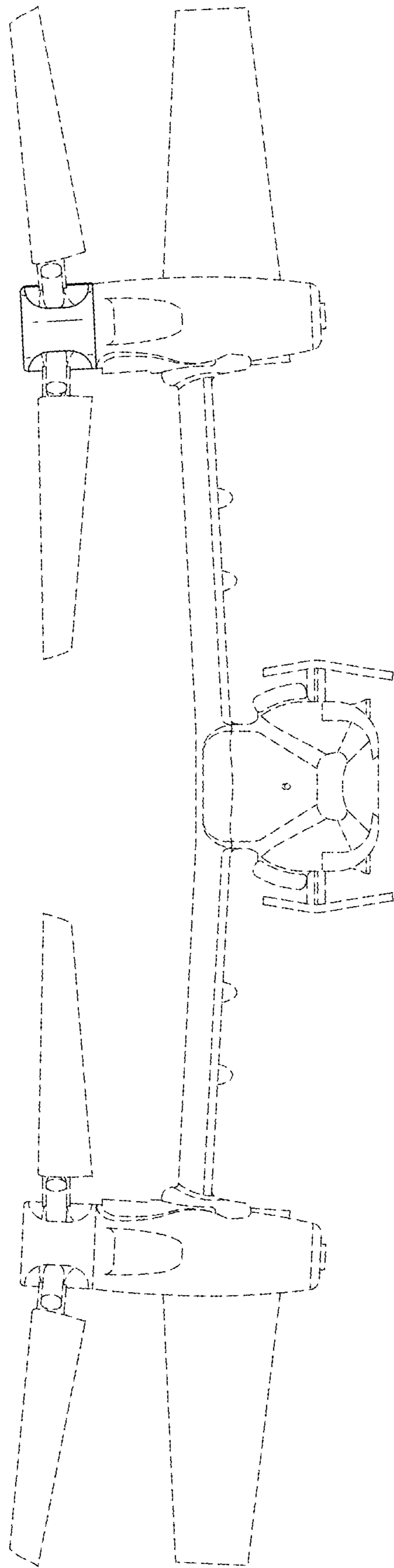


FIG. 9

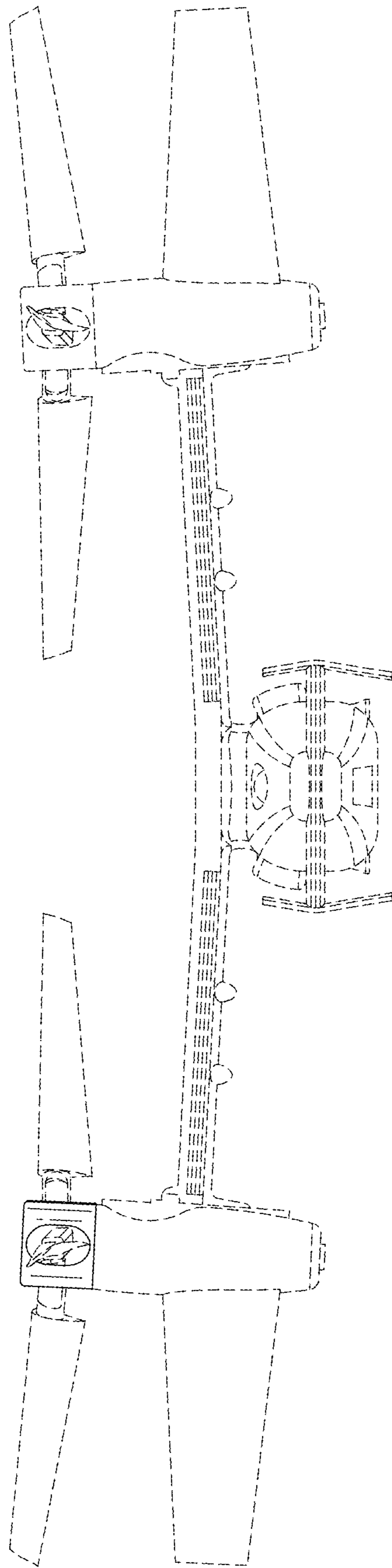


FIG. 10

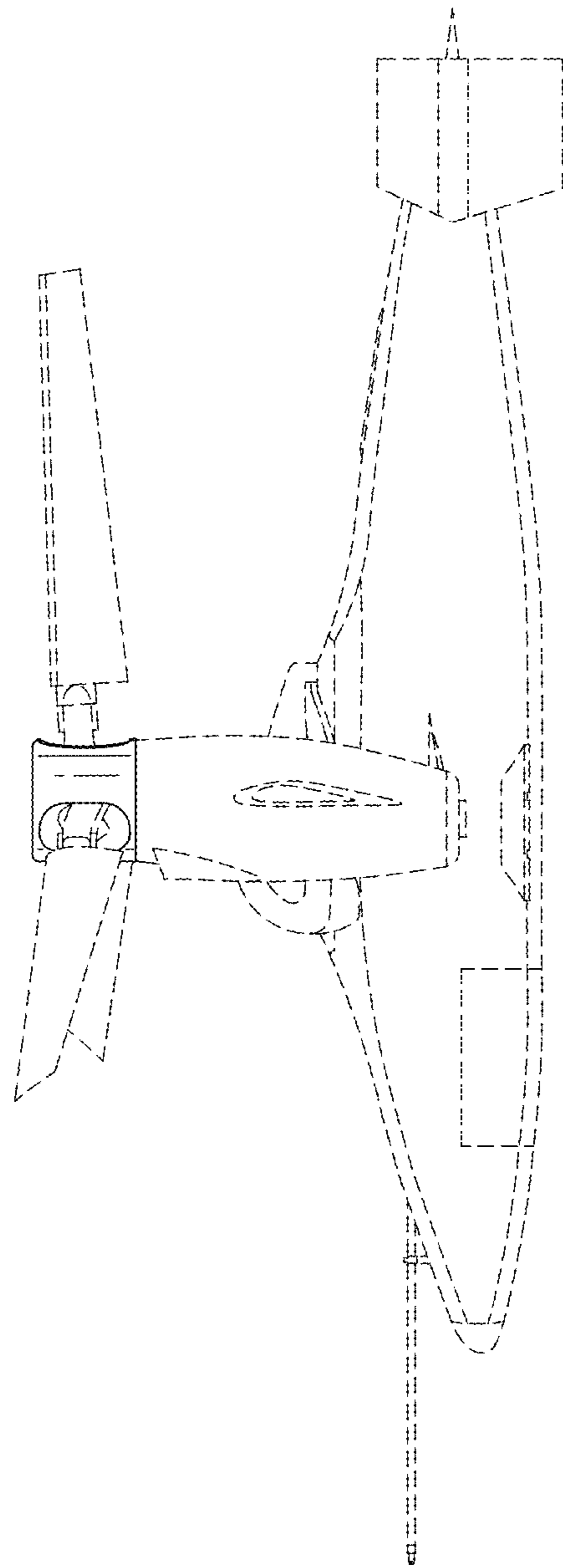


FIG. 11

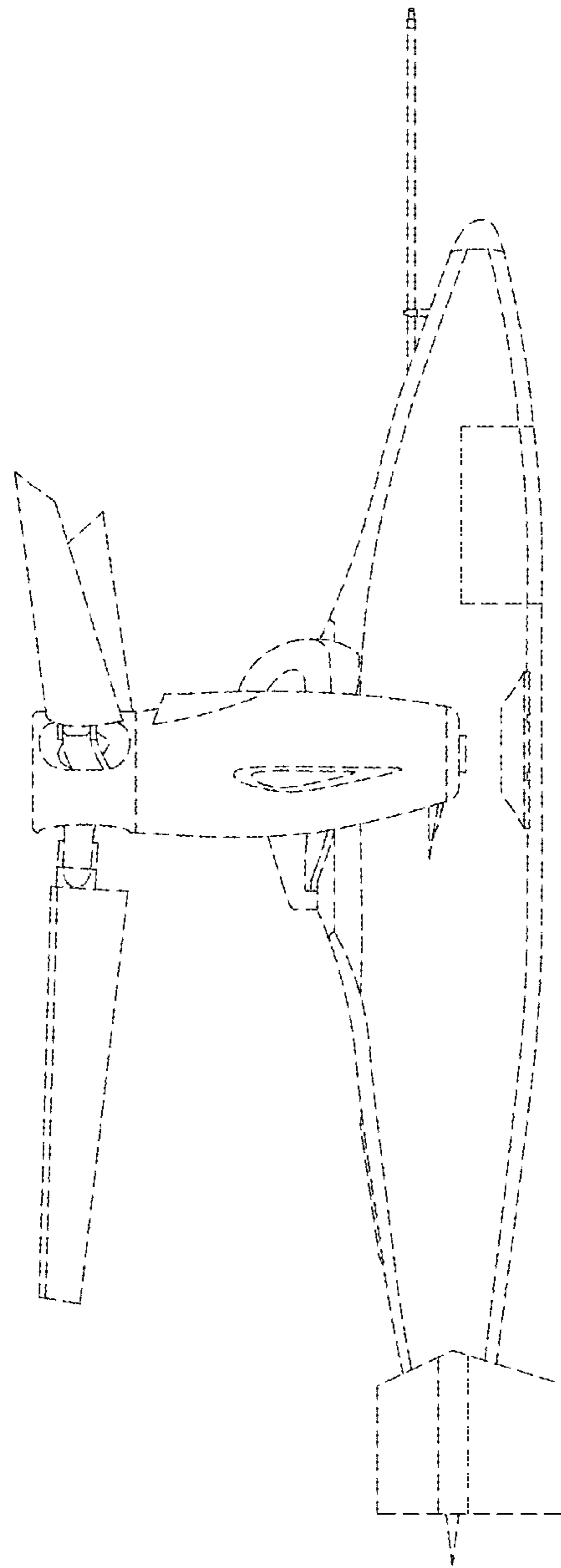


FIG. 12

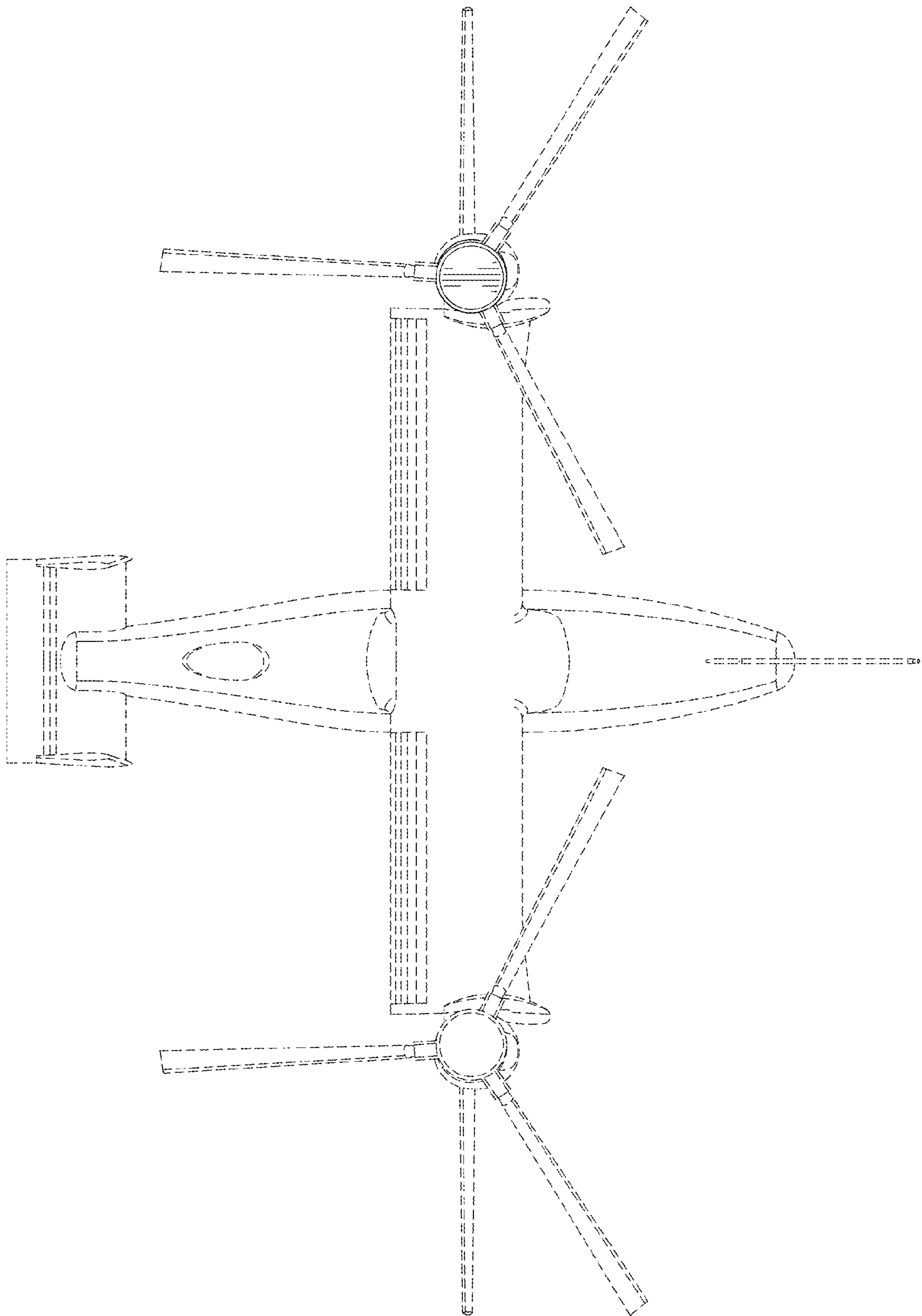


FIG. 13

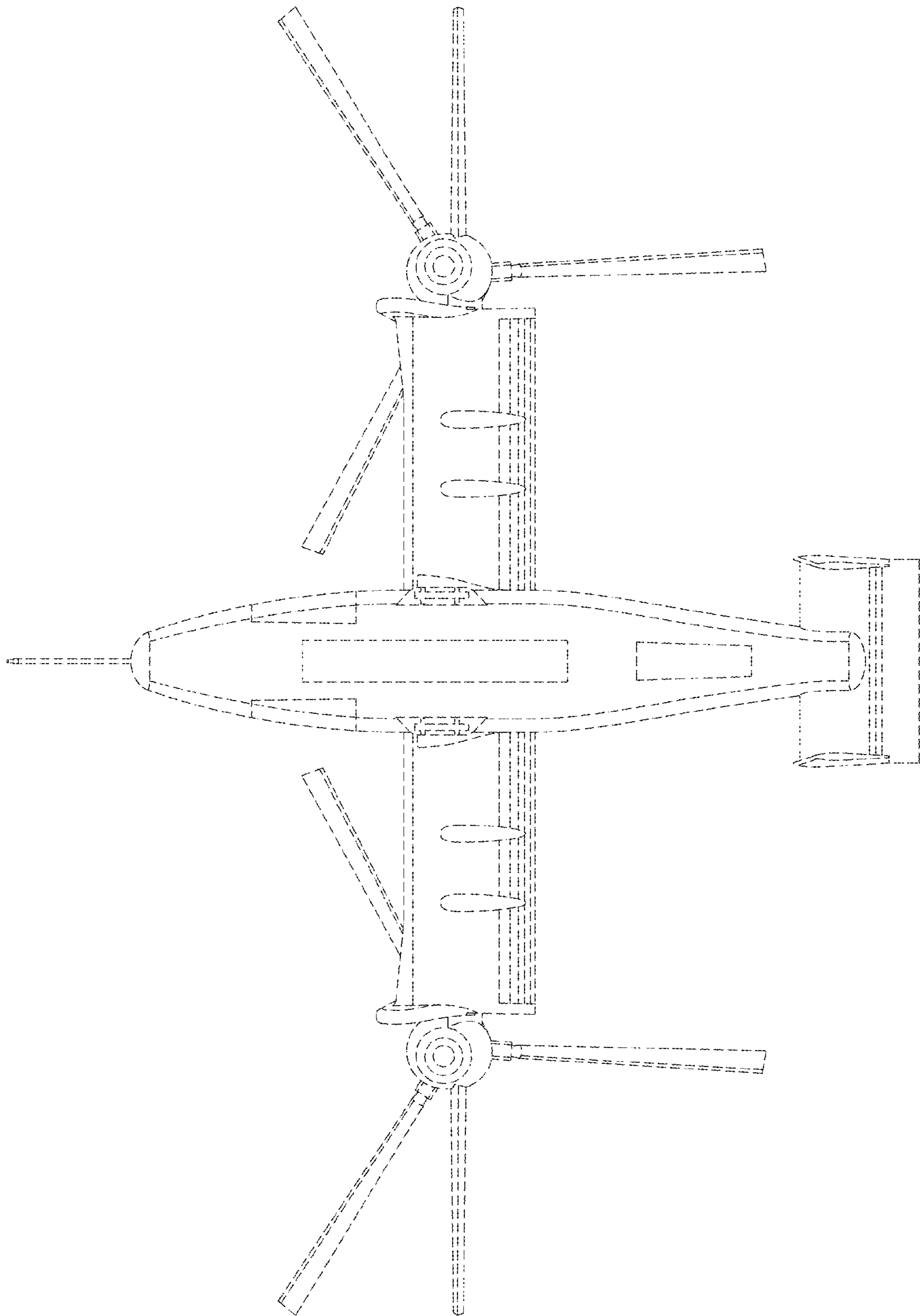


FIG. 14