



US00D974275S

(12) **United States Design Patent**
Mattila

(10) **Patent No.:** **US D974,275 S**
(45) **Date of Patent:** **** Jan. 3, 2023**

(54) **BOAT**
(71) Applicant: **Saxdor Yachts Oy**, Helsinki (FI)
(72) Inventor: **Sakari Mattila**, Helsinki (FI)
(73) Assignee: **SAXDOR YACHTS OY**, Helsinki (FI)
(**) Term: **15 Years**
(21) Appl. No.: **29/780,896**

D826,835 S * 8/2018 Mattila D12/300
D828,278 S * 9/2018 Mattila D12/300
D840,910 S * 2/2019 Mattila D12/300
D904,278 S * 12/2020 Jämsén D12/314
D944,177 S * 2/2022 Vodopianov D12/300

FOREIGN PATENT DOCUMENTS

EM 002047969-0003 * 6/2012
EM 009033442-0001 * 7/2022
KR 300940799.0000 * 1/2018

(Continued)

(22) Filed: **Apr. 27, 2021**
(51) **LOC (14) Cl.** **12-06**
(52) **U.S. Cl.**
USPC **D12/300**
(58) **Field of Classification Search**
USPC D12/300, 302-304, 306-308, 310,
D12/312-318, 413; D14/300; D21/542,
D21/544
CPC B63B 1/00; B63B 1/042; B63B 1/125;
B63B 7/00; B63B 34/10; B63B 17/00;
B63B 17/02; B63H 8/00; B63H 9/00
See application file for complete search history.

OTHER PUBLICATIONS

5 reasons why Axopar Cabin = stress free docking, announced in YouTube on Mar. 24, 2020 [online], [Jul. 14, 2022], Available from the internet URL: https://www.youtube.com/watch?v=UyxfqWNXI_E.*

Primary Examiner — Darlington Ly
Assistant Examiner — D. Ryan Tisdale
(74) *Attorney, Agent, or Firm* — Eversheds Sutherland (US) LLP

(57) **CLAIM**

The ornamental design for a boat, as shown and described.

(56) **References Cited**

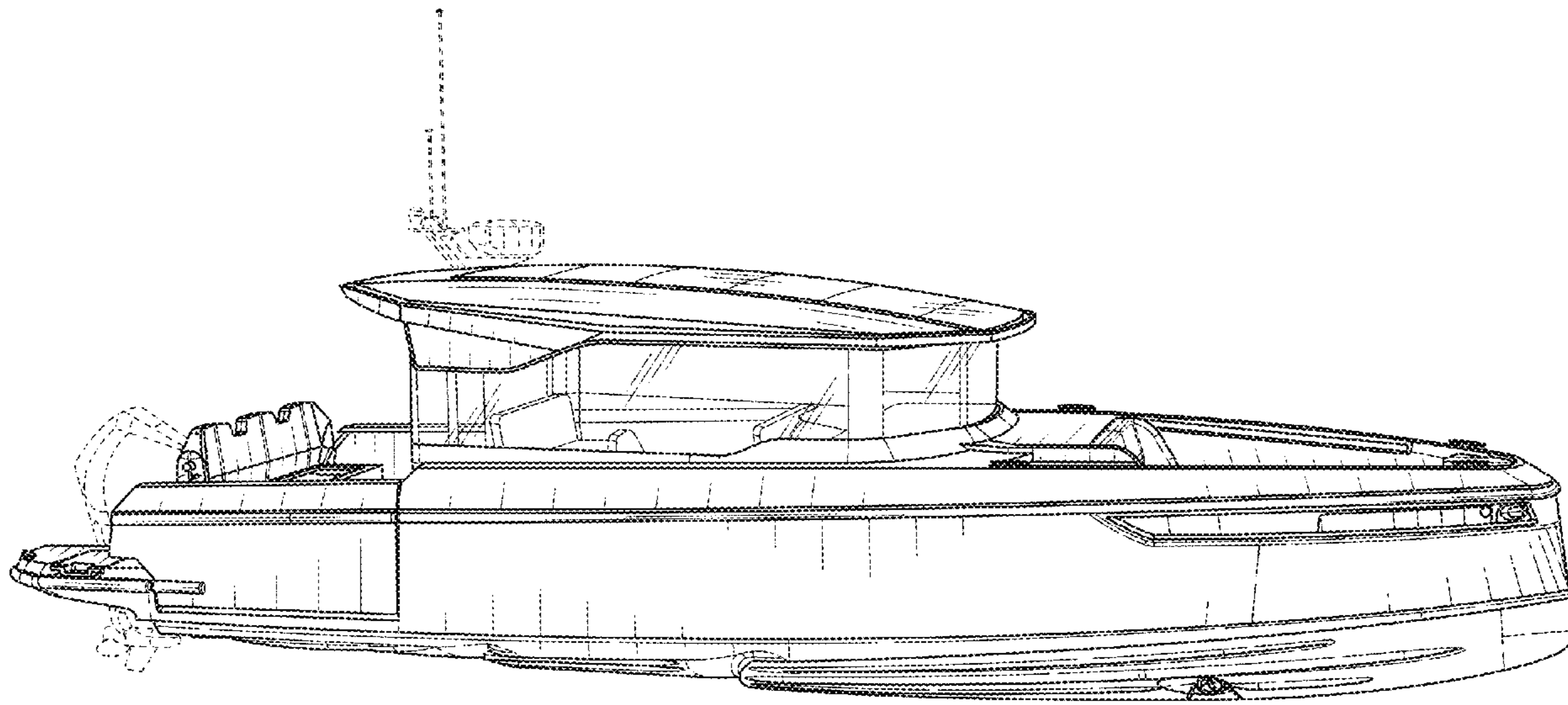
U.S. PATENT DOCUMENTS

D39,802 S * 2/1909 Pease D9/678
D304,571 S * 11/1989 Lindstrom D12/318
D315,137 S * 3/1991 Runte D12/318
D315,892 S * 4/1991 Tollefson D12/318
D349,881 S * 8/1994 Hilliard D12/318
D429,682 S * 8/2000 Garland D12/300
D475,338 S * 6/2003 Zurn D12/300
D587,641 S * 3/2009 Bouckaert D12/300
D680,053 S * 4/2013 Ulgen D12/310
D817,848 S * 5/2018 Mattila D12/300
D818,416 S * 5/2018 Mattila D12/300
D818,418 S * 5/2018 Mattila D12/300
D818,419 S * 5/2018 Mattila D12/300
D826,832 S * 8/2018 Mattila D12/300

DESCRIPTION

FIG. 1 is a perspective view of a boat according to the disclosure;
FIG. 2 is a perspective view thereof;
FIG. 3 is a side view thereof;
FIG. 4 is a rear view thereof;
FIG. 5 is a front view thereof;
FIG. 6 is a top view thereof; and,
FIG. 7 is a top view of the interior thereof with the top removed.
The broken lines in the drawings illustrate portions of the boat that form no part of the claimed design.

1 Claim, 7 Drawing Sheets



(56)

References Cited

FOREIGN PATENT DOCUMENTS

WO	D201891-001	* 10/2019
WO	D201891-002	* 10/2019
WO	D211445-002	* 5/2021
WO	D211445-004	* 5/2021
WO	D211445-005	* 5/2021
WO	D212033-001	* 6/2021

* cited by examiner

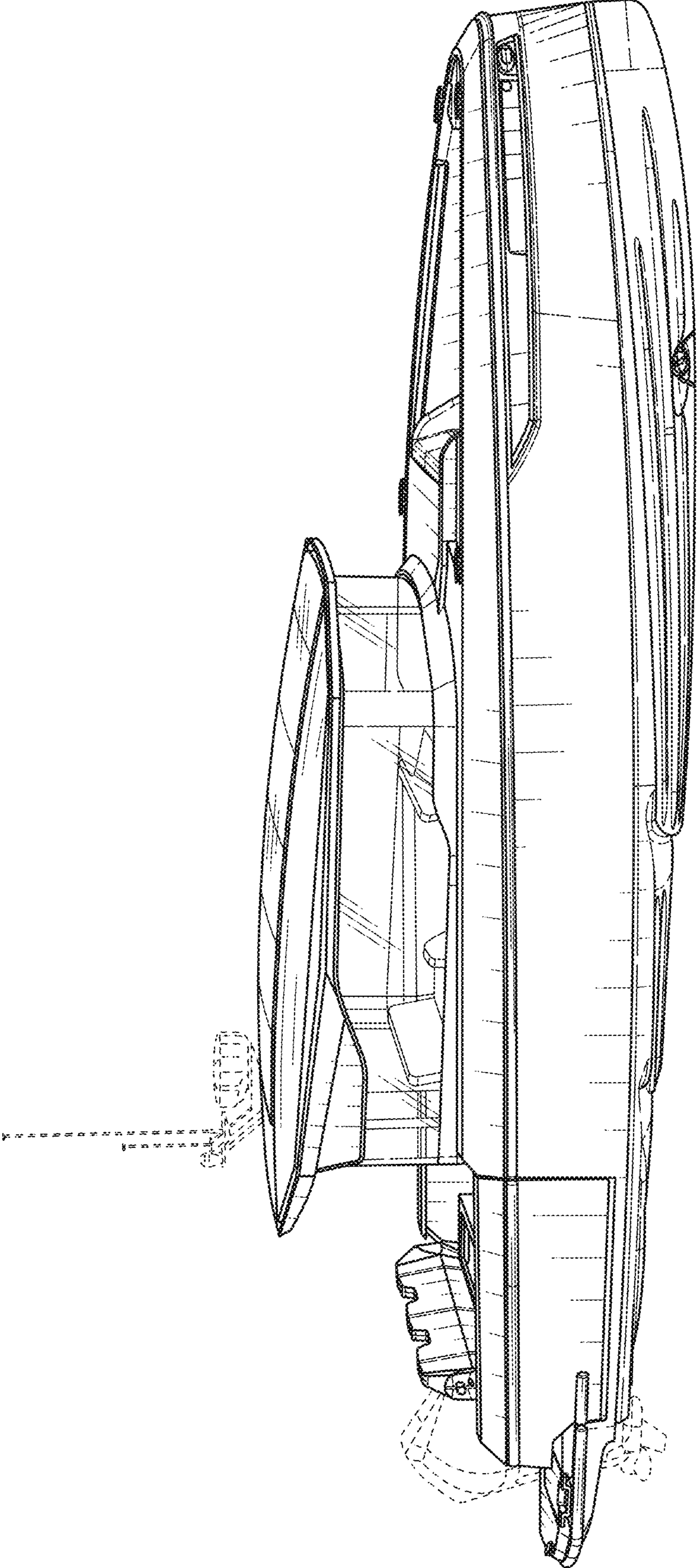


FIG. 1

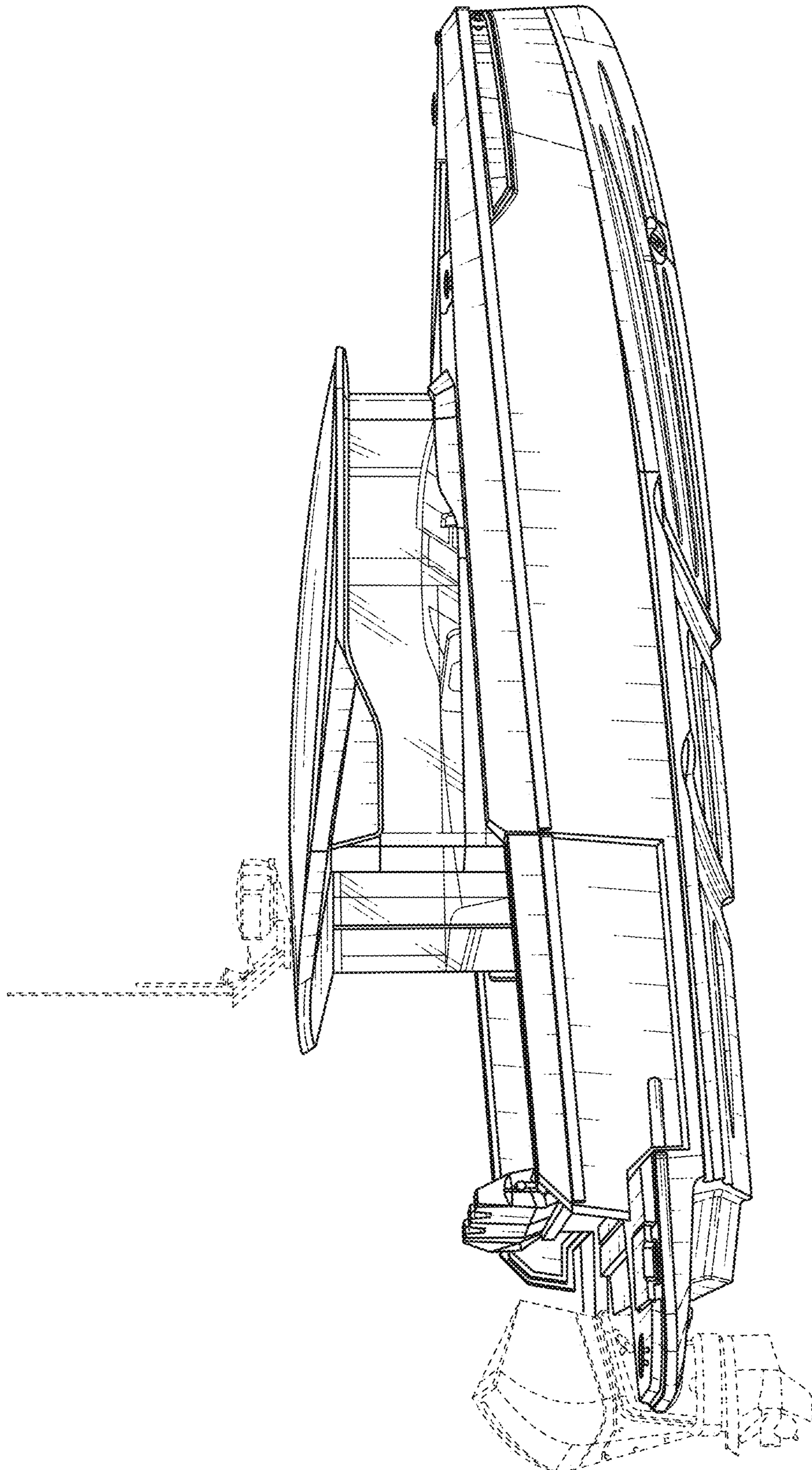


FIG. 2

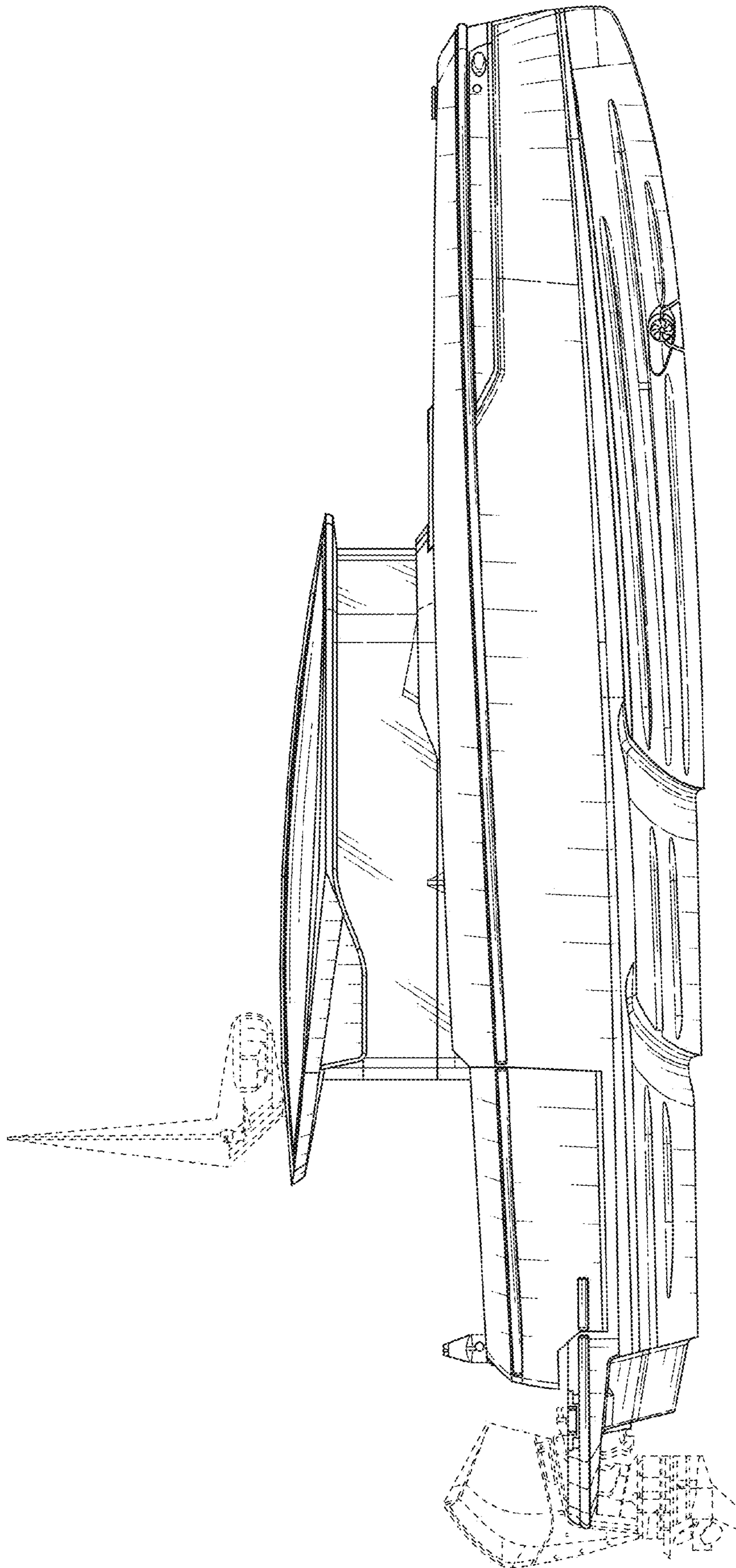


FIG. 3

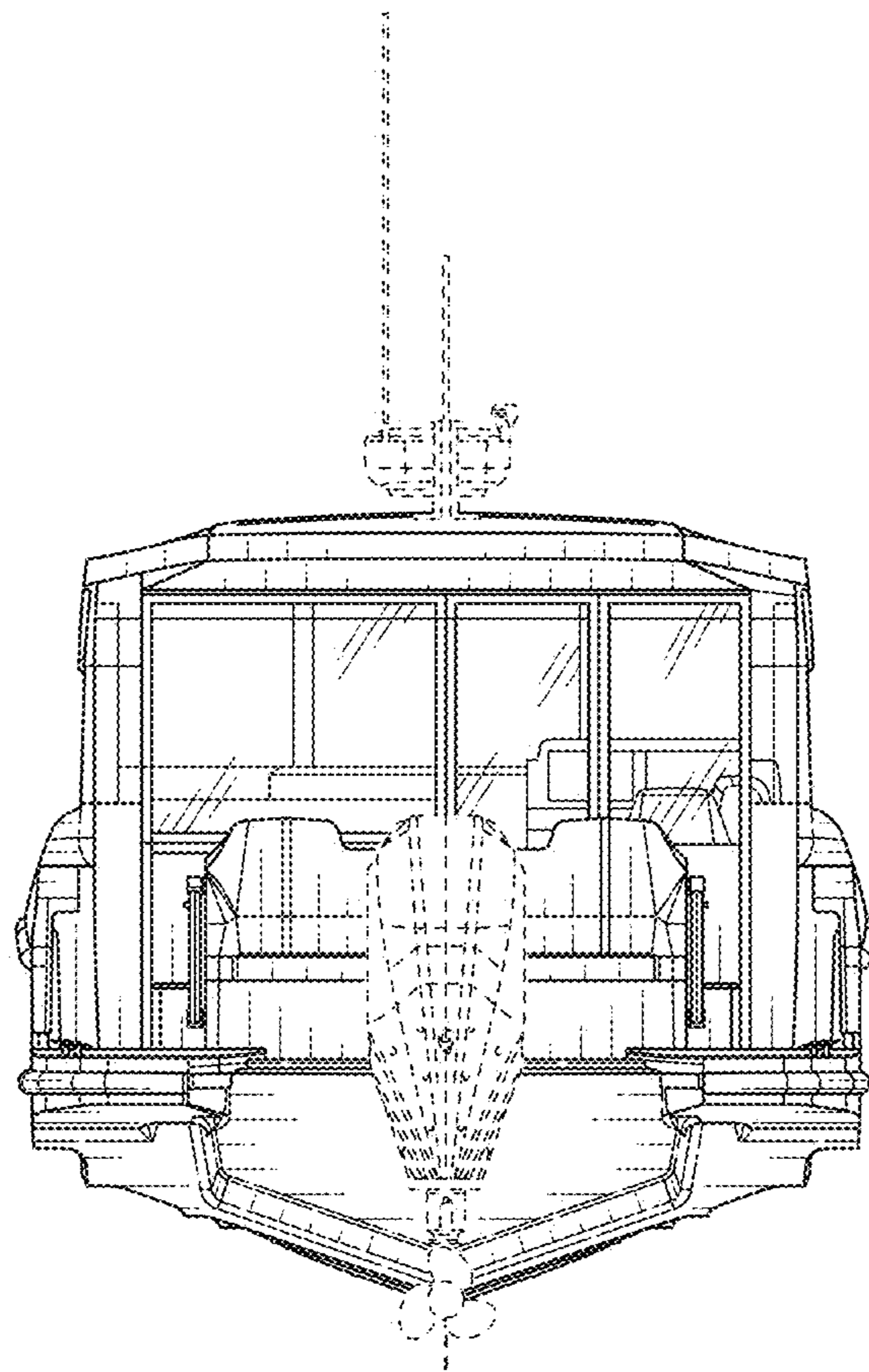


FIG. 4

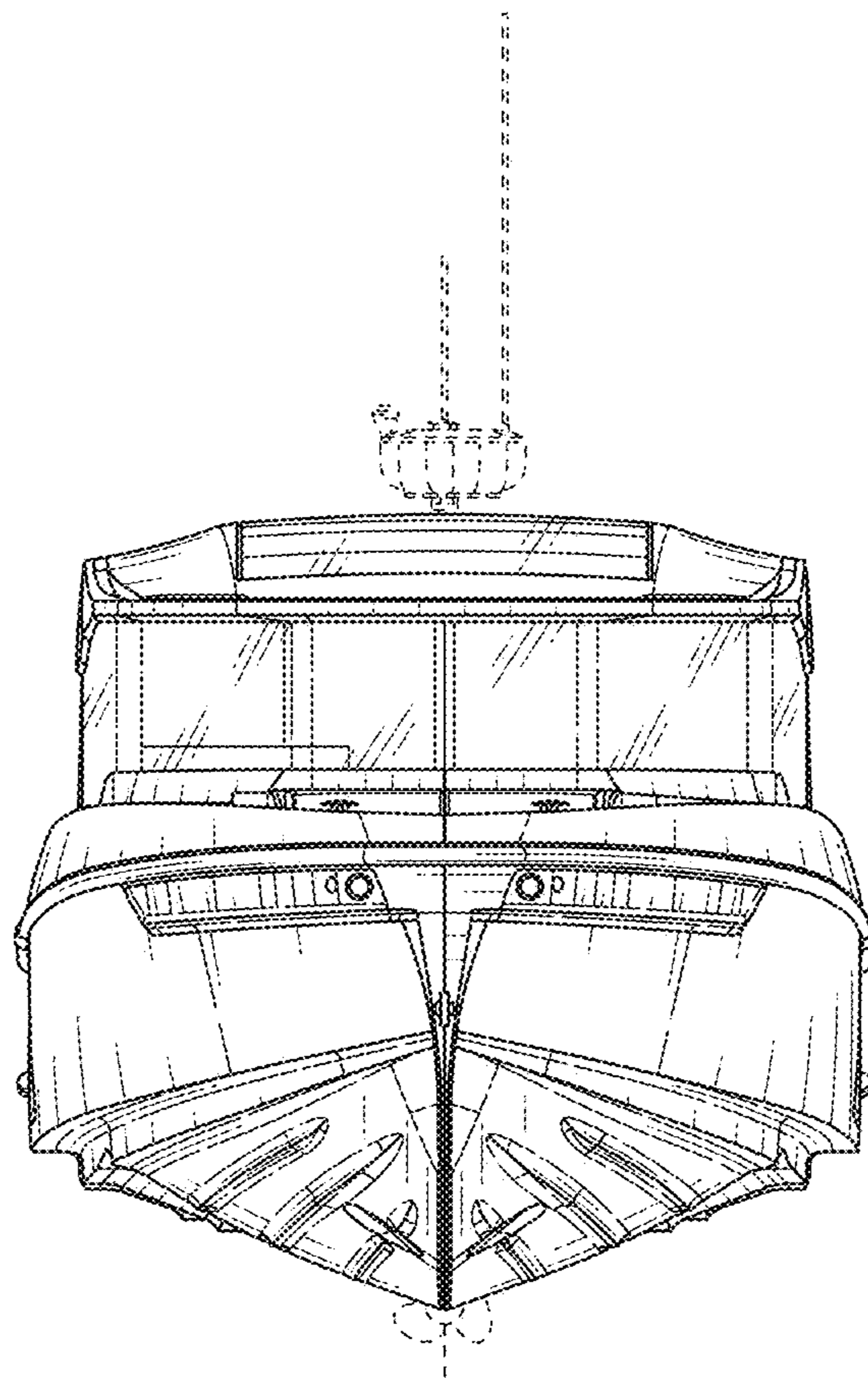


FIG. 5

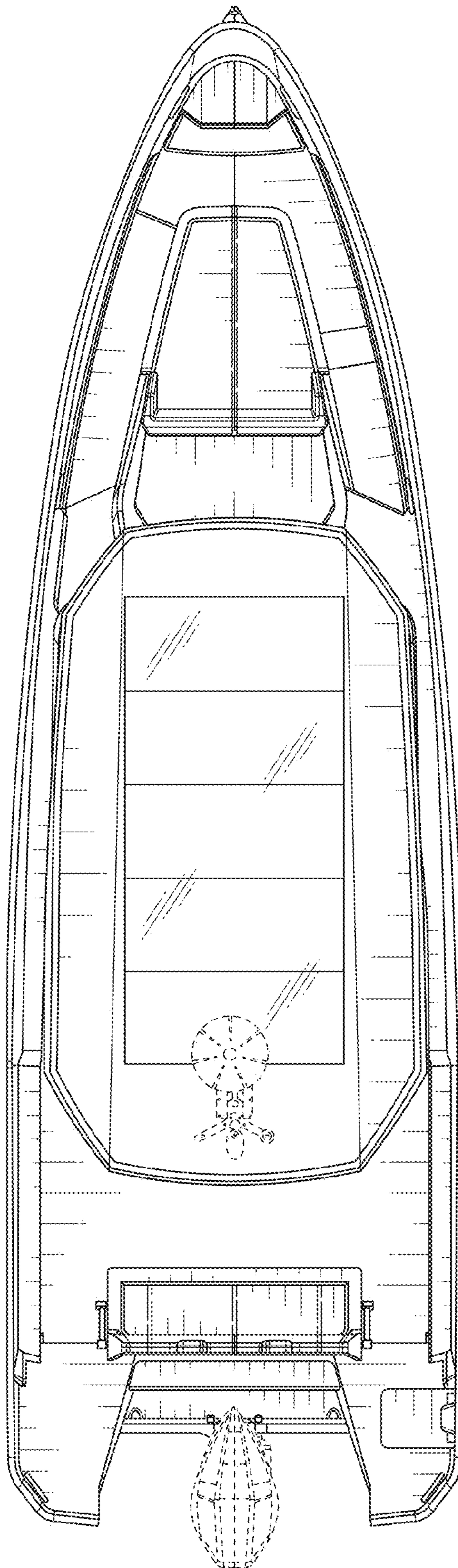


FIG. 6

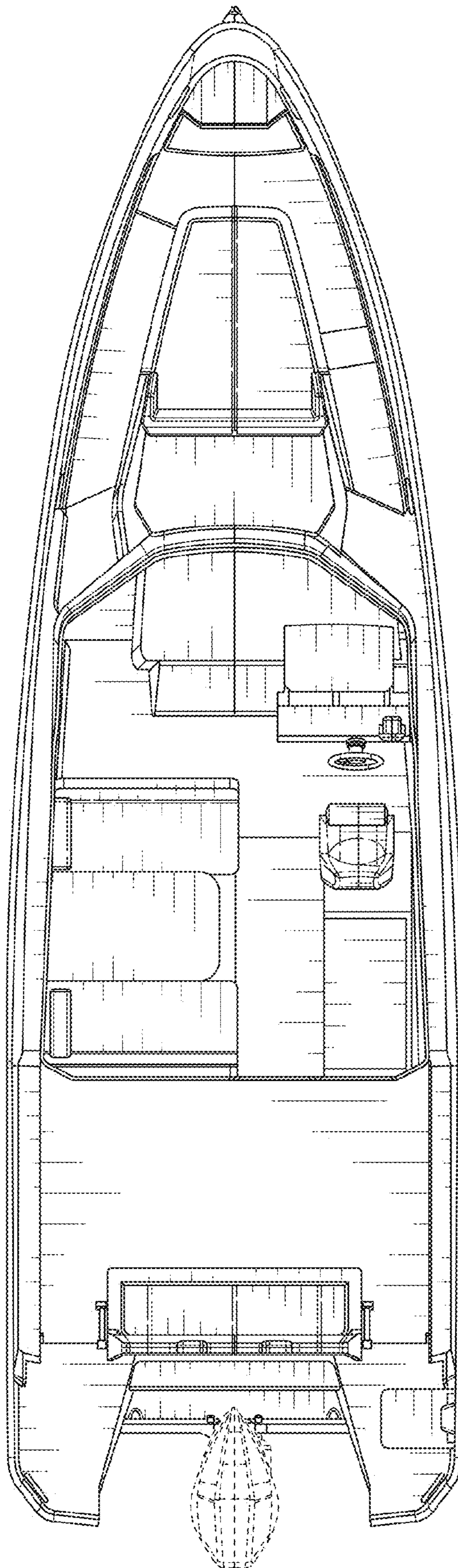


FIG. 7