



US00D974274S

(12) **United States Design Patent**
Mattila

(10) **Patent No.:** **US D974,274 S**
(45) **Date of Patent:** **** Jan. 3, 2023**

(54) **BOAT**
(71) Applicant: **Saxdor Yachts Oy**, Helsinki (FI)
(72) Inventor: **Sakari Mattila**, Helsinki (FI)
(73) Assignee: **SAXDOR YACHTS OY**, Helsinki (FI)

D865,632 S * 11/2019 Brady D12/300
D872,002 S * 1/2020 Kobylko D12/300
D877,683 S * 3/2020 Shirokikh D12/300
D904,278 S * 12/2020 Jämsén D12/314
D933,578 S * 10/2021 Jämsén D12/314
D944,177 S * 2/2022 Vodopianov D12/300

(**) Term: **15 Years**
(21) Appl. No.: **29/780,894**

FOREIGN PATENT DOCUMENTS

EM 002047969-0003 * 6/2012
EM 009033442-0001 * 7/2022
GB 6077309 * 11/2019

(Continued)

(22) Filed: **Apr. 27, 2021**
(51) **LOC (14) Cl.** **12-06**
(52) **U.S. Cl.**
USPC **D12/300**
(58) **Field of Classification Search**
USPC D12/300, 302-304, 306-308, 310,
D12/312-318, 413; D14/300; D21/542,
D21/544
CPC B63B 1/00; B63B 1/042; B63B 1/125;
B63B 7/00; B63B 34/10; B63B 17/00;
B63B 17/02; B63H 8/00; B63H 9/00
See application file for complete search history.

OTHER PUBLICATIONS

Axopar 25 Walkthrough | Eyachts, announced in YouTube on May 25, 2022 [online], [Jul. 14, 2022], Available from the internet URL: <https://www.youtube.com/watch?v=daQsDmnrnHg>.*

Primary Examiner — Darlington Ly
Assistant Examiner — Duane R Tisdale
(74) *Attorney, Agent, or Firm* — Eversheds Sutherland (US) LLP

(56) **References Cited**

U.S. PATENT DOCUMENTS

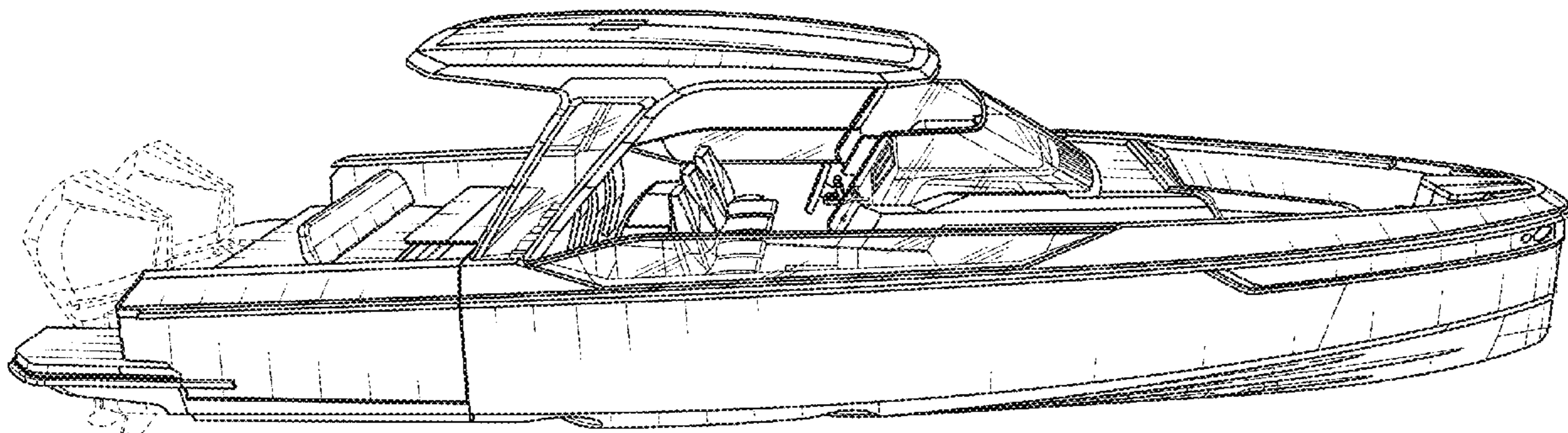
D192,397 S * 3/1962 Cohen D12/315
D204,844 S * 5/1966 Stevens D12/318
D315,137 S * 3/1991 Runte D12/318
D429,682 S * 8/2000 Garland D12/300
D475,338 S * 6/2003 Zurn D12/300
D524,714 S * 7/2006 Barbeito D12/300
9,238,499 B1 * 1/2016 Viviani B63H 1/26
D763,776 S * 8/2016 Braver D12/300
D764,376 S * 8/2016 Braver D12/300
D818,416 S * 5/2018 Mattila D12/300
D818,417 S * 5/2018 Mattila D12/300
D826,836 S * 8/2018 Mattila D12/300
D828,276 S * 9/2018 Mattila D12/300
D848,347 S * 5/2019 Mattila D12/300

(57) **CLAIM**
The ornamental design for a boat, as shown and described.

DESCRIPTION

FIG. 1 is a perspective view of a boat according to the disclosure;
FIG. 2 is a side view thereof;
FIG. 3 is a rear view thereof;
FIG. 4 is a front view thereof;
FIG. 5 is a bottom view thereof;
FIG. 6 is a top view thereof; and,
FIG. 7 is a top view of the interior thereof with the top removed.
The broken lines in the drawings illustrate portions of the boat that form no part of the claimed design.

1 Claim, 7 Drawing Sheets



(56)

References Cited

FOREIGN PATENT DOCUMENTS

WO	D201891-001	* 10/2019
WO	D201891-002	* 10/2019
WO	D211445-002	* 5/2021
WO	D211445-004	* 5/2021
WO	D211445-005	* 5/2021
WO	D212033-001	* 6/2021

* cited by examiner

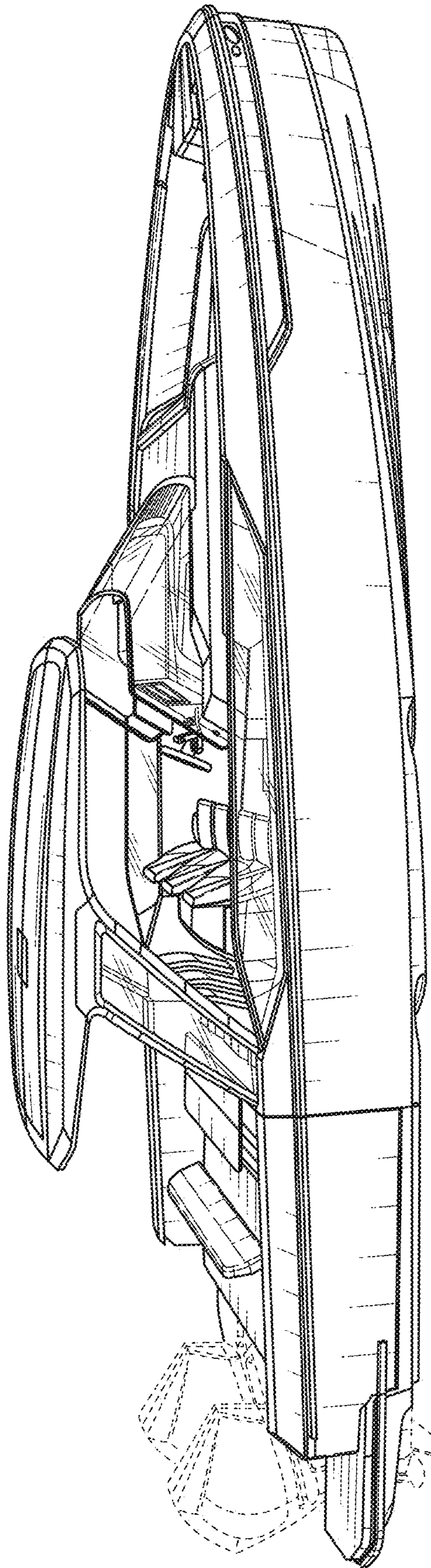


FIG. 1

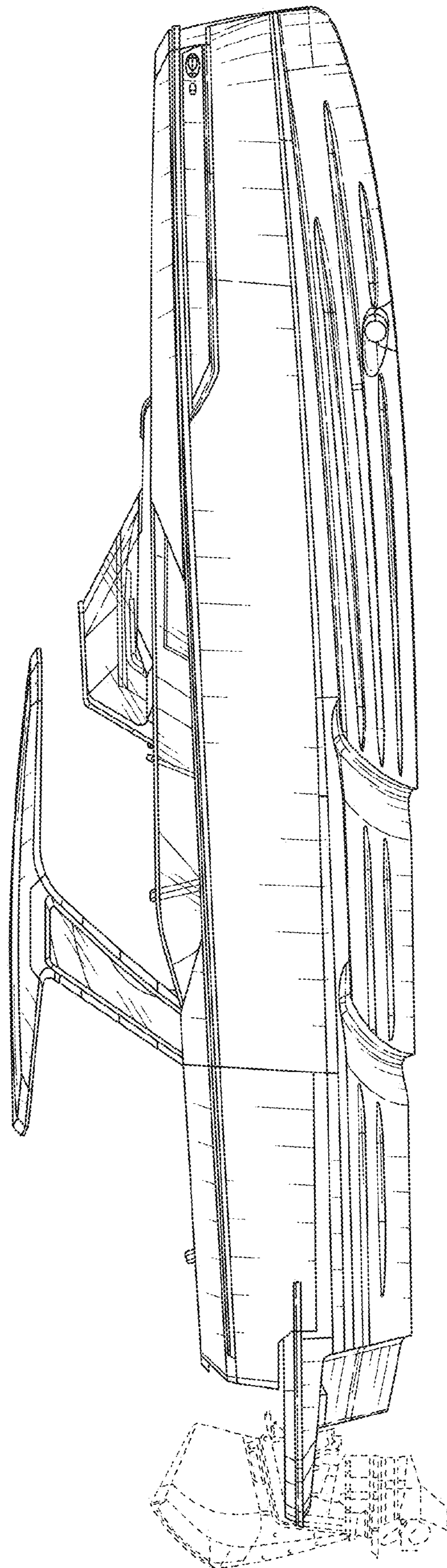


FIG. 2

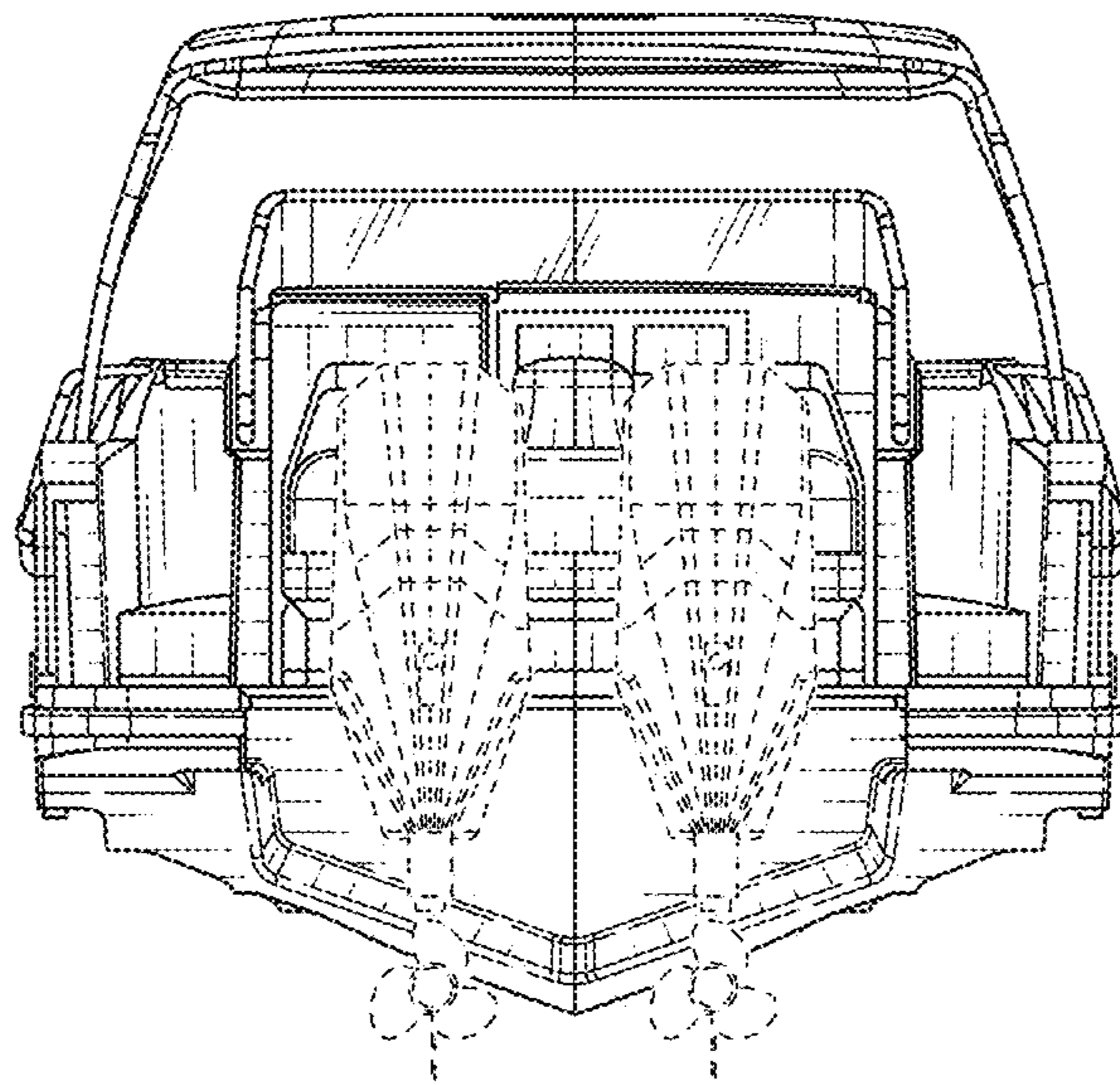


FIG. 3

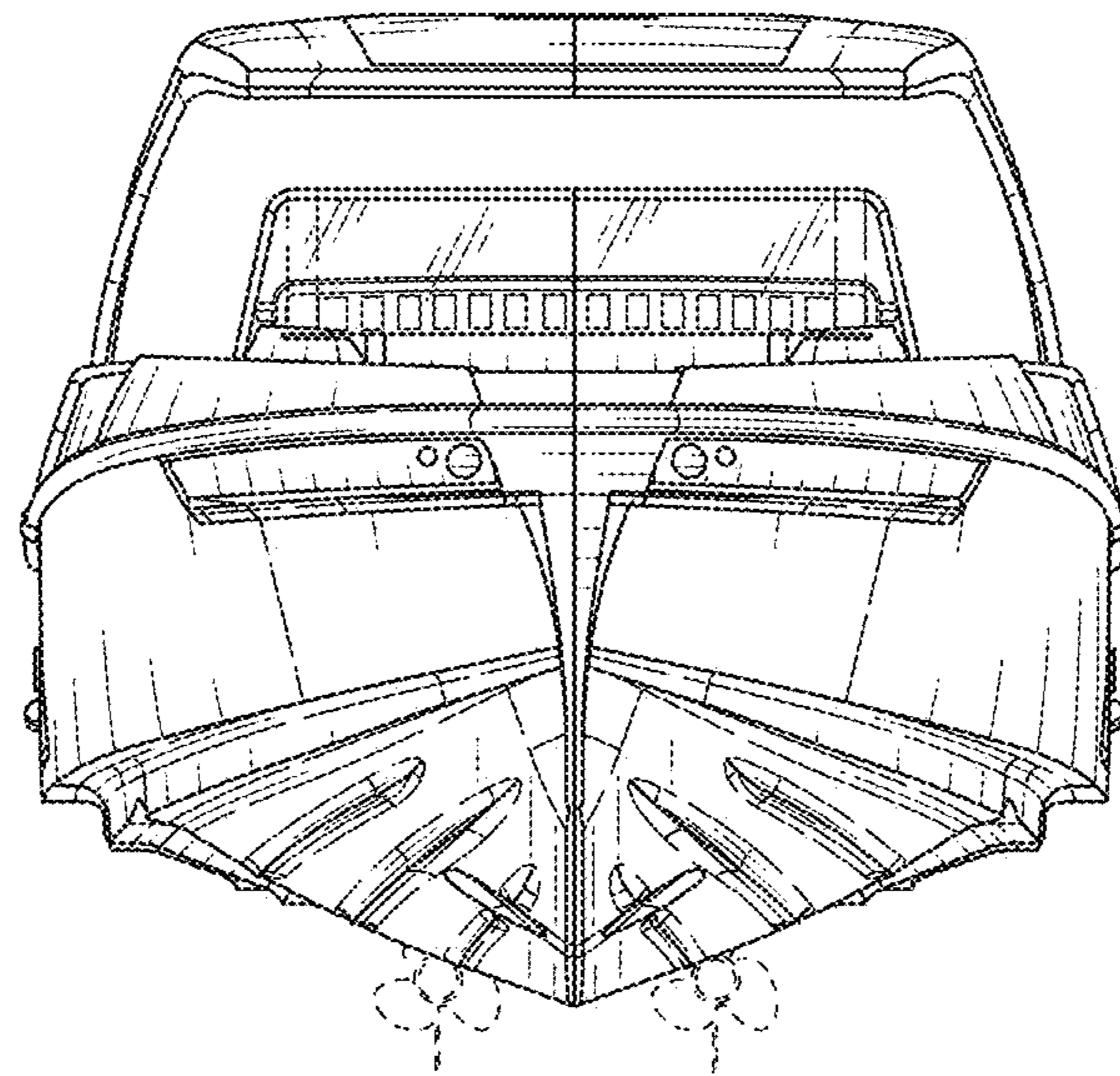


FIG. 4

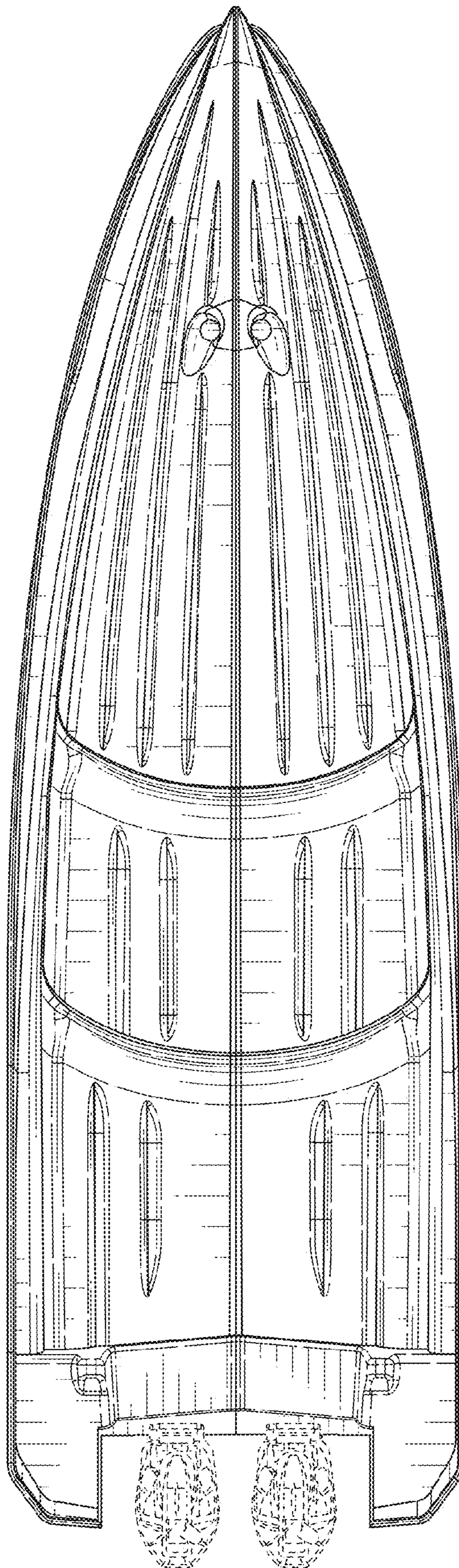


FIG. 5

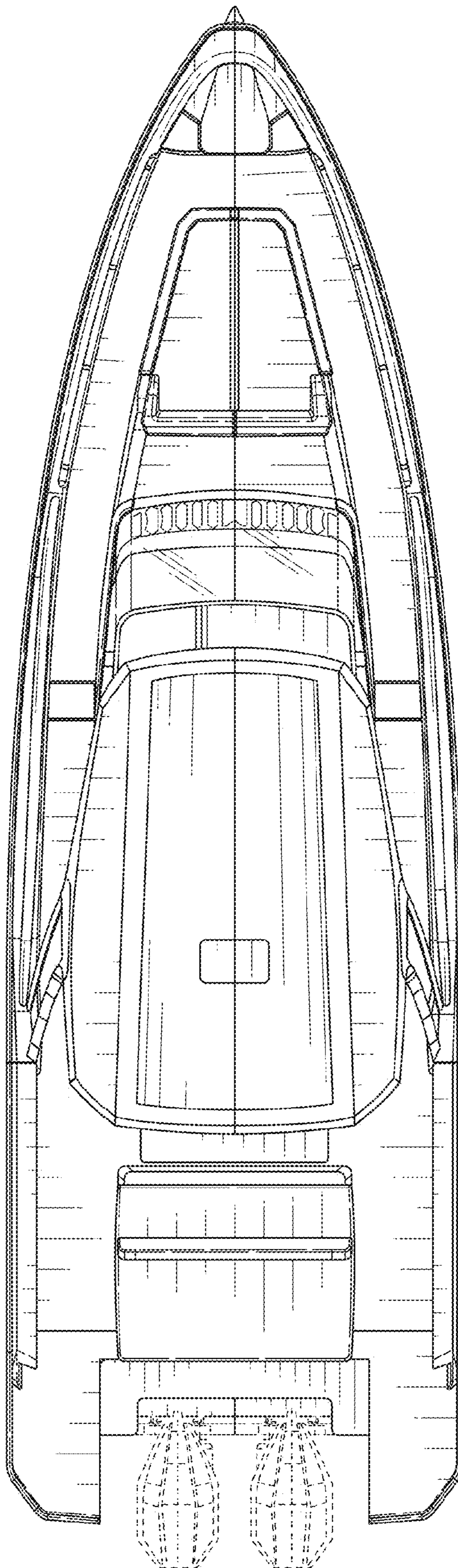


FIG. 6

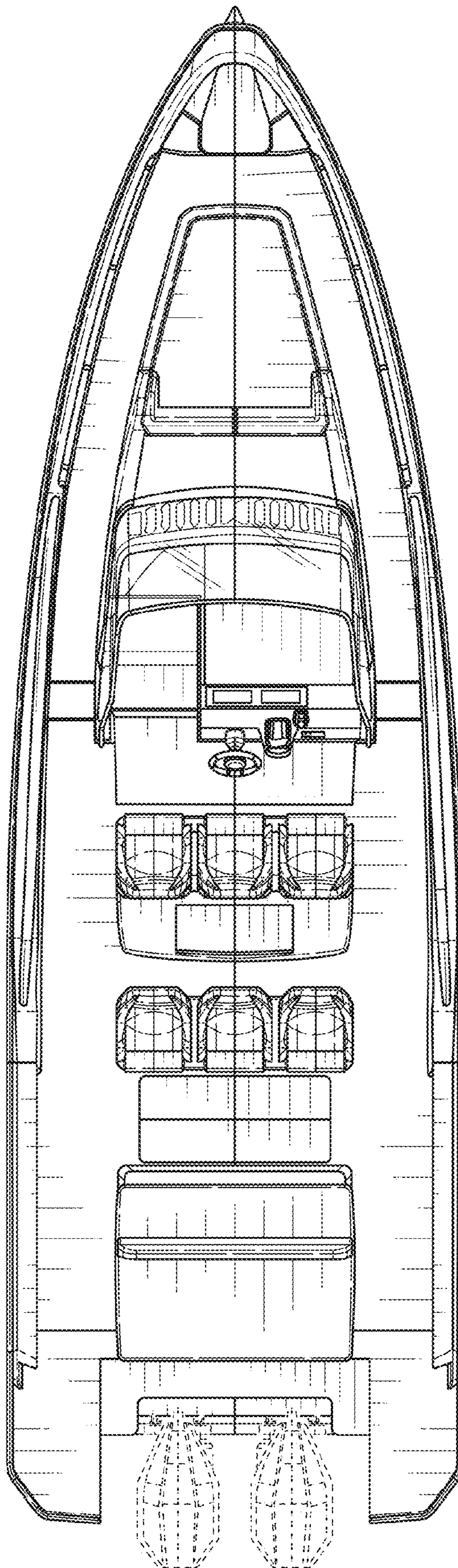


FIG. 7