



US00D974273S

(12) **United States Design Patent** (10) **Patent No.:** **US D974,273 S**
Taillard (45) **Date of Patent:** **** *Jan. 3, 2023**

(54) **WINDSHIELD WIPER**
(71) Applicants: **Trico Belgium SA**, Aubange (BE);
Volkswagen AG, Wolfsburg (DE)
(72) Inventor: **Arthur Taillard**, Aubange (BE)
(73) Assignees: **Trico Belgium, SA**, Aubange (BE);
Volkswagen AG, Wolfsburg (DE)
(*) Notice: This patent is subject to a terminal disclaimer.
(**) Term: **15 Years**
(21) Appl. No.: **29/697,514**
(22) Filed: **Jul. 9, 2019**
(51) **LOC (14) Cl.** **12-16**
(52) **U.S. Cl.**
USPC **D12/220**; D12/219
(58) **Field of Classification Search**
USPC D12/219–220; 15/250.31–250.33,
15/250.351, 250.38, 250.4, 250.41,
15/250.201, 250.451–250.454
CPC B60S 2001/3815; B60S 1/4003; B60S
1/3801
See application file for complete search history.

(56) **References Cited**
U.S. PATENT DOCUMENTS
3,263,261 A * 8/1966 Schulz B60S 1/32
15/257.01
D331,556 S * 12/1992 Ismert D12/219
D341,115 S * 11/1993 Papania D12/219
D345,537 S * 3/1994 Bianco D12/220
6,070,287 A * 6/2000 Kornegay B60S 1/38
15/247
D430,097 S * 8/2000 Breesch D12/219
D445,754 S * 7/2001 Benoit D12/219
D512,362 S * 12/2005 Breesch D12/219
D538,218 S * 3/2007 Elwell D12/220
D597,016 S * 7/2009 Bousset D12/219

7,992,249 B2 * 8/2011 Stahlhut B60S 1/3436
15/250.352
7,996,952 B2 * 8/2011 Horstman B60S 1/3431
15/250.352
8,042,219 B2 * 10/2011 Stahlhut B60S 1/3452
15/250.352

(Continued)

FOREIGN PATENT DOCUMENTS

EP 1795406 6/2007
WO 2010/017861 2/2010

OTHER PUBLICATIONS

Auto Rear Window Windshield Wiper Arm Replacement for X5, Walmart.com, [online], [site visited Sep. 21, 2020]. <URL: https://www.walmart.com/ip/Auto-Rear-Window-Windshield-Wiper-Arm-Replacement-for-X5/47594929> (Year: 2020).*

(Continued)

Primary Examiner — Jonathan J Han
(74) *Attorney, Agent, or Firm* — Miller Canfield

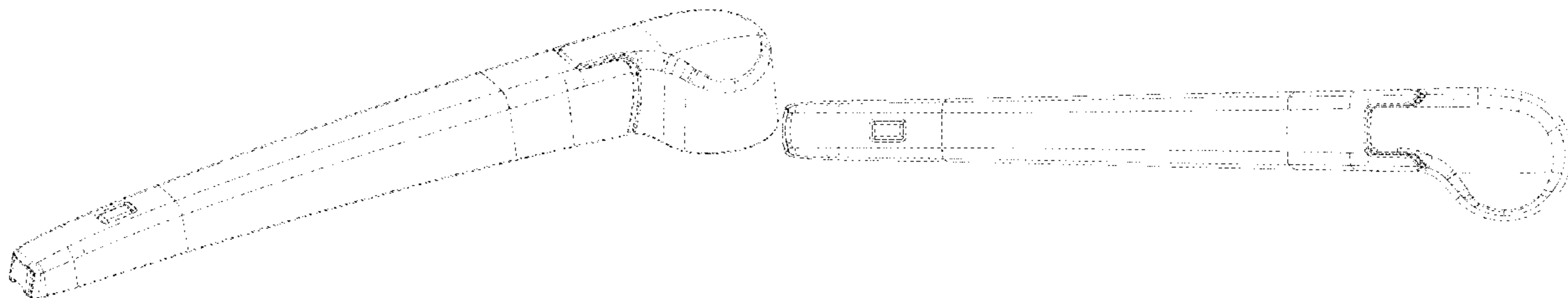
(57) **CLAIM**

The ornamental design for a windshield wiper, as shown and described.

DESCRIPTION

FIG. 1 is a top perspective view of the windshield wiper of the present invention;
FIG. 2 is a top view thereof;
FIG. 3 is a bottom view thereof;
FIG. 4 is a bottom perspective view thereof;
FIG. 5 is an enlarged end view thereof;
FIG. 6 is an enlarged view of the opposite end thereof;
FIG. 7 is a left side view thereof; and,
FIG. 8 is a right side view thereof.
The broken lines in the drawings are included for the purpose of illustrating portions of the windshield wiper which form no part of the claimed design.

1 Claim, 8 Drawing Sheets



(56)

References Cited

U.S. PATENT DOCUMENTS

8,051,526 B2 * 11/2011 Summerville B60S 1/3479
15/250.351
8,453,292 B2 * 6/2013 Jeon B60S 1/4041
15/250.32
9,896,064 B2 * 2/2018 Boland B60S 1/345
10,093,279 B2 * 10/2018 Scholl B60S 1/524
10,232,825 B2 * 3/2019 Ouchi B60S 1/3481
D858,418 S * 9/2019 Tomasson D12/219
2009/0064441 A1 * 3/2009 Masuda B60S 1/3429
15/250.201
2009/0064442 A1 * 3/2009 Masuda B60S 1/3447
15/250.351
2014/0026346 A1 * 1/2014 Scholl B60S 1/524
15/250.32
2014/0101884 A1 * 4/2014 Balitzkat B60S 1/381
15/250.201
2014/0182076 A1 * 7/2014 Moll B60S 1/345
15/250.351
2014/0338143 A1 11/2014 Bousset et al.
2015/0020339 A1 * 1/2015 Uchiyama B60S 1/3856
15/250.32

2016/0144830 A1 * 5/2016 Coos B60S 1/3484
15/250.23
2016/0272156 A1 * 9/2016 Ouchi B60S 1/3481
2017/0050620 A1 * 2/2017 Friscioni B60S 1/524
2017/0197594 A1 * 7/2017 Deng B60S 1/522
2017/0225661 A1 * 8/2017 Shimoyama B60S 1/40
2017/0267216 A1 * 9/2017 Bayard H05B 1/0236
2018/0086313 A1 * 3/2018 Houssat B60S 1/4009
2018/0222447 A1 * 8/2018 Shimizu B60S 1/3801
2019/0009750 A1 * 1/2019 Kose B60S 1/40
2019/0039573 A1 * 2/2019 Boland B60S 1/3429
2019/0054900 A1 * 2/2019 Taillard B60S 1/3427
2019/0118777 A1 * 4/2019 Poton B60S 1/4048
2019/0118779 A1 * 4/2019 Poton B60S 1/4048
2019/0176766 A1 * 6/2019 Taillard B60S 1/3427

OTHER PUBLICATIONS

Dorman 42929 Windshield Wiper Arm, Amazon.com, Date First Available: Nov. 6, 2013, [online], [site visited Sep. 21, 2020]. <URL: <https://www.amazon.com/DORMAN-42929-Windshield-Wiper-Arm/dp/B00GHSJSFW>> (Year: 2013).*

* cited by examiner

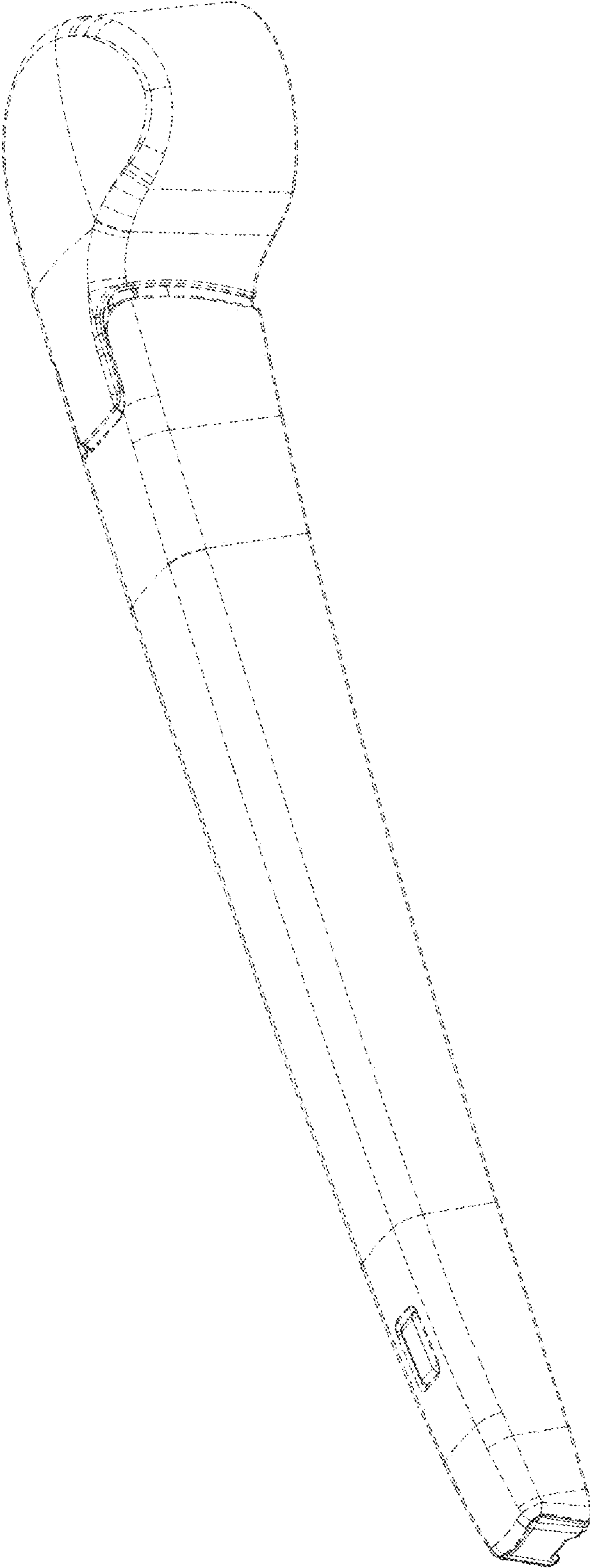


FIG. 1

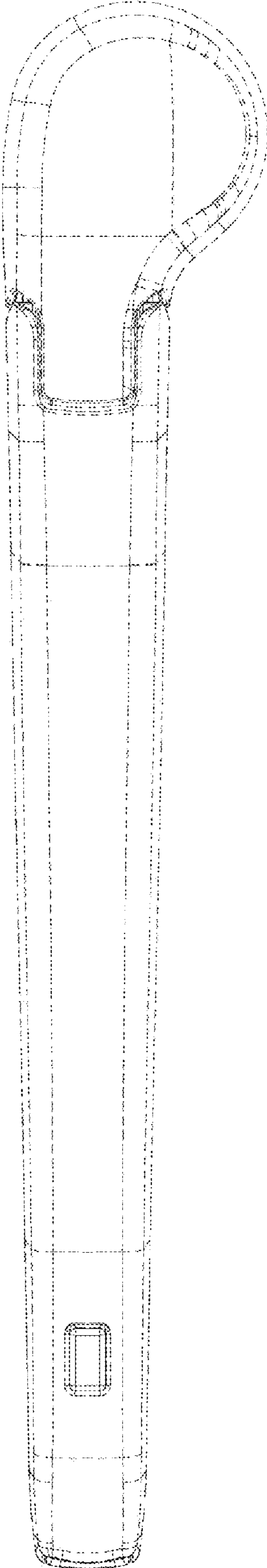


FIG. 2

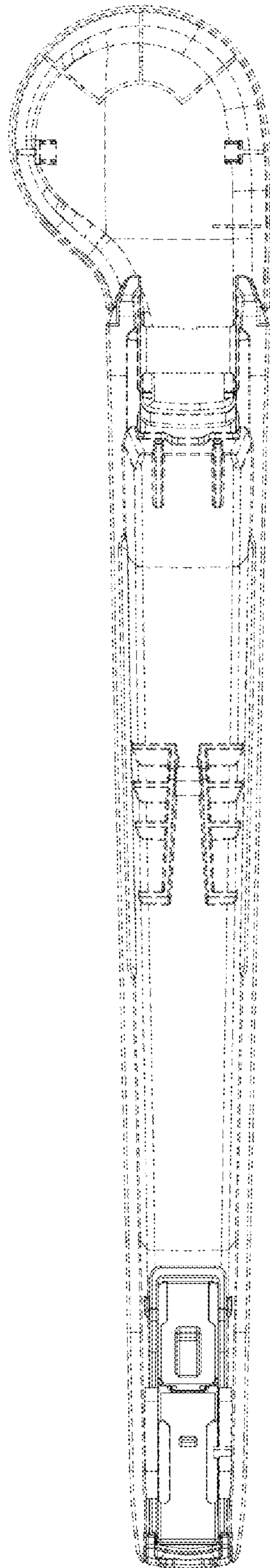


FIG. 3

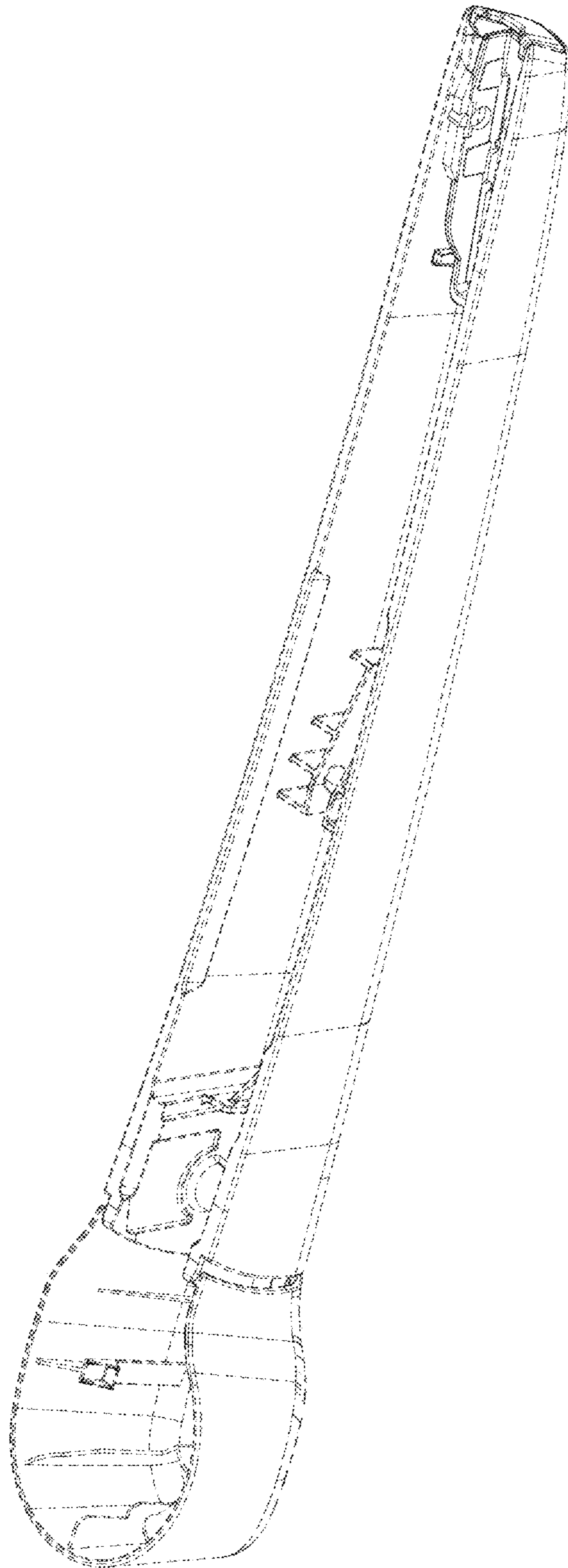


FIG. 4

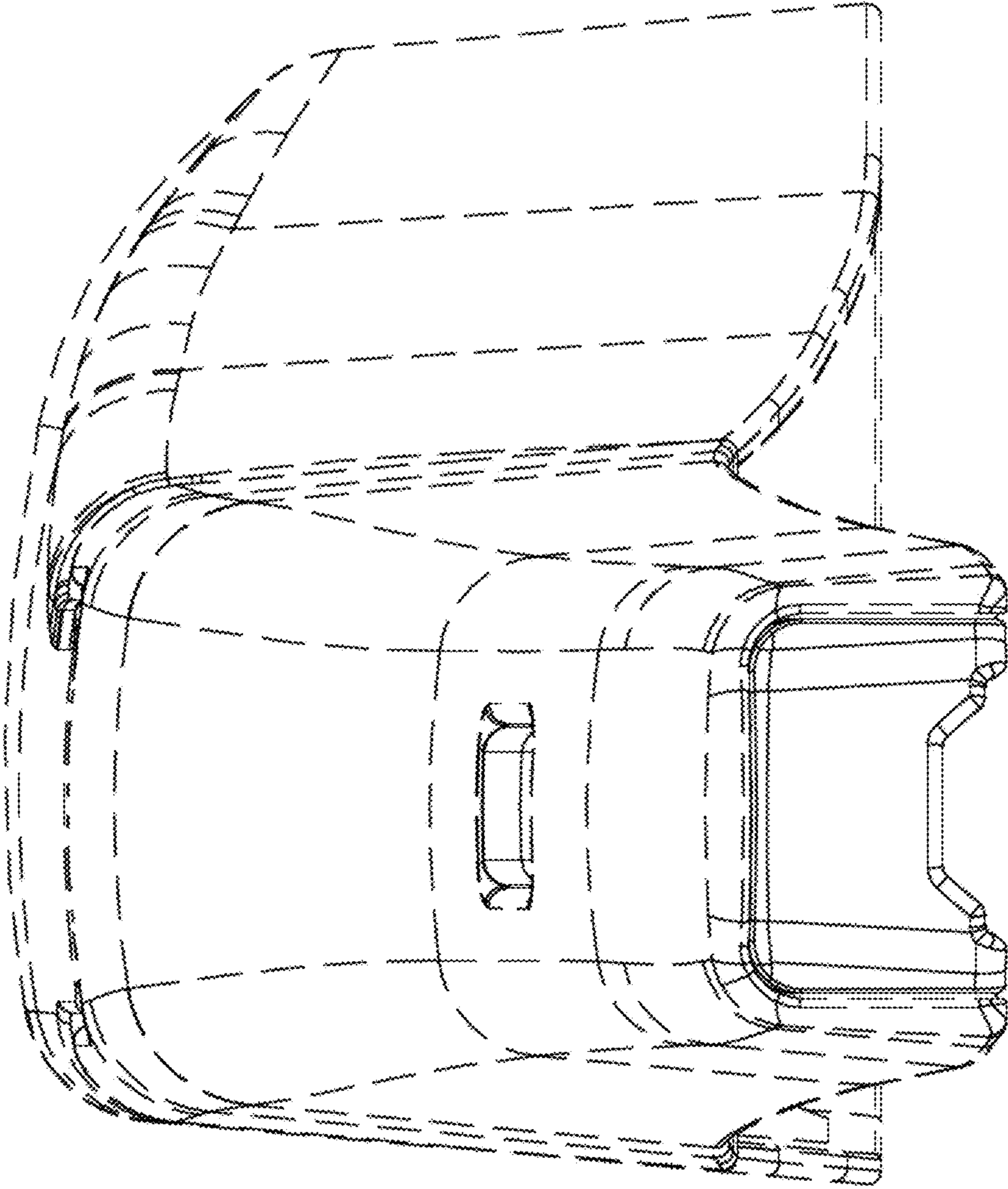


FIG. 5

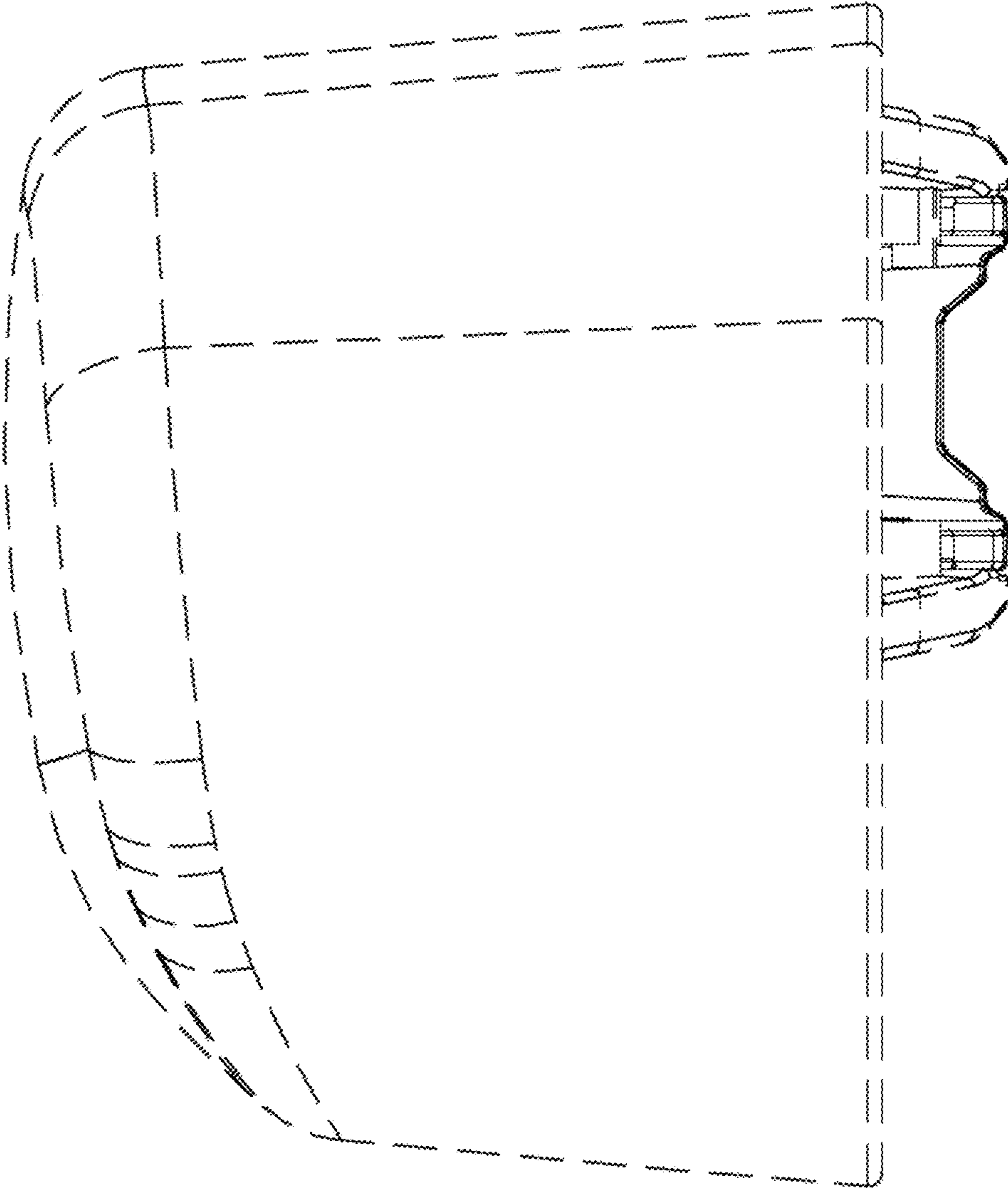


FIG. 6

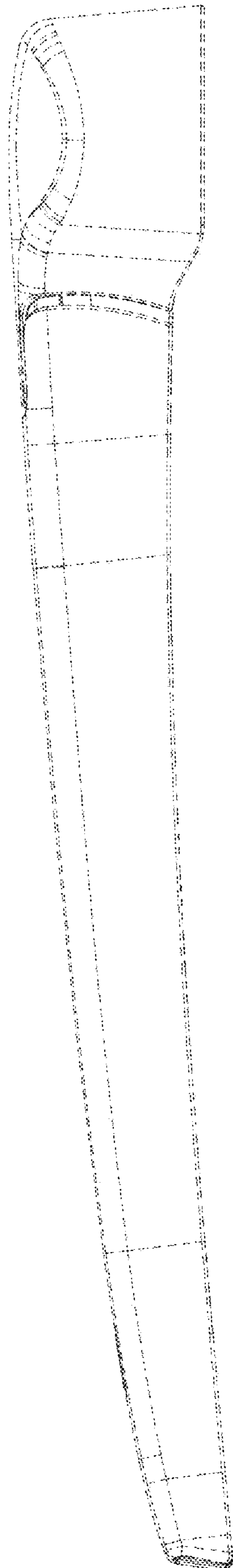


FIG. 7

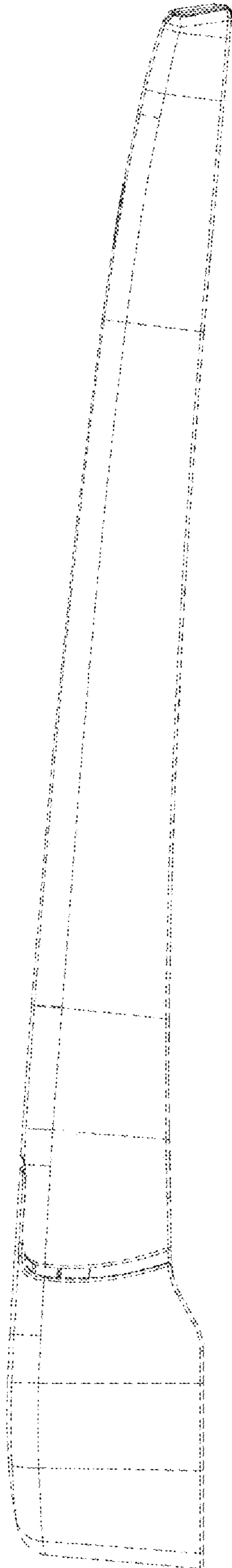


FIG. 8