



US00D974272S

(12) **United States Design Patent** (10) **Patent No.:** **US D974,272 S**
Alexander et al. (45) **Date of Patent:** **** Jan. 3, 2023**

(54) **FLUID CONTAINER**

(71) Applicant: **FNA Group, Inc.**, Pleasant Prairie, WI (US)

(72) Inventors: **Christopher Alexander**, Park Ridge, IL (US); **Yeng Her**, Kenosha, WI (US); **Ryan Daniel Sherwood**, La Grange, IL (US)

(73) Assignee: **FNA Group, INC.**, Pleasant Prairie, WI (US)

(**) Term: **15 Years**

(21) Appl. No.: **29/756,628**

(22) Filed: **Oct. 29, 2020**

(51) **LOC (14) Cl.** **12-06**

(52) **U.S. Cl.**
USPC **D12/218**

(58) **Field of Classification Search**
USPC D12/197, 218, 223; D9/435–454;
D15/1, 3, 5, 17, 28
CPC B60K 15/03; B60K 15/07; B62J 35/00;
B62K 11/00; B62K 11/04
See application file for complete search history.

(56) **References Cited**

U.S. PATENT DOCUMENTS

D223,022 S *	2/1972	Yates	D12/218
D230,151 S *	1/1974	Morris	D12/159
D238,941 S *	2/1976	Graeper	D12/218
D282,921 S *	3/1986	Eureka	D12/218
D340,556 S *	10/1993	Berfield	D32/21
D341,009 S *	11/1993	Berfield	D32/21
D623,720 S *	9/2010	Brown	D23/211.1
D826,133 S *	8/2018	Loew	D12/218

(Continued)

OTHER PUBLICATIONS

“Top 10 Power Washers 2022.” Buyers Guide., Aug. 1, 2022 [online], [retrieved on Aug. 3, 2022]. Retrieved from the Internet

<URL: <https://buyersguide.org/pressure-washers/t/power?msclkid=d96ad7965325168a7f80b57d0a9ab8e1&m=e&d=c&c=72293182878423&oid=kwd-72293174528283:loc-4129&qs=pressure%20washer%20reviews&lp=90396&li=&nw=o&nts=1&tid=7853647>>.*

Primary Examiner — Darlington Ly
(74) *Attorney, Agent, or Firm* — Hanley, Flight & Zimmerman, LLC

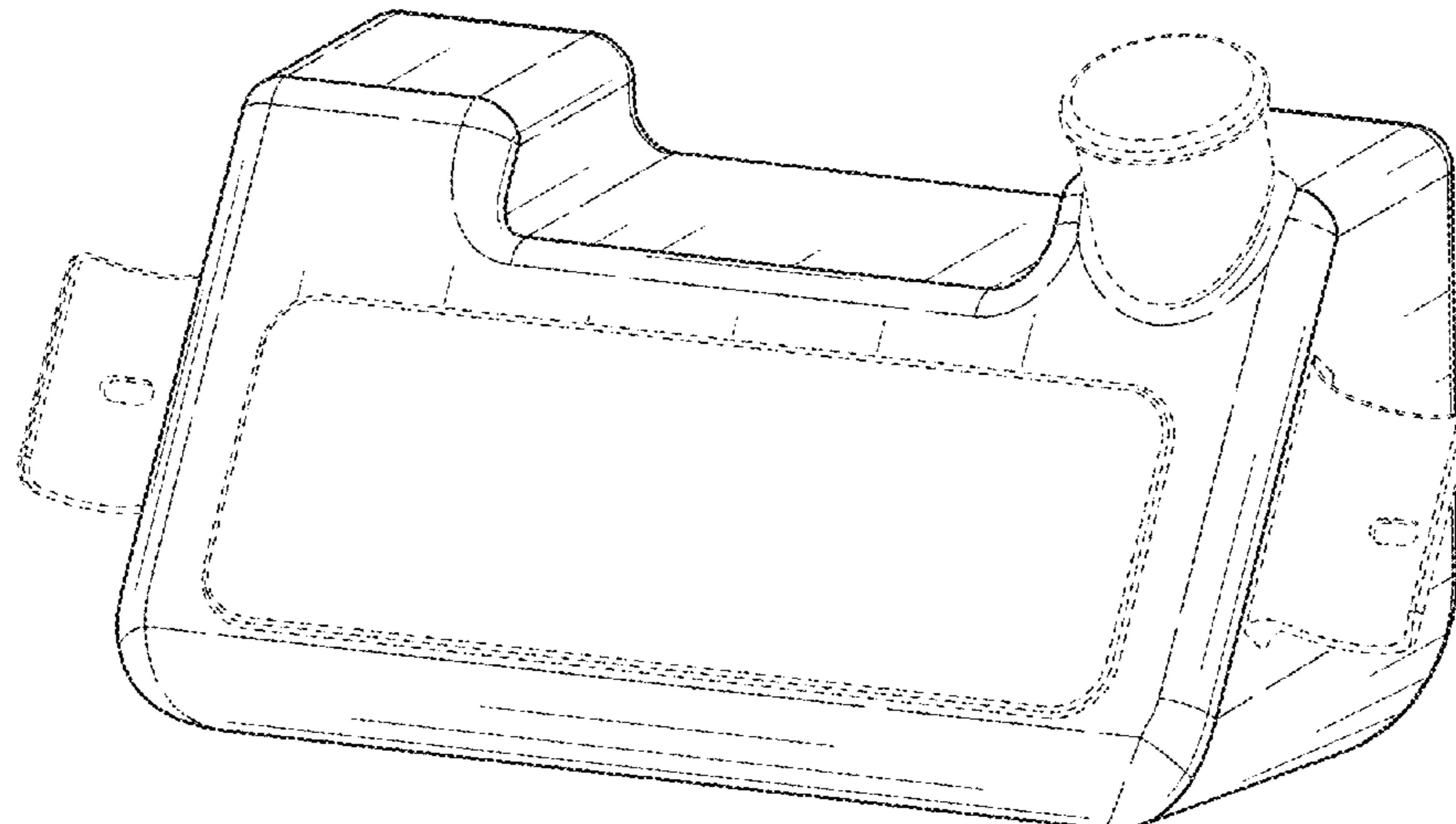
(57) **CLAIM**

The ornamental design for a fluid container, as shown and described.

DESCRIPTION

FIG. 1 is a front, right perspective view of a fluid container. The fluid container can be used with a pressure washer. The fluid container can contain a soap and water mixture for use with a pressure washer.
FIG. 2 is a front view of the fluid container of FIG. 1.
FIG. 3 is a rear view of the fluid container of FIG. 1.
FIG. 4 is a right side view of the fluid container of FIG. 1.
FIG. 5 is a left side view of the fluid container of FIG. 1.
FIG. 6 is a top view of the fluid container of FIG. 1.
FIG. 7 is a bottom view of the fluid container of FIG. 1.
FIG. 8 is a perspective view of the fluid container of FIG. 1 shown with a pressure washer cart.
FIG. 9 is a front view of the example fluid container of FIG. 8.
FIG. 10 is a rear view of the example fluid container of FIG. 8.
FIG. 11 is a left side view of the example fluid container of FIG. 8.
FIG. 12 is a right side view of the example fluid container of FIG. 8.
FIG. 13 is a top view of the example fluid container of FIG. 8; and,
FIG. 14 is a bottom view of the example fluid container of FIG. 8.
The features shown in dashed or broken lines form no part of the claimed design.

1 Claim, 10 Drawing Sheets



(56)

References Cited

U.S. PATENT DOCUMENTS

D872,135 S * 1/2020 Wise D15/28
D890,674 S * 7/2020 Tafe D12/218
D909,276 S * 2/2021 Monell D12/218
D942,920 S * 2/2022 Monell D12/218
2001/0052355 A1* 12/2001 Hoenisch B08B 3/026
134/123
2015/0102121 A1* 4/2015 Dey B05B 9/01
239/69
2020/0398320 A1* 12/2020 Cole B08B 9/093
2021/0078049 A1* 3/2021 Nushart E01H 1/101

* cited by examiner

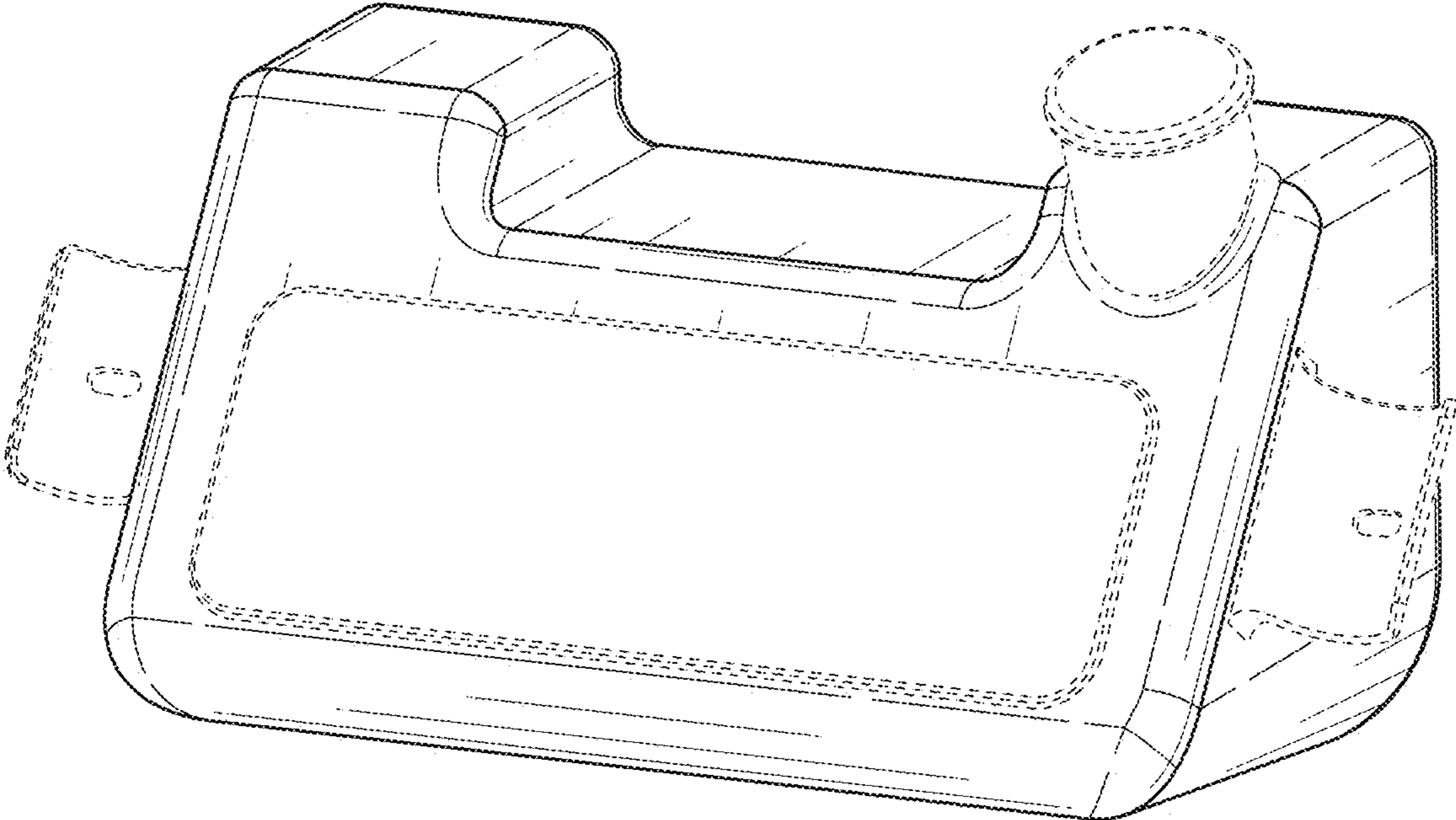


FIG. 1

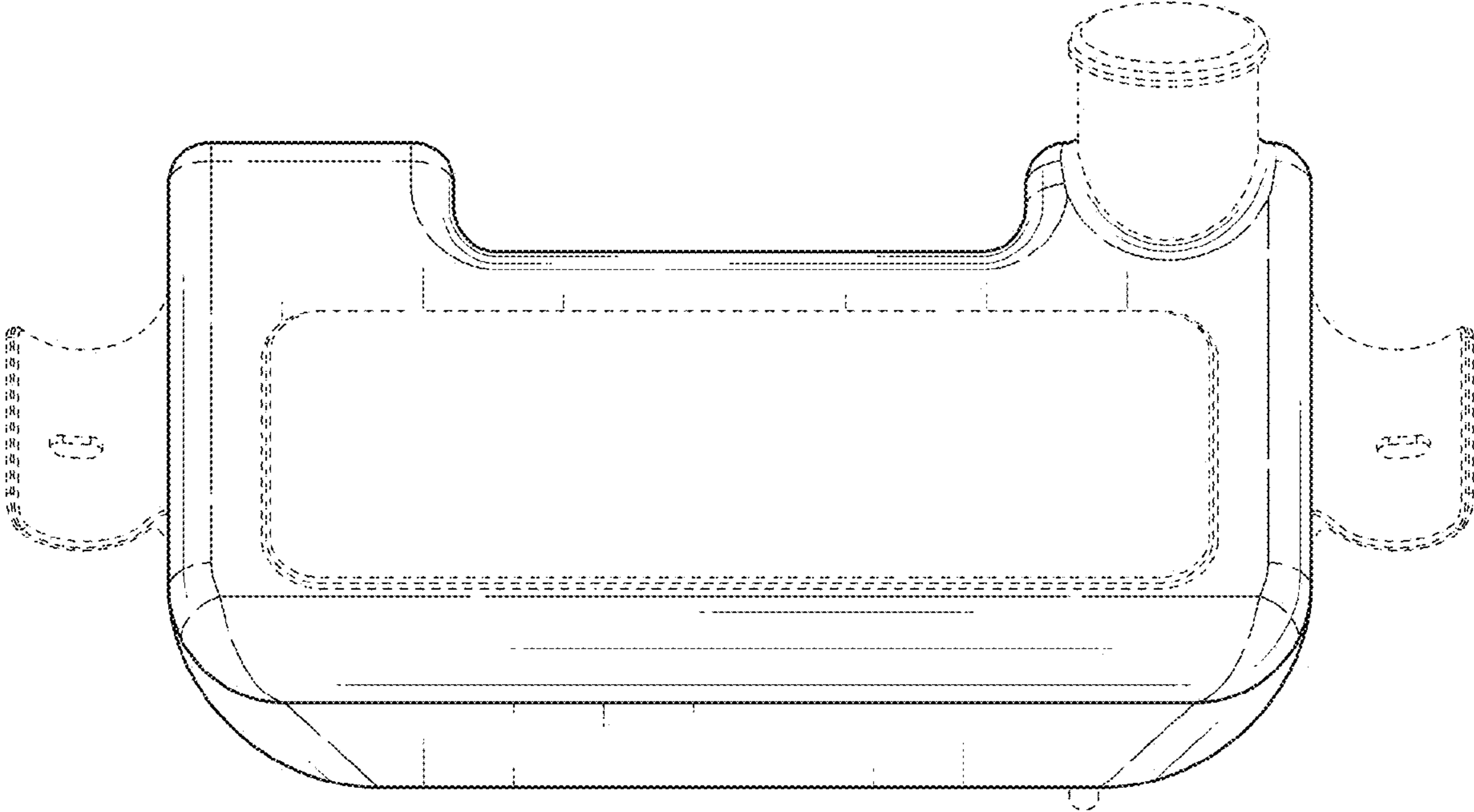


FIG. 2

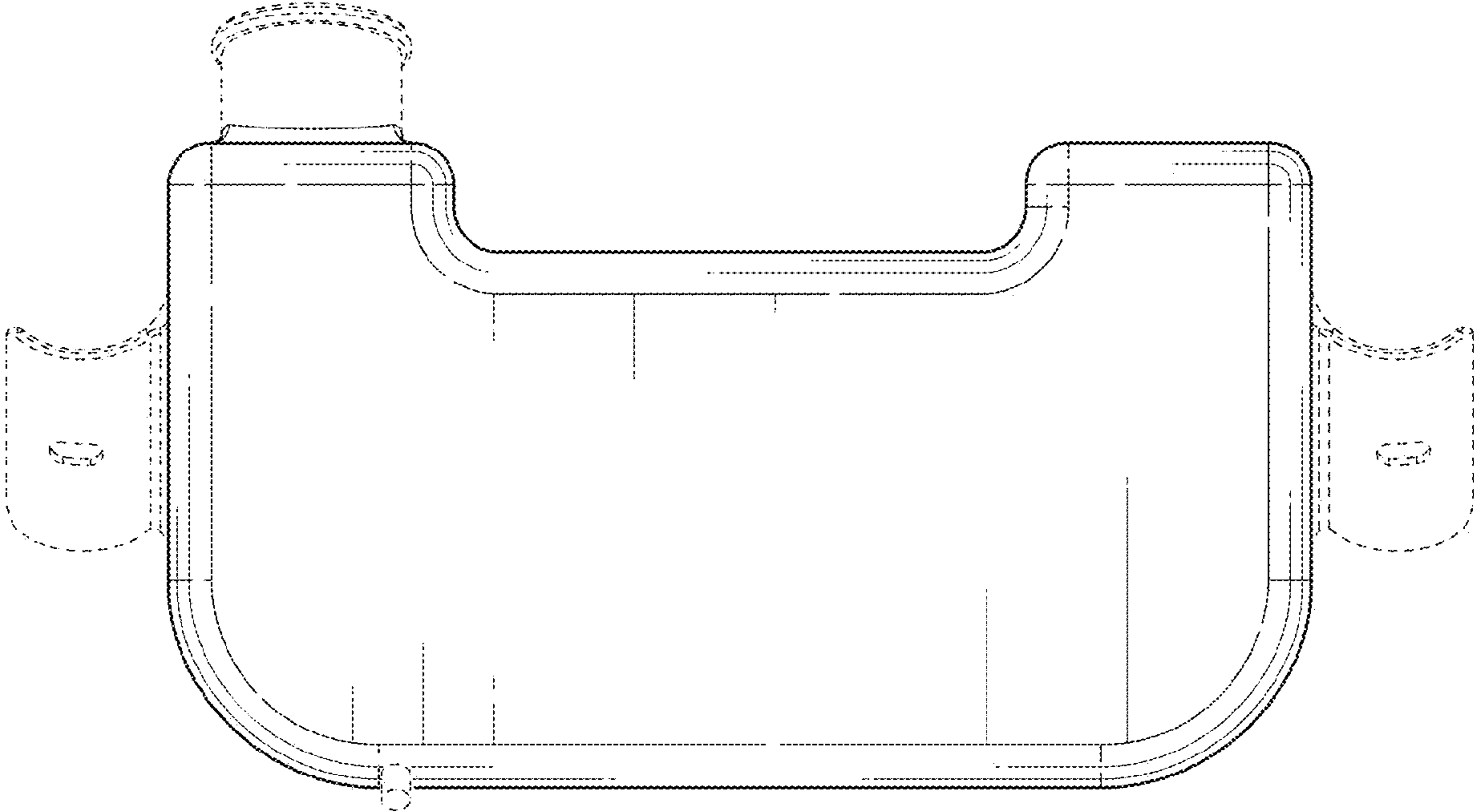


FIG. 3

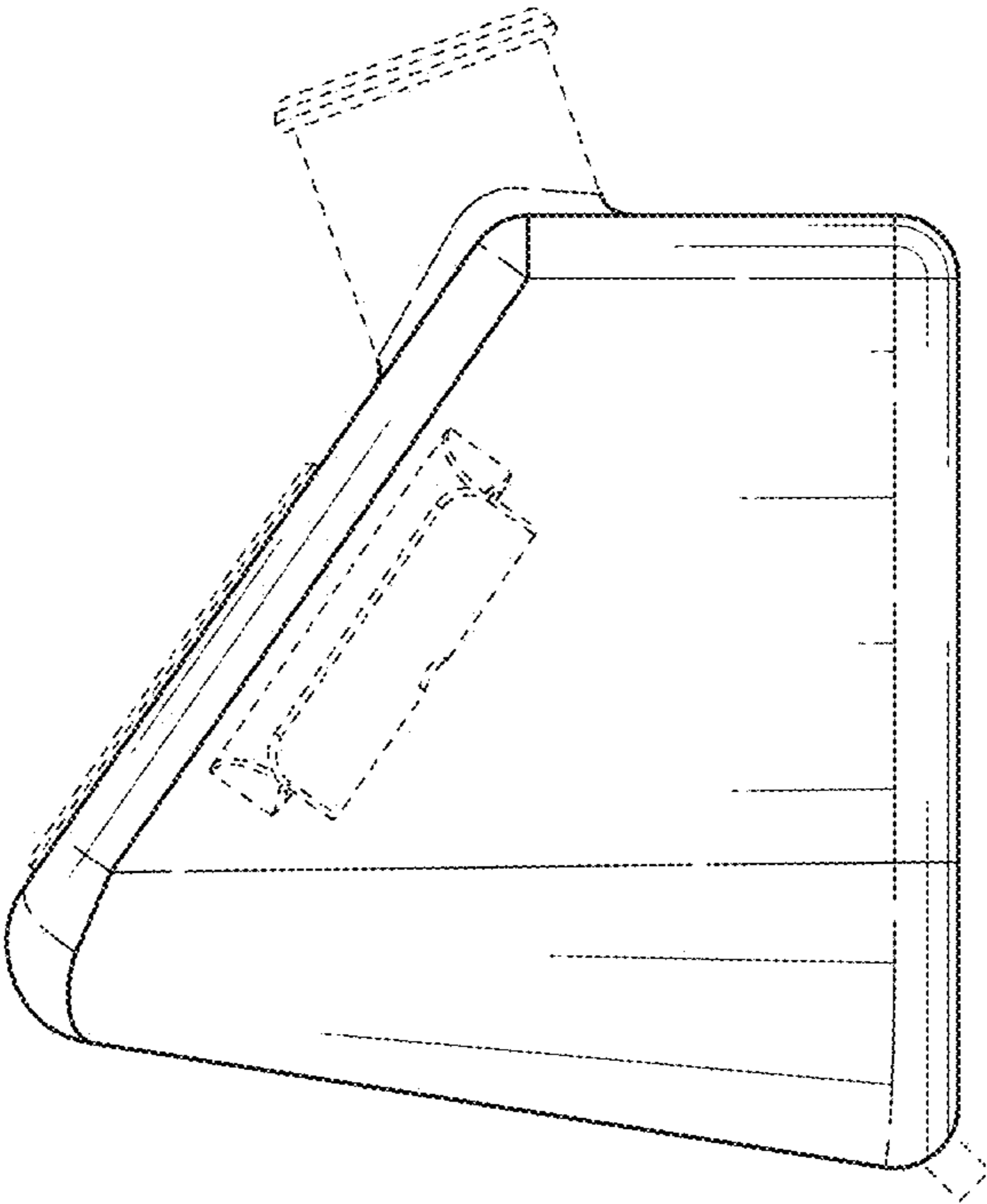


FIG. 4

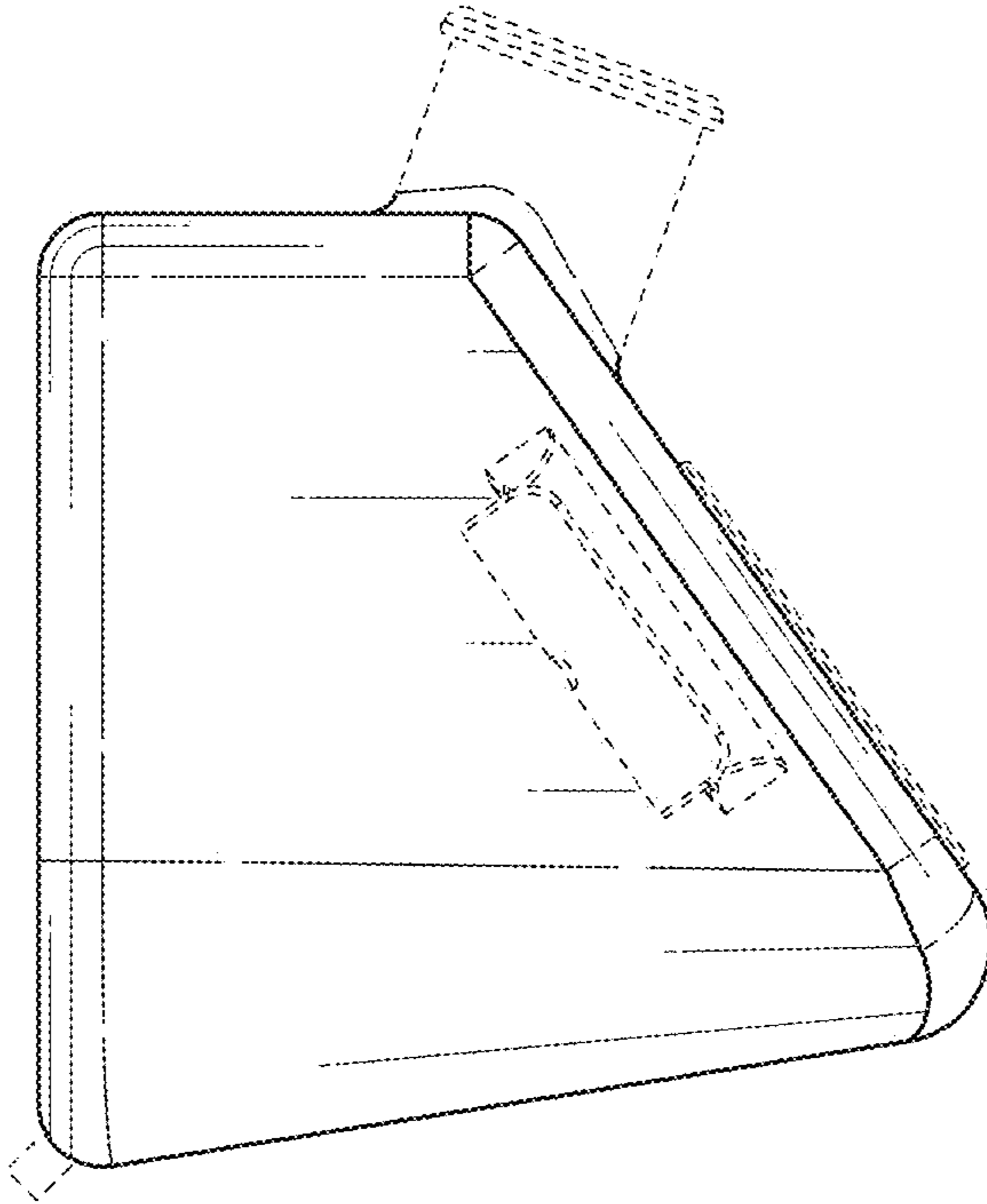


FIG. 5

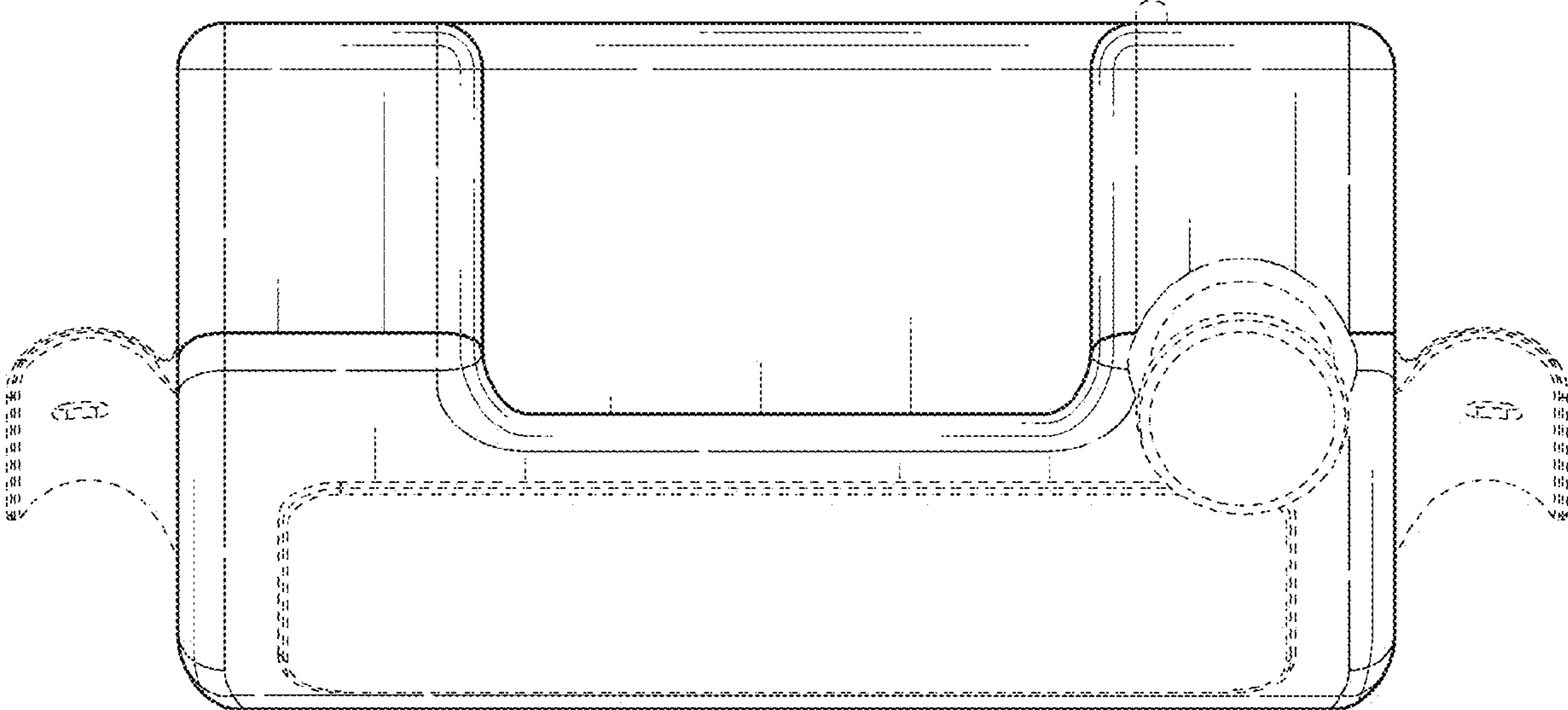


FIG. 6

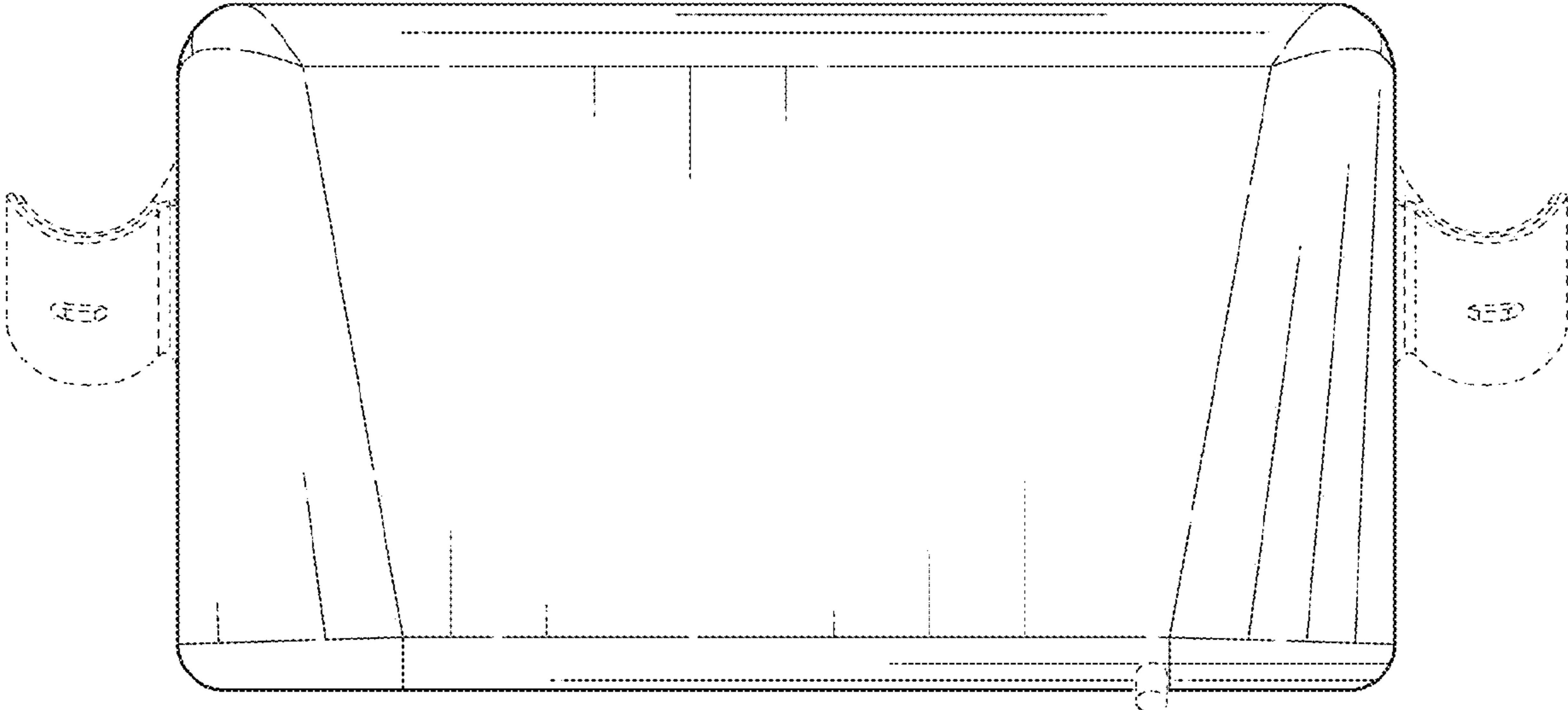


FIG. 7

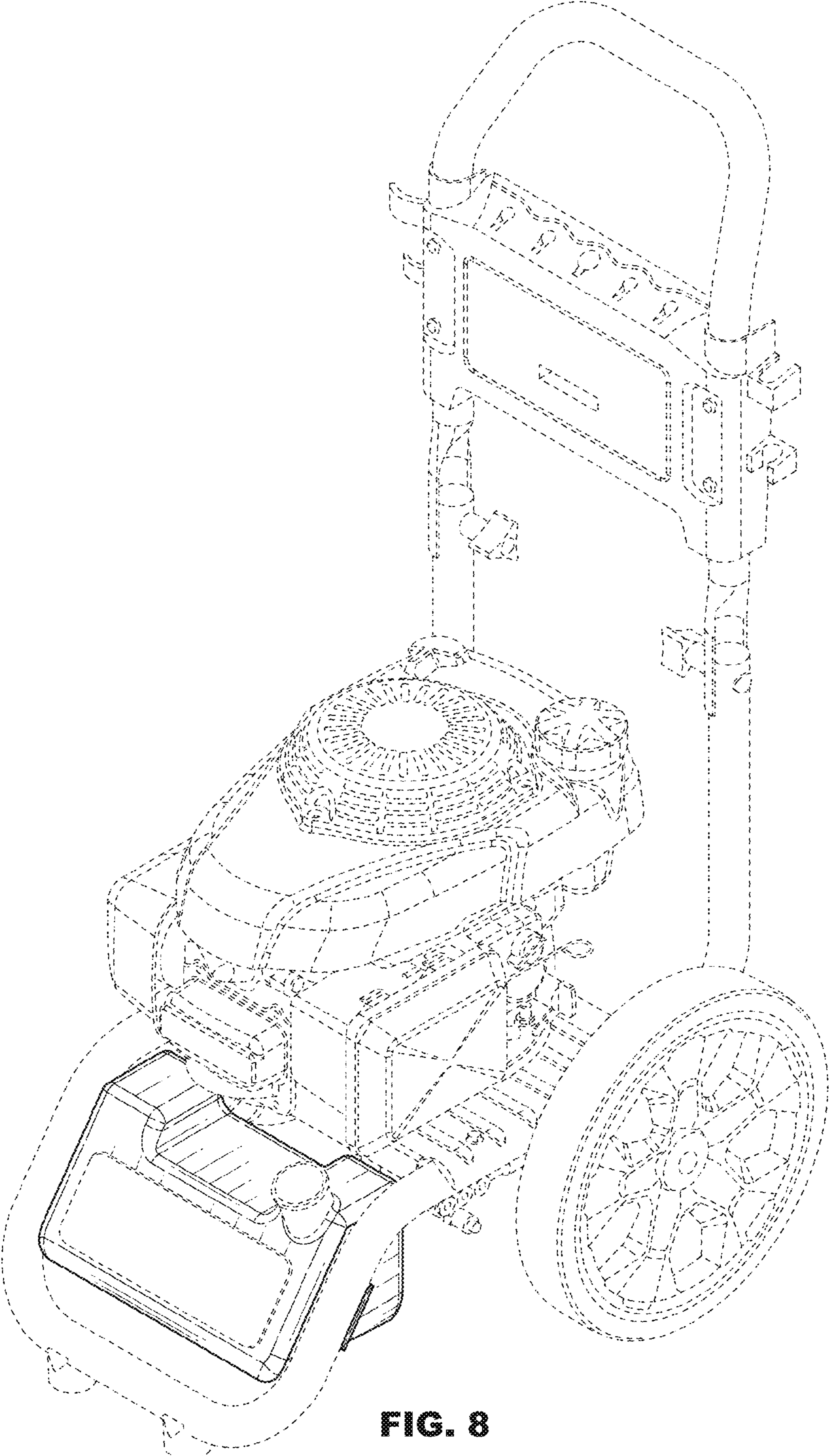


FIG. 8

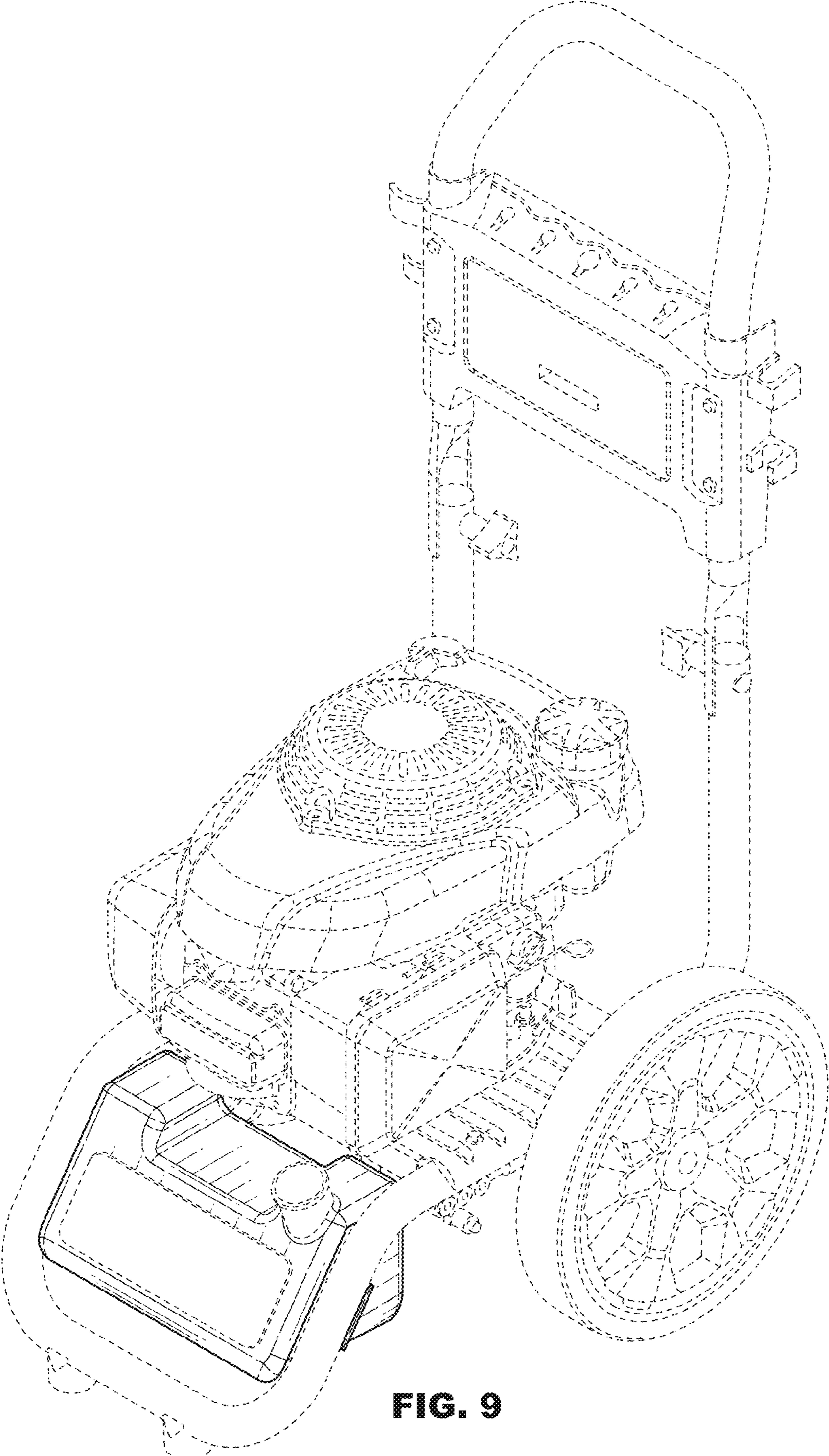


FIG. 9

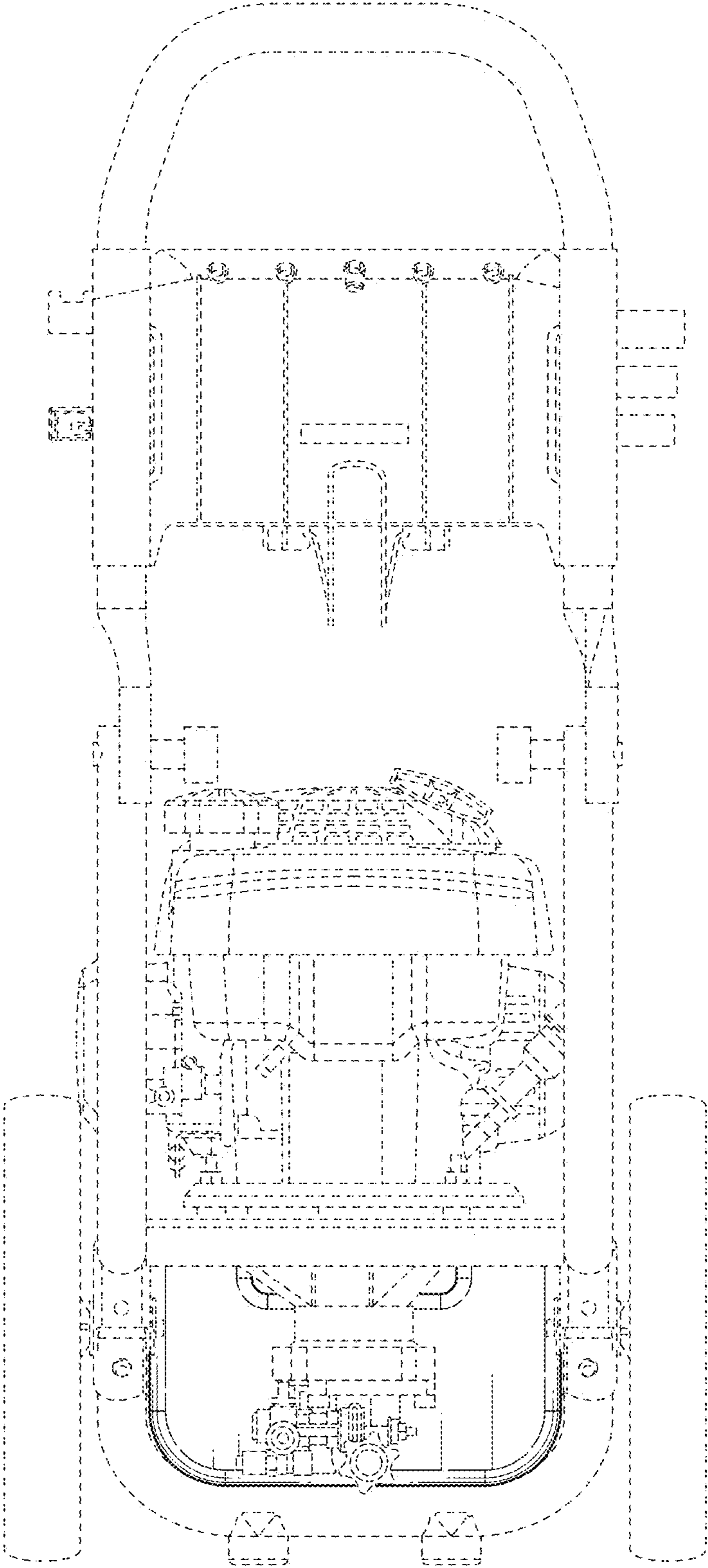


FIG. 10

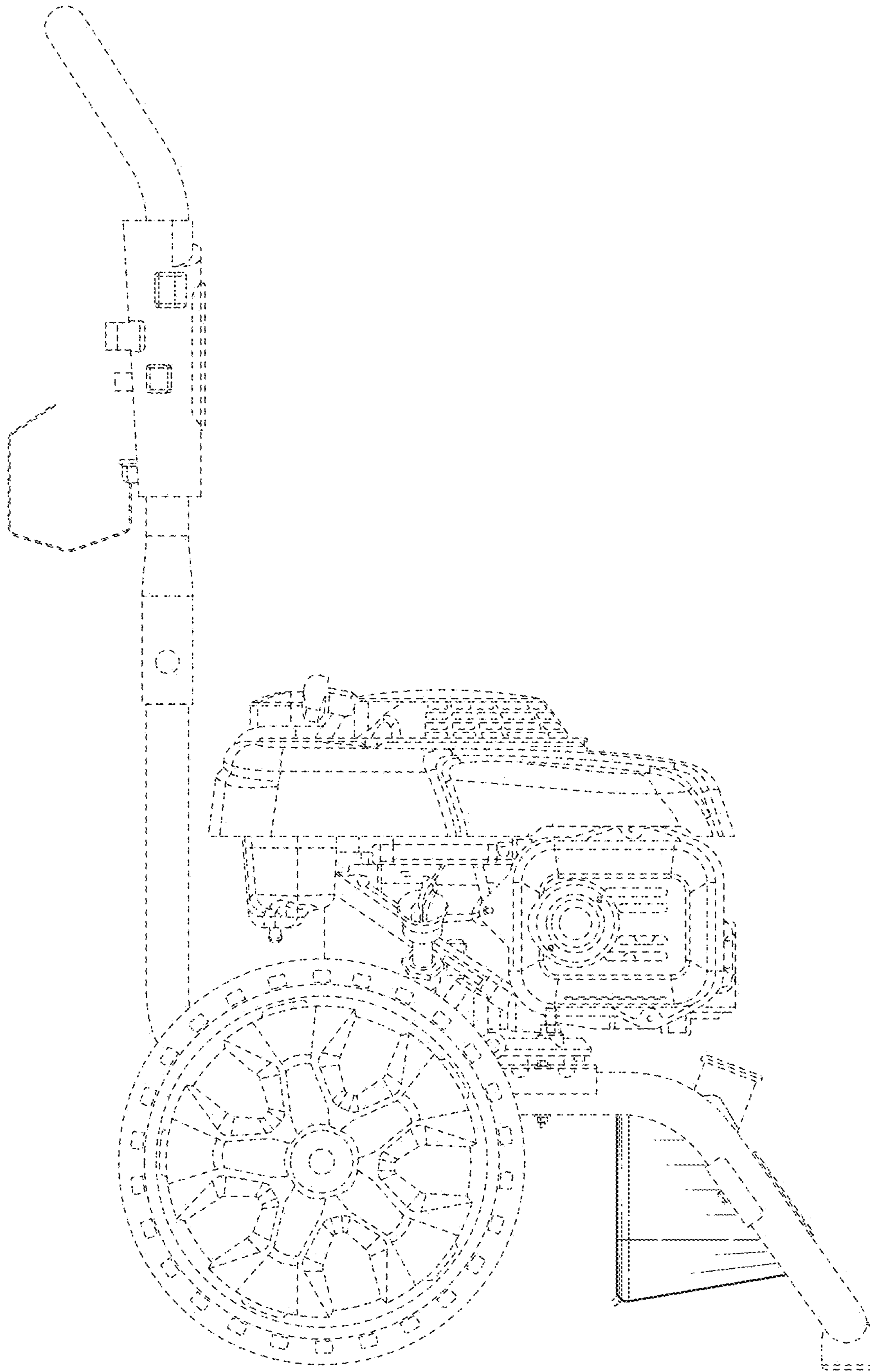


FIG. 11

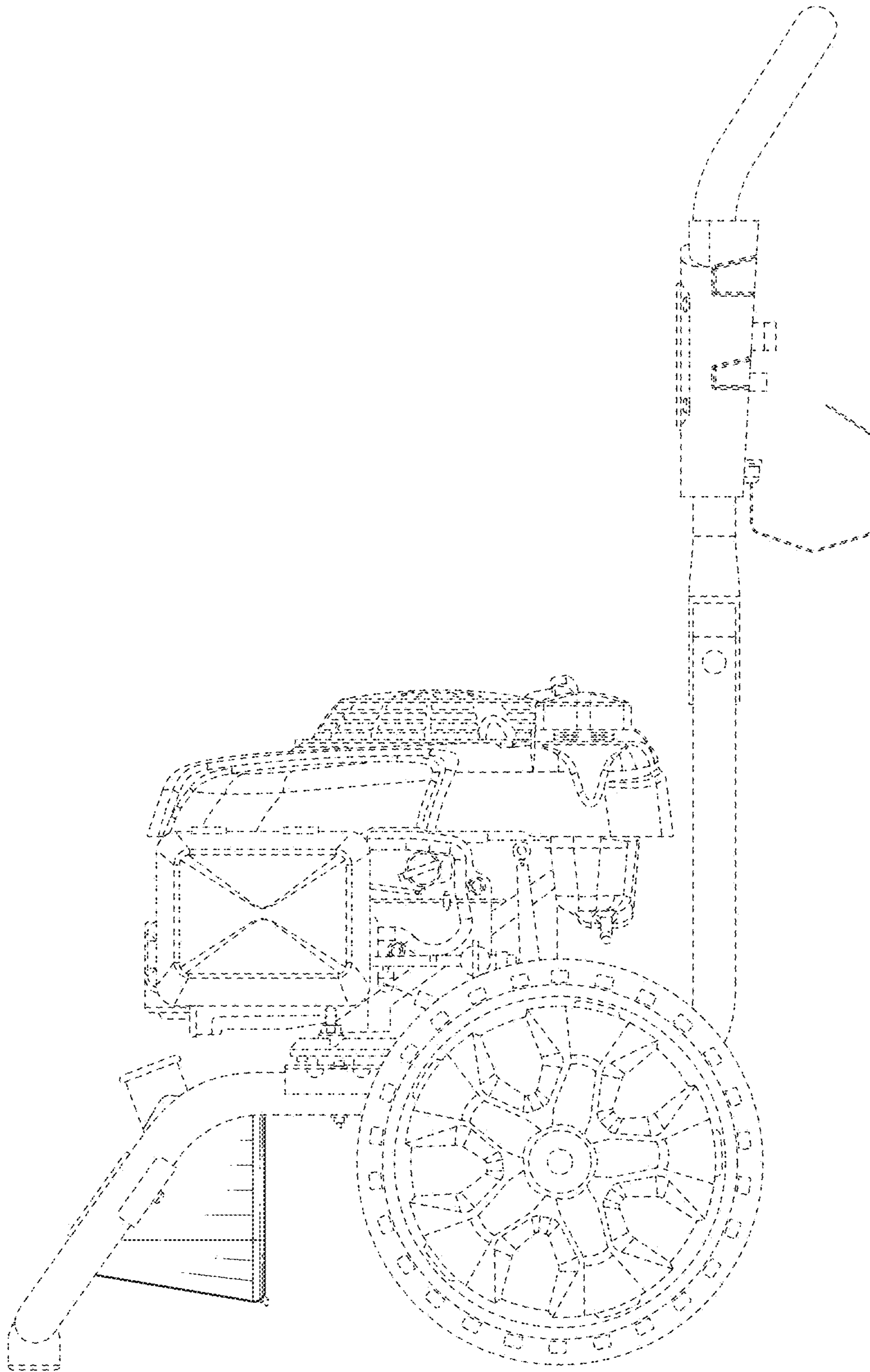


FIG. 12

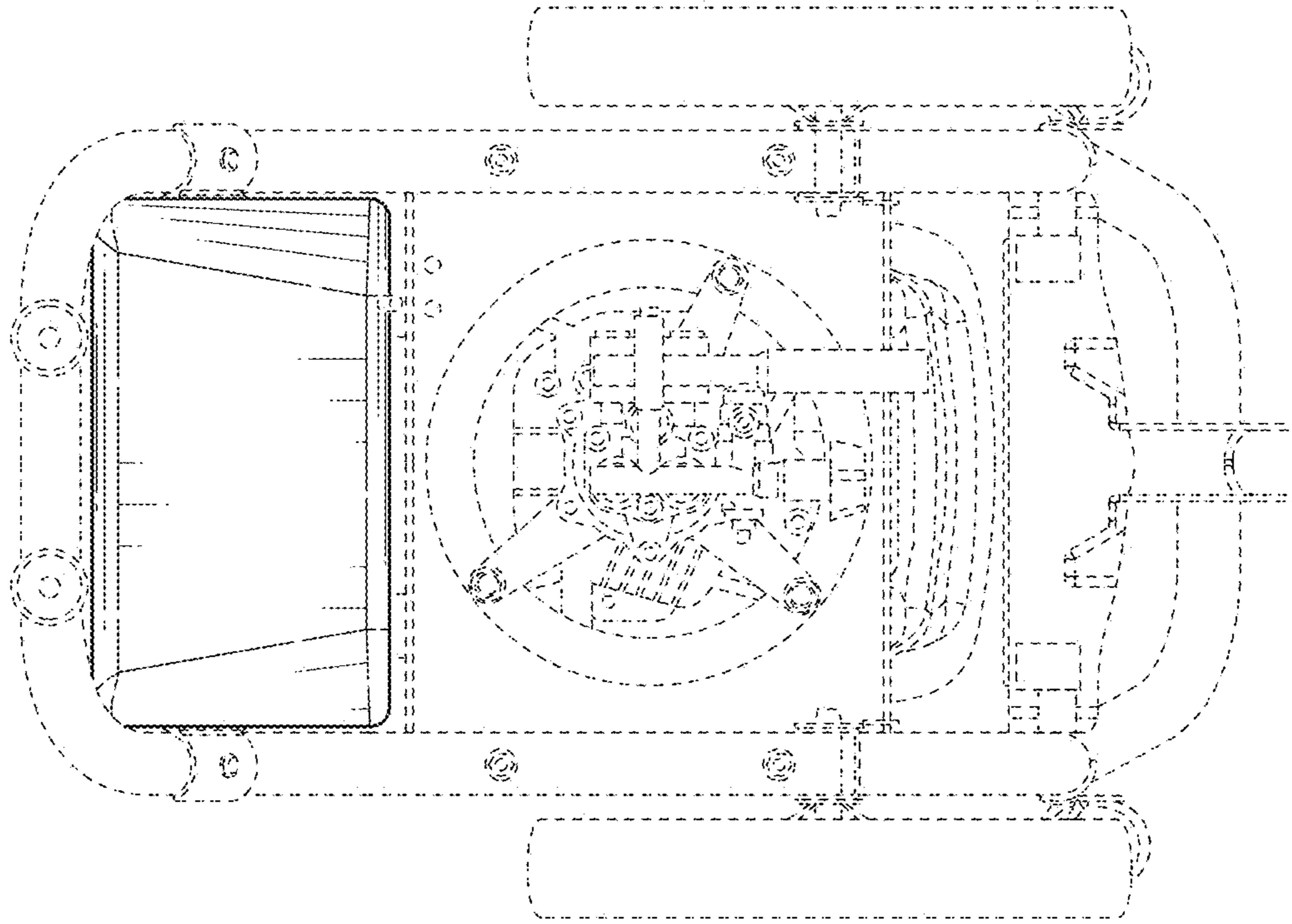


FIG. 14

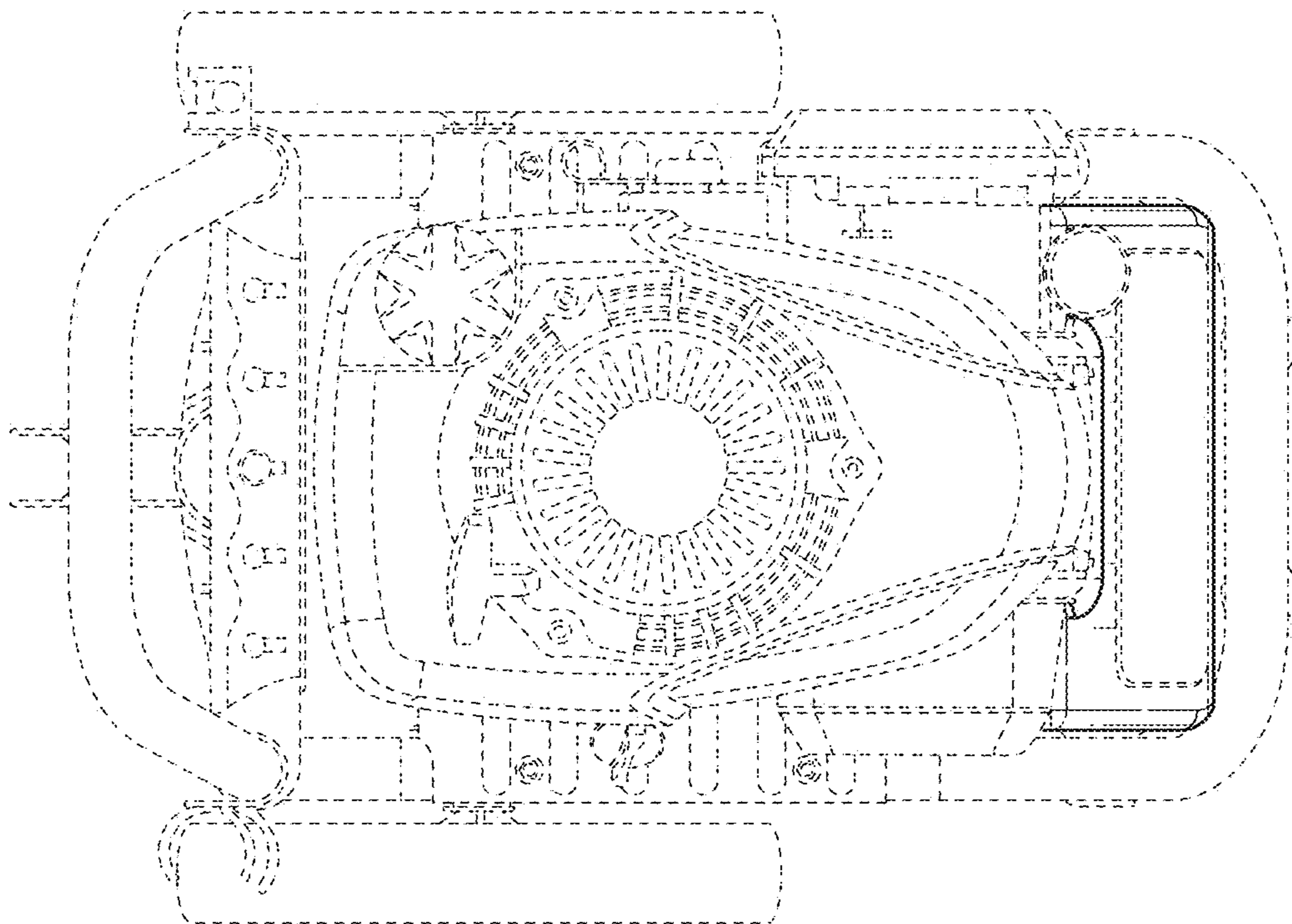


FIG. 13