



US00D974271S

(12) **United States Design Patent** (10) **Patent No.:** **US D974,271 S**
Lu (45) **Date of Patent:** **** Jan. 3, 2023**

(54) **SAND ANCHOR**
(71) Applicant: **Gongming Lu**, Ganzhou (CN)
(72) Inventor: **Gongming Lu**, Ganzhou (CN)
(**) Term: **15 Years**

D855,968 S * 8/2019 Hu D3/10
D859,808 S * 9/2019 Goldszer D3/10
D877,486 S * 3/2020 Chen D3/10
D911,132 S * 2/2021 Zhou D8/388
D913,780 S * 3/2021 Hudson D13/102
(Continued)

(21) Appl. No.: **29/804,231**
(22) Filed: **Aug. 19, 2021**

FOREIGN PATENT DOCUMENTS

CN 306892043 * 10/2021
GB 6208619 * 5/2022

(51) **LOC (14) Cl.** **12-16**
(52) **U.S. Cl.**
USPC **D12/215**; D8/349
(58) **Field of Classification Search**
USPC D3/10, 12, 17; D8/387, 388, 391, 393;
D21/840; D25/126, 199
CPC E04H 12/2215; A45B 23/00; E02D 27/14;
E02D 27/42; E02D 5/801; E04F
15/02183; E04F 15/02044
See application file for complete search history.

OTHER PUBLICATIONS

Amazon.com _ itayak Boat Sand Anchor First Available Jan. 20, 2022 https://www.amazon.com/dp/B09QRY65Y/ref=sspa_dk_detail_4?pd_rd_i=B09QRY65Y&pd_rd_w=Qlvyb&content-id=amzn1.sym.ea4fd32b-1001-4f9b-9dd5-0bce86fe8110&pf_rd_p=ea4fd32b-1001-4f9b-9dd5-0bce86fe8110&pf_rd_r=SQBFF7B1XFEQV303XT4Z&pd_rd_wg=FRAMi&pd_rd_r=a5517982-ab2f-4984-bbcc-44556981612f&s=sporting-goods&sp_csd=d2lkZ2V0TmFtZT1zeF9kZXRhaWxhdGhlbWF0aWM&spLa=ZW5jcnlwdGVkUXVhbGlmaWVyPUEwU1hGVU1hGVTgwTjROUUVUJmVuY3J5cHRlZGlkPUEwNTE4MjZWTZWTUg0UEtHVVYJmVuY3J5cHRlZEFkSWQ9QTA1NDY4MjcyRk5DSk51RVhUMUhsJndpZGldE5hbWU9c3BfZGV0YWIsX3RoZW1hdGJjJmFjdGlvbGlja1JlZGlzZW50JmRvTm90TG9nQ2xpY2s9dHJ1ZQ&th=1
(Year: 2022).*

(56) **References Cited**

U.S. PATENT DOCUMENTS

4,387,483 A * 6/1983 Larrabee E21B 11/005
175/170
5,482,246 A * 1/1996 Derkoski E04H 12/2223
248/156
5,524,855 A * 6/1996 Lesar E04H 12/2215
248/156
D381,892 S * 8/1997 Porter D8/387
D398,363 S * 9/1998 LoBue D21/840
D402,803 S * 12/1998 Goldberg D3/12
D421,532 S * 3/2000 Koroncai D8/388
6,199,569 B1 * 3/2001 Gibson E04H 12/2223
52/157
D546,167 S * 7/2007 Noethe D8/387
D575,719 S * 8/2008 Goodwin D12/215
D605,933 S 12/2009 Gaudron
D630,834 S * 1/2011 Cohen D3/10
D633,379 S 3/2011 Chambers et al.
D649,030 S * 11/2011 Austin, III D8/387
8,656,651 B1 * 2/2014 Scarano, Jr. E04H 12/2223
52/157
D787,419 S * 5/2017 Michel D12/215
D793,208 S * 8/2017 Valdez D8/354

Primary Examiner — Leanne Was-Englehart
(74) *Attorney, Agent, or Firm* — Rumit Ranjit Kanakia

(57) **CLAIM**

The ornamental design for a sand anchor, as shown and described.

DESCRIPTION

FIG. 1 is a first perspective view of a sand anchor showing my new design;
FIG. 2 is a second perspective view thereof;
FIG. 3 is a front view thereof;
FIG. 4 is a back view thereof;
FIG. 5 is a left side view thereof;
FIG. 6 is a right side view thereof;

(Continued)

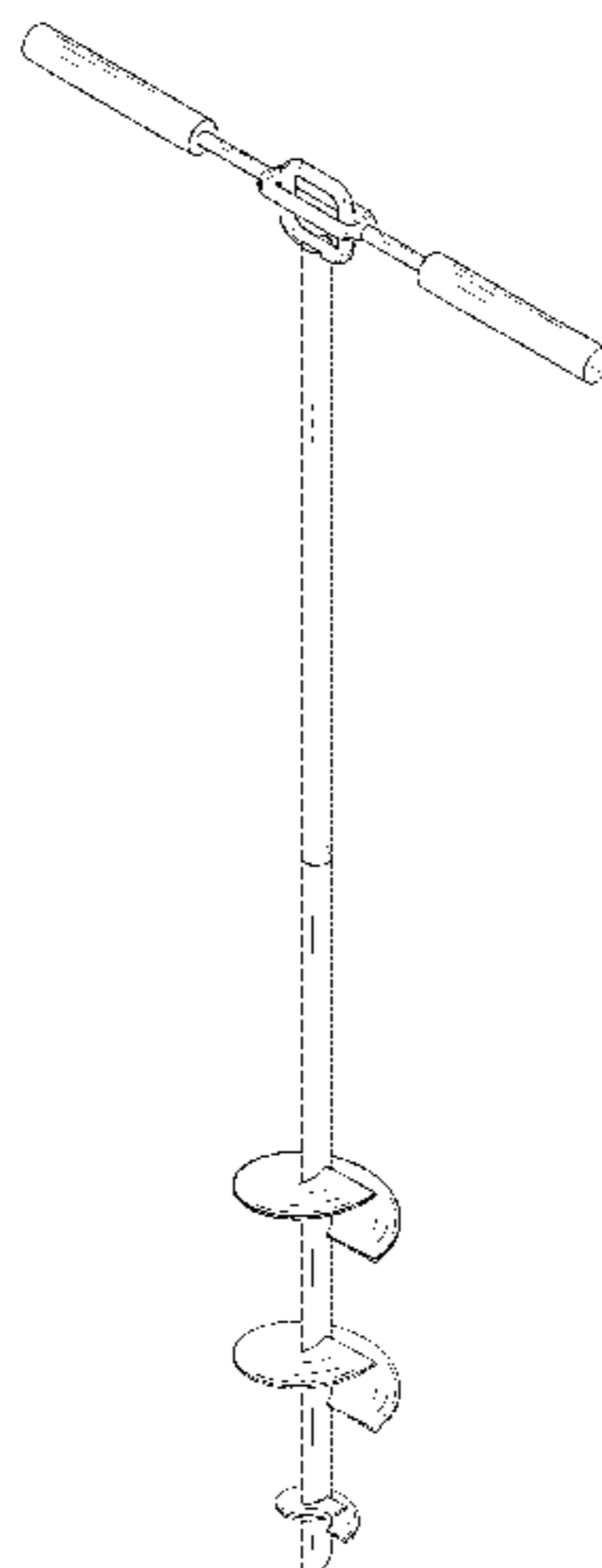


FIG. 7 is a top view thereof; and,
FIG. 8 is a bottom view thereof.
The broken lines depict portions of the sand anchor that form
no part of the claimed design.

1 Claim, 8 Drawing Sheets

(56)

References Cited

U.S. PATENT DOCUMENTS

D924,668	S *	7/2021	Brenizer, Jr.	D8/387
D930,447	S *	9/2021	Labarre	D30/154
D938,066	S *	12/2021	Aagerup	D25/61
D943,650	S *	2/2022	Li	D15/139
D944,301	S *	2/2022	Li	D15/139
D946,379	S *	3/2022	Zhao	D8/354
D964,826	S *	9/2022	Wang	D8/7
2014/0007487	A1 *	1/2014	Schwiebert	A45F 3/44
					114/295
2017/0174394	A1 *	6/2017	Pence	E05G 1/005
2019/0053588	A1 *	2/2019	Price	A45B 23/00
2019/0078387	A1 *	3/2019	Mauldin	E21B 7/027
2021/0401165	A1 *	12/2021	Zhenni	A47B 37/04

* cited by examiner

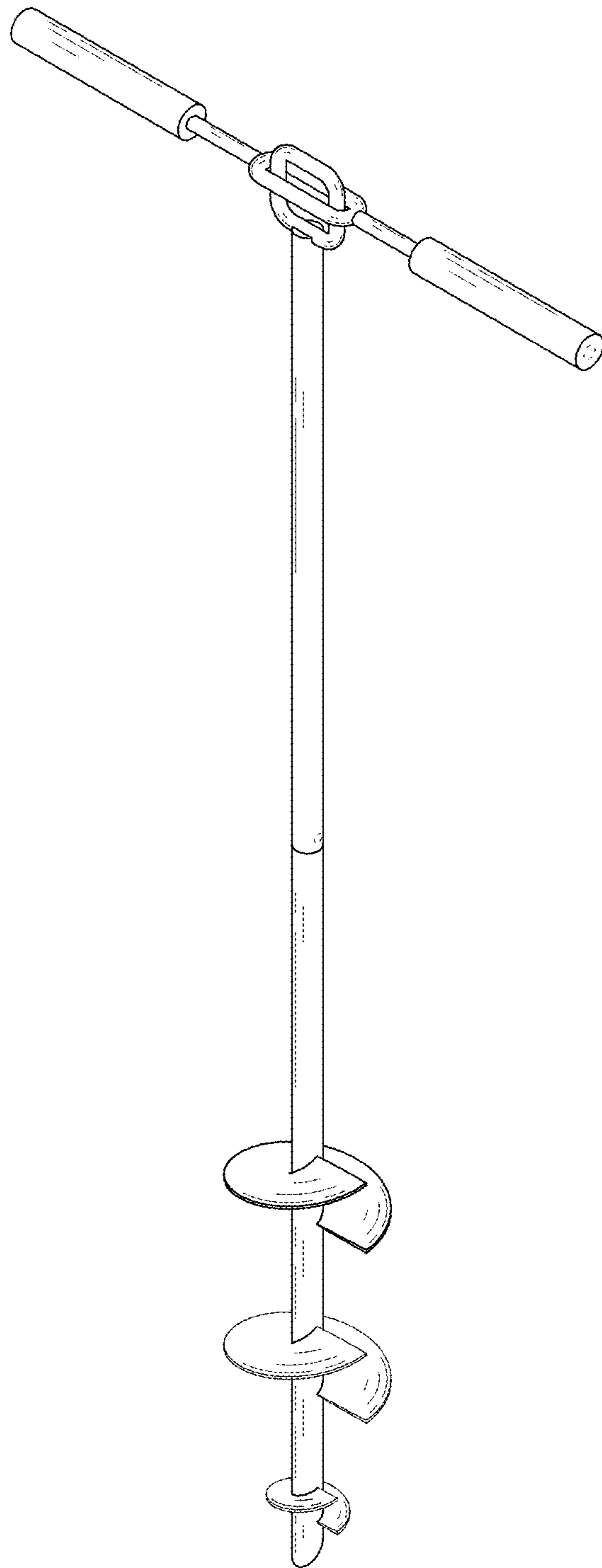


FIG. 1

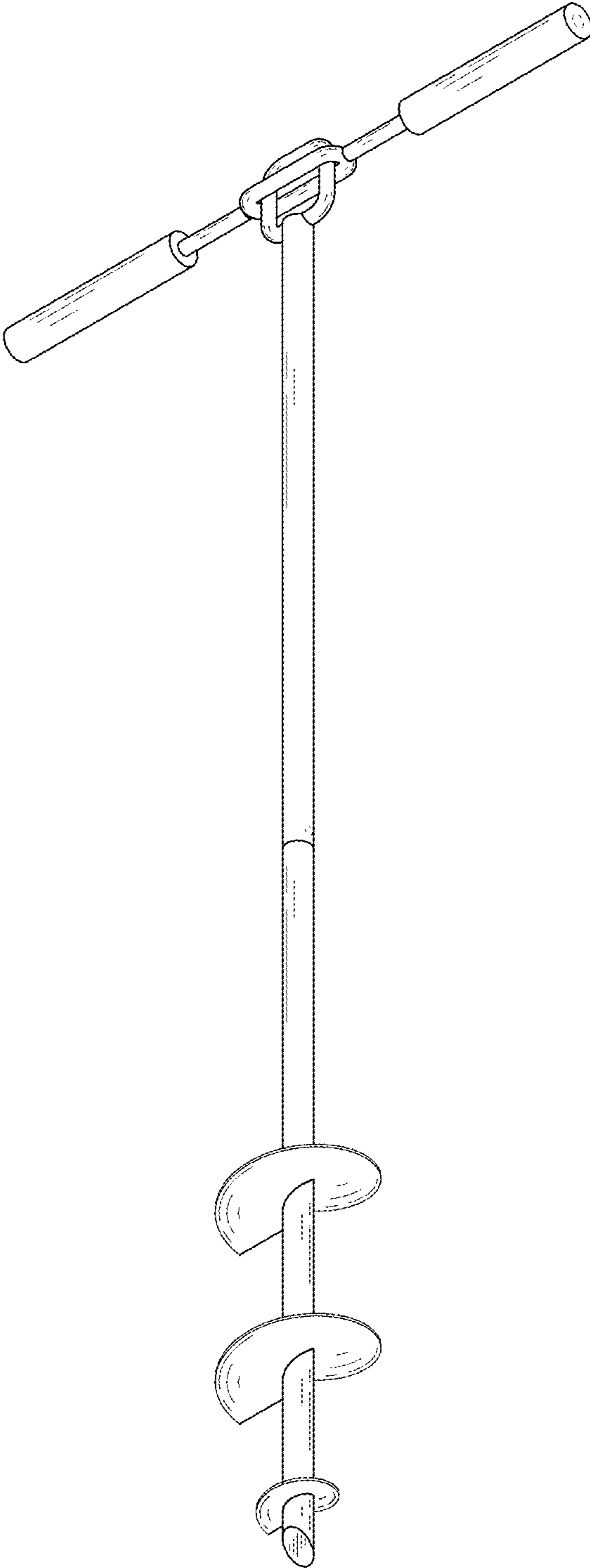


FIG. 2

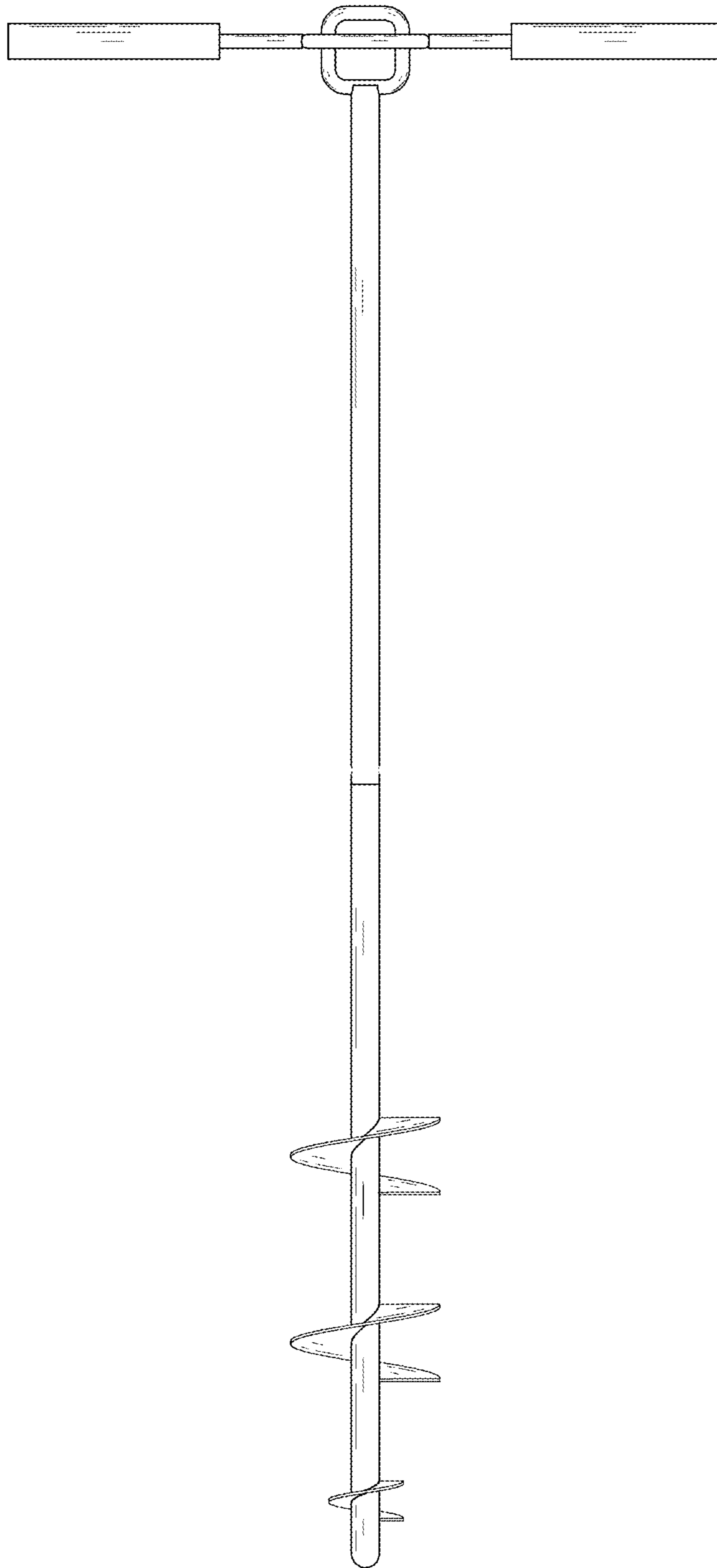


FIG. 3

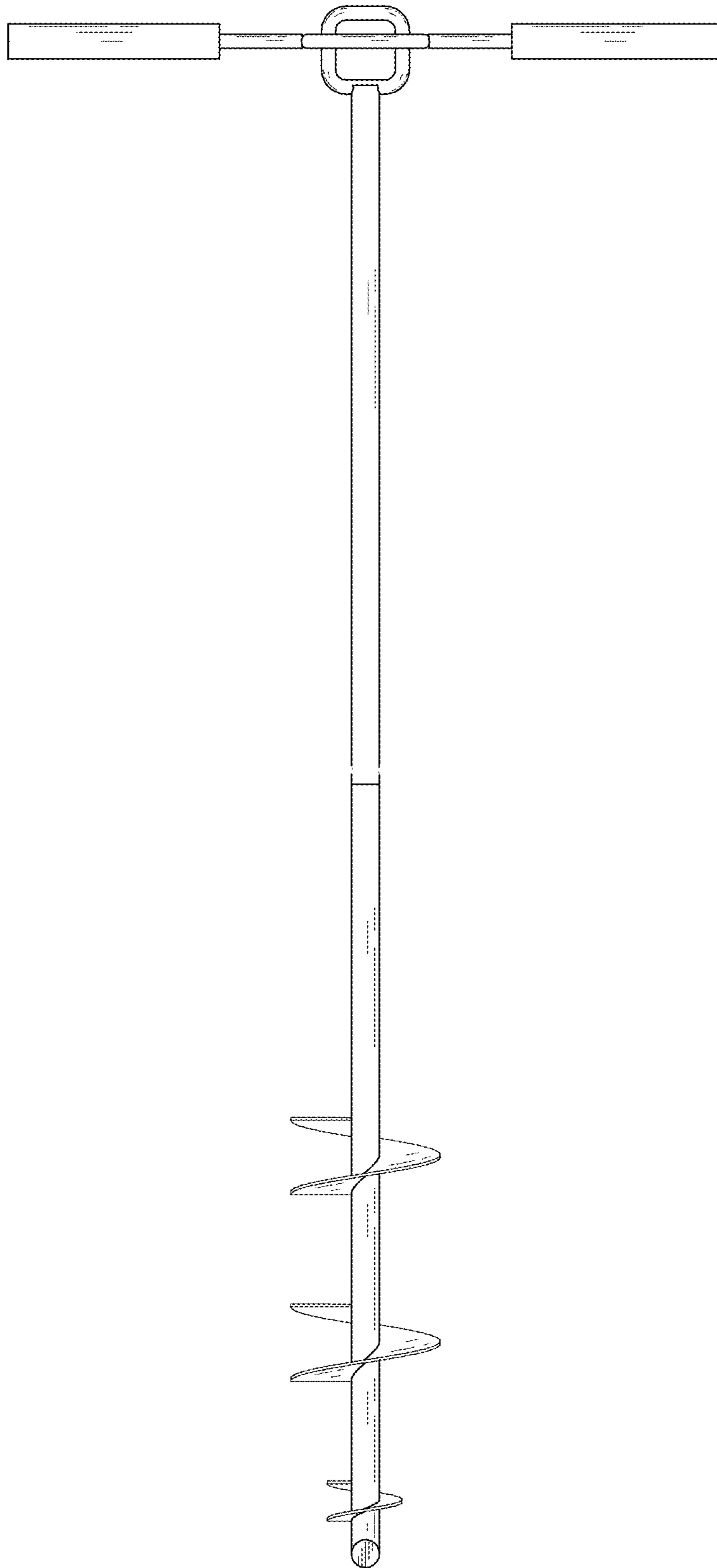


FIG. 4

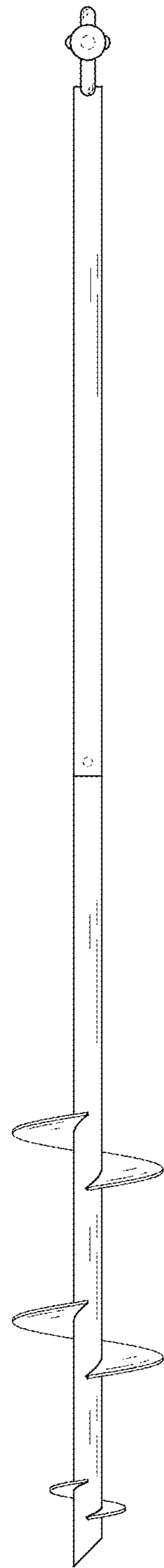


FIG. 5

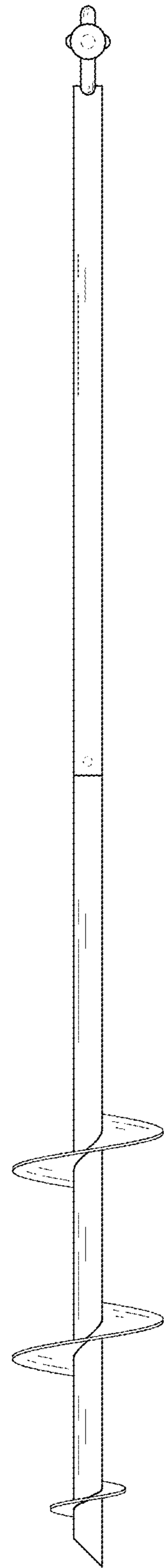


FIG. 6

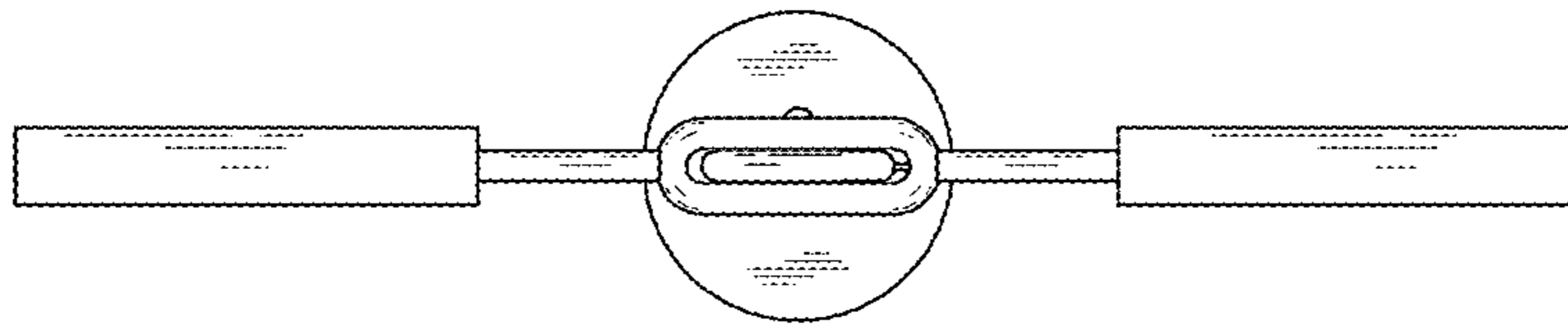


FIG. 7

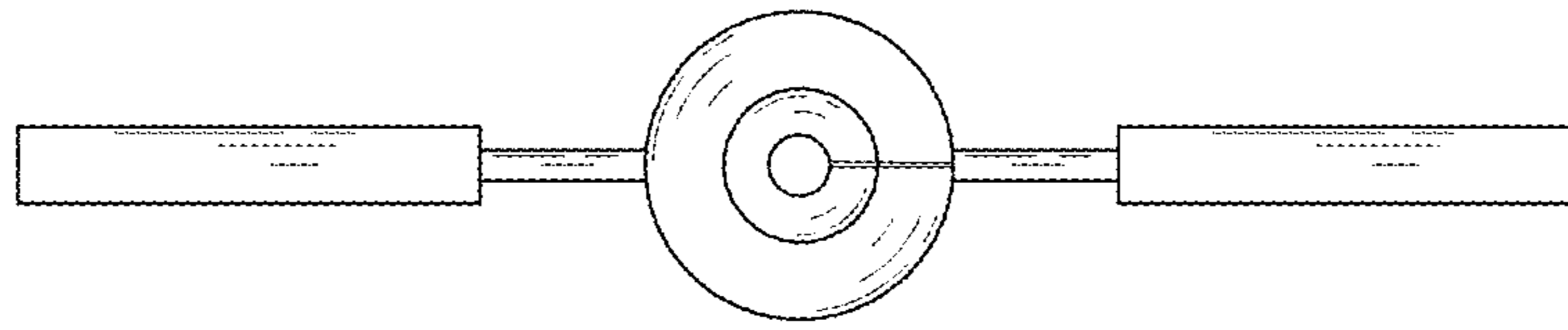


FIG. 8