



US00D974266S

(12) **United States Design Patent**
Steinhoff

(10) **Patent No.:** **US D974,266 S**

(45) **Date of Patent:** **** Jan. 3, 2023**

(54) **VEHICLE WHEEL, TOY VEHICLE WHEEL,
AND/OR REPLICAS THEREOF**

(71) Applicant: **Bayerische Motoren Werke
Aktiengesellschaft, Munich (DE)**

(72) Inventor: **Niels Joergen Steinhoff, Munich (DE)**

(73) Assignee: **Bayerische Motoren Werke
Aktiengesellschaft, Munich (DE)**

(**) Term: **15 Years**

(21) Appl. No.: **29/784,551**

(22) Filed: **May 20, 2021**

(30) **Foreign Application Priority Data**

Nov. 26, 2020 (DE) 402020101119.3

(51) **LOC (14) Cl.** **12-16**

(52) **U.S. Cl.**
USPC **D12/209; D21/563; D12/211**

(58) **Field of Classification Search**
USPC D12/204–213; D21/533, 548–550, 563
CPC B60B 7/00; B60B 7/02; B60B 7/04; B60B
7/01; B60B 7/06; B60B 3/02; B60B 3/04;
B60B 3/06; B60B 3/10; B60B 1/00;
B60B 1/08; B60B 1/10; B60B 1/12
See application file for complete search history.

(56) **References Cited**

U.S. PATENT DOCUMENTS

D247,808 S *	5/1978	Woodward	D12/211
D402,952 S	12/1998	Sycha		
D445,084 S *	7/2001	Mendez	D12/211
D452,470 S	12/2001	Gabath		
D528,494 S *	9/2006	Osborne	D12/209
D579,396 S *	10/2008	Osborne	D12/209
D580,335 S *	11/2008	Choi	D12/211

D581,850 S	12/2008	Leclercq		
D613,228 S	4/2010	Juergens et al.		
D640,178 S *	6/2011	Groom	D12/211
D673,090 S *	12/2012	Lemke	D12/204
D736,130 S *	8/2015	Wheel	D12/209
D783,488 S *	4/2017	Platto	D12/209
D818,928 S *	5/2018	Myrberg	D12/209
D823,775 S *	7/2018	Sempek	D12/211
D833,362 S *	11/2018	Bjerke	D12/211

(Continued)

FOREIGN PATENT DOCUMENTS

EM	000854476-0002	3/2008
EM	001598277-0005	1/2010

(Continued)

Primary Examiner — Calvin E Vansant

(74) *Attorney, Agent, or Firm* — Crowell & Moring LLP

(57) **CLAIM**

The ornamental design for a vehicle wheel, toy vehicle wheel, and/or replicas thereof, as shown and described.

DESCRIPTION

This application contains subject matter related to the following co-pending U.S. design patent application: Application Ser. No. 29/760,122, filed Nov. 30, 2020 and entitled “Vehicle Wheel, Toy Vehicle Wheel, and/or Replicas Thereof.”

FIG. 1 is a perspective view of a vehicle wheel, toy vehicle wheel, and/or replicas thereof according to the design;

FIG. 2 is an additional perspective view thereof;

FIG. 3 is an additional perspective view thereof;

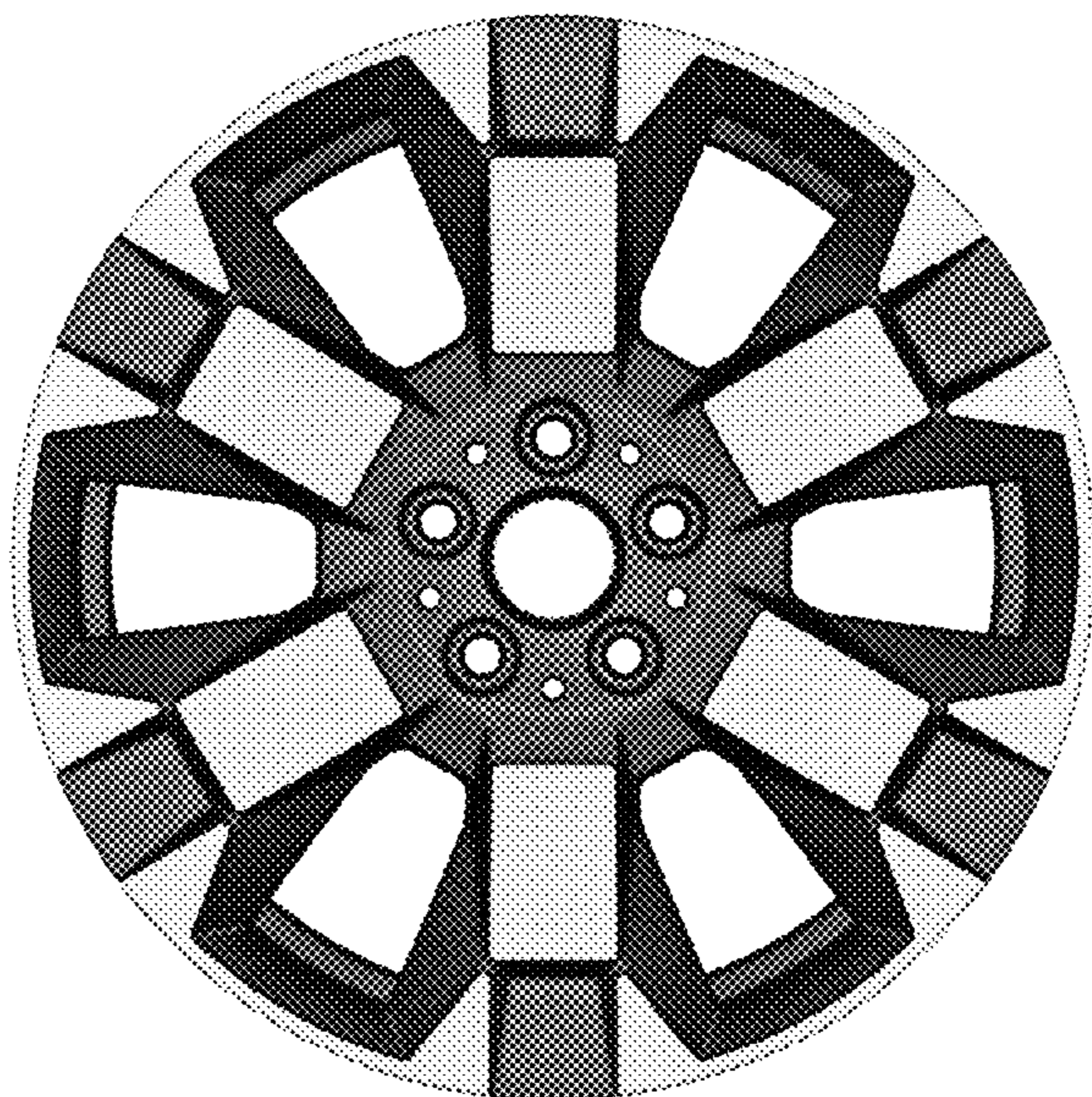
FIG. 4 is a front view thereof;

FIG. 5 is a rear view thereof; and,

FIG. 6 is a side view thereof.

The rear view is shown in a lighter gray scale, representing environmental features that form no part of the claimed design.

1 Claim, 6 Drawing Sheets



(56)

References Cited

U.S. PATENT DOCUMENTS

D849,641	S	*	5/2019	Tovey	D12/209
D854,484	S	*	7/2019	Zhang	D12/211
D855,003	S	*	7/2019	Zhang	D12/211
D855,545	S	*	8/2019	Morgenstern	D12/211
D859,271	S	*	9/2019	Hejtmanek	D12/211
D918,811	S	*	5/2021	VanRyn	D12/209
D922,293	S	*	6/2021	Kaoud	D12/209

FOREIGN PATENT DOCUMENTS

WO	WO DM/042080	1/1998
WO	WO DM/054611	2/2001
WO	WO DM/056821	9/2001

* cited by examiner



Fig. 1



Fig. 2



Fig. 3



Fig. 4

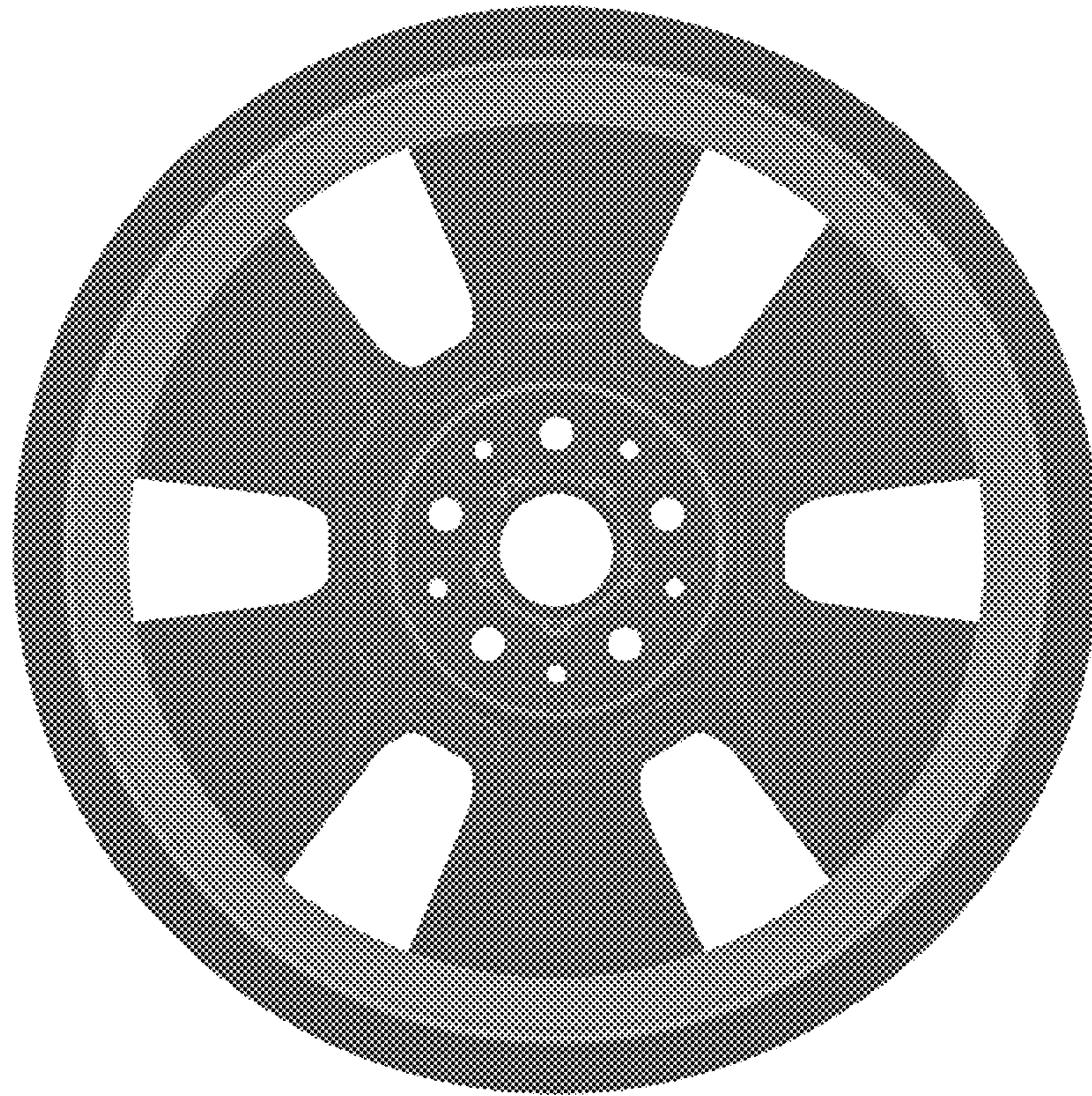


Fig. 5



Fig. 6