



US00D974264S

(12) **United States Design Patent** (10) **Patent No.:** **US D974,264 S**
Hernandez (45) **Date of Patent:** **** Jan. 3, 2023**

(54) **VEHICLE WHEEL**
(71) Applicant: **GM GLOBAL TECHNOLOGY OPERATIONS LLC**, Detroit, MI (US)
(72) Inventor: **Pedro Hernandez**, Miami, FL (US)
(73) Assignee: **GM Global Technology Operations LLC**, Detroit, MI (US)
(**) Term: **15 Years**
(21) Appl. No.: **29/775,964**

D282,159 S 1/1986 Schell et al.
D285,675 S 9/1986 Chandler
D285,676 S 9/1986 Clark
D285,677 S 9/1986 Menking
D285,786 S 9/1986 Munson
D291,879 S 9/1987 Boyle et al.
D292,389 S 10/1987 Boyle et al.
D292,390 S 10/1987 Ruzzin
D292,568 S 11/1987 Cafaro et al.
D292,569 S 11/1987 Cafaro et al.
D292,572 S 11/1987 Schell et al.
D292,574 S 11/1987 Cafaro et al.
D292,906 S 11/1987 Menking et al.
D292,907 S 11/1987 Cafaro et al.
D294,342 S 2/1988 Chapman

(Continued)

(22) Filed: **Mar. 26, 2021**
(51) **LOC (14) Cl.** **12-16**
(52) **U.S. Cl.**
USPC **D12/209**
(58) **Field of Classification Search**
USPC D12/204–213; D21/563
CPC B60B 21/00; B60B 21/02; B60B 21/08;
B60B 21/10; B60B 21/12; B60B 21/06;
B60B 23/00
See application file for complete search history.

FOREIGN PATENT DOCUMENTS

WO WO-D220241-001 * 4/2022

OTHER PUBLICATIONS

“16x6 820M Twisted Gloss Black Aluminum Trailer Wheel” Trailer Wheels., posted date Oct. 31, 2021 [online], [retrieved on May 5, 2020]. Retrieved from the Internet <URL: https://www.trailer-wheels.com/16x6-820M-Twisted-Gloss-Black-Aluminum-Trailer-Wheel-8x650-820M-66080_p_1670.html#.YnRbqHbMJJaQ> (Year: 2021).*

(Continued)

(56) **References Cited**

U.S. PATENT DOCUMENTS

D258,503 S 3/1981 Semple
D258,504 S 3/1981 Schinella
D258,732 S 3/1981 Schinella
D259,484 S 6/1981 Welburn
D267,402 S 12/1982 Schinella
D267,562 S 1/1983 Palmer et al.
D267,564 S 1/1983 Wright
D268,105 S 3/1983 Schinella
D271,012 S 10/1983 Palmer et al.
D272,897 S 3/1984 Chapman
D273,781 S 5/1984 Chapman
D275,192 S 8/1984 Schinella
D275,193 S 8/1984 Schinella
D277,661 S 2/1985 Cafaro et al.
D281,491 S 11/1985 Schinella

Primary Examiner — Darlington Ly
Assistant Examiner — Nasim Abdulaziz Ali

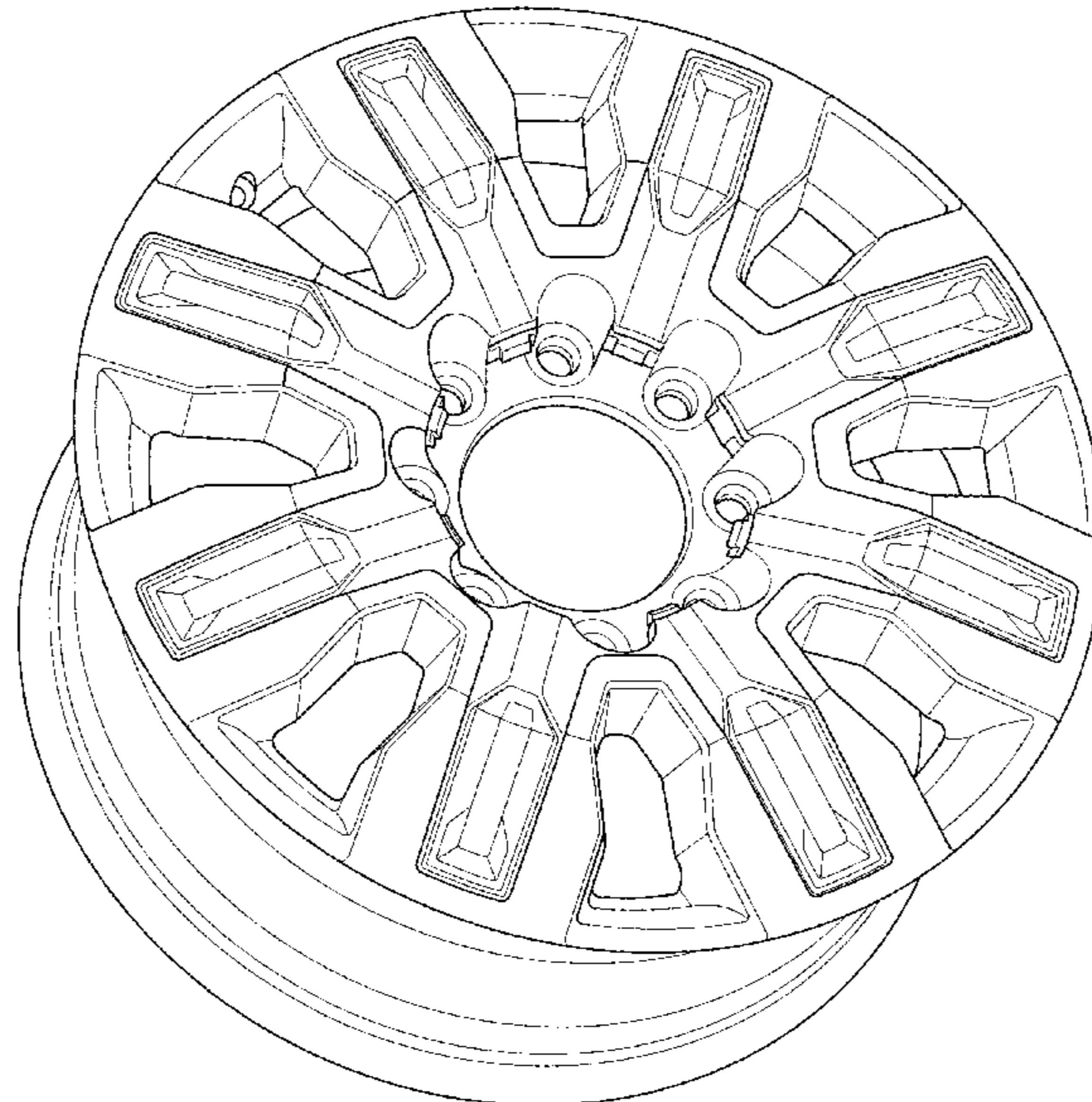
(57) **CLAIM**

The ornamental design for a vehicle wheel, as shown and described.

DESCRIPTION

FIG. 1 is a front elevational view of the vehicle wheel showing my new design; and, FIG. 2 is a front and left side perspective view thereof.

1 Claim, 2 Drawing Sheets



(56)

References Cited

U.S. PATENT DOCUMENTS

D298,528 S 11/1988 Burke et al.
 D300,422 S 3/1989 Schinella
 D301,865 S 6/1989 McIntosh
 D301,866 S 6/1989 Chapman et al.
 D302,004 S 7/1989 Chapman et al.
 D310,811 S 9/1990 North et al.
 D310,989 S 10/1990 North et al.
 D310,990 S 10/1990 Chandler
 D316,844 S 5/1991 Peloquin et al.
 D323,806 S 2/1992 Stewart
 D336,742 S 6/1993 Stewart
 D345,127 S 3/1994 Stenglein et al.
 D594,802 S 6/2009 Gustafsson
 D613,661 S 4/2010 Lee et al.
 D648,254 S 11/2011 Barry
 D655,658 S 3/2012 Noone et al.
 D656,877 S 4/2012 Ikeda et al.
 D664,081 S 7/2012 Muller
 D670,634 S 11/2012 Lee
 D684,516 S 6/2013 Bennion
 D700,565 S 3/2014 Gonzalez
 D735,102 S 7/2015 Swanseger
 D735,630 S 8/2015 Swanseger
 D775,049 S 12/2016 Scheer et al.
 D780,084 S 2/2017 Scheer et al.
 D787,407 S * 5/2017 Chung D12/211
 D828,271 S * 9/2018 Han D12/211
 D828,878 S * 9/2018 Sprowl D21/563
 D836,526 S 12/2018 Skelley
 10,357,993 B2 * 7/2019 Müller B60B 1/08

D860,904 S * 9/2019 Milani D12/209
 D860,908 S * 9/2019 Han D12/209
 D904,274 S * 12/2020 Sempek D12/211
 D926,655 S * 8/2021 Lickliter D12/209
 D931,178 S * 9/2021 Podlovits D12/209
 D936,549 S * 11/2021 Sempek D12/209
 D941,724 S * 1/2022 Sempek D12/209
 D941,725 S * 1/2022 Sempek D12/209
 D943,484 S * 2/2022 Sempek D12/209
 D944,174 S * 2/2022 Swerdloff D12/209
 D944,704 S * 3/2022 Anscheidt D12/209
 D945,342 S * 3/2022 Sempek D12/209
 D945,344 S * 3/2022 Abderrazak D12/209
 D945,348 S * 3/2022 Sempek D12/211
 D946,484 S * 3/2022 Johnson D12/209
 D947,740 S * 4/2022 Bernoni D12/209
 D947,741 S * 4/2022 Manzoni D12/209
 2022/0080784 A1 * 3/2022 Yoon B60B 21/026
 2022/0118793 A1 * 4/2022 Kerkvliet B60B 21/125

OTHER PUBLICATIONS

“Raceline Wheels 944 Outlander” SoCal Custom Wheels., posted date Mar. 20, 2019 [online], [retrieved on May 5, 2020]. Retrieved from the Internet <URL: <https://www.socalcustomwheels.com/944-outlander-gloss-black-6-lug-w-54008.htm>> (Year: 2019).*

“Touren TR60 18 Black Wheel/Rim” Motosport., posted date Oct. 14, 2012 [online], [retrieved on May 5, 2020]. Retrieved from the Internet <URL: https://www.amazon.com/Touren-Black-Offset-Partnumber-3260-8811MB/dp/B009LR2CMM/ref=sr_1_12?keywords=car+wheel+rims&qid=1651791685&sr=8-12> (Year: 2012).*

* cited by examiner

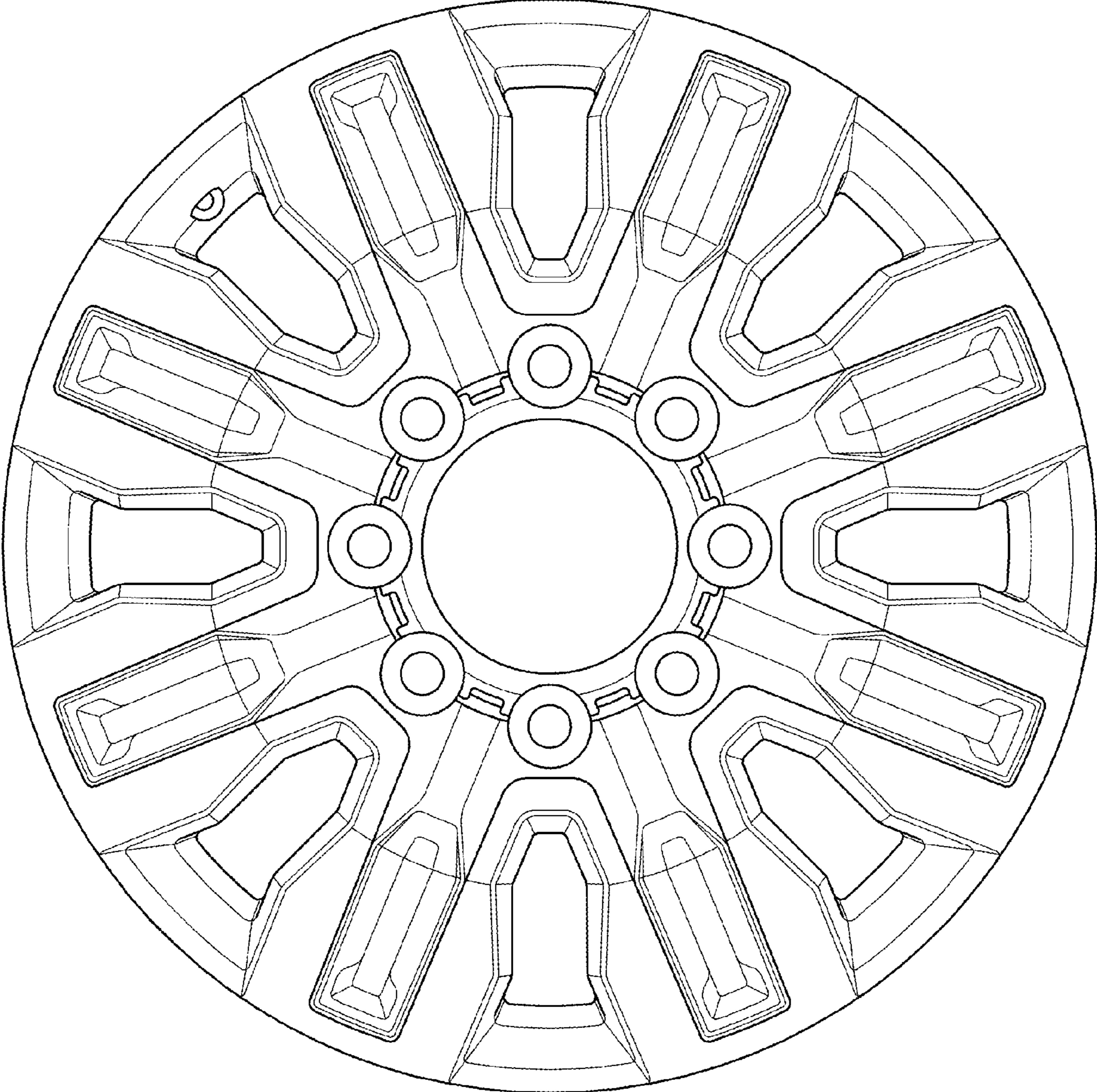


FIG. 1

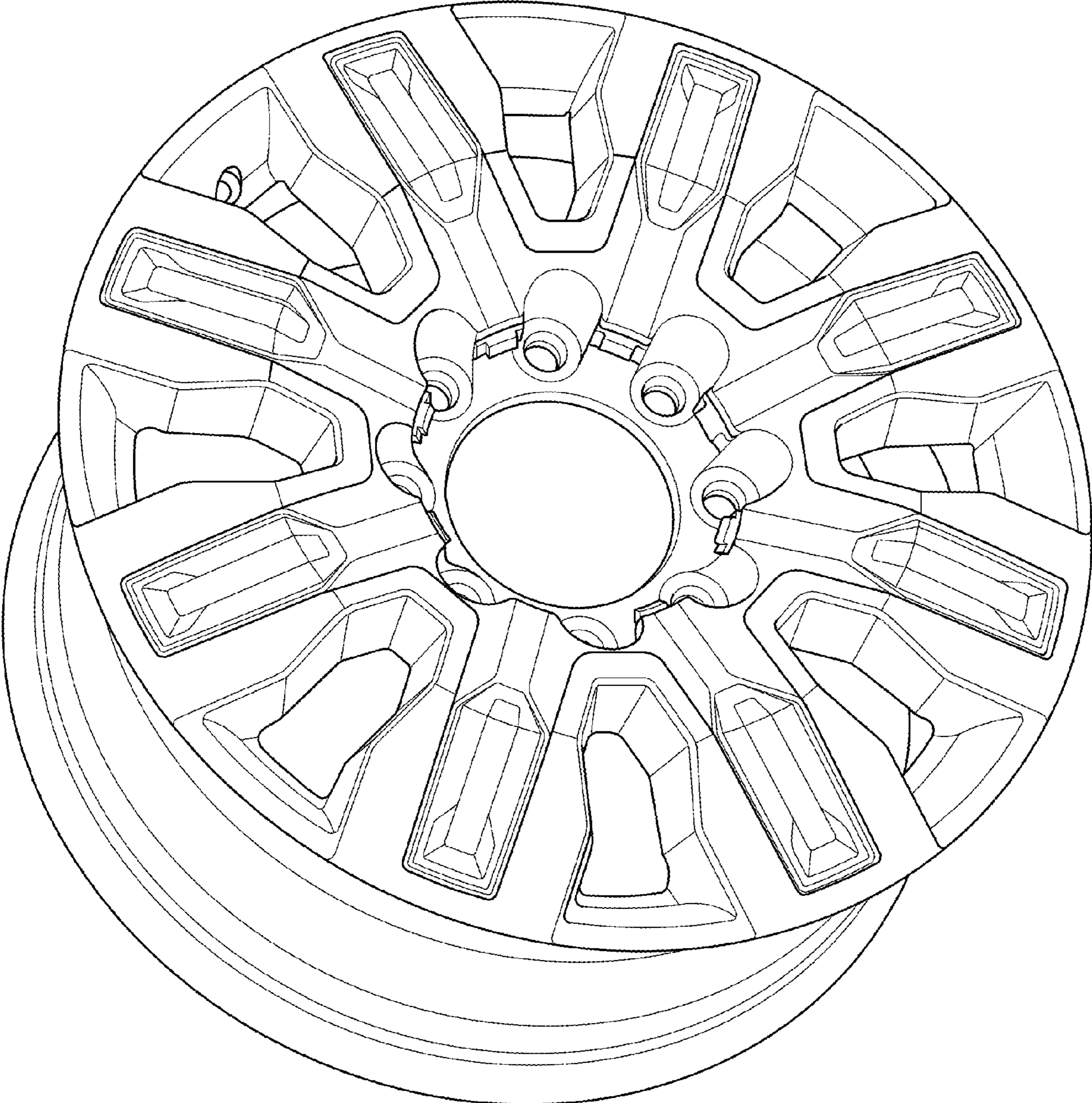


FIG. 2