



US00D974262S

(12) **United States Design Patent** (10) **Patent No.:** **US D974,262 S**
Willing et al. (45) **Date of Patent:** **** Jan. 3, 2023**

(54) **VEHICLE REAR TIRE CARRIER BRACKET**

OTHER PUBLICATIONS

(71) Applicant: **Ford Global Technologies, LLC**,
Dearborn, MI (US)
(72) Inventors: **Todd Willing**, East Melbourne (AU);
Paul Wraith, West Bloomfield, MI
(US); **Dong H. Park**, Canton, MI (US);
Anthony Meyer, Royal Oak, MI (US);
Martin B. Coons, Detroit, MI (US)
(73) Assignee: **Ford Global Technologies, LLC**,
Dearborn, MI (US)

Unknown, My observations from seeing see the actual 4-door
Bronco raw, unpainted sheet metal shell, Feb. 15, 2020 [https://
https://www.bronco6g.com/forum/threads/my-observations-from-
seeing-see-the-actual-4-door-bronco-raw-unpainted-sheet-metal-
shell.1048/](https://https://www.bronco6g.com/forum/threads/my-observations-from-seeing-see-the-actual-4-door-bronco-raw-unpainted-sheet-metal-shell.1048/).
Unknown, Here's the 2021 Bronco's Tail Light Shape Illuminated,
Feb. 19, 2020 [https://www.bronco6g.com/forum/threads/heres-the-
2021-broncos-tail-light-shape-illuminated.1071/](https://www.bronco6g.com/forum/threads/heres-the-2021-broncos-tail-light-shape-illuminated.1071/).
Unknown, 2021 Bronco Interior Spied Undisguised!!, Feb. 25, 2020
[https://www.bronco6g.com/forum/threads/2021-bronco-interior-spied-
undisguised.1096/](https://www.bronco6g.com/forum/threads/2021-bronco-interior-spied-undisguised.1096/).
Arrian Padeanu, 2021 Ford Bronco Gets Five Adventure Concepts
To Mark SUVs Birthday, Aug. 13, 2020 [https://www.motor1.com/
news/438885/2021-ford-bronco-adventure-concepts](https://www.motor1.com/news/438885/2021-ford-bronco-adventure-concepts).

(**) Term: **15 Years**

* cited by examiner

(21) Appl. No.: **29/747,543**

(22) Filed: **Aug. 24, 2020**

Primary Examiner — Joseph Kukella

(51) **LOC (14) Cl.** **12-16**

Assistant Examiner — Lavon M. Amerson

(52) **U.S. Cl.**

(74) *Attorney, Agent, or Firm* — Vichit Chea

USPC **D12/202**

(58) **Field of Classification Search**

USPC D12/94, 159, 161, 162, 177, 172, 202,
D12/223, 400, 406, 408; D21/561;
224/42.26, 42.21

(57) **CLAIM**

CPC B62D 43/02; B62D 43/002; B60R 9/06;
B60R 2011/0084; B60R 2011/0085; B66F
3/00

The ornamental design for a vehicle rear tire carrier bracket,
as shown and described.

See application file for complete search history.

DESCRIPTION

(56) **References Cited**

FIG. 1 is a front elevational view of a vehicle rear tire carrier
bracket, showing our new design;
FIG. 2 is a rear elevational view thereof;
FIG. 3 is a left side elevational view thereof;
FIG. 4 is a right side elevational view thereof;
FIG. 5 is a top plan view thereof;
FIG. 6 is a bottom plan view thereof;
FIG. 7 is a top, front and left side perspective view thereof;
FIG. 8 is a bottom, front and left side perspective view
thereof; and,
FIG. 9 is a bottom, rear and right side perspective view
thereof.

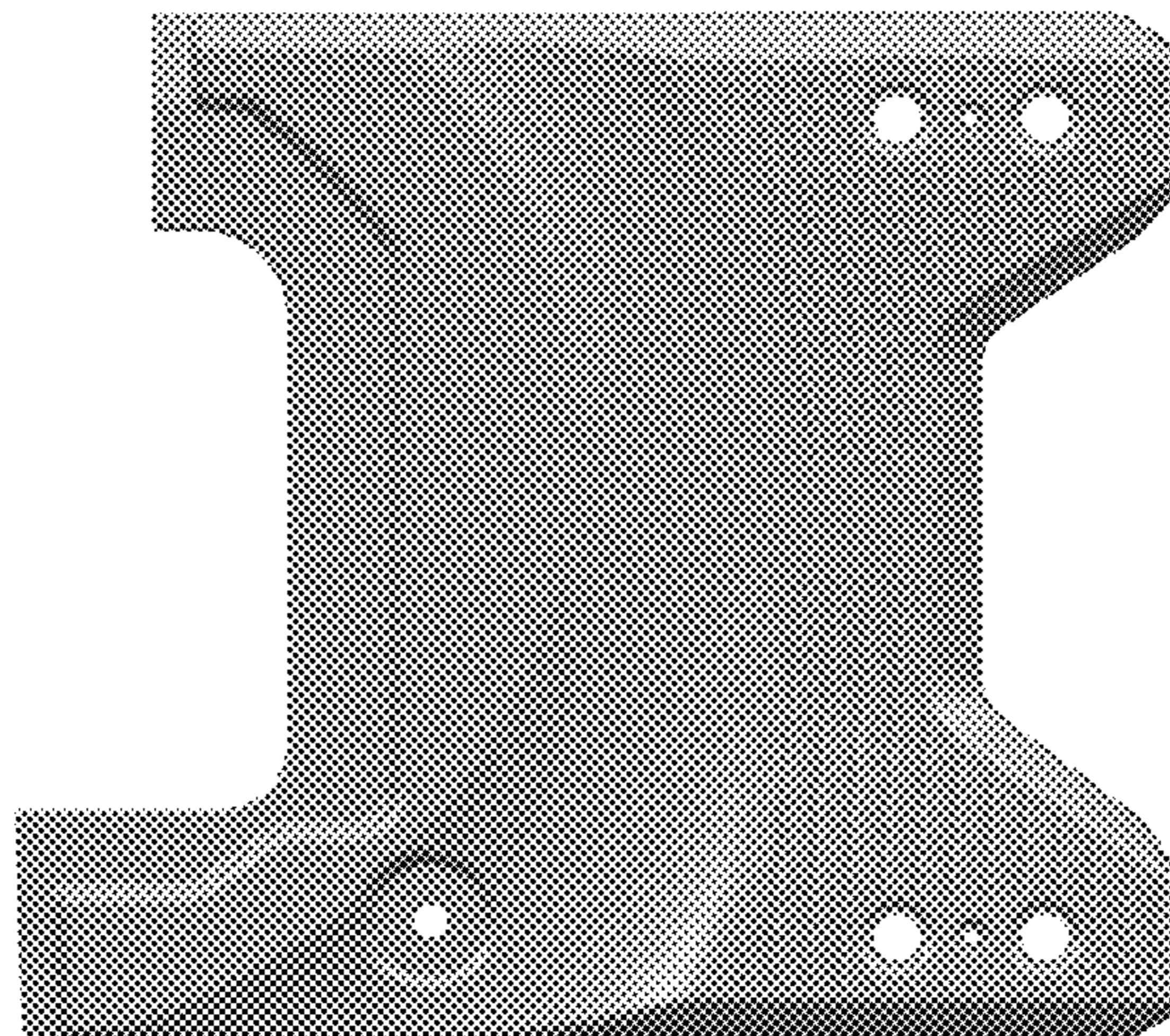
U.S. PATENT DOCUMENTS

D586,287 S * 2/2009 McBride D12/406
D614,564 S * 4/2010 Flaherty D12/408
D666,134 S * 8/2012 Patalak D12/223
10,577,035 B2 * 3/2020 Rutman B62D 43/02
D896,717 S * 9/2020 McMath D12/202
2006/0243769 A1 * 11/2006 Lovey B62D 43/02
224/517
2019/0263461 A1 * 8/2019 Rutman B60R 9/06

FOREIGN PATENT DOCUMENTS

TW 220062-0001 * 7/2022

1 Claim, 9 Drawing Sheets



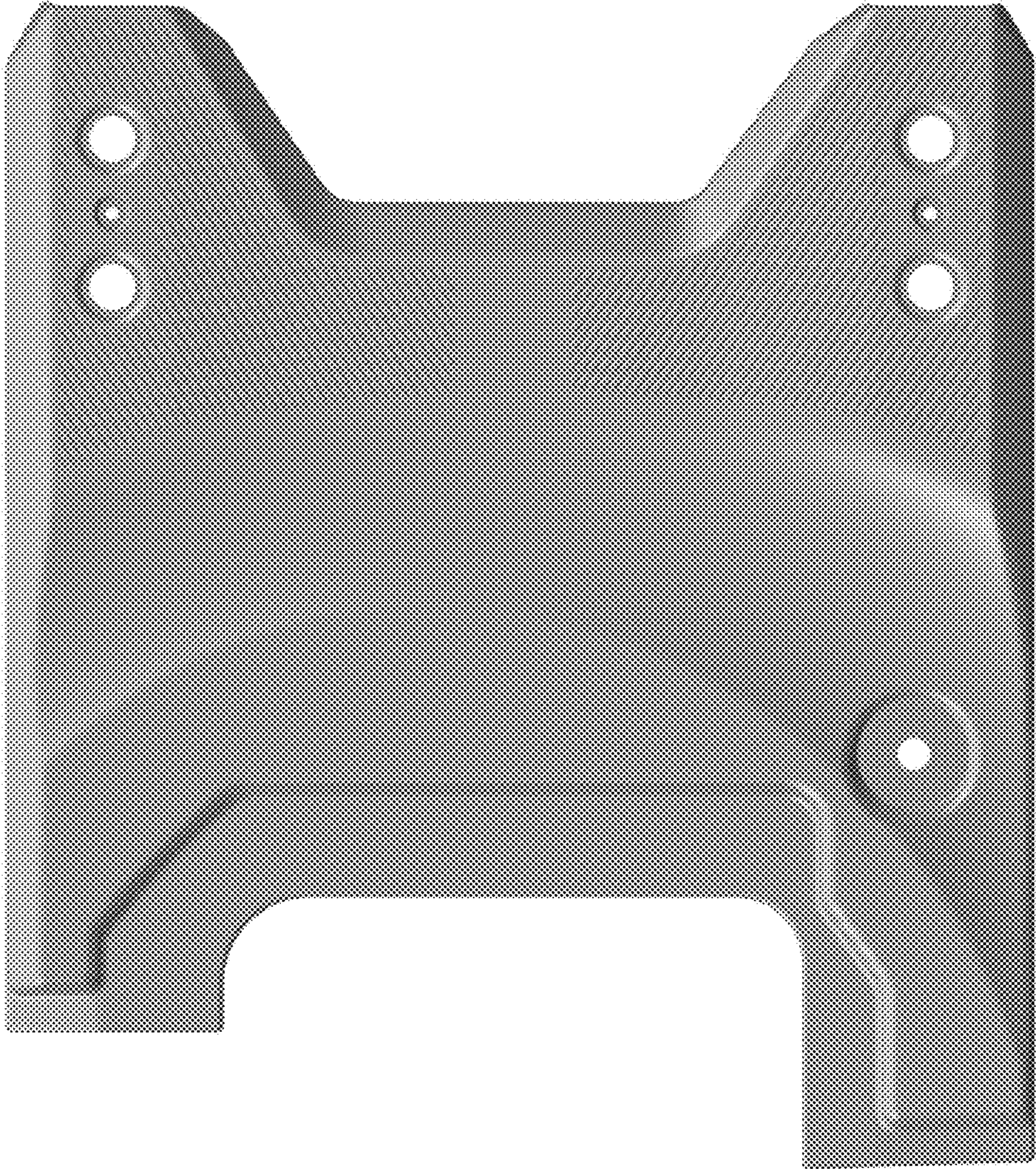


Fig. 1

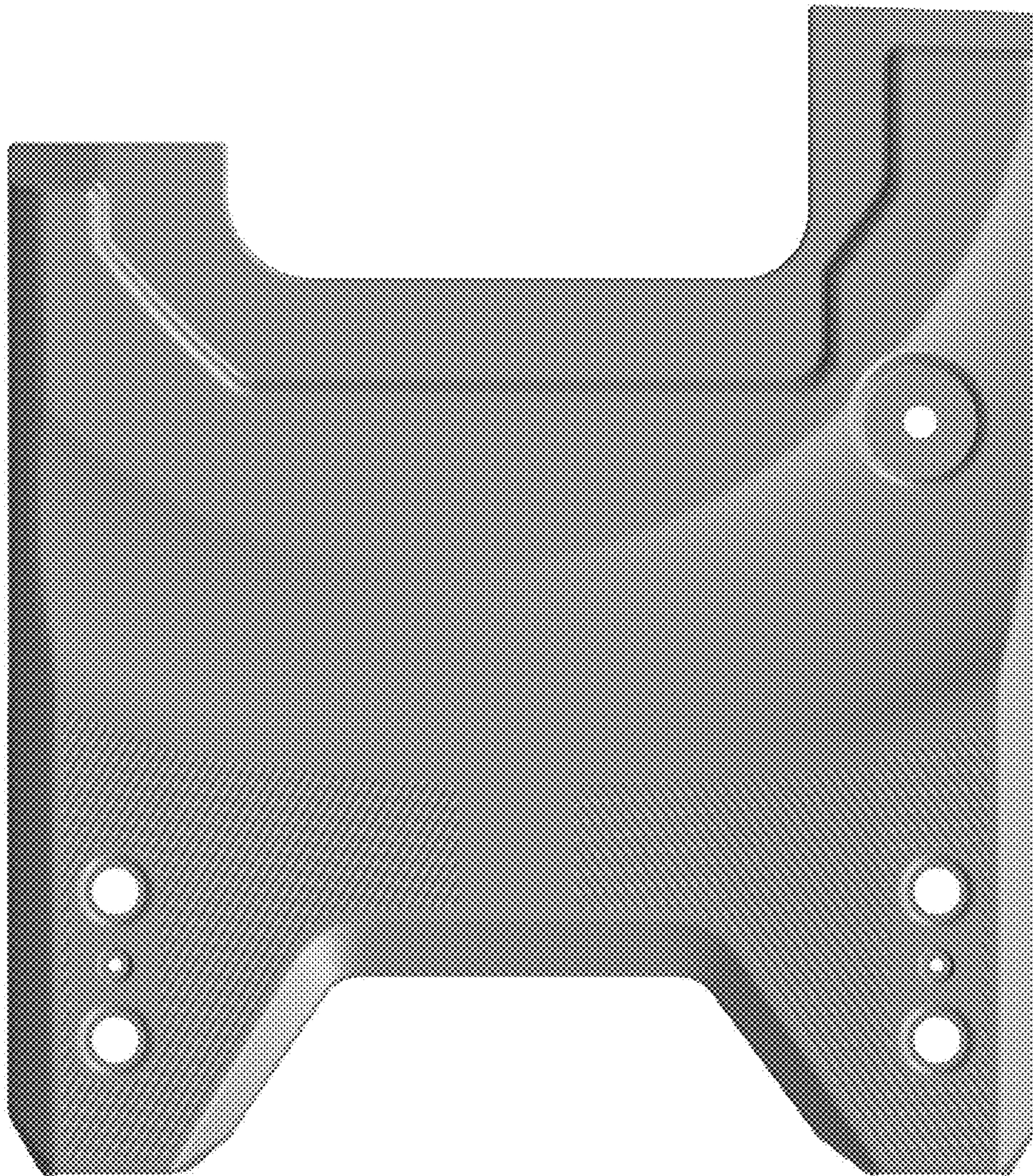


Fig. 2



Fig. 3

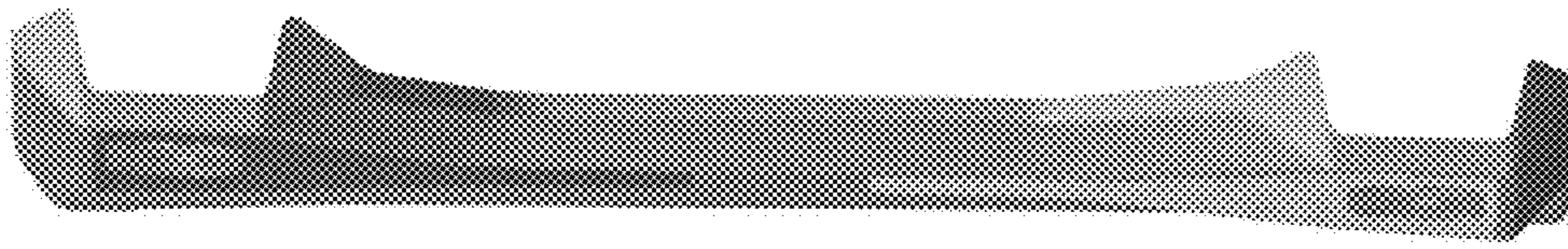


Fig. 4

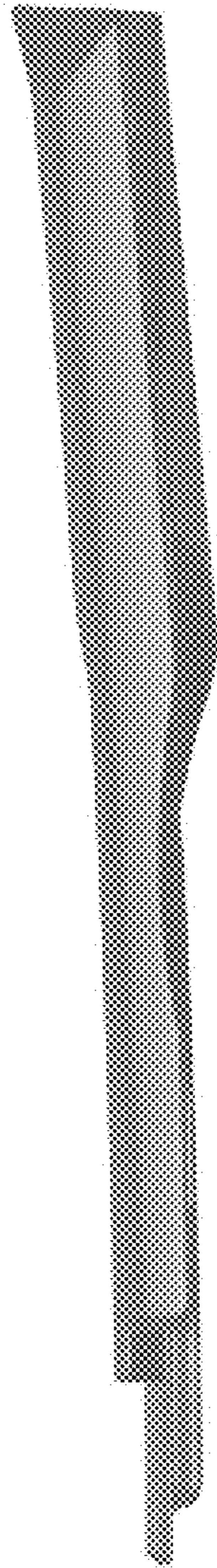


Fig. 5

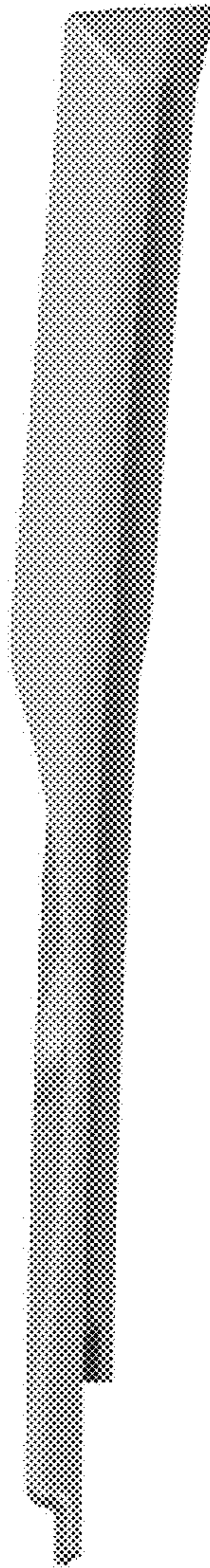


Fig. 6

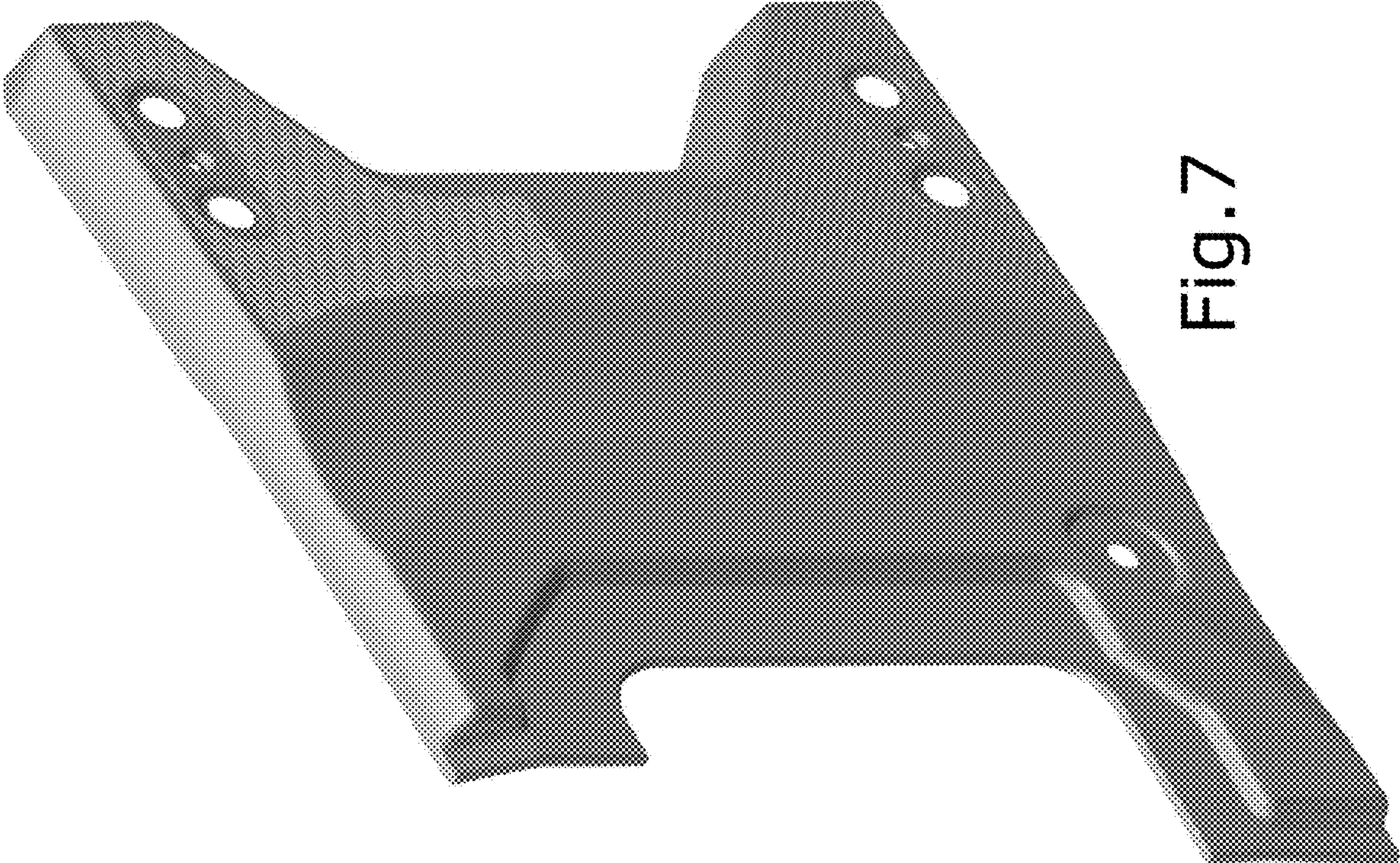


Fig. 7

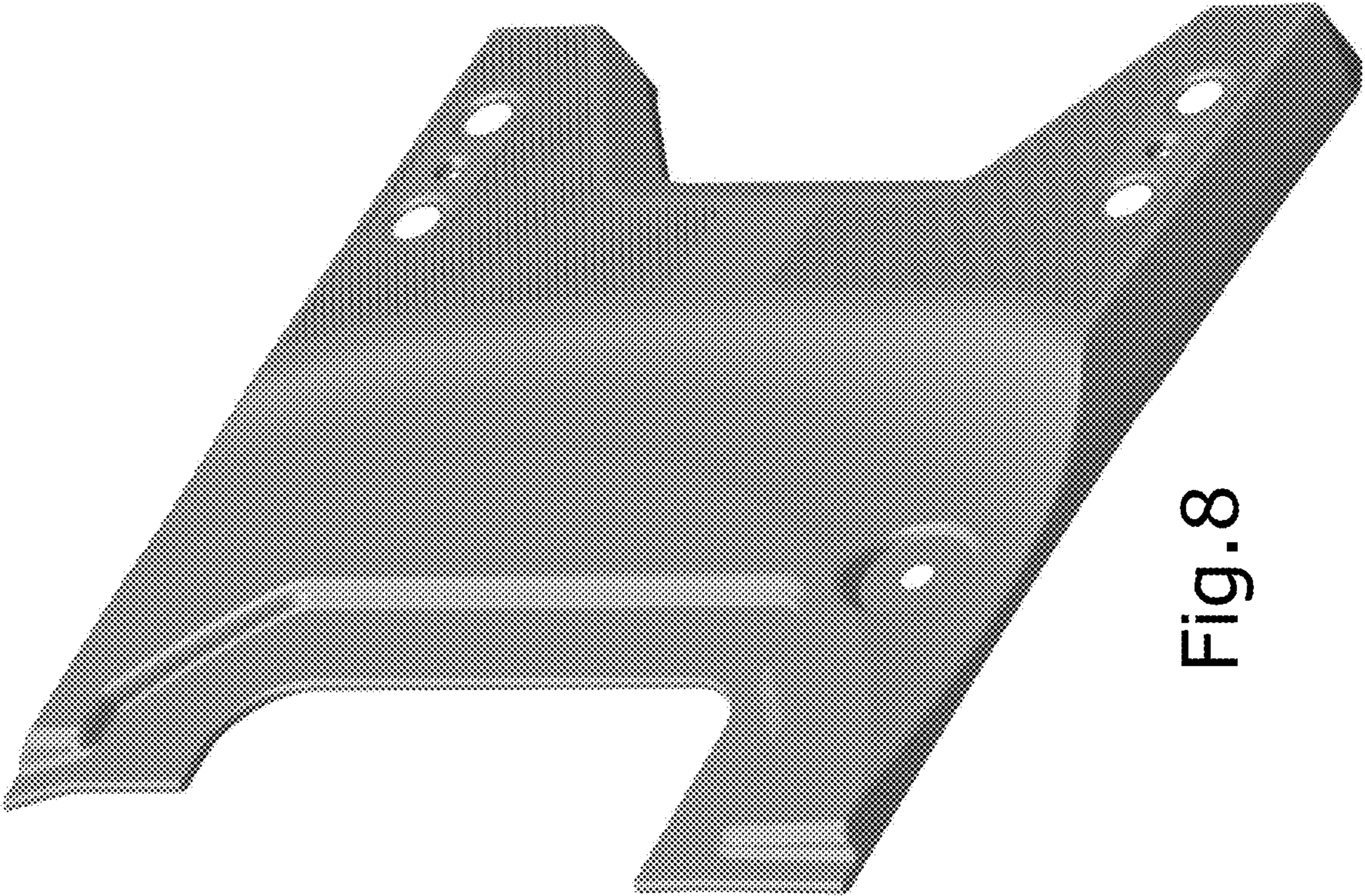


Fig. 8

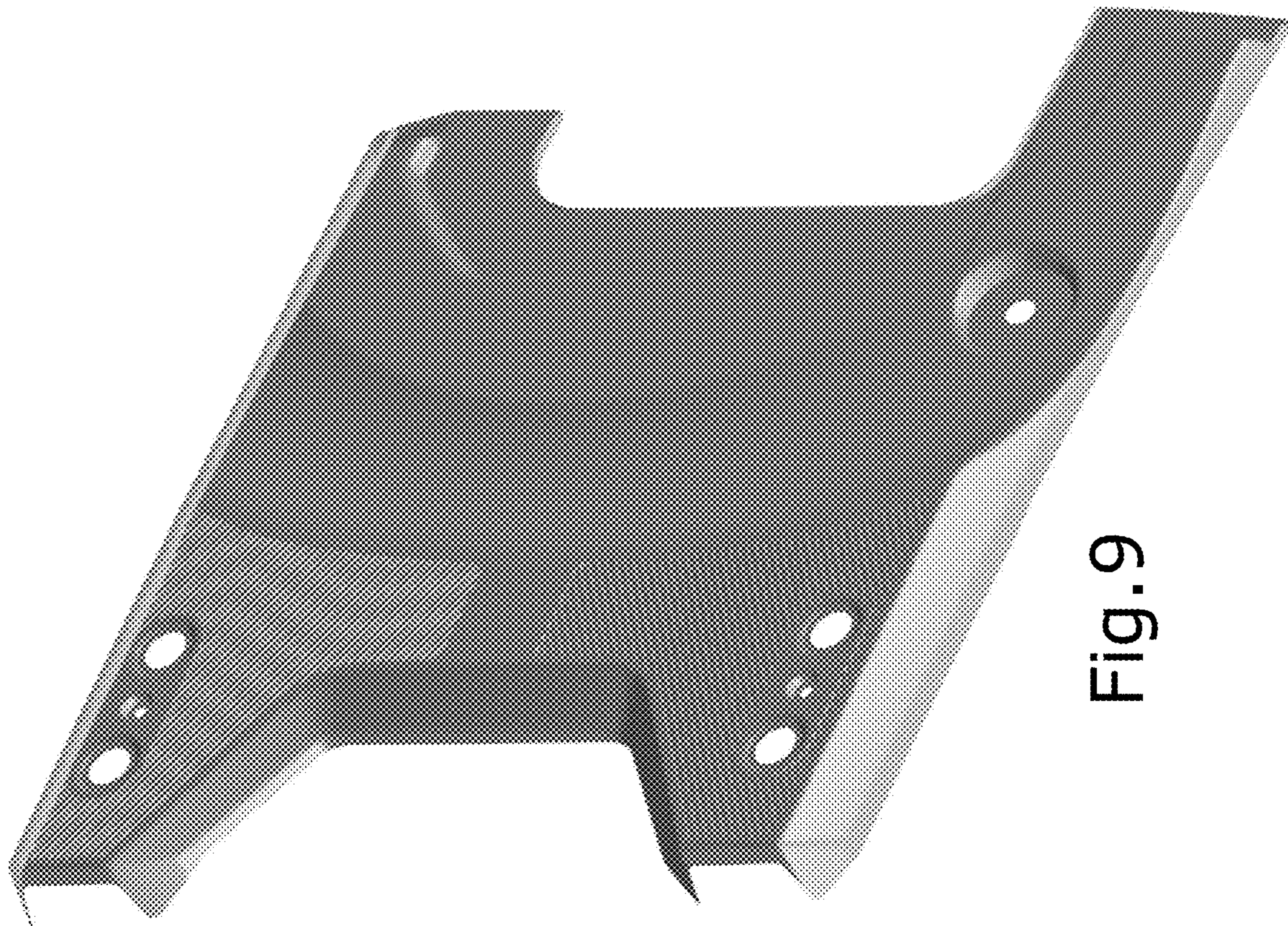


Fig. 9