



US00D974261S

(12) **United States Design Patent** (10) **Patent No.:** **US D974,261 S**
Bryant et al. (45) **Date of Patent:** **** Jan. 3, 2023**

(54) **VEHICLE FRONT LOWER FASCIA**
(71) Applicant: **GM GLOBAL TECHNOLOGY OPERATIONS LLC**, Detroit, MI (US)
(72) Inventors: **Wade W. Bryant**, Grosse Pointe Farms, MI (US); **Brian S. Janik**, Royal Oak, MI (US)
(73) Assignee: **GM Global Technology Operations LLC**, Detroit, MI (US)

D787,990 S 5/2017 Kozub et al.
D792,293 S 7/2017 McCabe et al.
D792,295 S 7/2017 McCabe et al.
D792,815 S 7/2017 Kozub
D792,816 S 7/2017 Kozub
D793,292 S 8/2017 Lee
D793,293 S 8/2017 Lee et al.
D793,296 S 8/2017 Smith et al.
D793,297 S 8/2017 Smith et al.
D793,301 S 8/2017 Kozub
D793,302 S 8/2017 Kozub

(Continued)

(**) Term: **15 Years**

(21) Appl. No.: **29/784,203**

(22) Filed: **May 18, 2021**

(51) **LOC (14) Cl.** **12-16**

(52) **U.S. Cl.**
USPC **D12/196**

(58) **Field of Classification Search**
USPC D12/86, 90, 92, 163, 169, 196
CPC B60R 2019/25; B62D 25/084
See application file for complete search history.

(56) **References Cited**

U.S. PATENT DOCUMENTS

D717,703 S 11/2014 Munson et al.
D720,668 S 1/2015 Pevovar et al.
D745,837 S 12/2015 Smith et al.
D749,021 S 2/2016 Boniface et al.
D753,034 S 4/2016 Thole et al.
D753,559 S 4/2016 McMahan et al.
D753,560 S 4/2016 McMahan et al.
D771,532 S 11/2016 Kapitonov
D771,533 S 11/2016 Kapitonov
D772,766 S 11/2016 Kozub et al.
D772,767 S 11/2016 Kim
D775,007 S 12/2016 Thole et al.
D775,010 S 12/2016 Kim et al.
D776,583 S 1/2017 Scheer et al.
D786,149 S 5/2017 Pevovar et al.

OTHER PUBLICATIONS

Vehicle Bumpers. (Design—© Questel) orbit.com. [Online PDF compilation of references] 49 pgs. Print Dates Range Jan. 27, 2022-Jan. 11, 2022 [Retrieved Sep. 20, 2022].*

(Continued)

Primary Examiner — George D. Kirschbaum
Assistant Examiner — Suzanne E Tisdell

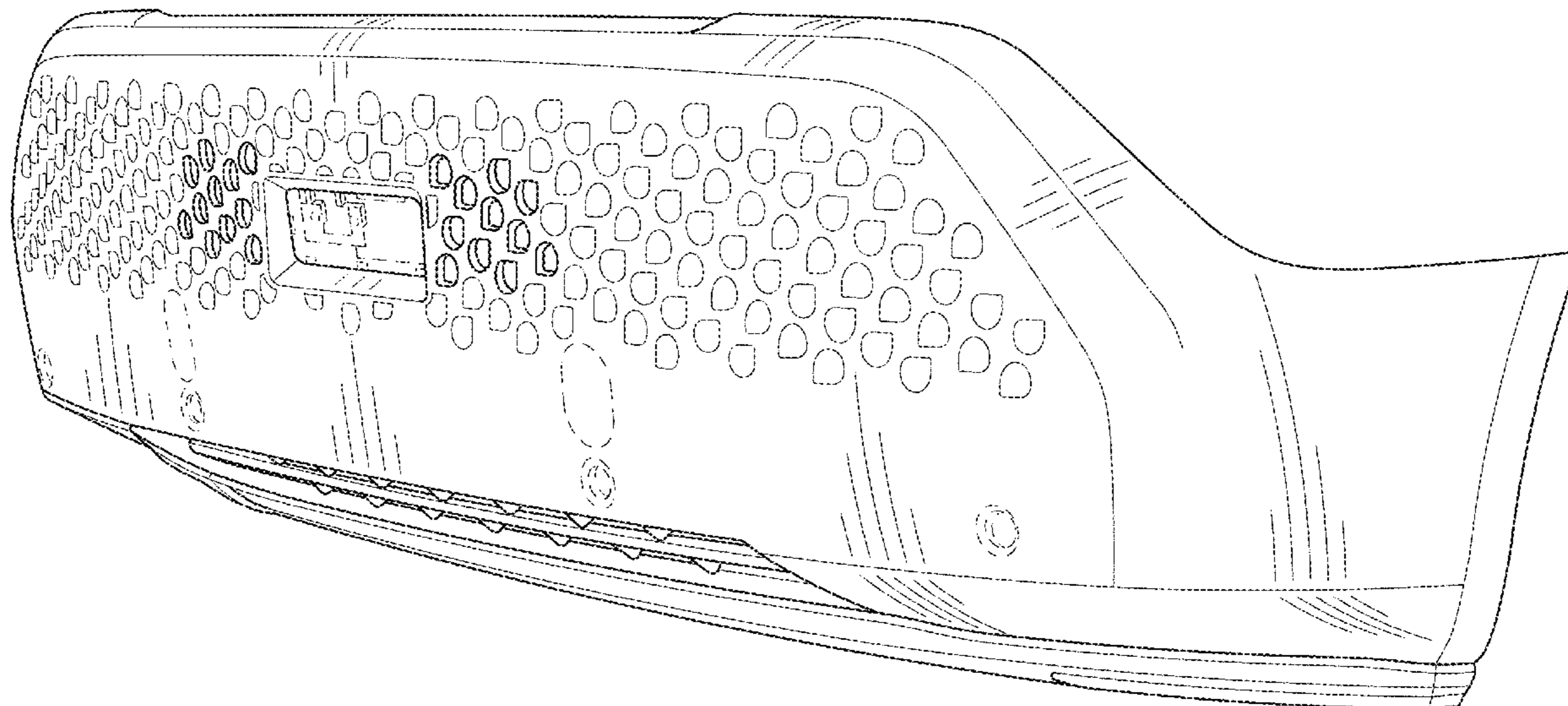
(57) **CLAIM**

The ornamental design for a vehicle front lower fascia, as shown and described.

DESCRIPTION

FIG. 1 is a front and left perspective view of a vehicle front lower fascia showing our new design;
FIG. 2 is a front elevation view of the vehicle front lower fascia of FIG. 1;
FIG. 3 is a left elevation view thereof;
FIG. 4 is a right elevation view thereof;
FIG. 5 is a top view thereof;
FIG. 6 is a back elevation view thereof; and,
FIG. 7 is a bottom view thereof.
The broken lines in the drawings depict portions of the vehicle front lower fascia that form no part of the claimed design.

1 Claim, 7 Drawing Sheets



(56)

References Cited

U.S. PATENT DOCUMENTS

D798,204 S 9/2017 Mainville
 D802,496 S 11/2017 Mainville
 D811,957 S 3/2018 Whitla et al.
 D811,960 S 3/2018 Nakamura
 D811,964 S 3/2018 Perkins
 D812,526 S 3/2018 Zipfel et al.
 D812,527 S 3/2018 Perkins
 D812,528 S 3/2018 Nakamura
 D813,109 S 3/2018 Zipfel et al.
 D813,734 S 3/2018 Nakamura
 D814,369 S 4/2018 Loeb
 D816,558 S 5/2018 McMahan et al.
 D816,559 S 5/2018 McMahan et al.
 D816,561 S 5/2018 McMahan
 D816,562 S 5/2018 Whitla et al.
 D816,564 S 5/2018 Kim
 D816,566 S 5/2018 Loeb
 D818,406 S 5/2018 McMahan et al.
 D820,173 S 6/2018 McMahan et al.
 D820,174 S 6/2018 Whitla et al.
 D821,941 S 7/2018 Mack et al.
 D821,950 S 7/2018 Kozub
 D822,550 S 7/2018 Wassell et al.
 D826,114 S 8/2018 Smith et al.
 D826,803 S 8/2018 Smith et al.
 D837,109 S 1/2019 Kozub et al.
 D840,293 S 2/2019 Koo et al.
 D841,532 S 2/2019 Koo et al.
 D843,275 S 3/2019 Koo et al.
 D845,187 S 4/2019 Pinazzo et al.
 D845,190 S 4/2019 Zipfel
 D845,196 S 4/2019 Kozub
 D847,042 S 4/2019 Pinazzo et al.
 D847,044 S 4/2019 Zipfel
 D847,704 S 5/2019 Zipfel
 D847,705 S 5/2019 Zipfel
 D847,707 S 5/2019 Park Cheng et al.
 D847,714 S 5/2019 Mack et al.
 D848,318 S 5/2019 McMahan et al.
 D848,322 S 5/2019 Mack et al.
 D848,323 S 5/2019 Mack et al.
 D848,324 S 5/2019 Thurber et al.
 D848,325 S 5/2019 Thurber et al.
 D850,989 S 6/2019 Kozub
 D851,555 S 6/2019 Whitla et al.
 D851,556 S 6/2019 Thurber et al.
 D851,557 S 6/2019 Thurber et al.
 D851,560 S 6/2019 Yong et al.
 D851,561 S 6/2019 Yong et al.
 D853,904 S 7/2019 Koo et al.
 D854,979 S 7/2019 Krieg et al.
 D855,508 S 8/2019 Wilkins et al.
 D855,509 S 8/2019 Wilkins
 D856,204 S 8/2019 Kapitonov
 D856,206 S 8/2019 De Leon
 D856,864 S 8/2019 Kapitonov
 D856,874 S 8/2019 Kozub
 D856,875 S 8/2019 Kozub
 D860,075 S 9/2019 Riggs et al.

D860,076 S 9/2019 Bartels et al.
 D860,078 S 9/2019 O'Donnell et al.
 D862,337 S 10/2019 Pinazzo et al.
 D863,140 S 10/2019 Wilkins et al.
 D863,147 S 10/2019 Zipfel
 D863,149 S 10/2019 Luke et al.
 D863,150 S 10/2019 Krieg et al.
 D863,152 S 10/2019 Kozub
 D864,057 S 10/2019 Krieg et al.
 D867,232 S 11/2019 Izard
 D868,639 S 12/2019 Wilkins et al.
 D868,650 S 12/2019 Gifford
 D868,651 S 12/2019 Gifford
 D868,656 S 12/2019 De Leon
 D870,619 S 12/2019 Gifford
 D873,733 S 1/2020 Kozub
 D874,362 S 2/2020 Izard
 D877,001 S 3/2020 Izard
 D877,002 S 3/2020 Izard
 D877,003 S 3/2020 Izard
 D877,004 S 3/2020 Wilkins et al.
 D877,007 S 3/2020 Zipfel
 D877,009 S 3/2020 Luke et al.
 D881,083 S 4/2020 Blanski et al.
 D882,466 S 4/2020 Yong et al.
 D885,265 S 5/2020 Zipfel
 D887,323 S 6/2020 Zipfel
 D889,331 S 7/2020 O'Donnell et al.
 D892,003 S 8/2020 Zipfel
 D894,060 S 8/2020 Izard
 D894,061 S 8/2020 Zipfel
 D902,802 S 11/2020 Choi et al.
 D902,803 S 11/2020 Choi et al.
 D902,817 S 11/2020 Choi et al.
 D902,818 S 11/2020 Choi et al.
 D903,567 S 12/2020 Choi et al.
 D953,217 S * 5/2022 Dewitt D12/169
 D955,933 S * 6/2022 Jevremovic D12/169
 D955,935 S * 6/2022 De Leon D12/169
 D956,636 S * 7/2022 Bucher D12/169
 D958,028 S * 7/2022 Duncan D12/169
 D960,779 S * 8/2022 De Leon D12/169
 D960,782 S * 8/2022 Jie D12/169
 D960,783 S * 8/2022 Gunnarson D12/169
 D960,786 S * 8/2022 Kil D12/169
 D964,231 S * 9/2022 Hoste D12/169
 D964,232 S * 9/2022 Hoste D12/169
 D964,233 S * 9/2022 Hoste D12/169
 D964,234 S * 9/2022 Hoste D12/169

OTHER PUBLICATIONS

Rear Skid Bumper Plate Diffuser. 2016. eBay. <https://www.ebay.com/p/1847977408>.*

2021 sport rear diffuser. Jun. 10, 2021. stelvio forum. <https://www.stelvioforum.com/threads/2021-sport-rear-diffuser-for-2019-and-earlier-stelvios.15982/>.*

Front Rear Bumper Diffuser Bumpers Lip Protector. 2015. alibaba. https://www.alibaba.com/product-detail/Front-Rear-Bumper-Diffuser-Bumpers-Lip_1600338644148.html.*

* cited by examiner

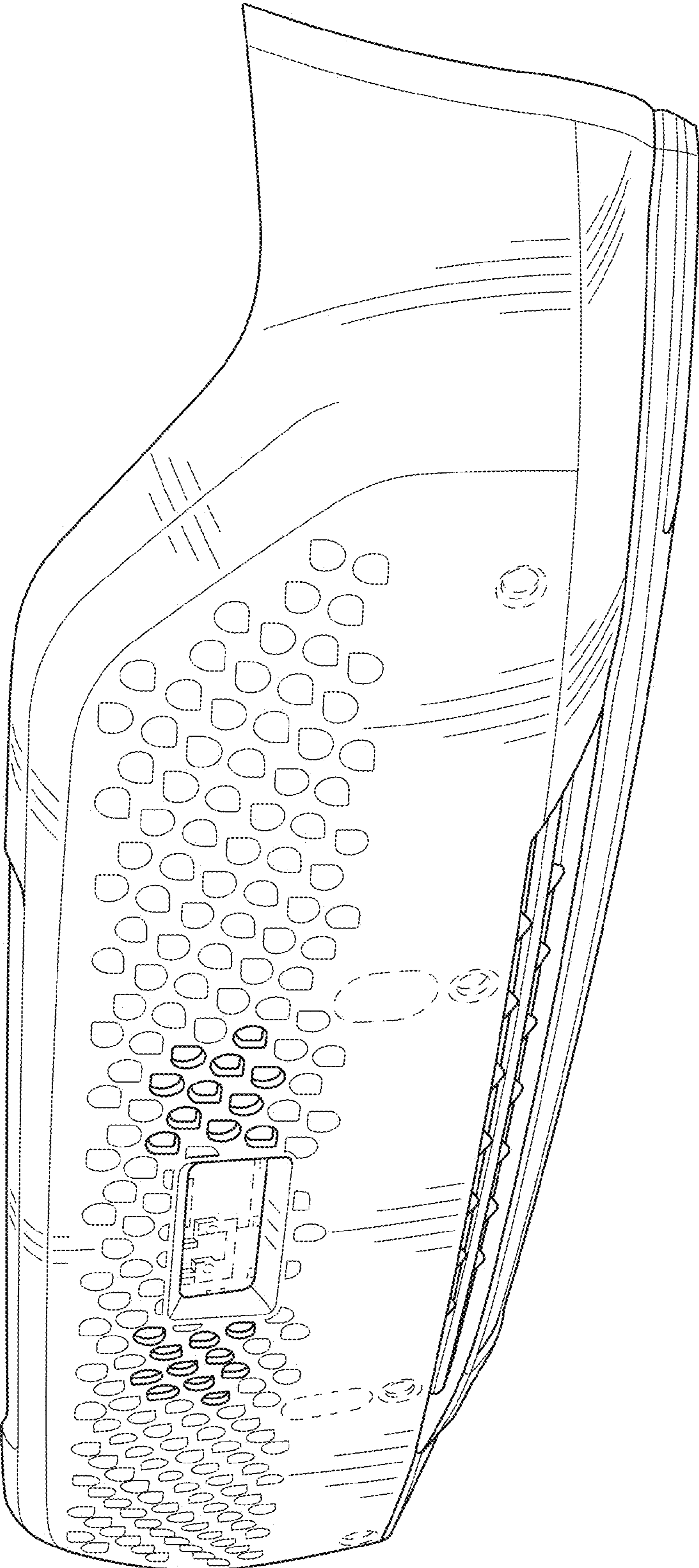


FIG. 1

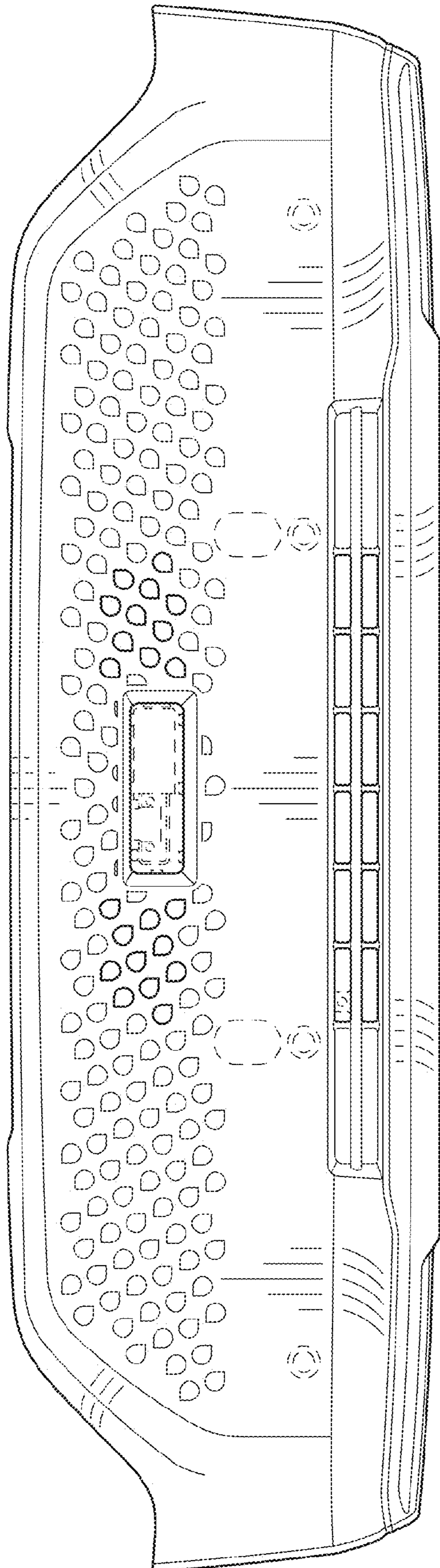


FIG. 2

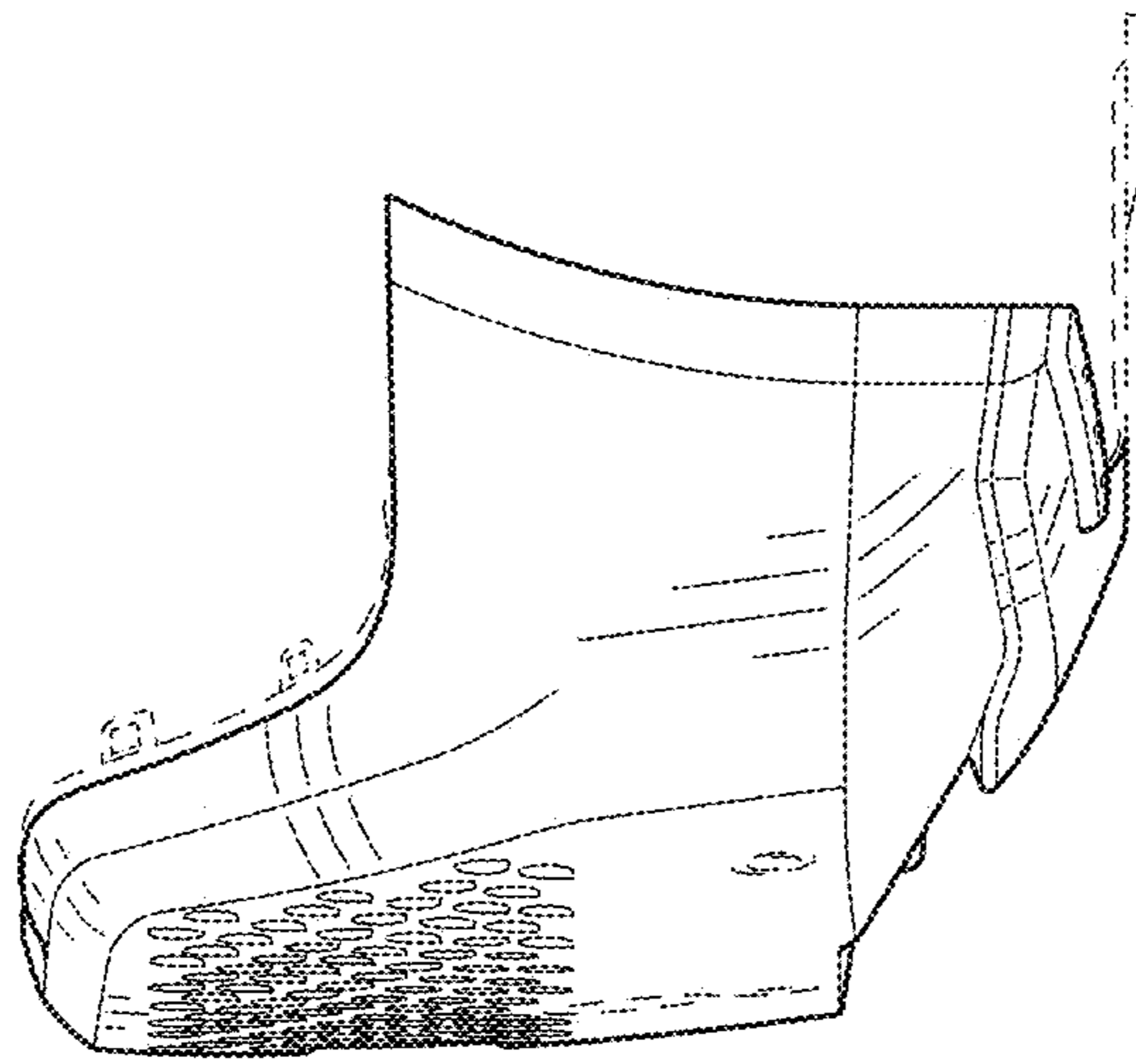


FIG. 3

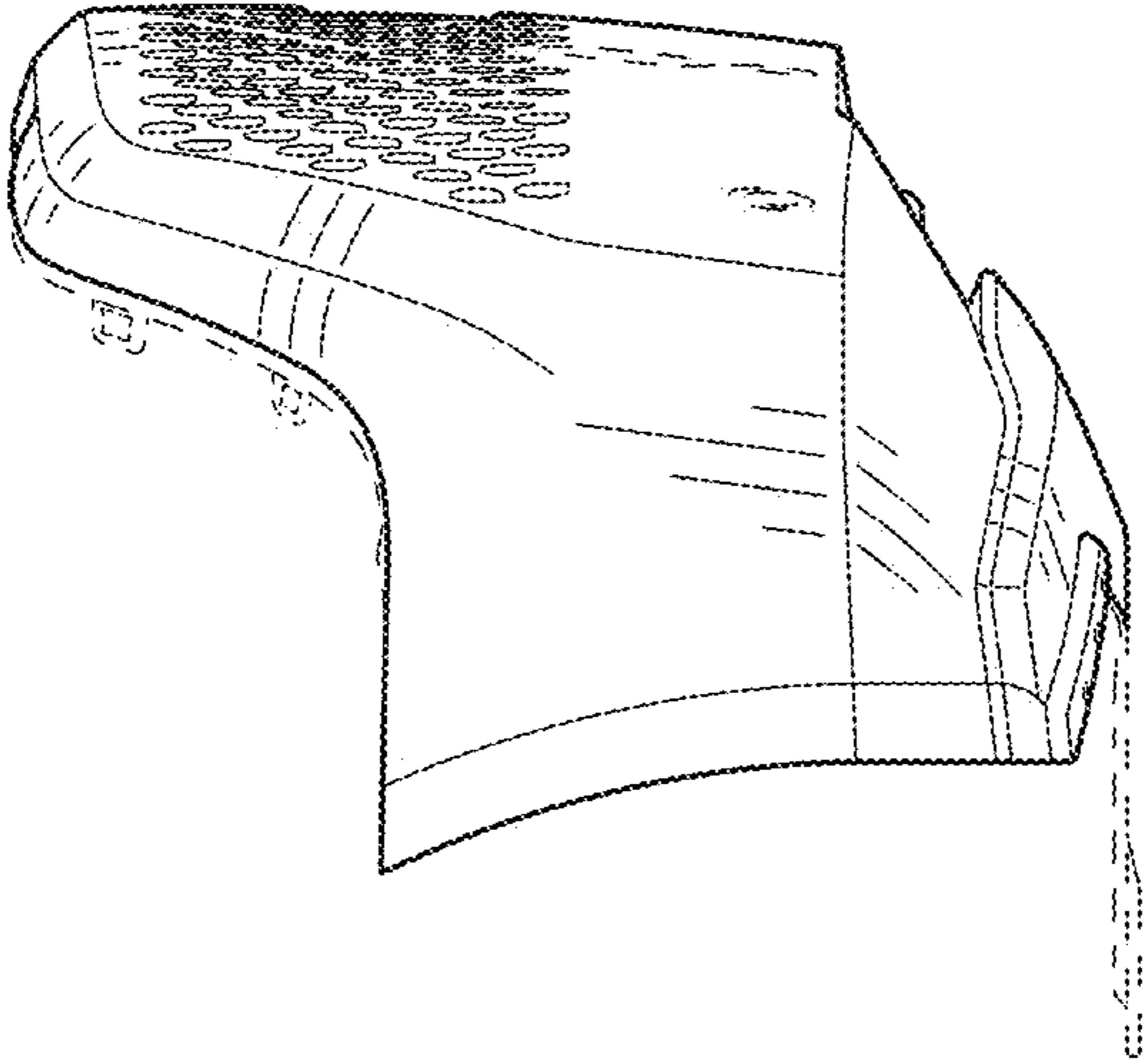


FIG. 4

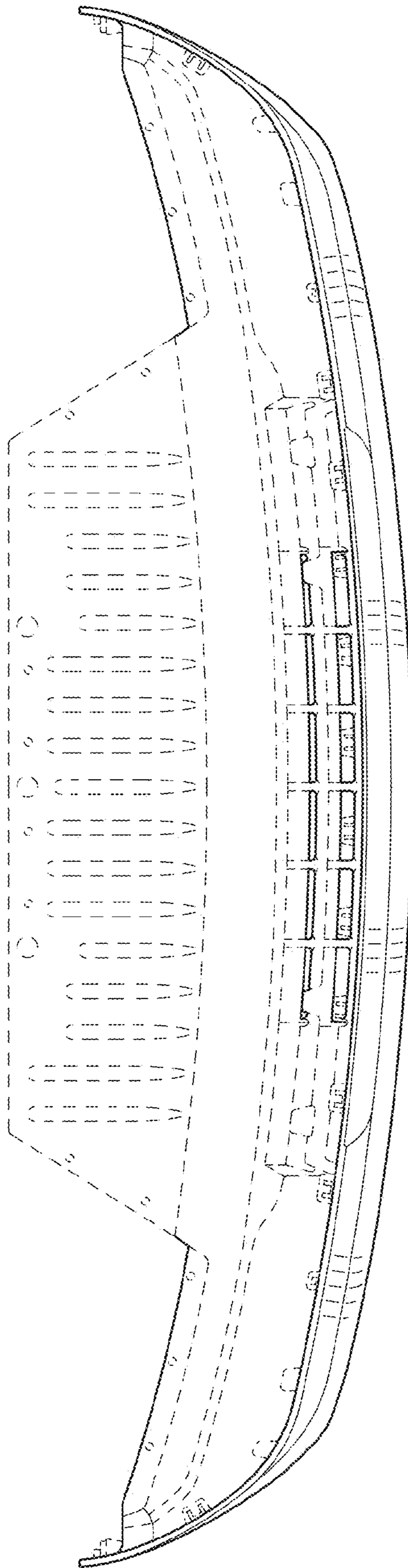


FIG. 5

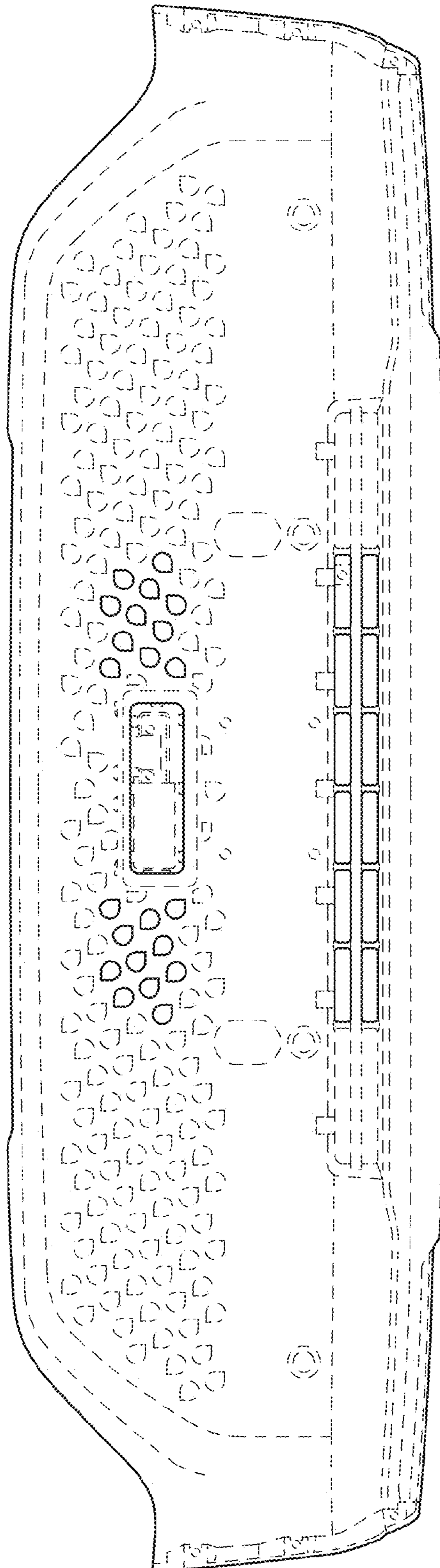


FIG. 6

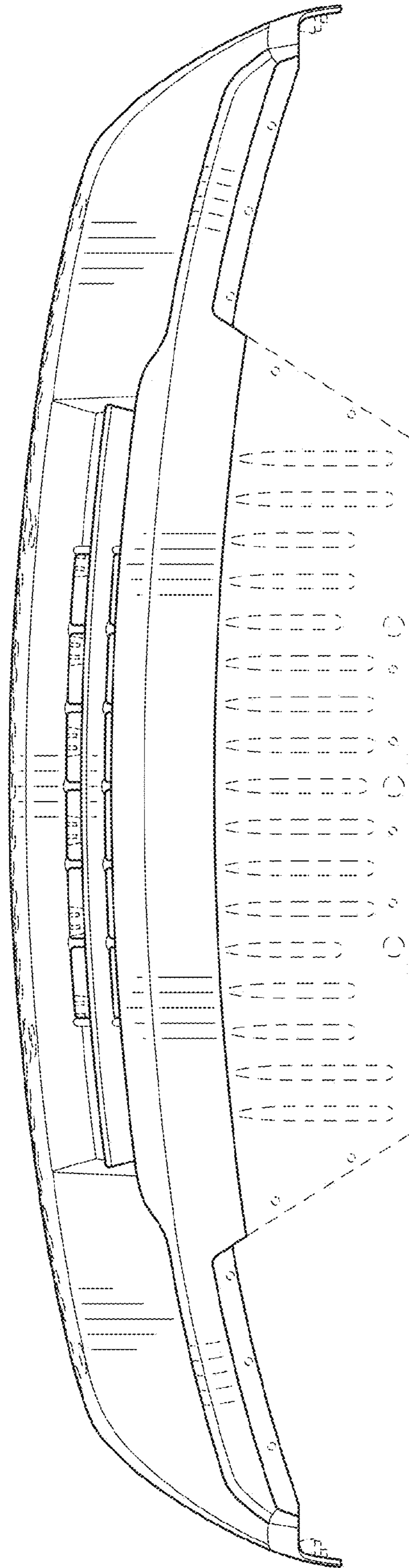


FIG. 7