



US00D974259S

(12) **United States Design Patent** (10) **Patent No.:** **US D974,259 S**
Chen et al. (45) **Date of Patent:** **** Jan. 3, 2023**

(54) **VEHICLE LIFTGATE**
(71) Applicant: **GM GLOBAL TECHNOLOGY OPERATIONS LLC**, Detroit, MI (US)
(72) Inventors: **Fangkuo Chen**, Seoul (KR); **Taeho Kim**, Incheon (KR); **Seojun Hong**, Incheon (KR); **Wooram Lee**, Incheon (KR)
(73) Assignee: **GM Global Technology Operations LLC**, Detroit, MI (US)
(**) Term: **15 Years**
(21) Appl. No.: **29/762,397**
(22) Filed: **Dec. 16, 2020**
(51) **LOC (14) Cl.** **12-16**
(52) **U.S. Cl.**
USPC **D12/196**
(58) **Field of Classification Search**
USPC ... D12/1, 12, 13, 14, 15, 82, 83, 84, 85, 86, D12/88, 89, 90, 91, 92, 93, 94, 95, 96, D12/97, 98, 99, 100, 181, 184, 185, 190, D12/192, 195, 196, 400, 414; D21/533, D21/548, 552, 561; D15/10, 11, 12, 22, D15/23, 24, 25, 26, 28, 30, 33
CPC B60J 5/00; B60J 5/02; B60J 5/04; B60J 5/0412; B60J 5/0413; B60J 5/0425; B60J 5/0437; B60J 5/0441; B60J 5/0444; B60J 5/0447; B60J 5/0452; B60J 5/0463; B60J 5/0469; B60J 5/0476; B60J 5/0483; B60J 5/0486; B60J 5/0487; B60J 5/049; B60J 5/10; B60J 5/101; B60J 5/102; B60J 5/103; B60J 5/107; B62D 25/02; B62D 25/04; B62D 25/08; B62D 25/087; B62D 25/10; B62D 25/105; B62D 35/00; B60P 3/32; B60R 13/02; B60R 13/0206; B60R 13/0243; B60R 21/0428
See application file for complete search history.

(56) **References Cited**
U.S. PATENT DOCUMENTS
D295,508 S * 5/1988 Wilsgaard D12/196
D501,167 S * 1/2005 Otto D12/196
D582,824 S * 12/2008 Kobayashi D12/196
D583,738 S * 12/2008 Tonello D12/196
D647,835 S * 11/2011 Sowa D12/196
D698,717 S * 2/2014 Kobayashi D12/196
D704,603 S 5/2014 Munson et al.
D708,994 S 7/2014 Thurber
D711,294 S 8/2014 Karras et al.
D733,018 S 6/2015 McCabe et al.
D743,313 S 11/2015 Smith et al.
D743,314 S 11/2015 Thole et al.
D749,997 S 2/2016 McMahan et al.
D753,032 S 4/2016 Smith et al.
D753,033 S 4/2016 Thole et al.
D753,035 S 4/2016 Boniface et al.
D753,567 S 4/2016 Boniface et al.
D758,271 S 6/2016 McMahan et al.

(Continued)

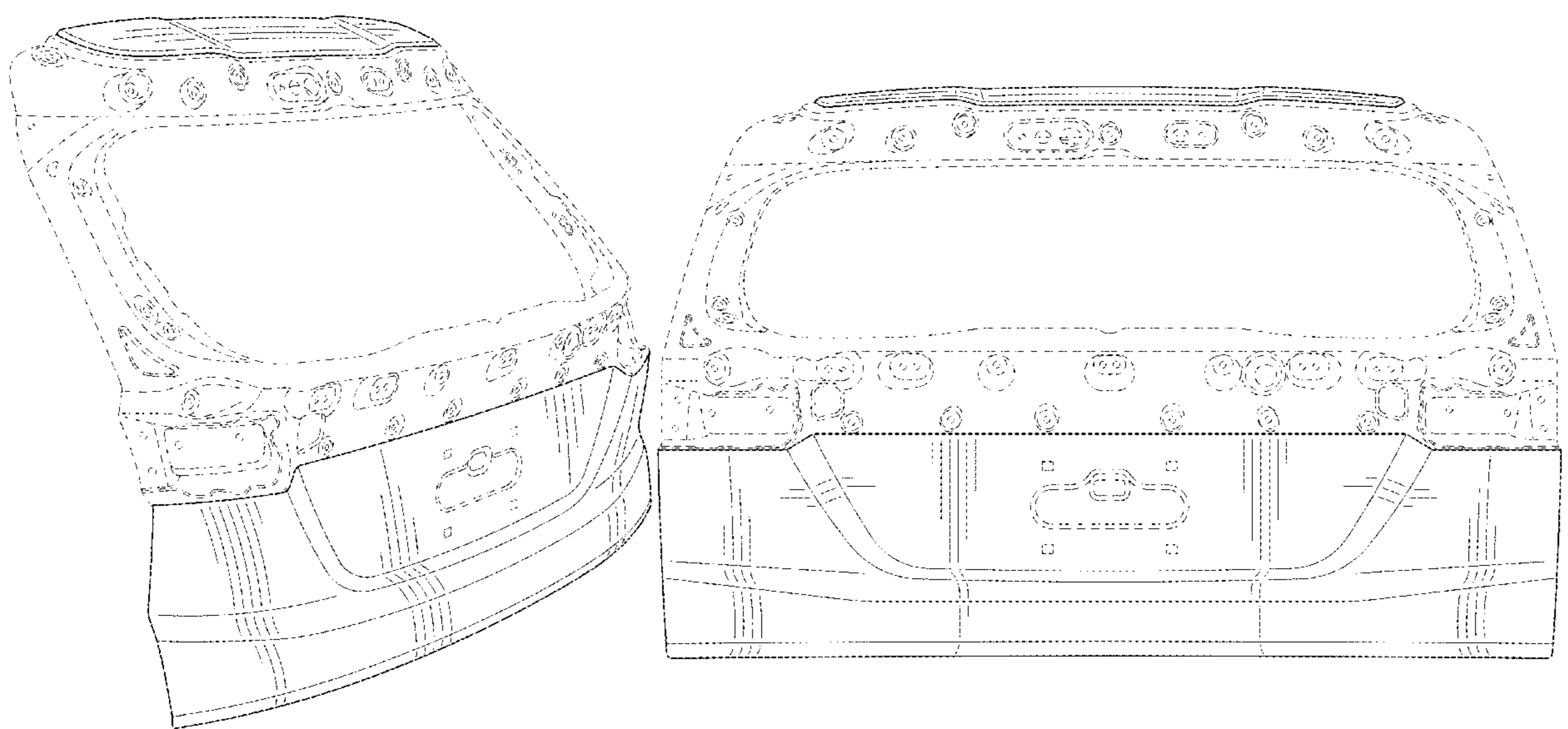
Primary Examiner — Cary M Robinson
Assistant Examiner — Adam C Mager

(57) **CLAIM**
The ornamental design for a vehicle liftgate, as shown and described.

DESCRIPTION

FIG. 1 is a front and left perspective view of a vehicle liftgate showing our new design;
FIG. 2 is a front elevation view thereof;
FIG. 3 is a left elevation view thereof;
FIG. 4 is a right elevation view thereof;
FIG. 5 is a top view thereof;
FIG. 6 is a back elevation view thereof; and,
FIG. 7 is a bottom view thereof.
The broken lines in the drawings depict portions of the vehicle liftgate that form no part of the claimed design.

1 Claim, 7 Drawing Sheets



(56)

References Cited

U.S. PATENT DOCUMENTS

D767,454 S	9/2016	McMahan et al.	D823,763 S	7/2018	Koo et al.
D767,459 S	9/2016	Kim	D828,246 S	9/2018	Loeb
D767,461 S	9/2016	Kozub et al.	D828,261 S	9/2018	Moffett et al.
D776,021 S	1/2017	Kapitonov	D829,143 S	9/2018	McMahan et al.
D776,581 S	1/2017	Pevovar et al.	D835,557 S	* 12/2018	Whitla D12/196
D778,212 S	2/2017	Kozub et al.	D839,163 S	1/2019	Pinazzo et al.
D780,077 S	2/2017	Kim et al.	D840,306 S	2/2019	Kozub
D783,482 S	4/2017	Smith et al.	D841,547 S	2/2019	Zipfel et al.
D784,886 S	4/2017	Smith et al.	D843,904 S	3/2019	Kim
D787,989 S	5/2017	Kozub et al.	D845,186 S	4/2019	Koo et al.
D788,001 S	5/2017	Lee	D845,188 S	4/2019	Pinazzo et al.
D789,575 S	6/2017	Willett	D845,189 S	4/2019	Pinazzo et al.
D789,849 S	6/2017	Lee	D846,457 S	4/2019	Koo et al.
D792,294 S	7/2017	McCabe et al.	D846,458 S	4/2019	Mack et al.
D793,294 S	8/2017	Lee	D847,043 S	4/2019	Kozub
D793,295 S	8/2017	McCabe et al.	D847,045 S	4/2019	Whitla et al.
D793,299 S	8/2017	Krieg et al.	D847,046 S	4/2019	Whitla et al.
D793,300 S	8/2017	Krieg et al.	D847,047 S	4/2019	Krieg et al.
D797,616 S	9/2017	Lee	D847,703 S	5/2019	Kozub
D797,631 S	9/2017	Pevovar et al.	D848,909 S	5/2019	Lee
D797,632 S	* 9/2017	Zipfel D12/196	D848,911 S	5/2019	De Leon
D801,236 S	10/2017	Kozub et al.	D849,627 S	5/2019	Zipfel
D801,882 S	11/2017	Kozub et al.	D849,629 S	5/2019	De Leon
D801,889 S	11/2017	Han	D849,630 S	5/2019	De Leon
D804,370 S	12/2017	Kozub et al.	D851,558 S	6/2019	Thurber et al.
D804,371 S	12/2017	Whitla et al.	D851,559 S	6/2019	Thurber et al.
D805,441 S	12/2017	Karras	D853,924 S	7/2019	Riggs et al.
D805,985 S	12/2017	Nakamura	D854,462 S	7/2019	Lee
D811,958 S	3/2018	Zipfel et al.	D855,504 S	8/2019	Lee
D811,959 S	3/2018	Perkins	D855,505 S	8/2019	Thurber et al.
D811,961 S	3/2018	Sullivan	D855,507 S	8/2019	Blanski et al.
D811,962 S	3/2018	Sullivan	D856,242 S	8/2019	Blanski et al.
D811,963 S	3/2018	Sullivan	D857,260 S	8/2019	Kil et al.
D811,965 S	3/2018	Moffett et al.	D858,377 S	9/2019	Riggs et al.
D813,110 S	3/2018	Whitla et al.	D859,237 S	9/2019	Koo et al.
D813,111 S	3/2018	Sullivan	D859,238 S	9/2019	Smith et al.
D813,116 S	3/2018	Park	D859,239 S	9/2019	Sullivan et al.
D813,117 S	3/2018	Sullivan	D859,252 S	* 9/2019	Krieg D12/196
D813,740 S	3/2018	Park	D859,253 S	9/2019	Izard
D813,741 S	3/2018	Perkins	D859,254 S	9/2019	Izard
D813,742 S	3/2018	McMahan et al.	D860,077 S	9/2019	Riggs et al.
D813,743 S	3/2018	Lee	D860,079 S	9/2019	Sullivan et al.
D813,744 S	3/2018	Whitla et al.	D863,142 S	10/2019	Zipfel
D813,748 S	3/2018	Kim	D863,169 S	10/2019	Whitla et al.
D813,753 S	3/2018	Loeb	D867,949 S	11/2019	Thurber et al.
D813,754 S	3/2018	Loeb	D868,660 S	12/2019	De Leon
D813,755 S	3/2018	Loeb	D873,751 S	1/2020	De Leon
D813,756 S	3/2018	Loeb	D877,005 S	3/2020	Luke et al.
D815,572 S	4/2018	Perkins	D877,006 S	3/2020	Luke et al.
D816,003 S	* 4/2018	Perkins D12/184	D881,087 S	4/2020	Luke et al.
D816,563 S	5/2018	McMahan et al.	D890,669 S	* 7/2020	Lim D12/196
D816,565 S	5/2018	Kim	D896,716 S	* 9/2020	Battams D12/196
D817,836 S	5/2018	McMahan et al.	D897,255 S	9/2020	Zipfel
D818,922 S	5/2018	Whitla et al.	D897,919 S	10/2020	Choi et al.
D819,519 S	6/2018	Whitla et al.	D902,800 S	11/2020	Gay
D822,551 S	7/2018	McMahan et al.	D902,801 S	11/2020	Gay
D823,762 S	7/2018	Loeb	D903,568 S	12/2020	Choi et al.
			D951,840 S	* 5/2022	Cho D12/196

* cited by examiner

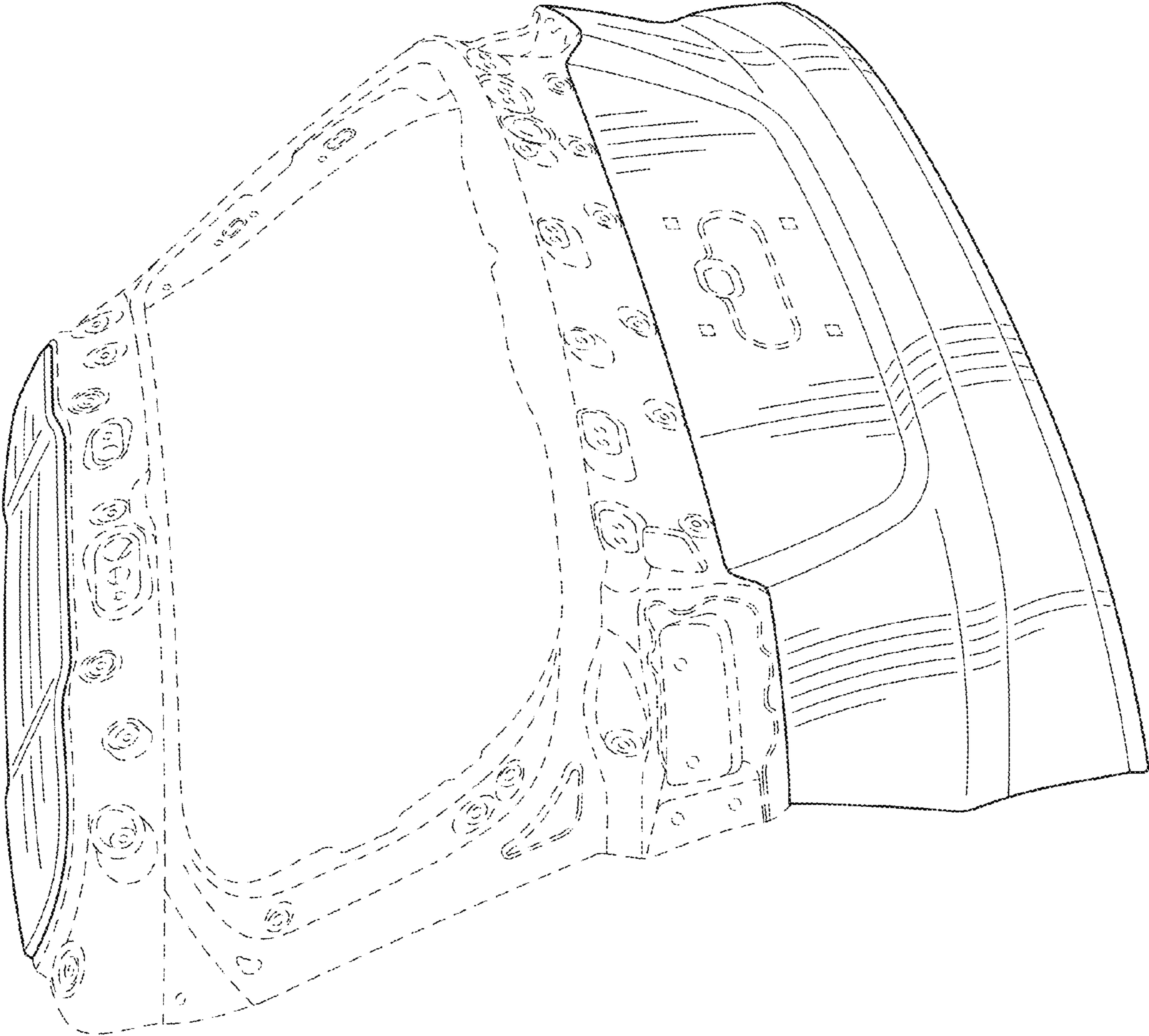


FIG. 1

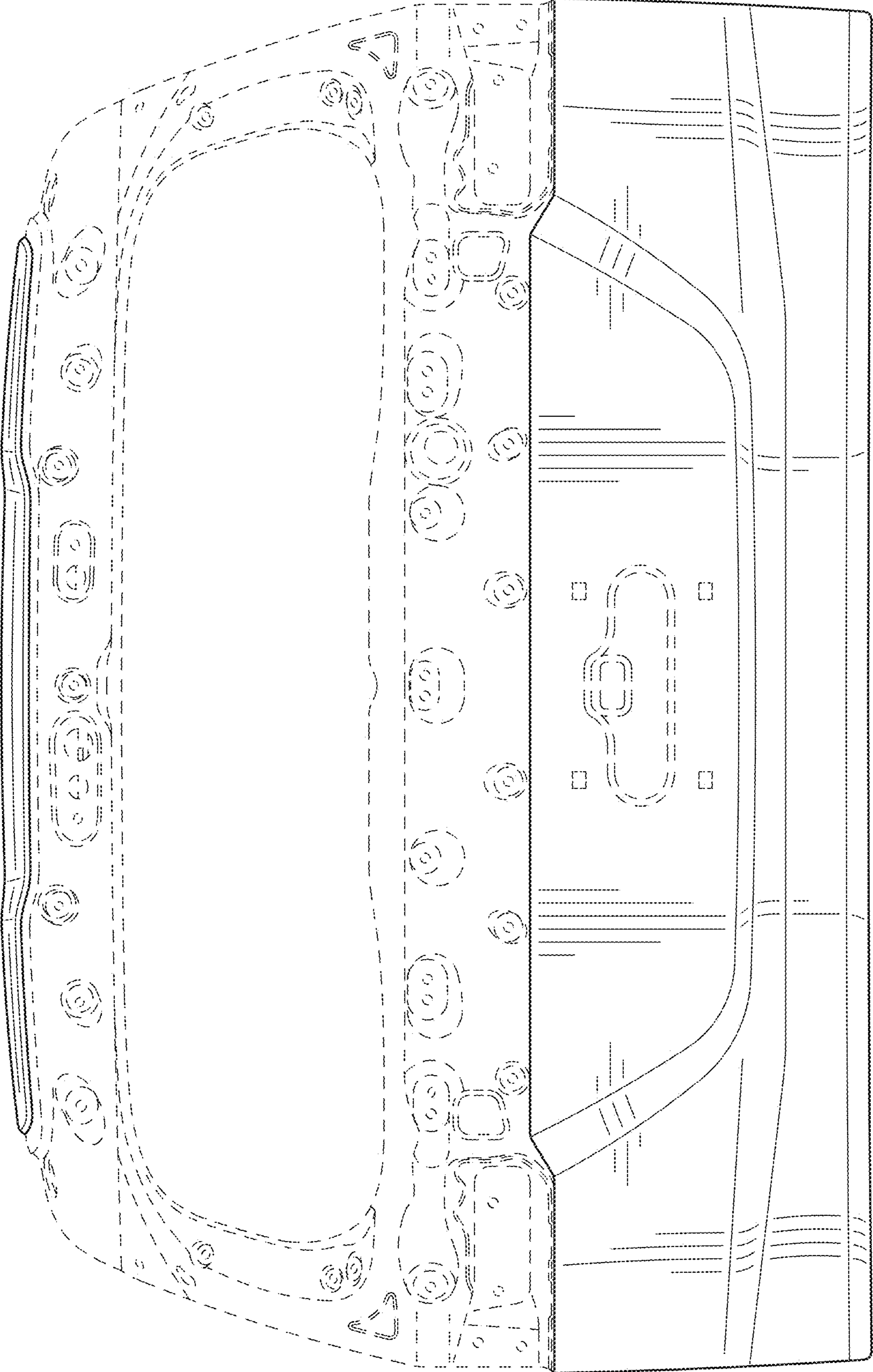


FIG. 2

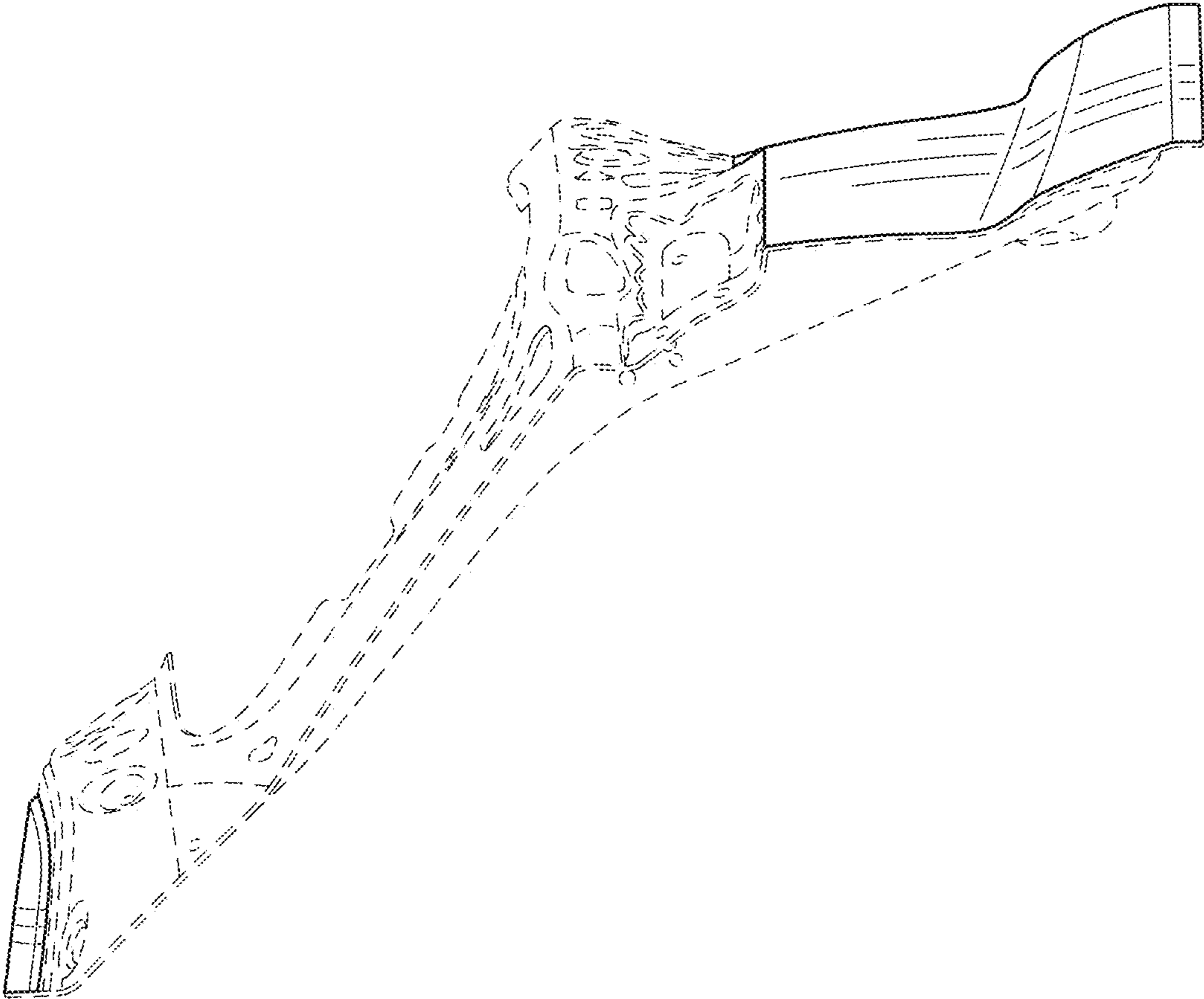


FIG. 3

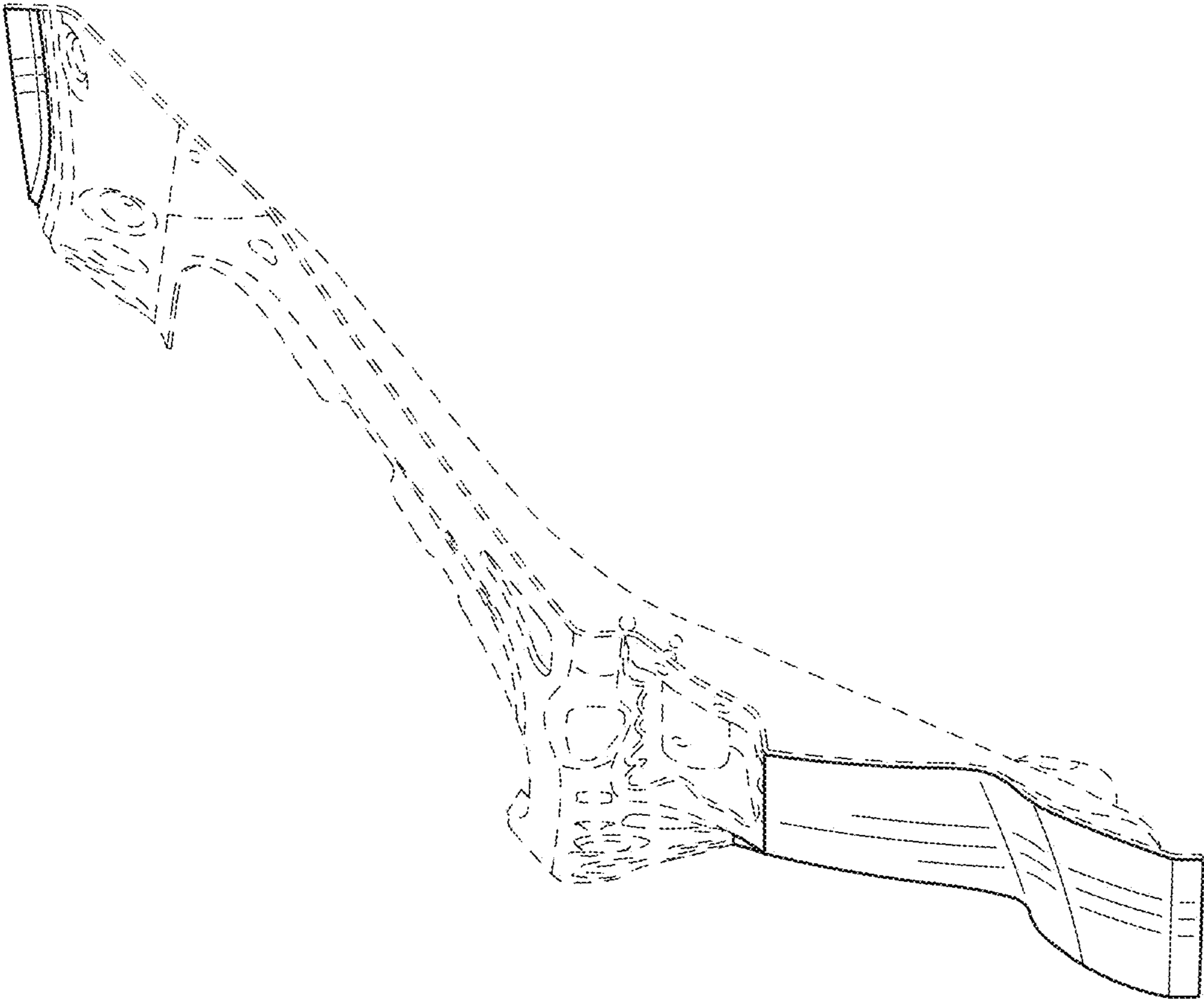


FIG. 4

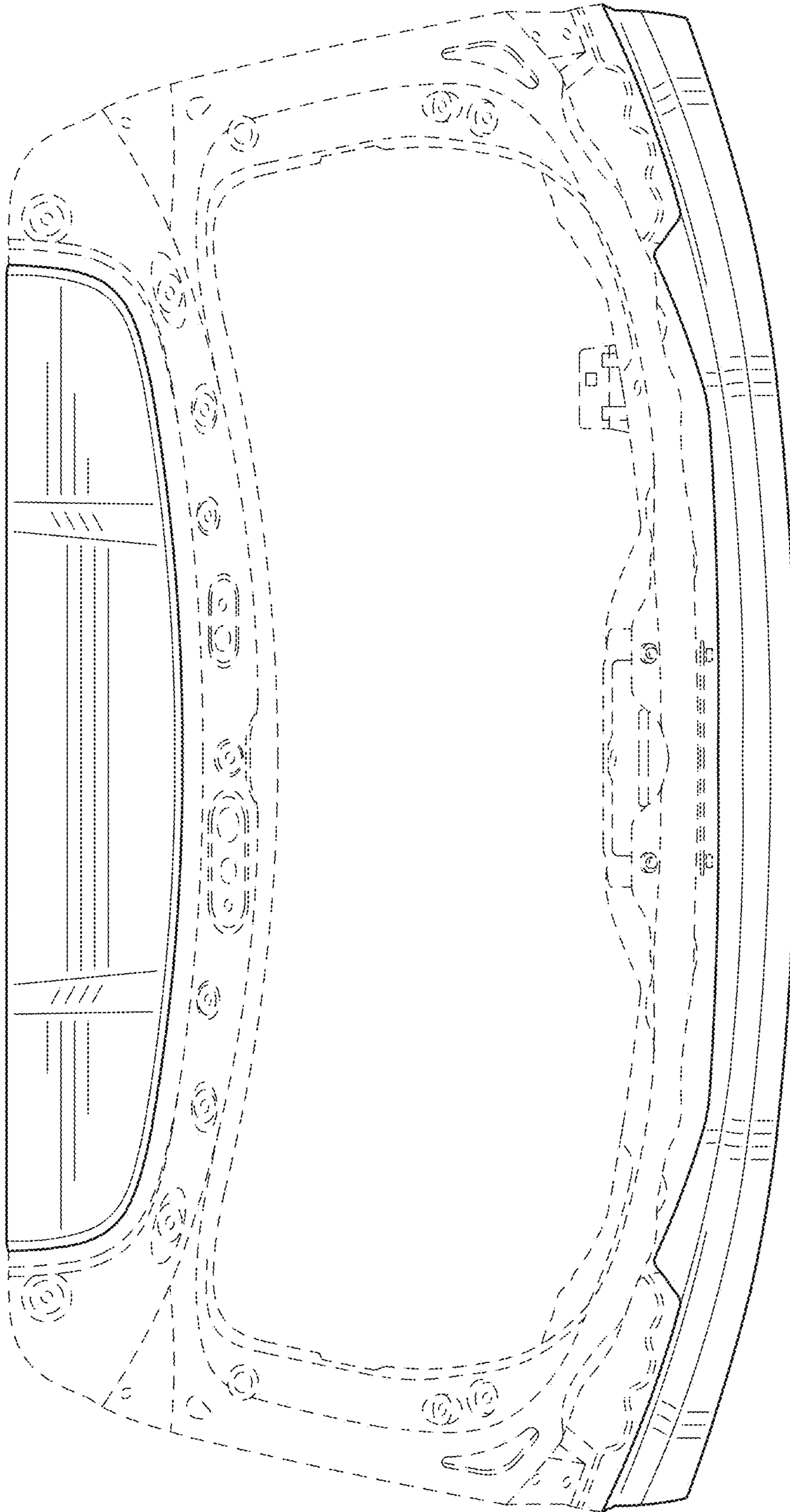


FIG. 5

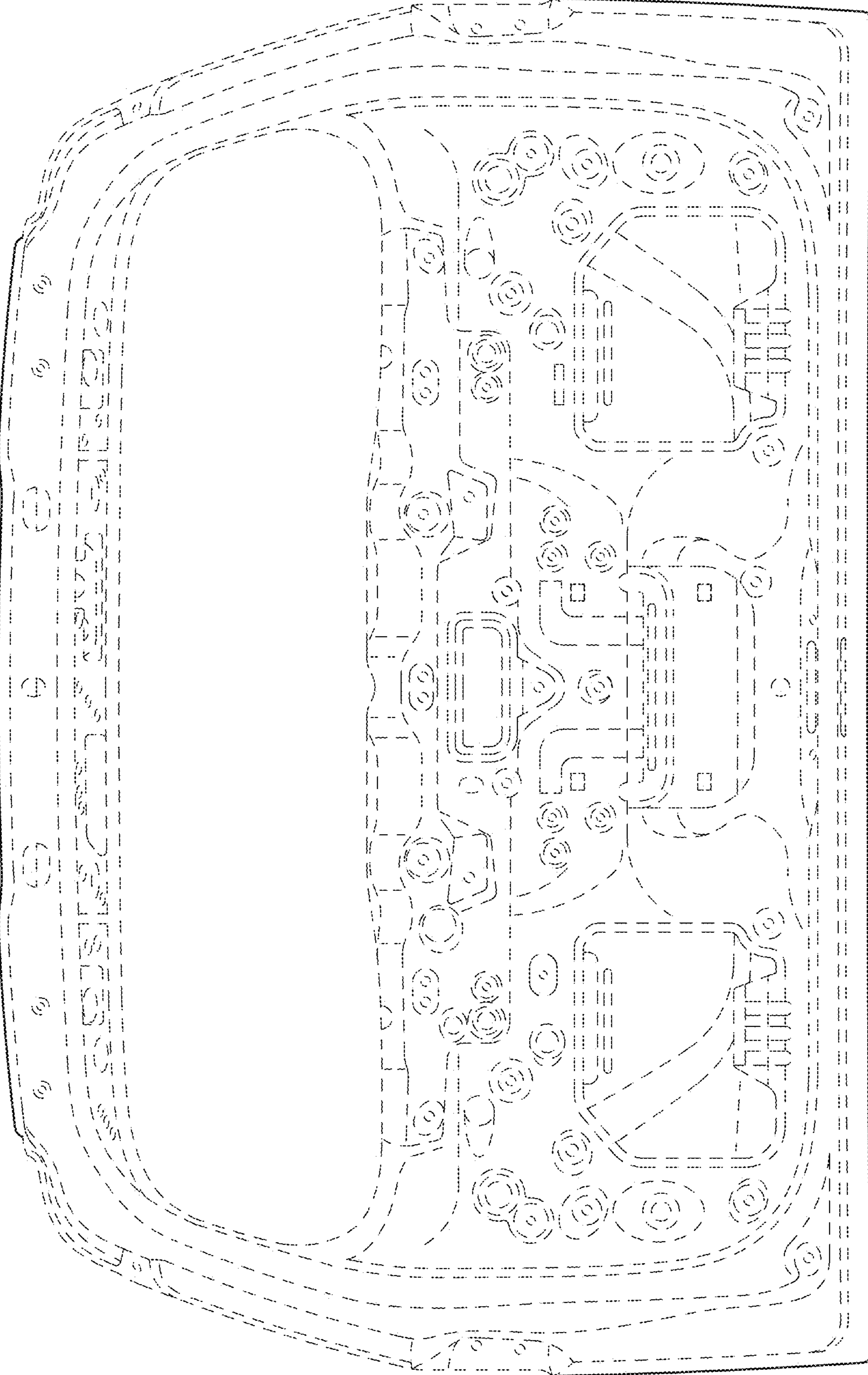


FIG. 6

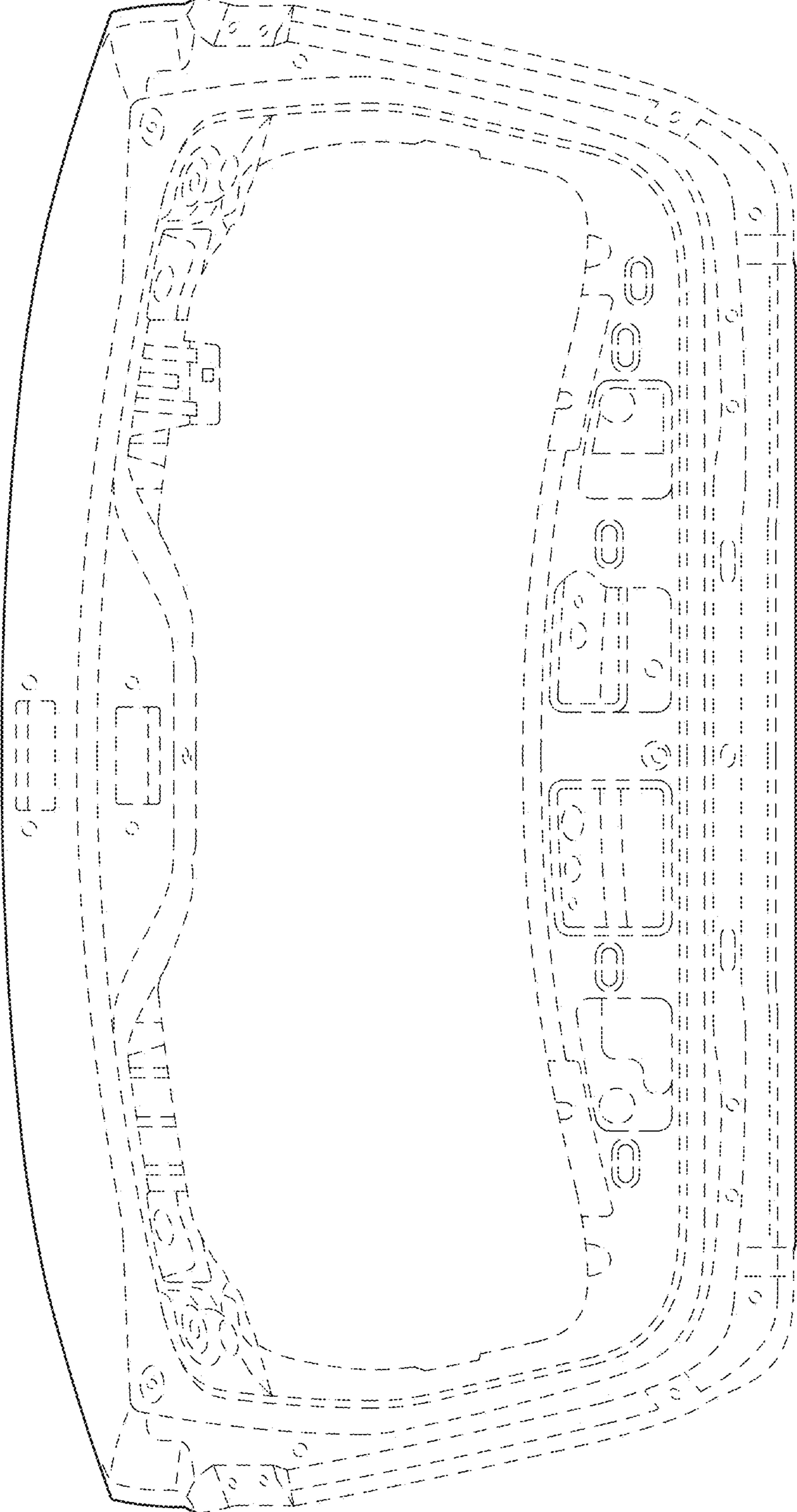


FIG. 7