



US00D974255S

(12) **United States Design Patent**  
**Jia et al.**

(10) **Patent No.:** **US D974,255 S**  
(45) **Date of Patent:** **\*\* Jan. 3, 2023**

(54) **SIDE MIRROR**

(71) Applicant: **Guangzhou Issyzone Technology Co., Limited**, Guangzhou (CN)

(72) Inventors: **Zhuo Jia**, Guangzhou (CN); **Taiping Yang**, Guangzhou (CN)

(\*\*) Term: **15 Years**

(21) Appl. No.: **29/818,720**

(22) Filed: **Dec. 10, 2021**

(51) **LOC (14) Cl.** ..... **12-16**

(52) **U.S. Cl.**  
USPC ..... **D12/187**

(58) **Field of Classification Search**  
USPC ..... D12/187, 188; D26/1, 28, 29, 34  
CPC .... B60R 1/04; B60R 1/06; B60R 1/12; B60R 1/076  
See application file for complete search history.

(56) **References Cited**

**U.S. PATENT DOCUMENTS**

D626,047 S \* 10/2010 Owyang ..... D12/187  
D759,557 S \* 6/2016 Suesse ..... D12/187

D873,744 S 1/2020 Chen  
D932,965 S \* 10/2021 Sims ..... D12/187  
D944,698 S \* 3/2022 Olson ..... D12/187  
D949,073 S \* 4/2022 Liu ..... D12/187

**FOREIGN PATENT DOCUMENTS**

CN 306267429 \* 1/2021

\* cited by examiner

*Primary Examiner* — Deanna L Pratt

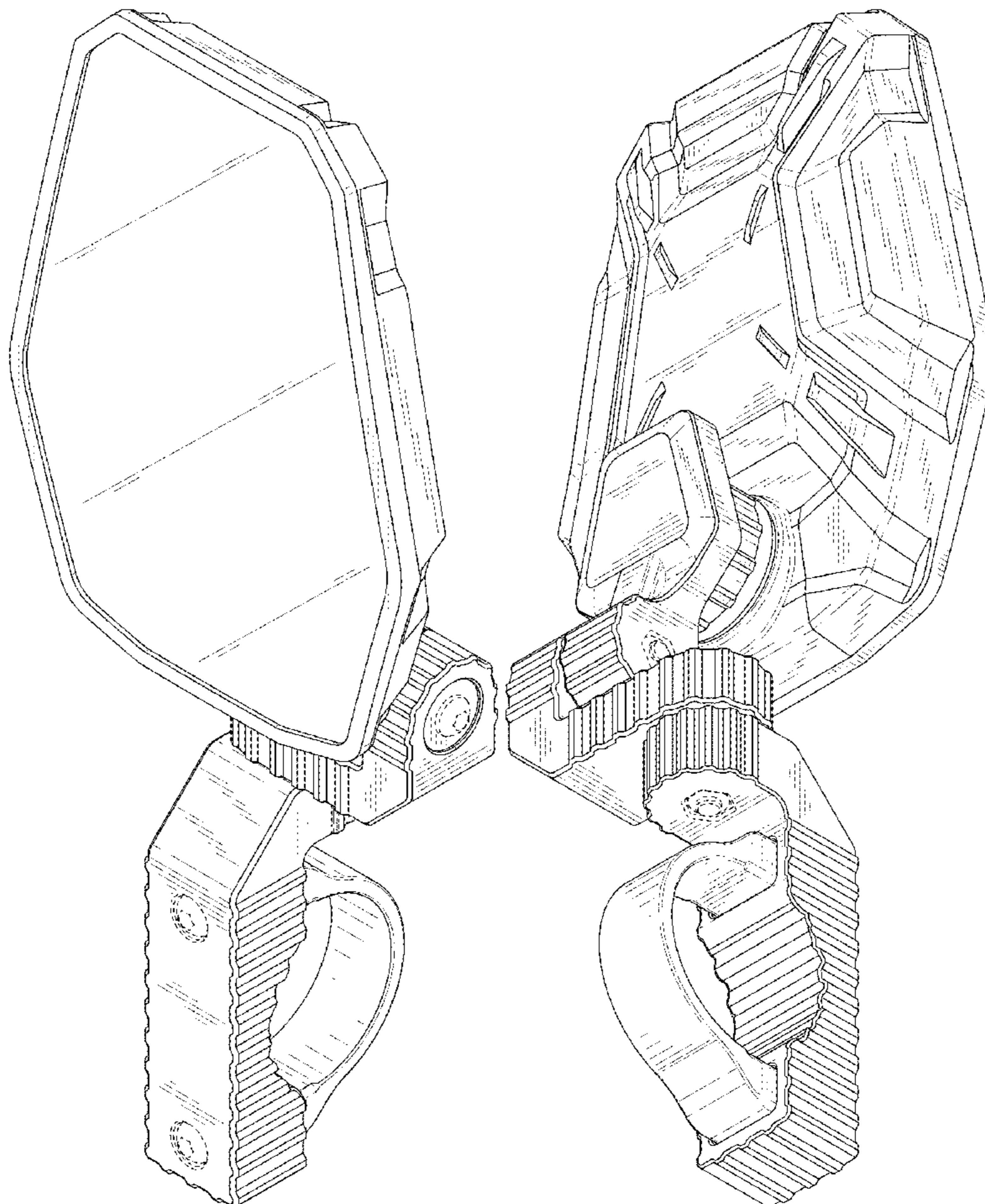
(57) **CLAIM**

The ornamental design for a side mirror, as shown and described.

**DESCRIPTION**

FIG. 1 is a front and top perspective view of a side mirror, showing my new design;  
FIG. 2 is a rear and bottom perspective view thereof;  
FIG. 3 is a front elevation view thereof;  
FIG. 4 is a rear elevation view thereof;  
FIG. 5 is a left side elevation view thereof;  
FIG. 6 is a right side elevation view thereof;  
FIG. 7 is a top plan view thereof; and,  
FIG. 8 is a bottom plan view thereof.  
The broken lines in the figures illustrate portions of the side mirror that form no part of the claimed design.

**1 Claim, 8 Drawing Sheets**



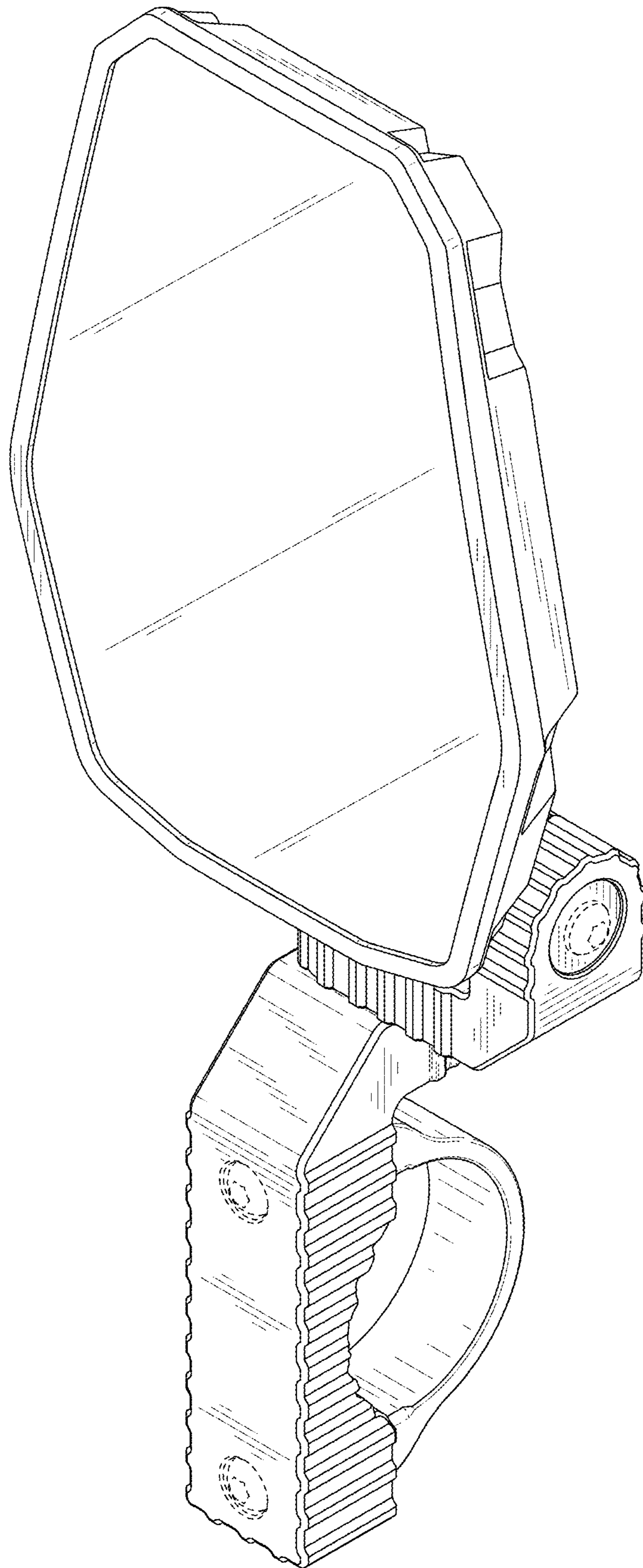


FIG. 1

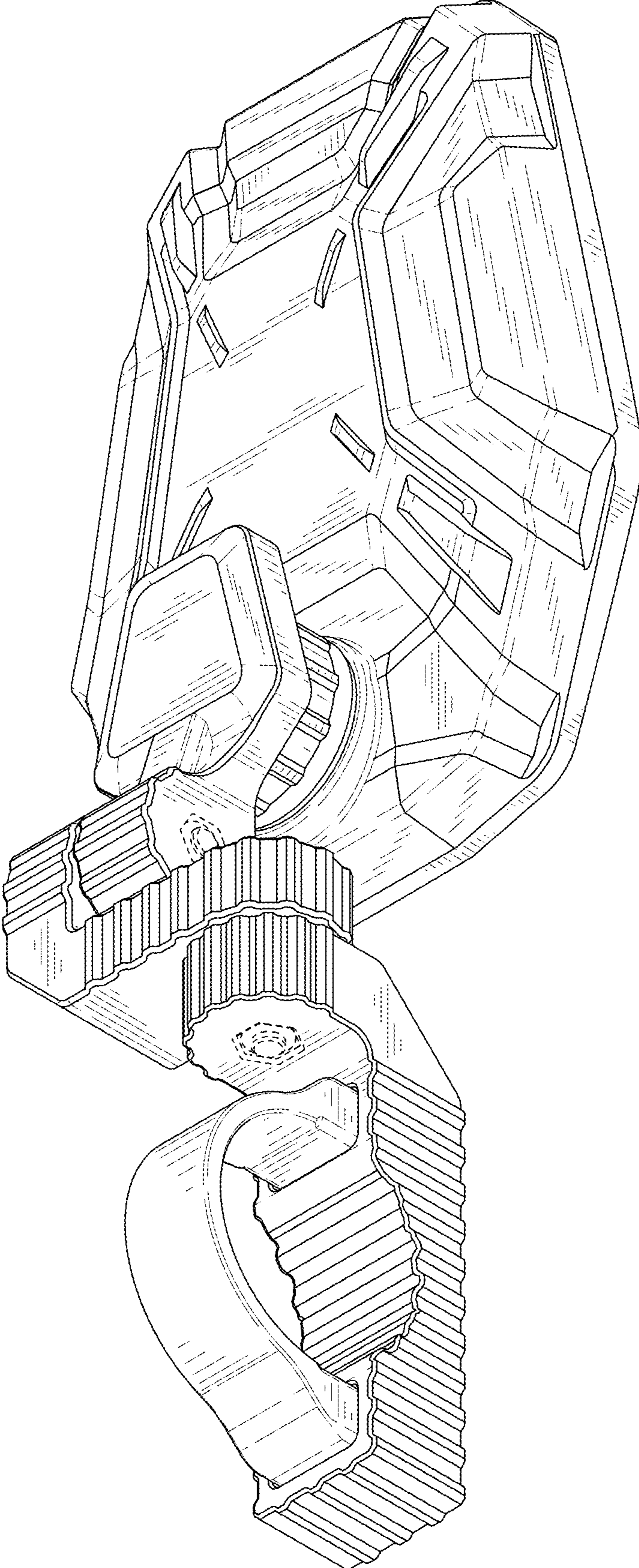


FIG. 2

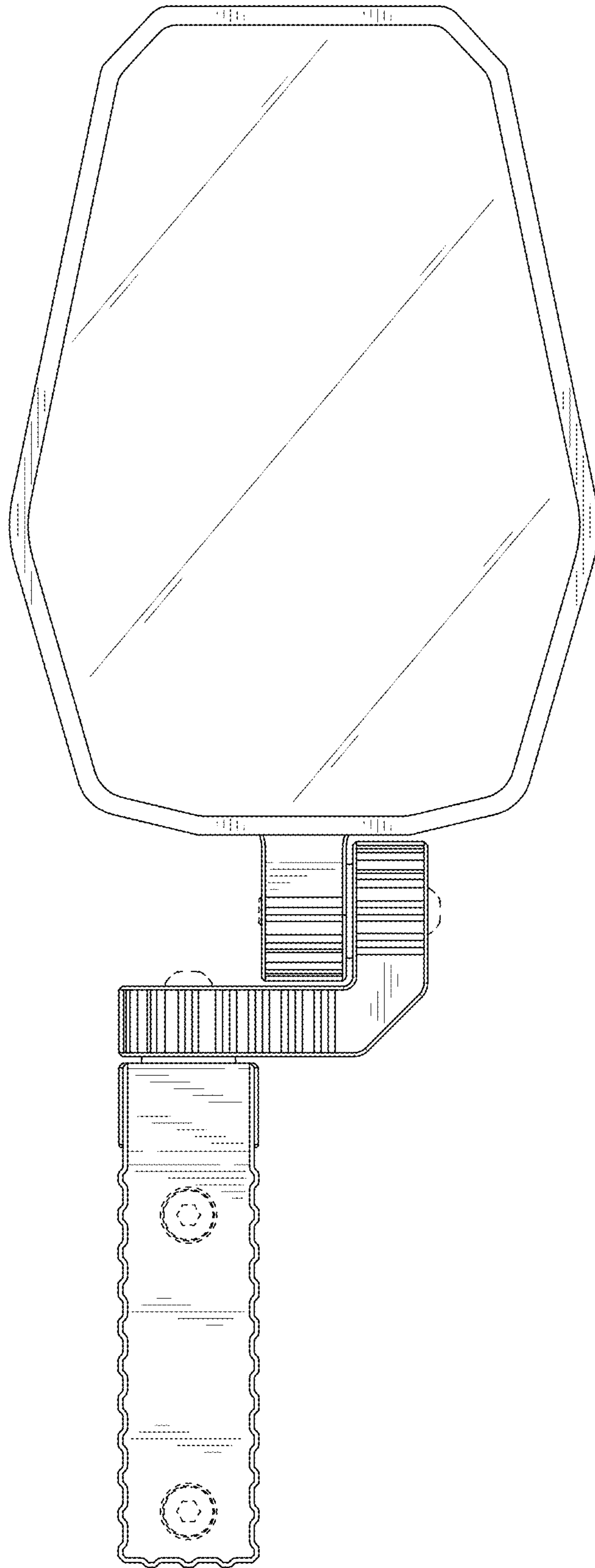


FIG. 3

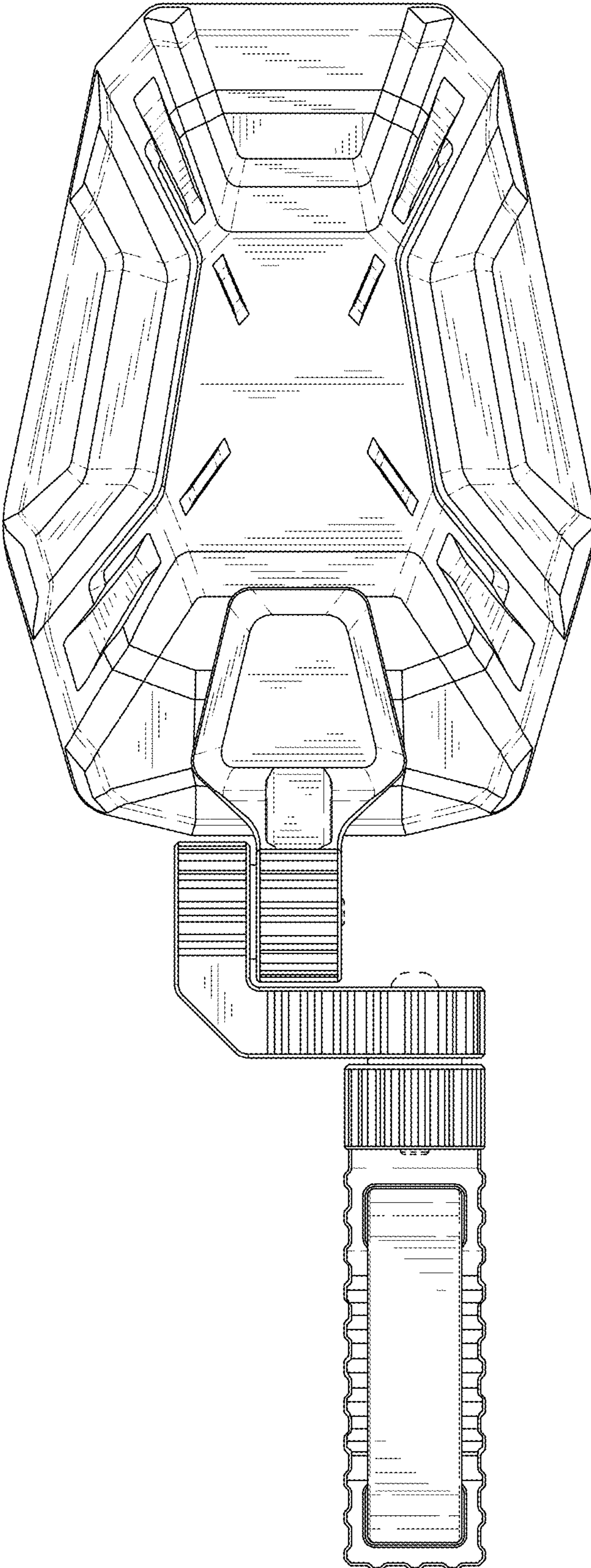


FIG. 4

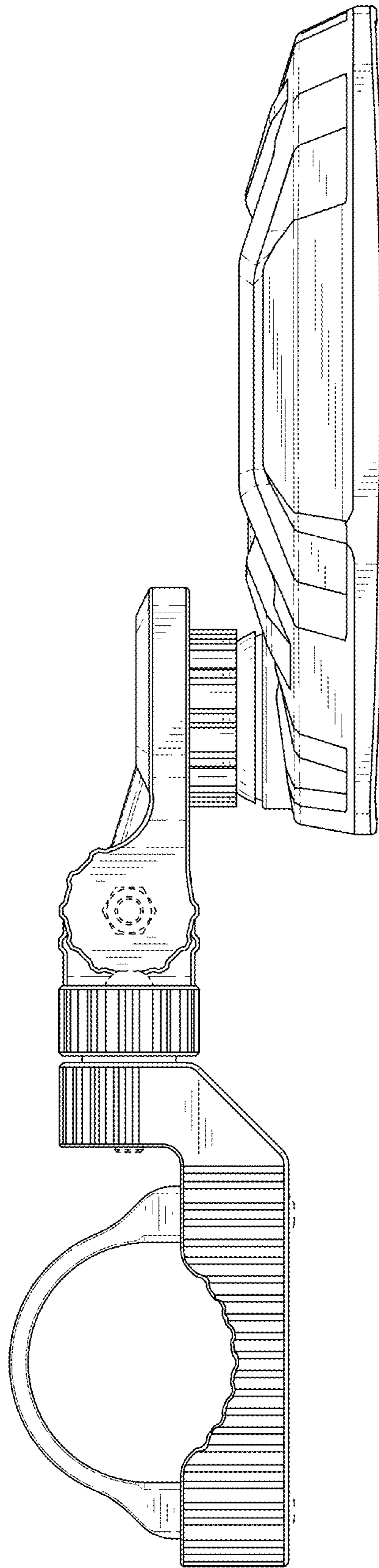


FIG. 5

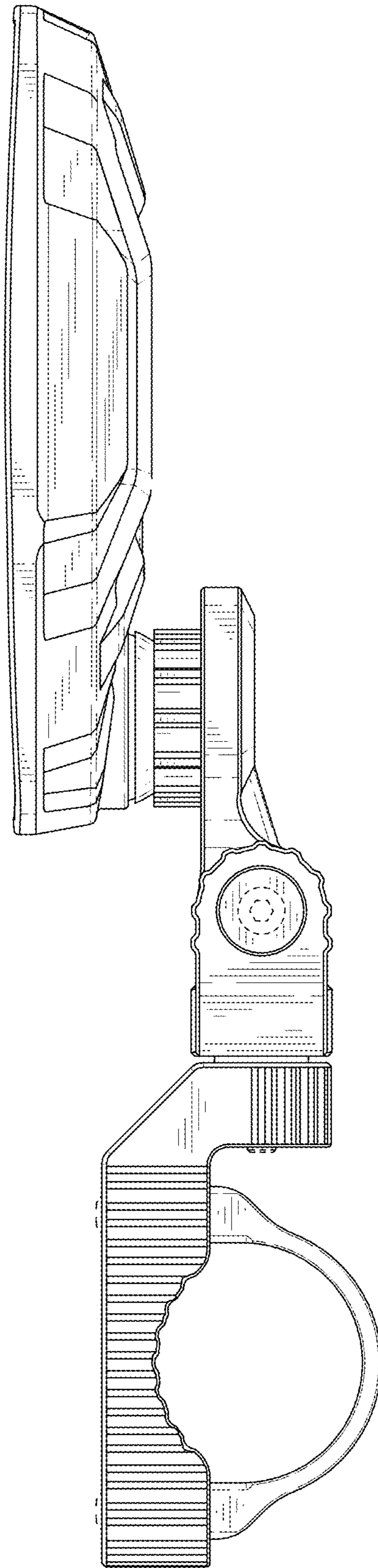


FIG. 6

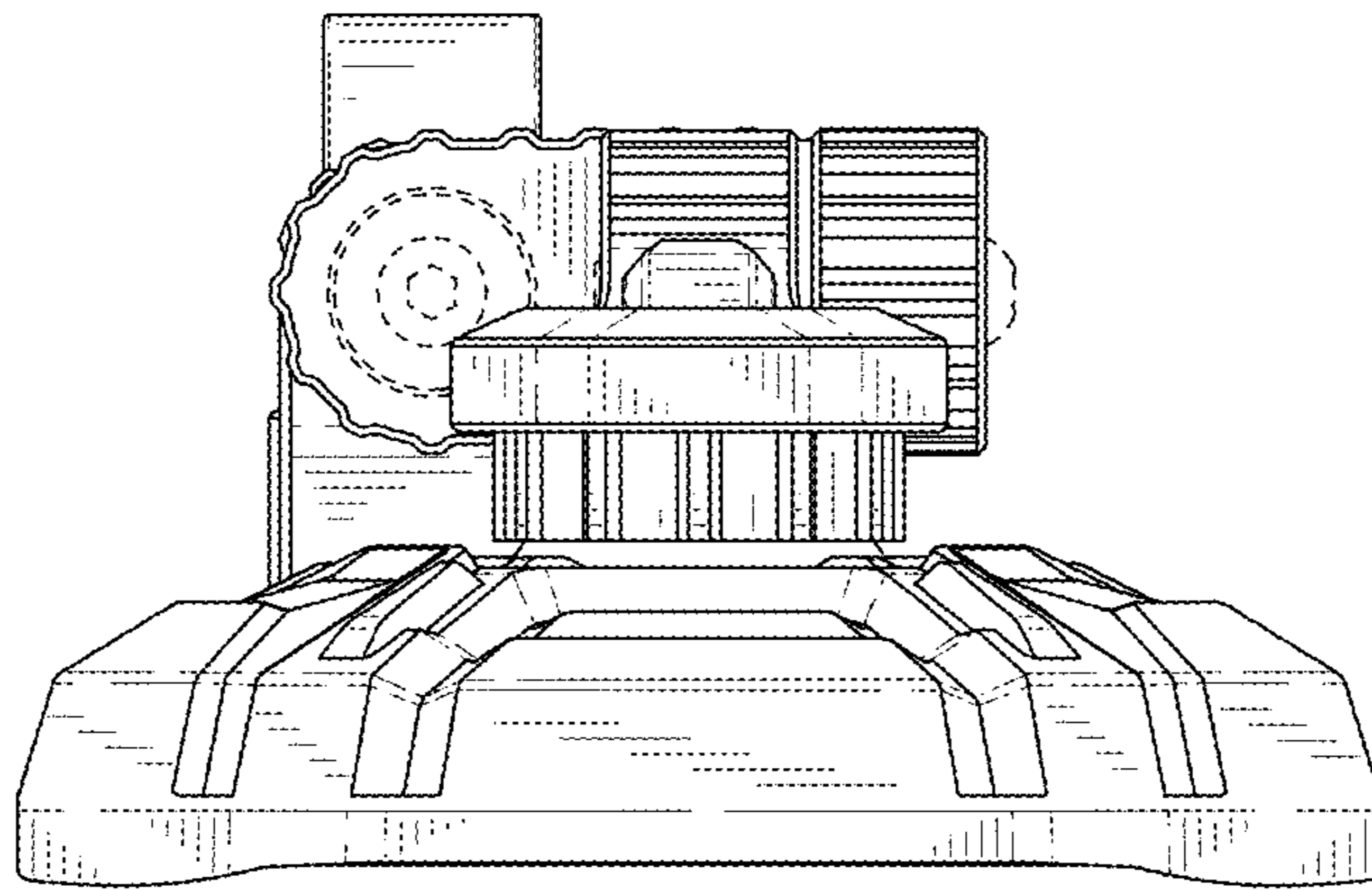


FIG. 7



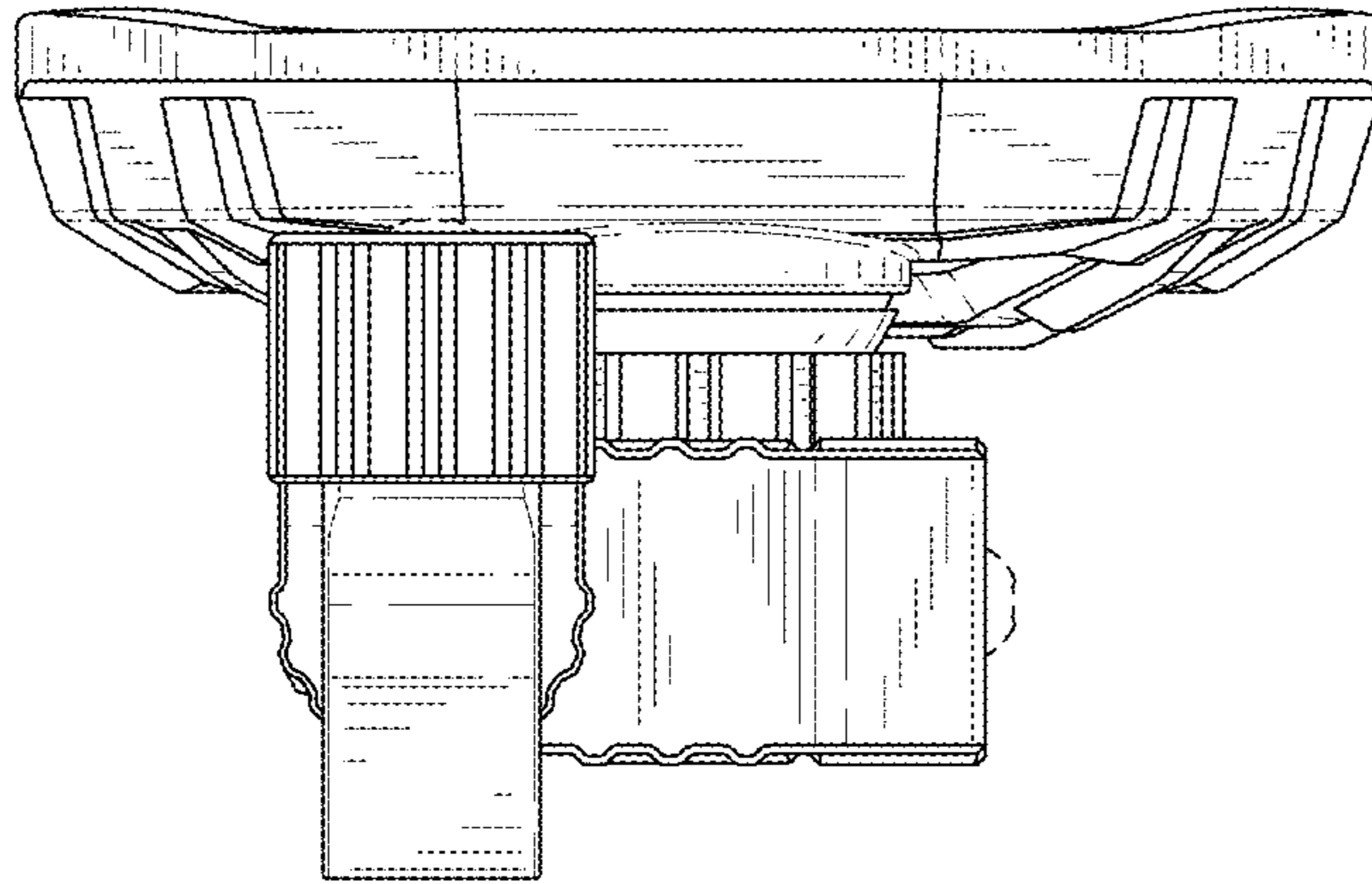


FIG. 8