



US00D974251S

(12) **United States Design Patent** (10) **Patent No.:** **US D974,251 S**
McMath (45) **Date of Patent:** **** Jan. 3, 2023**

(54) **VEHICLE REAR BUMPER**
(71) Applicant: **Landon Cole McMath**, Riverside, CA
(US)

(72) Inventor: **Landon Cole McMath**, Riverside, CA
(US)

(**) Term: **15 Years**

(21) Appl. No.: **29/794,157**

(22) Filed: **Jun. 10, 2021**

(51) **LOC (14) Cl.** **12-16**

(52) **U.S. Cl.**
USPC **D12/171**

(58) **Field of Classification Search**
USPC D12/86, 90-92, 163-164, 169, 171, 196,
D12/216; D21/232, 424, 433
CPC B60R 19/02; B60R 19/18; B60R 19/24;
B60R 19/56; B60R 2019/007
See application file for complete search history.

(56) **References Cited**

U.S. PATENT DOCUMENTS

D420,962 S * 2/2000 Chevalier D12/171
D792,818 S * 7/2017 McMath D12/171
D800,028 S * 10/2017 Baggett D12/169
D847,051 S * 4/2019 DiCanzio D12/171
D867,942 S * 11/2019 Mikhailov D12/171
D874,999 S * 2/2020 Ewing D12/171
D880,381 S * 4/2020 DiCanzio D12/171
D898,635 S * 10/2020 Wiltshire D12/171
D909,261 S * 2/2021 Marshall D12/169

D923,112 S * 6/2021 Hagler D21/561
D945,332 S * 3/2022 Hagler D12/171
D960,254 S * 8/2022 Ewing D21/561

OTHER PUBLICATIONS

Ebay, Kuafu Rear Bumper Guard Protection, published Sep. 6, 2022 [retrieved Oct. 19, 2022]. Retrieved from the internet<<https://www.ebay.com/itm/114352491772>> (Year: 2022).*

* cited by examiner

Primary Examiner — Joseph Kukella

Assistant Examiner — Lavon M. Amerson

(74) *Attorney, Agent, or Firm* — Curtis L. Harrington;
Harrington & Harrington

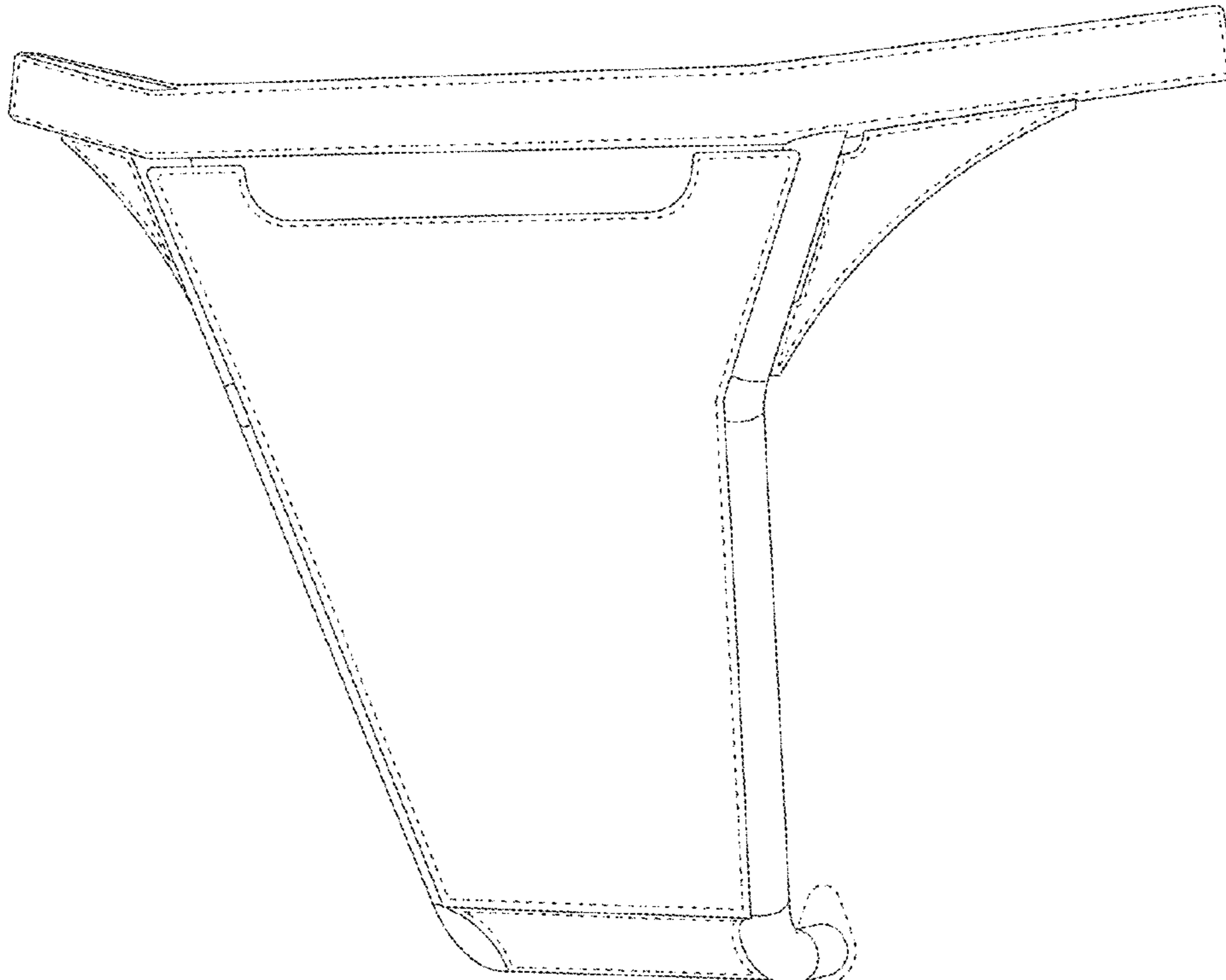
(57) **CLAIM**

The ornamental design for a vehicle rear bumper, as shown and described.

DESCRIPTION

FIG. 1 is a right upper perspective view of a vehicle rear bumper showing my new design;
FIG. 2 is a right side elevational view thereof, the left side elevational view being a mirror image;
FIG. 3 is a front elevational view thereof;
FIG. 4 is a rear elevational view thereof;
FIG. 5 top plan view thereof; and,
FIG. 6 is a bottom plan view thereof.
The dash-dash even broken lines illustrate and surround portions of the vehicle rear bumper that form no part of the claimed design.

1 Claim, 3 Drawing Sheets



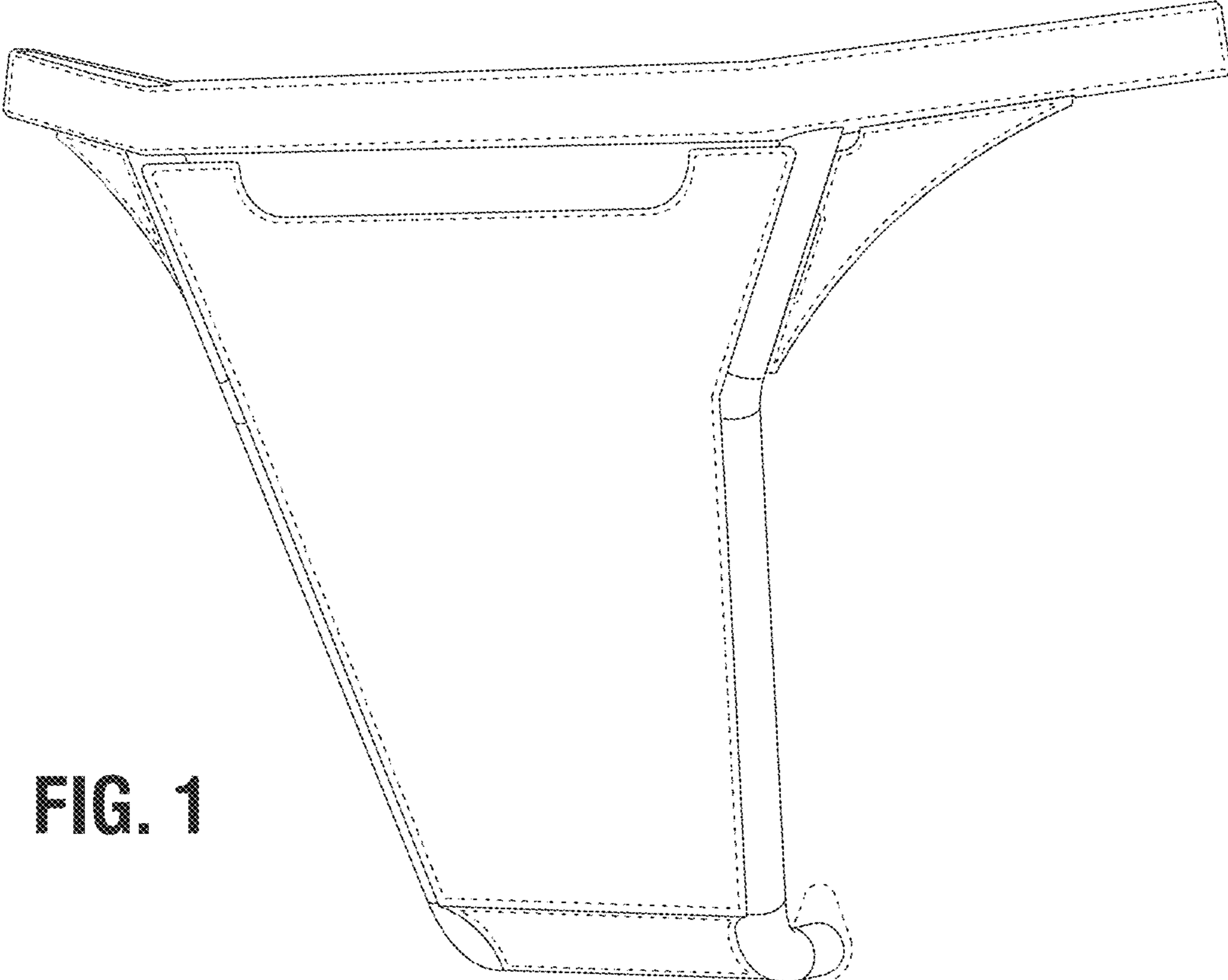


FIG. 1

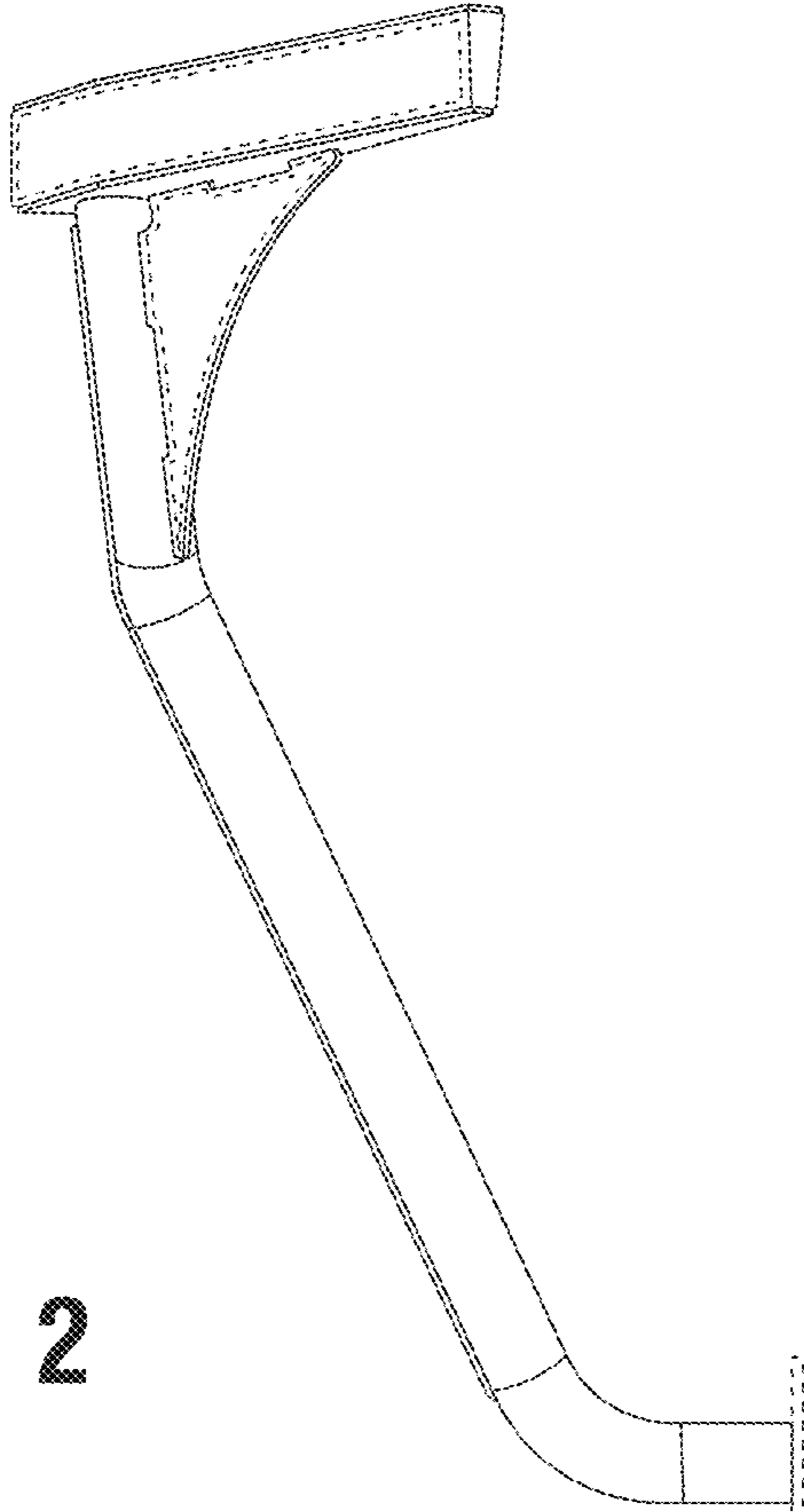


FIG. 2

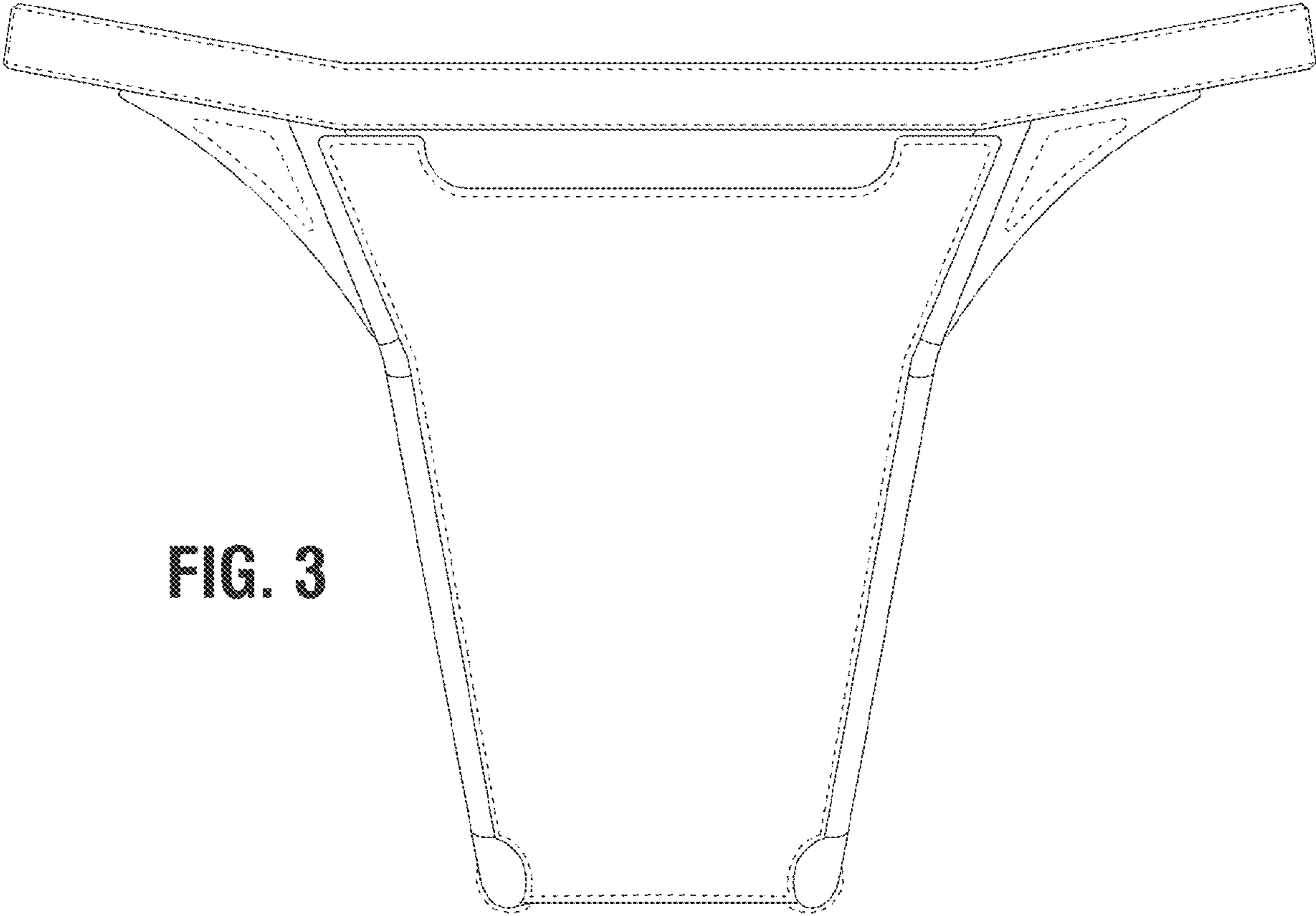


FIG. 3



FIG. 4

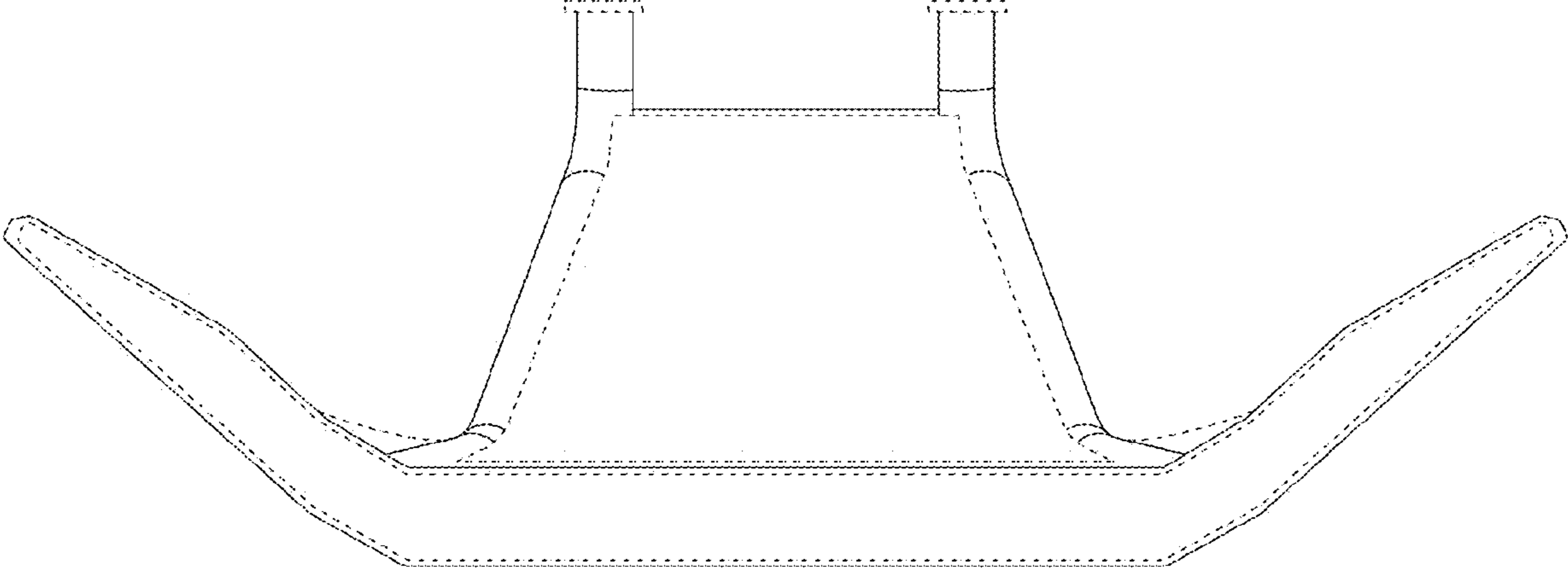


FIG. 5

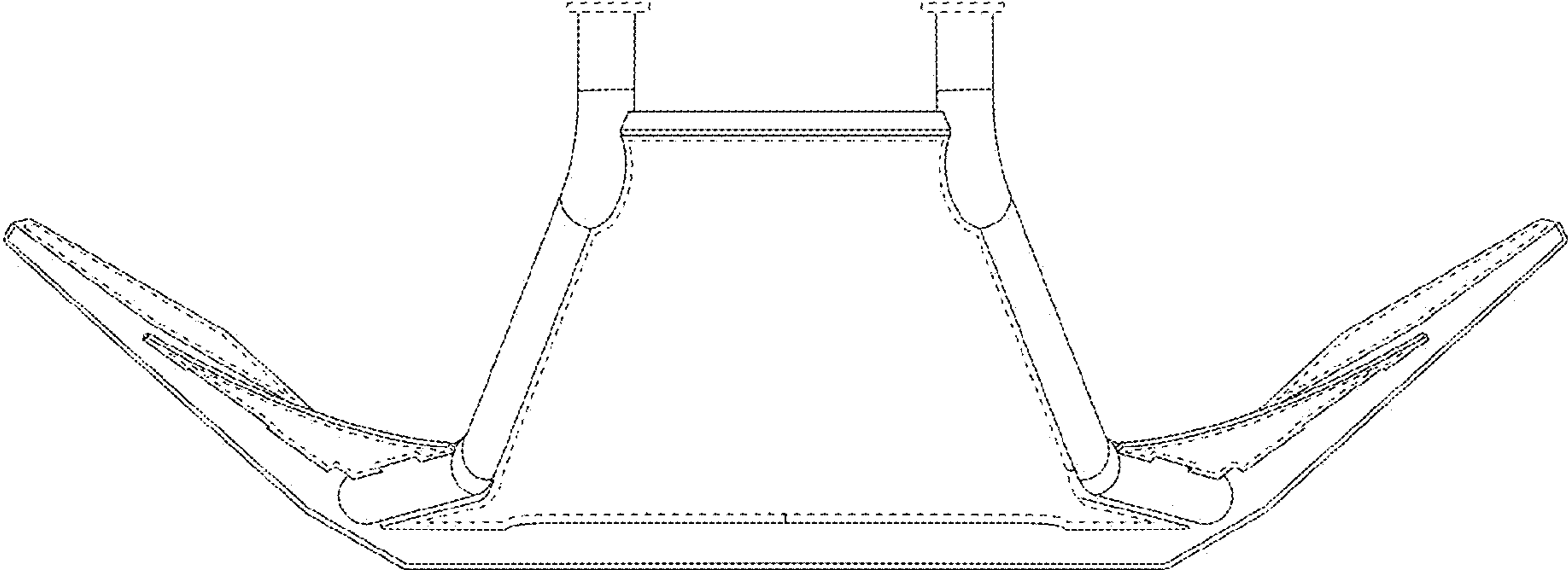


FIG. 6