



US00D974250S

(12) **United States Design Patent** (10) **Patent No.:** **US D974,250 S**
Hu (45) **Date of Patent:** **** Jan. 3, 2023**

(54) **FRONT BUMPER FOR AN AUTOMOBILE**

FOREIGN PATENT DOCUMENTS

(71) Applicant: **Shanghai Yinta NetWork Technology Co., Ltd.**, Shanghai (CN)

CN 202030607566.7 * 10/2020

(72) Inventor: **Shaomin Hu**, Shanghai (CN)

OTHER PUBLICATIONS

(73) Assignee: **Shanghai Yinta NetWork Technology Co., Ltd.**, Shanghai (CN)

Youtube, Installation | Front Bumper for 2018-2021 Jeep Wrangler JL & Unlimited JLU(2/4Doors), published Aug. 5, 2021 [retrieved Oct. 18, 2022]. Retrieved from the internet<<https://www.youtube.com/watch?v=JbH0kD9hFYM>> (Year: 2021).*

(**) Term: **15 Years**

Amazon, OEDRO Front and Rear bumper Fit for Jeep Wrangler JL, published Dec. 28, 2021 [retrieved Oct. 18, 2022]. Retrieved from the internet<<https://www.amazon.com/Compatible-2018-2022-Wrangler-Mounting-Paintable/dp/B09PBGVQ2L>> (Year: 2021).*

(21) Appl. No.: **29/778,286**

(22) Filed: **Apr. 12, 2021**

* cited by examiner

(30) **Foreign Application Priority Data**

Oct. 13, 2020 (CN) 202030607566.7

(51) **LOC (14) Cl.** **12-16**

(52) **U.S. Cl.**
USPC **D12/171**

(58) **Field of Classification Search**
USPC D12/86, 90-92, 163-164, 169, 171, 196,
D12/216; D21/232, 424, 433
CPC B60R 19/02; B60R 19/18; B60R 19/24;
B60R 19/56; B60R 2019/007
See application file for complete search history.

Primary Examiner — Joseph Kukella

Assistant Examiner — Lavon M. Amerson

(74) *Attorney, Agent, or Firm* — Dragon Sun Law Firm, PC; Jinggao Li, Esq.

(57) **CLAIM**

The ornamental design for a front bumper for an automobile, as shown and described.

DESCRIPTION

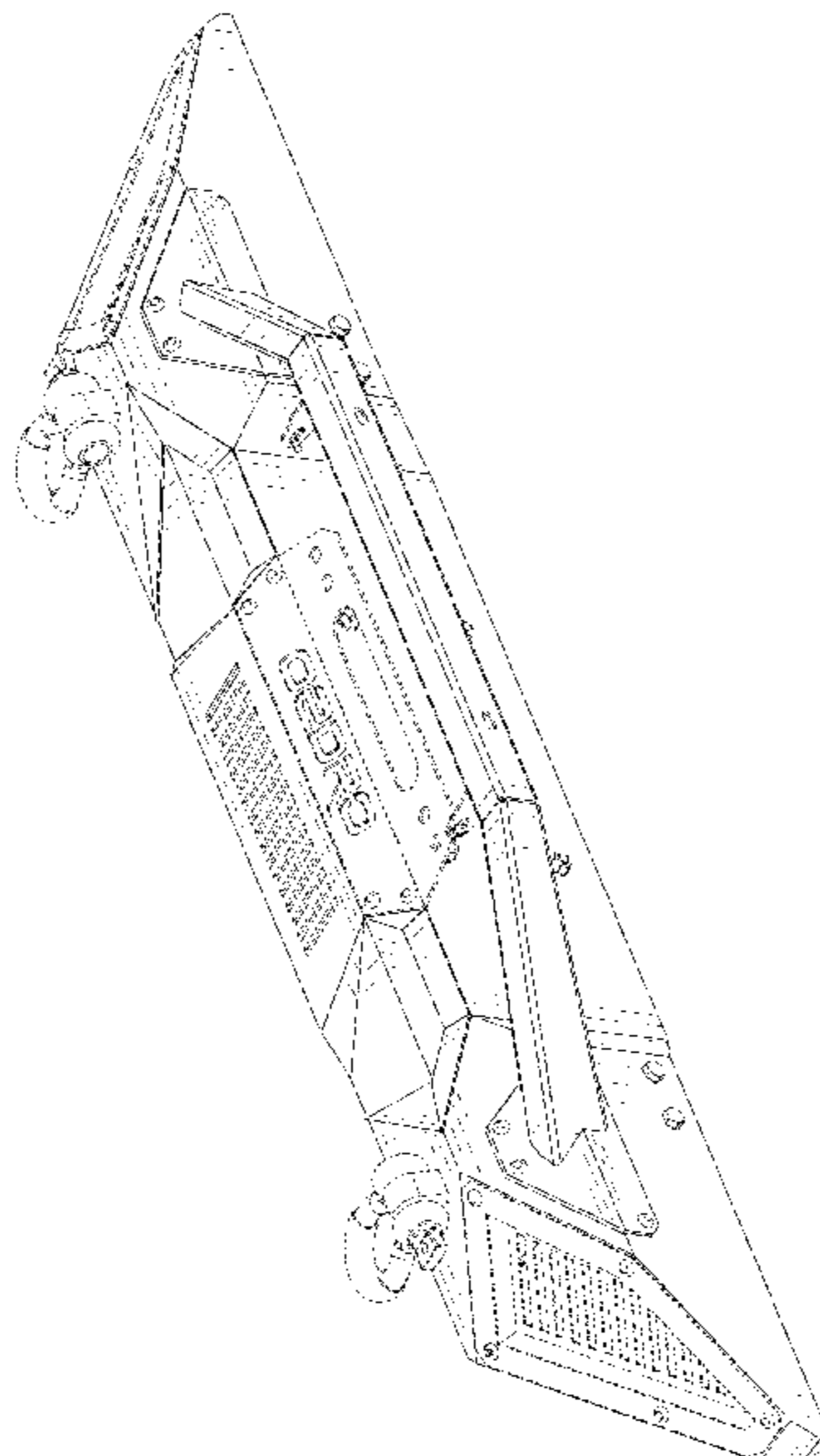
FIG. 1 is a perspective view of a front bumper for an automobile showing my new design; FIG. 2. is a rear perspective view thereof; FIG. 3 is a front elevation view thereof; FIG. 4 is a rear elevation view thereof; FIG. 5. is a top plan view thereof; FIG. 6. is a bottom plan view thereof; FIG. 7. is left elevation view thereof; and, FIG. 8. is a right elevation view thereof. The broken lines shown in the figures depict portions of the front bumper for an automobile that form no part of the claimed design.

(56) **References Cited**

U.S. PATENT DOCUMENTS

D771,537 S * 11/2016 Hare D12/171
D789,258 S * 6/2017 McMath B60R 19/12
D12/167
D792,818 S * 7/2017 McMath D12/171
D794,519 S * 8/2017 McMath D12/171
D847,051 S * 4/2019 DiCanzio D12/171
D940,015 S * 1/2022 Sprowl D12/169
D949,067 S * 4/2022 Hu D12/171
D949,068 S * 4/2022 Hu D12/171
2017/0088076 A1 * 3/2017 Fujimoto B60R 19/12

1 Claim, 7 Drawing Sheets



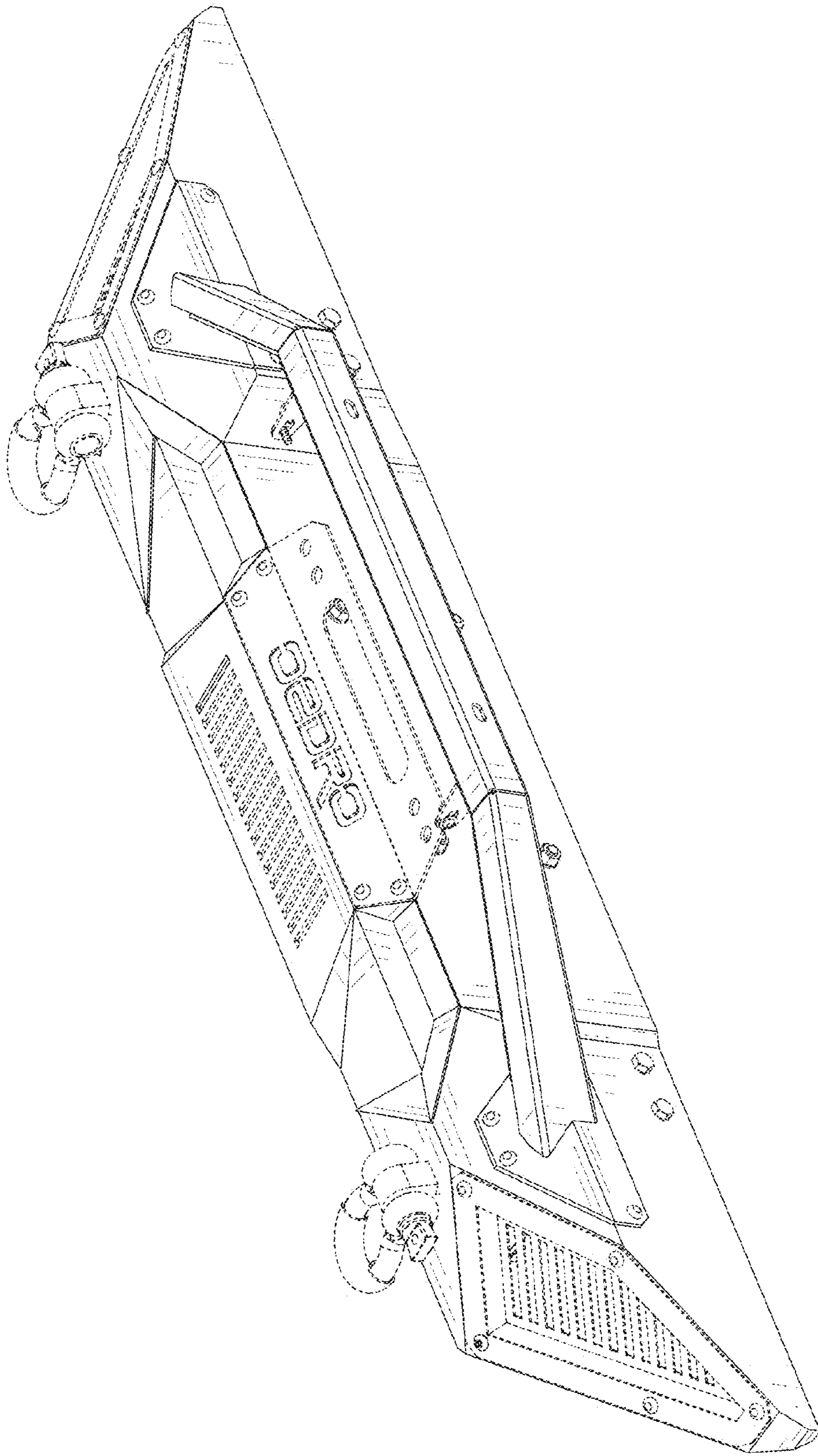


FIG.1

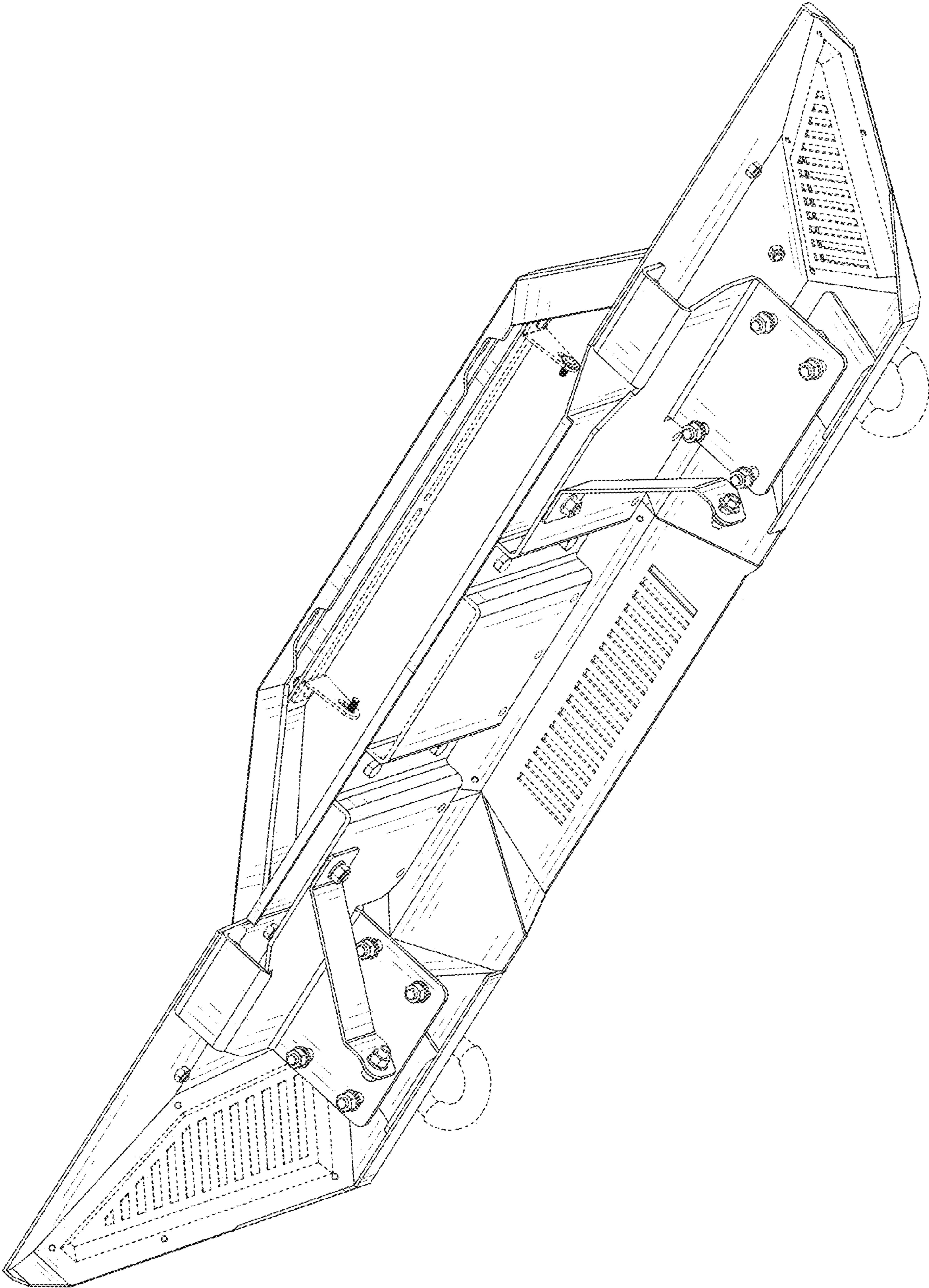


FIG.2

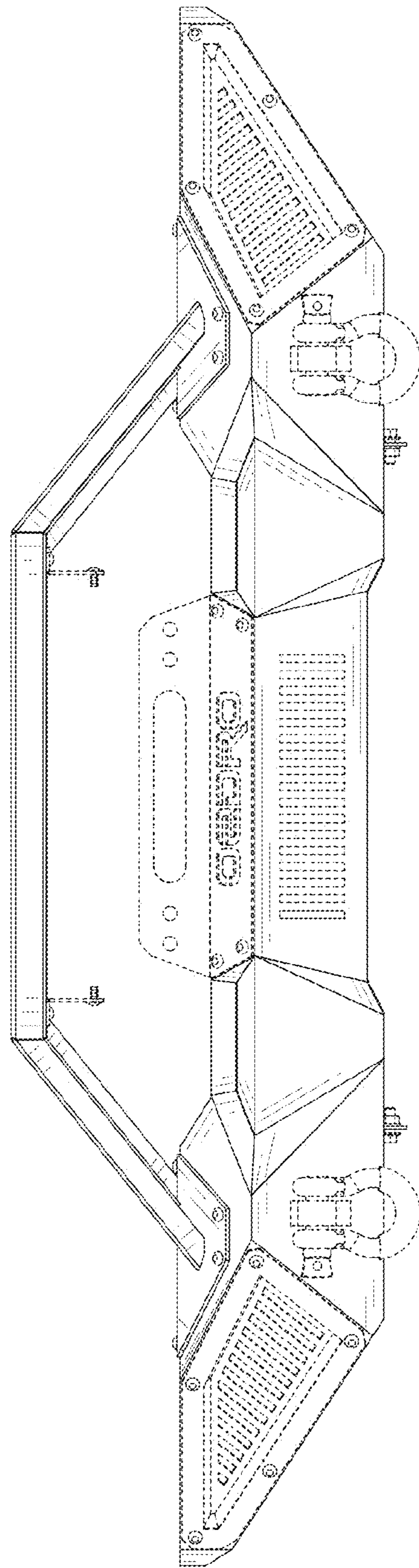


FIG.3

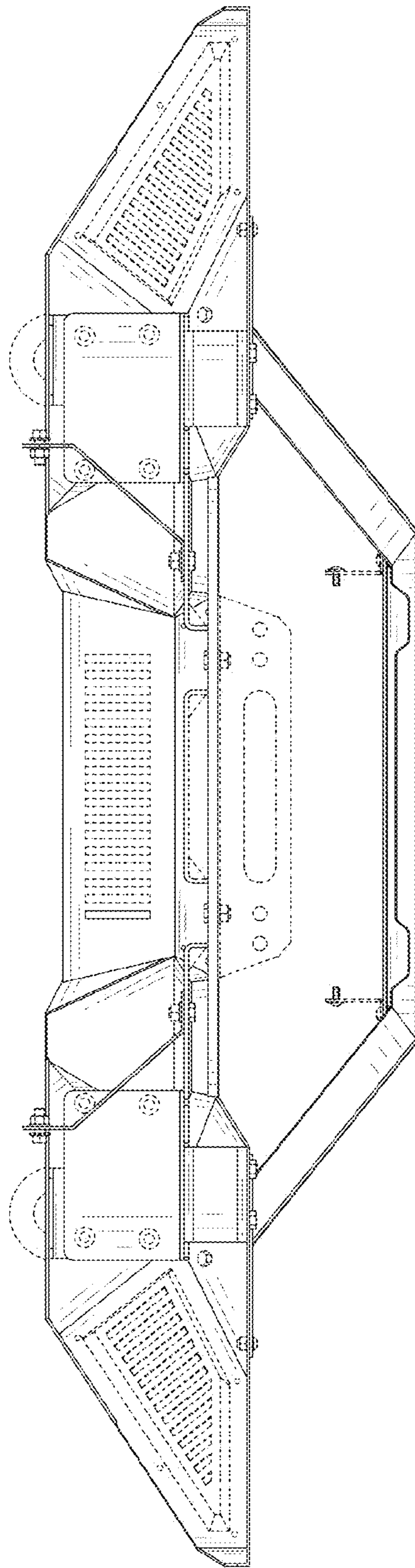


FIG.4

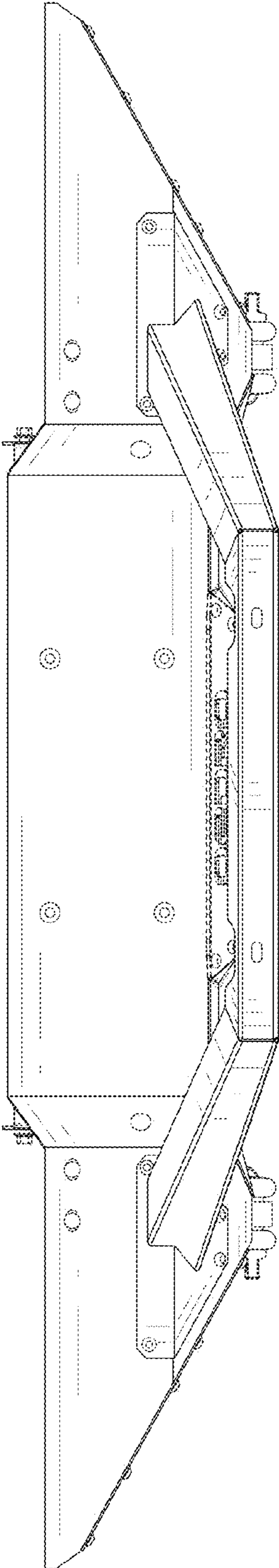


FIG.5

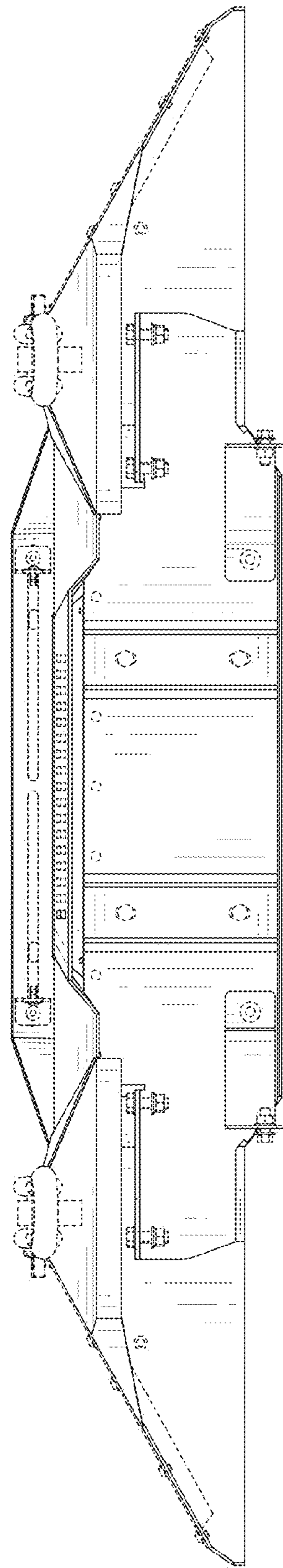


FIG.6

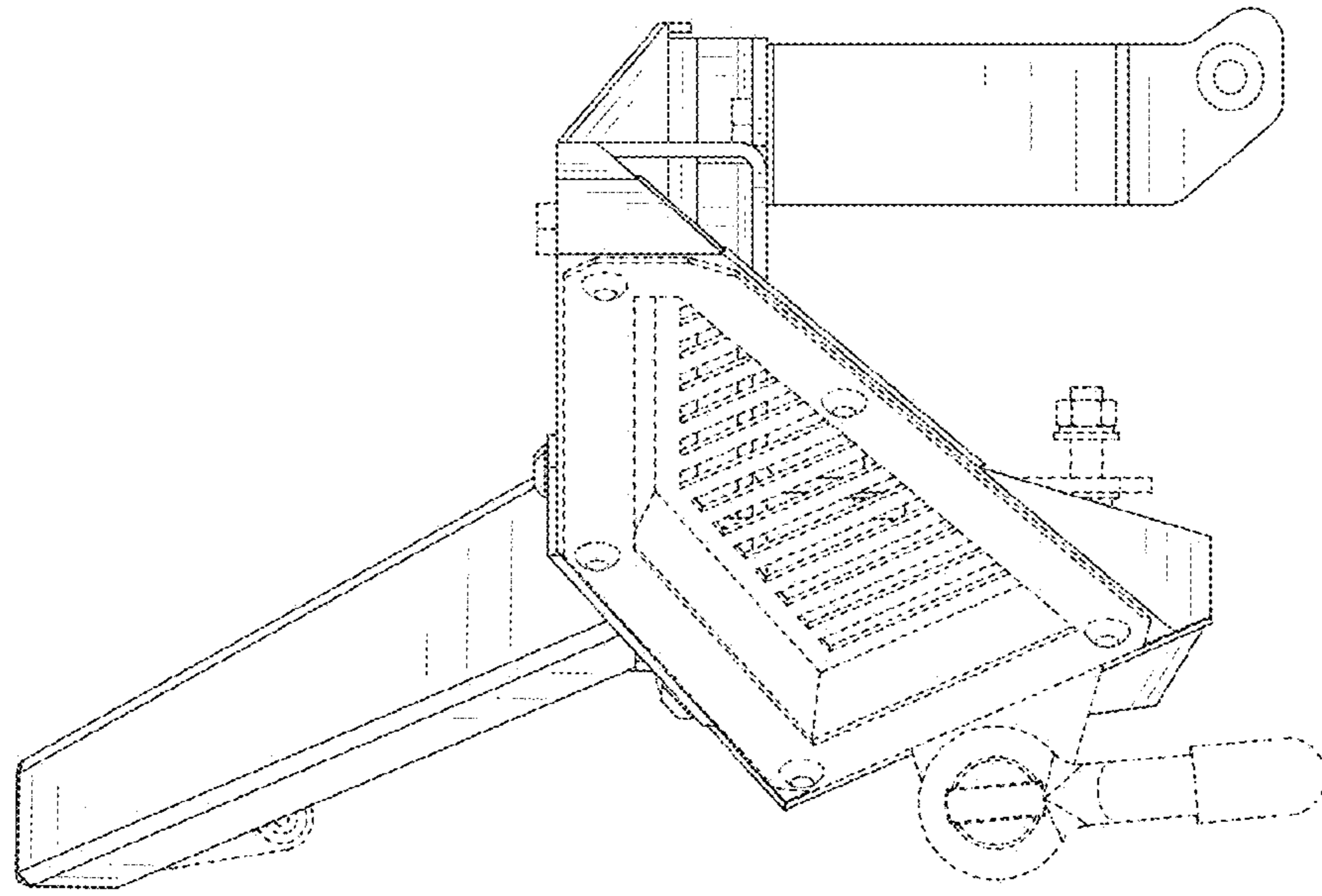


FIG.7

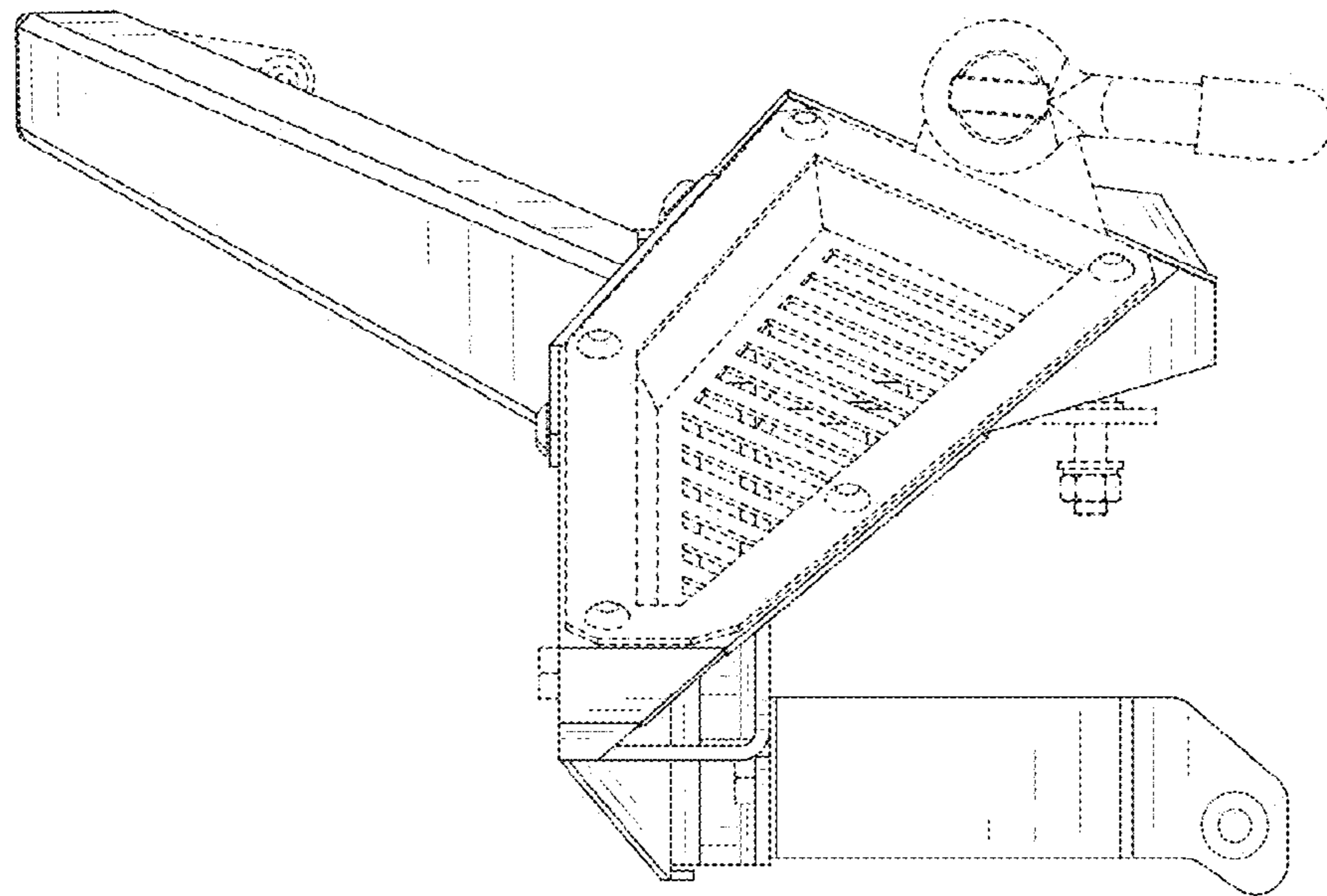


FIG.8