

US00D974249S

(12) **United States Design Patent** (10) **Patent No.:** **US D974,249 S**  
**Lim et al.** (45) **Date of Patent:** **\*\* Jan. 3, 2023**

(54) **FRONT BUMPER COVER FOR AUTOMOBILE**  
(71) Applicants: **HYUNDAI MOTOR COMPANY**, Seoul (KR); **Kia Corporation**, Seoul (KR)  
(72) Inventors: **Ju Hye Lim**, Hwaseong-si (KR); **Jong Myeong Yun**, Suwon-si (KR)  
(\*\*) Term: **15 Years**  
(21) Appl. No.: **35/513,645**  
(22) Filed: **Jan. 3, 2022**  
(80) **Hague Agreement Data**  
Int. Filing Date: **Jan. 3, 2022**  
Int. Reg. No.: **DM/218765**  
Int. Reg. Date: **Jan. 3, 2022**  
Int. Reg. Pub. Date: **Feb. 11, 2022**

(30) **Foreign Application Priority Data**  
Nov. 10, 2021 (KR) ..... 30-2021-0053518  
(51) **LOC (14) Cl.** ..... **12-16**  
(52) **U.S. Cl.**  
USPC ..... **D12/169**  
(58) **Field of Classification Search**  
USPC ..... D12/169, 196, 86, 90-92, 163, 190, 98, D12/164; 293/102, 113, 115, 117, 120, 293/193.11; 296/180.1, 180.2  
CPC ..... B60R 19/02; B60R 19/04; B62D 25/08  
See application file for complete search history.

(56) **References Cited**  
U.S. PATENT DOCUMENTS  
D840,299 S \* 2/2019 Dewitt ..... B60R 19/12 D12/169  
D847,046 S \* 4/2019 Whitla ..... D12/169

D850,994 S \* 6/2019 Dewitt ..... B60R 19/52 D12/169  
D855,504 S \* 8/2019 Lee ..... D12/169  
D859,239 S \* 9/2019 Sullivan ..... D12/169  
D874,991 S \* 2/2020 Park ..... D12/169  
D890,648 S \* 7/2020 Arias ..... B60R 19/12 D12/169  
D893,367 S \* 8/2020 Kim ..... D12/169  
D902,095 S \* 11/2020 Wietzychowski ..... D12/169  
D920,189 S \* 5/2021 Choi ..... D12/169  
D922,272 S \* 6/2021 Wraith ..... D12/169  
D930,523 S \* 9/2021 Lee ..... D12/169  
D932,390 S \* 10/2021 Sachs ..... B60R 19/52 D12/169  
D955,943 S \* 6/2022 Oh ..... B60R 19/12 D12/169  
D960,785 S \* 8/2022 Chen ..... D12/169

\* cited by examiner

*Primary Examiner* — Melody N Brown

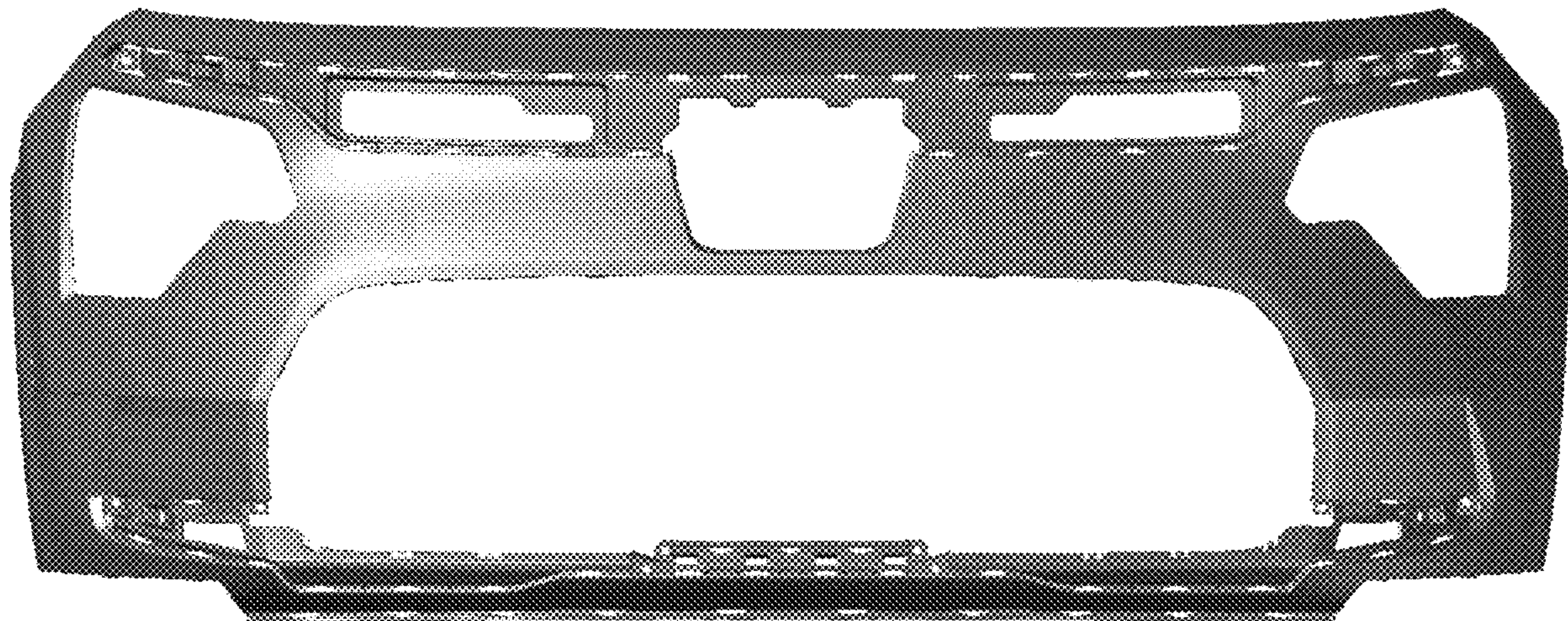
(57) **CLAIM**

The ornamental design for a front bumper cover for automobile, as shown and described.

**DESCRIPTION**

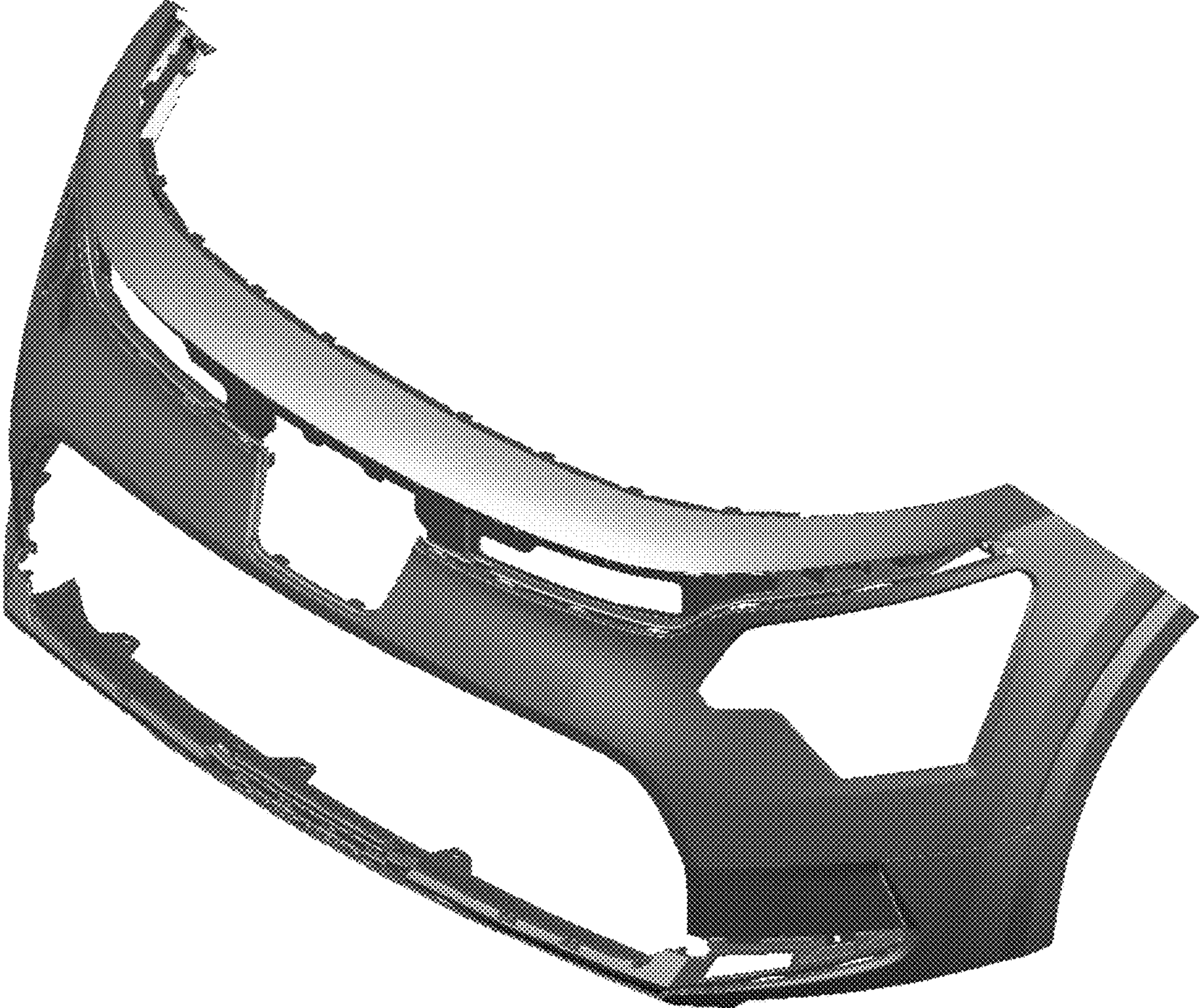
1. Front bumper cover for automobile  
1.1 is a top, front and left side perspective view of a front bumper cover for automobile showing our new design;  
1.2 is a front elevation view thereof;  
1.3 is a rear elevation view thereof;  
1.4 is a left side elevation view thereof;  
1.5 is a right side elevation view thereof;  
1.6 is a top plan view thereof;  
1.7 is a bottom plan view thereof.

**1 Claim, 7 Drawing Sheets**

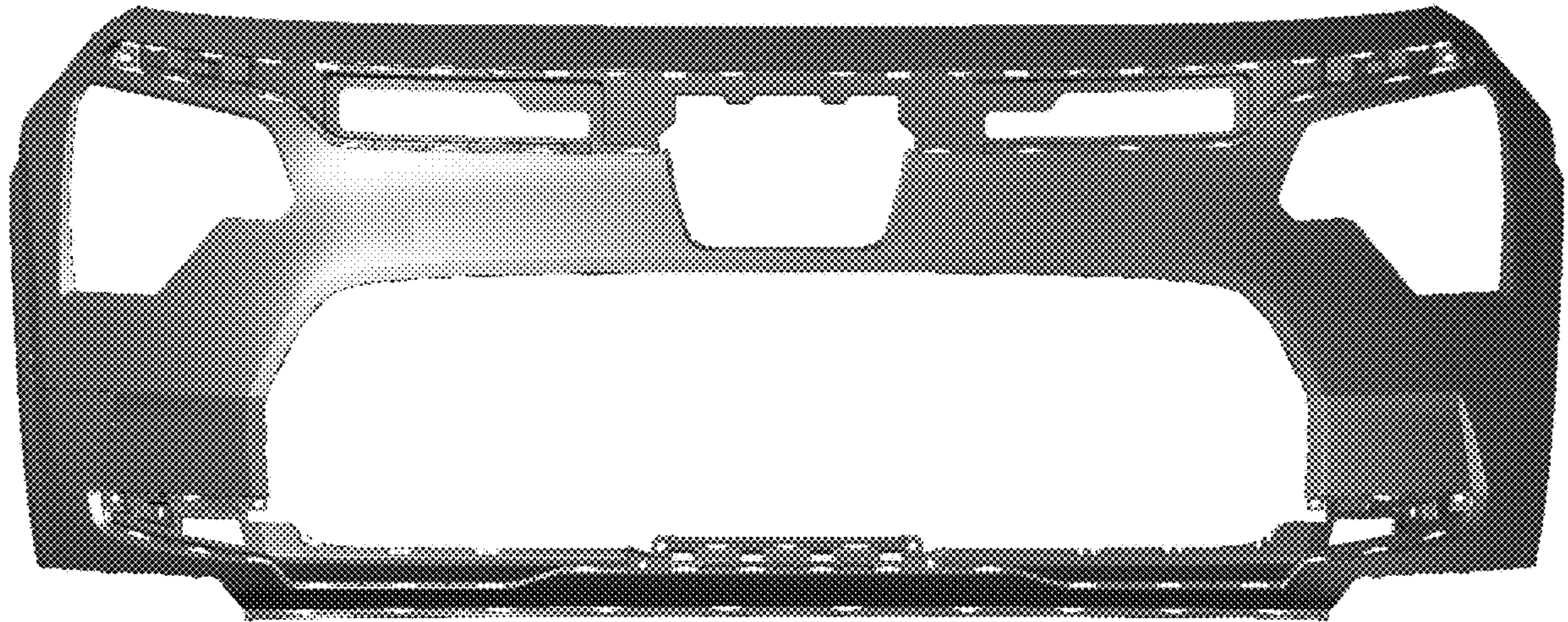




1.1

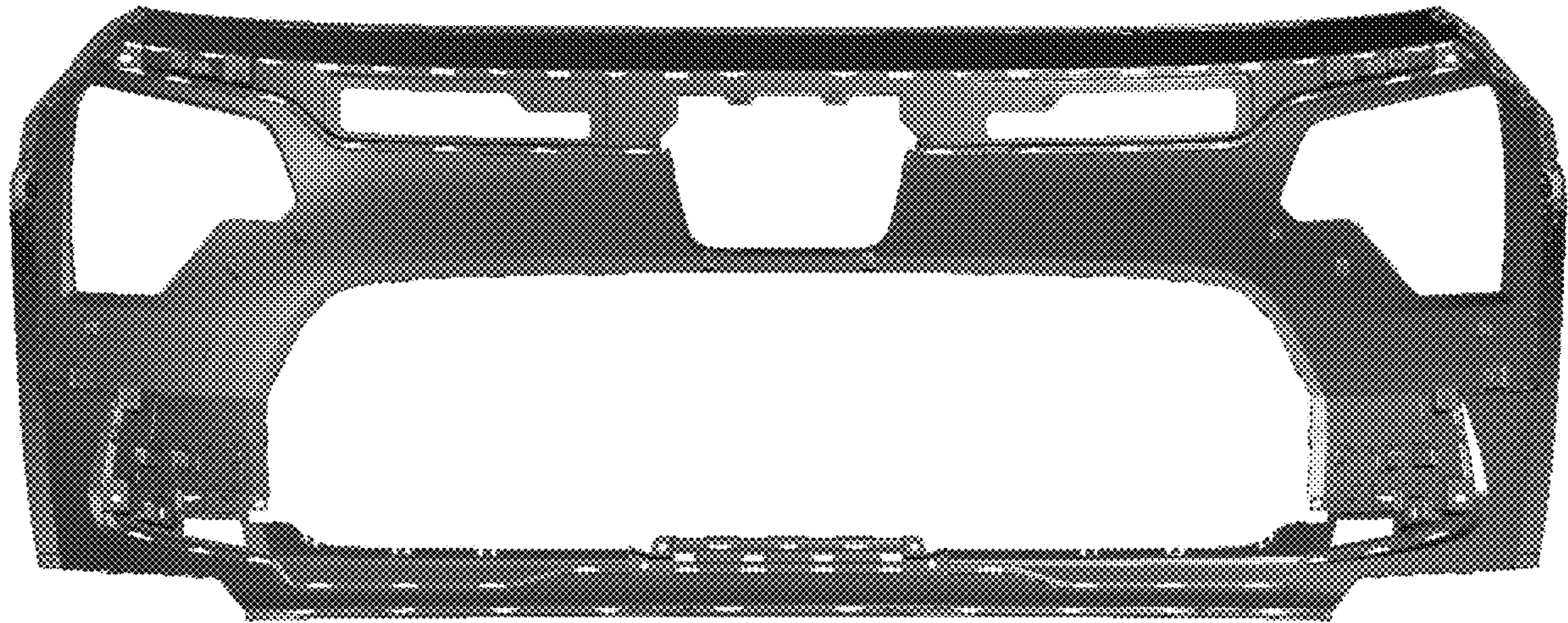


1.2

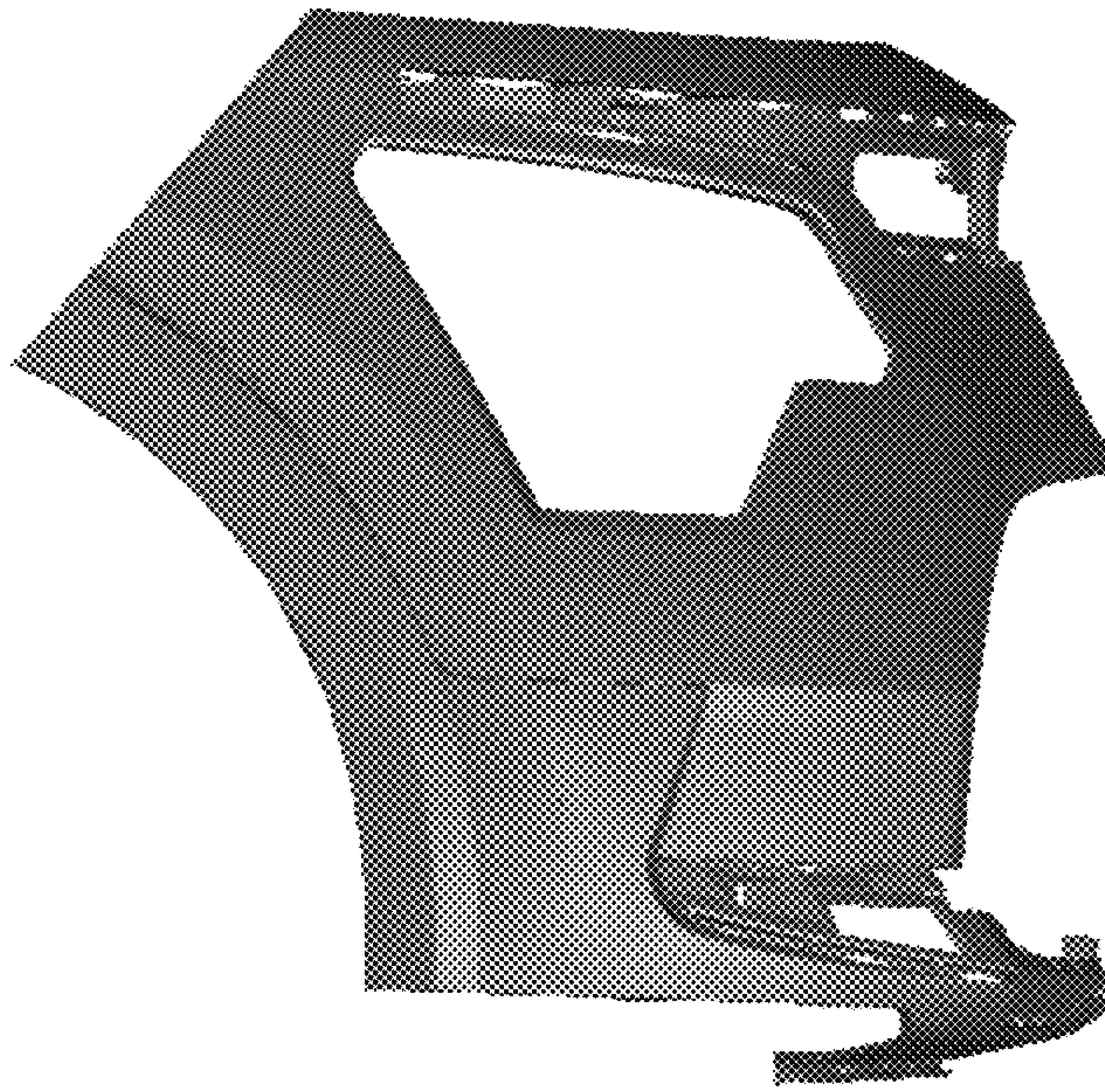




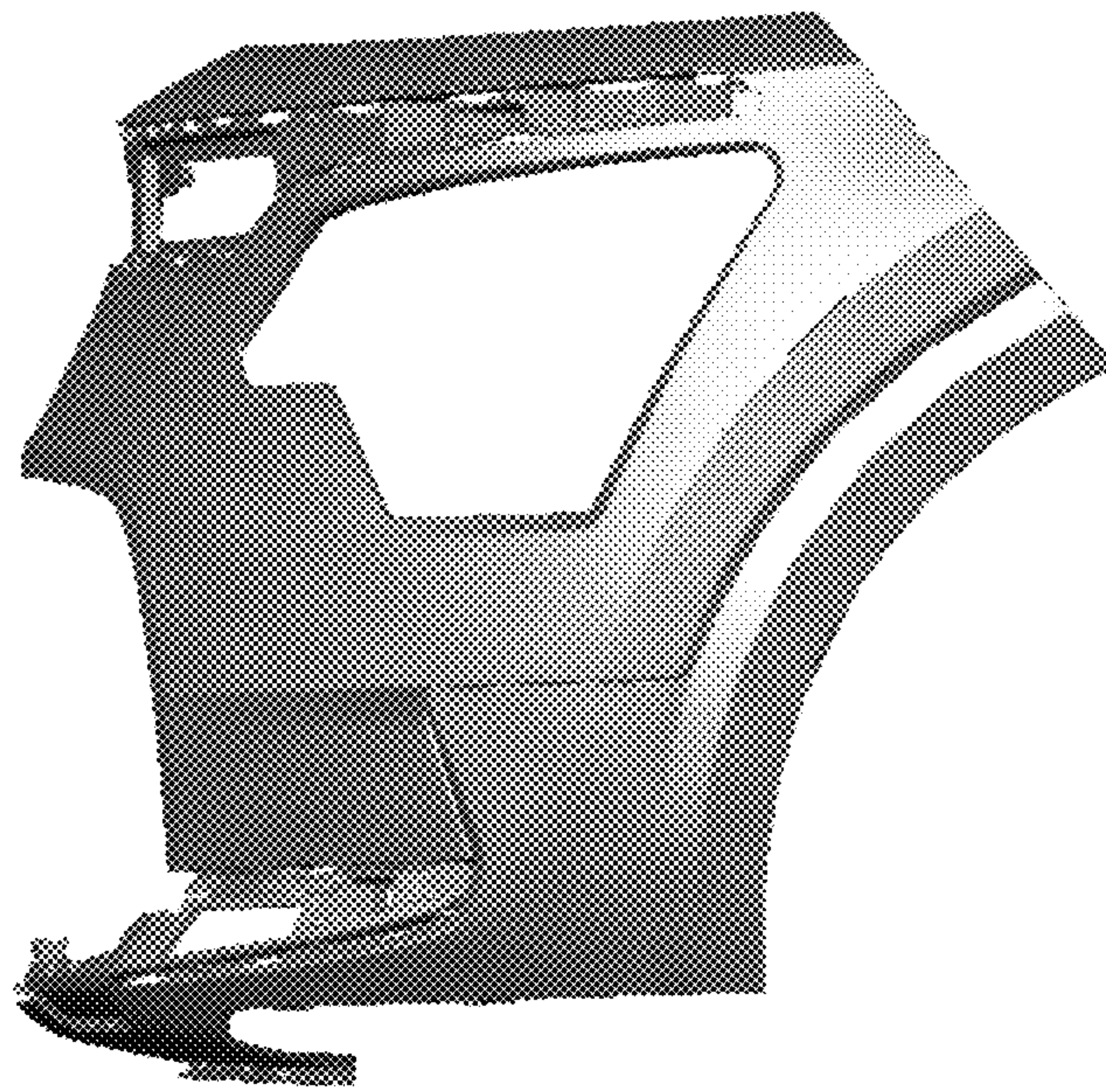
1.3



1.4

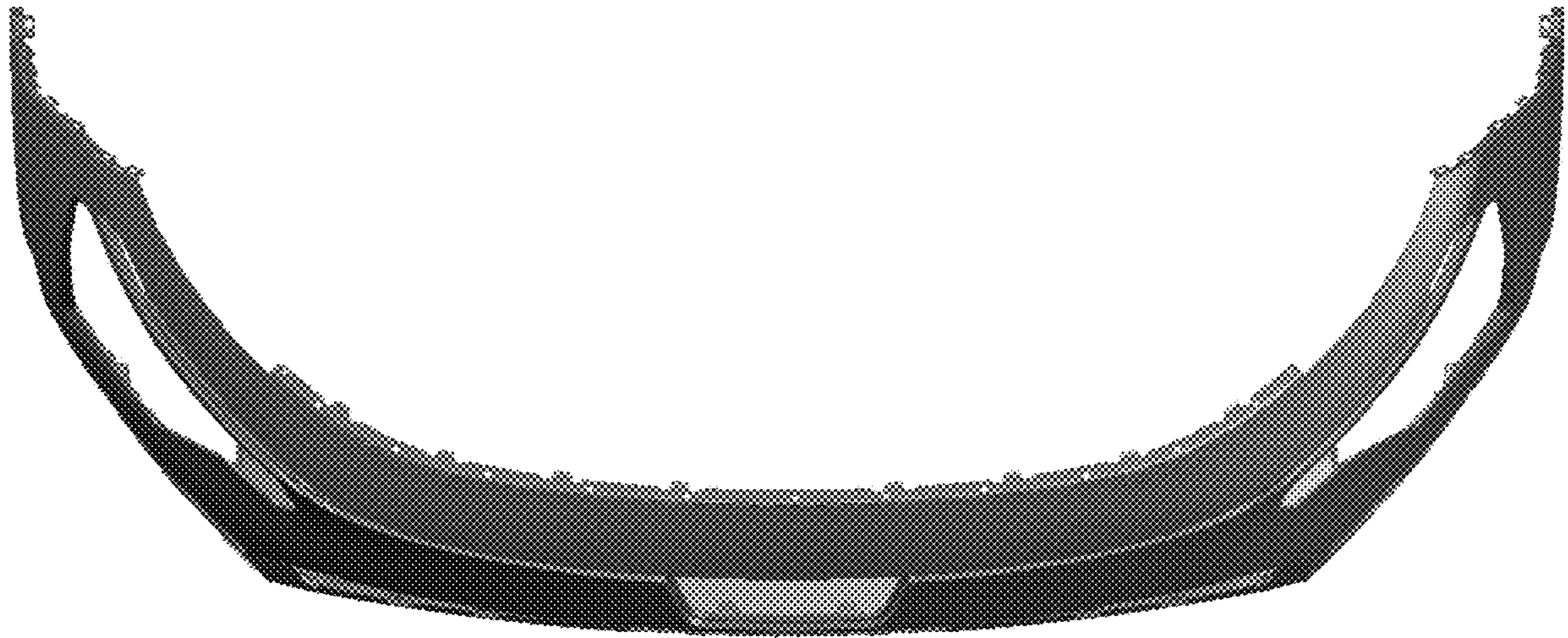


1.5





1.6



1.7

